



US00D334622S

United States Patent [19]

[11] Patent Number: **Des. 334,622**

Daniel

[45] Date of Patent: **** Apr. 6, 1993**

[54] **HOSPITAL CART FOR CARRYING IV SETUPS**

3,966,286 6/1976 Groseclose 312/258
4,588,237 5/1986 Marder 312/209
4,790,610 12/1988 Welch et al. 312/209 X

[76] Inventor: **Samuel Daniel, 3328 Bouck Ave.,
Bronx, N.Y. 10469**

Primary Examiner—Stella Reid
Assistant Examiner—I. Simmons
Attorney, Agent, or Firm—Terry M. Gernstein

[**] Term: **14 Years**

[21] Appl. No.: **564,294**

[57] **CLAIM**

[22] Filed: **Aug. 8, 1990**

The ornamental design for a hospital cart for carrying IV setups, as shown and described.

[52] U.S. Cl. **D24/185; D24/177**

[58] Field of Search **D24/177, 183, 185;
128/760; 312/209, 246, 249, 262**

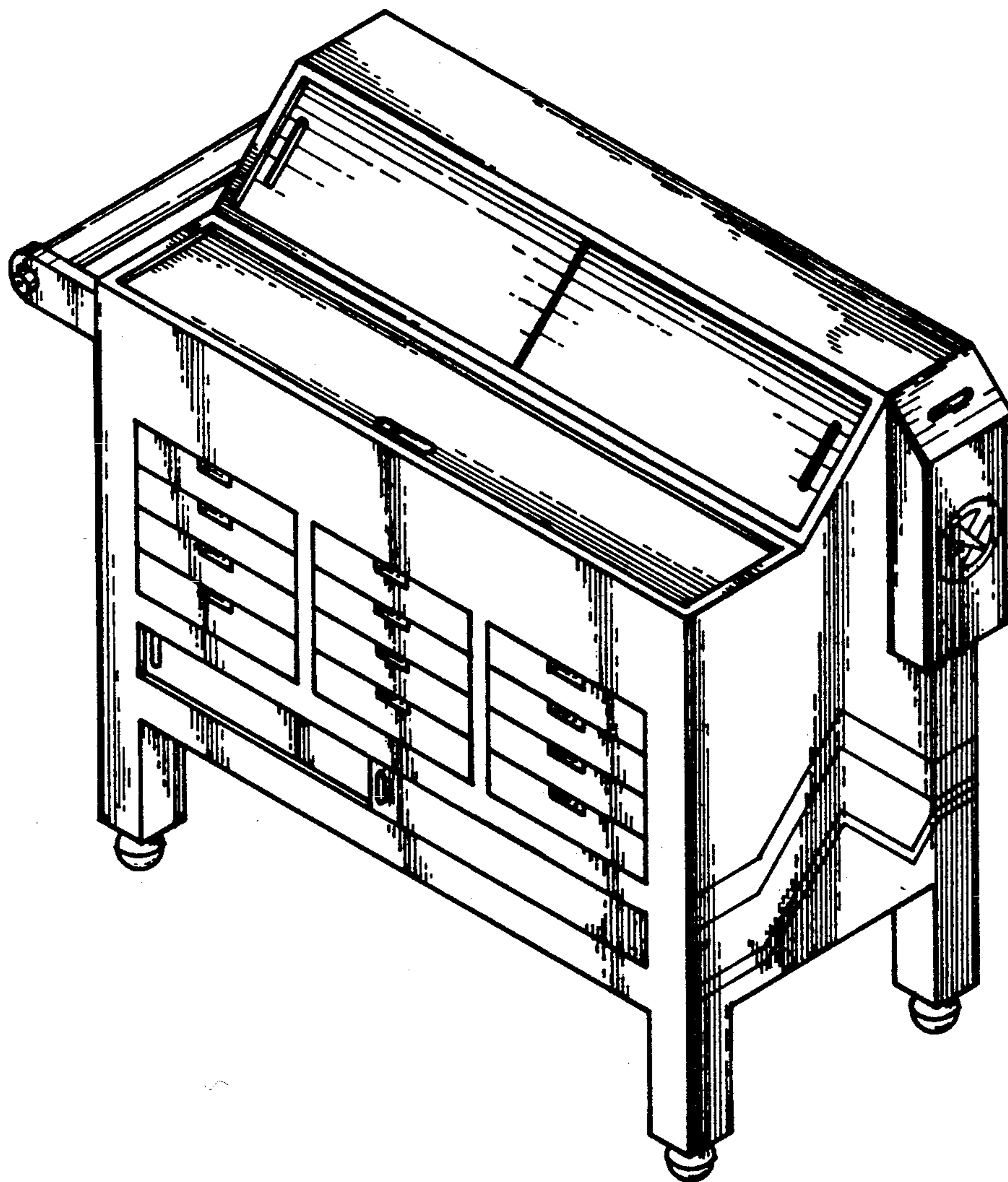
DESCRIPTION

[56] **References Cited**

U.S. PATENT DOCUMENTS

- D. 190,902 7/1961 Brewer .
- D. 233,511 11/1974 Condon D24/185
- D. 240,629 7/1976 Cope D24/183 X
- D. 263,995 4/1982 Steele D24/185
- D. 277,708 2/1985 Becker D24/185 X
- D. 304,075 10/1989 Welch D24/185

FIG. 1 is a perspective view of a hospital cart for carrying IV setups, showing my new design;
FIG. 2 is a front elevational view thereof;
FIG. 3 is a rear elevational view thereof;
FIG. 4 is a side elevational view thereof;
FIG. 5 is a side elevational view thereof opposite that show in FIG. 4;
FIG. 6 is a top plan view thereof; and,
FIG. 7 is a bottom plan view thereof.



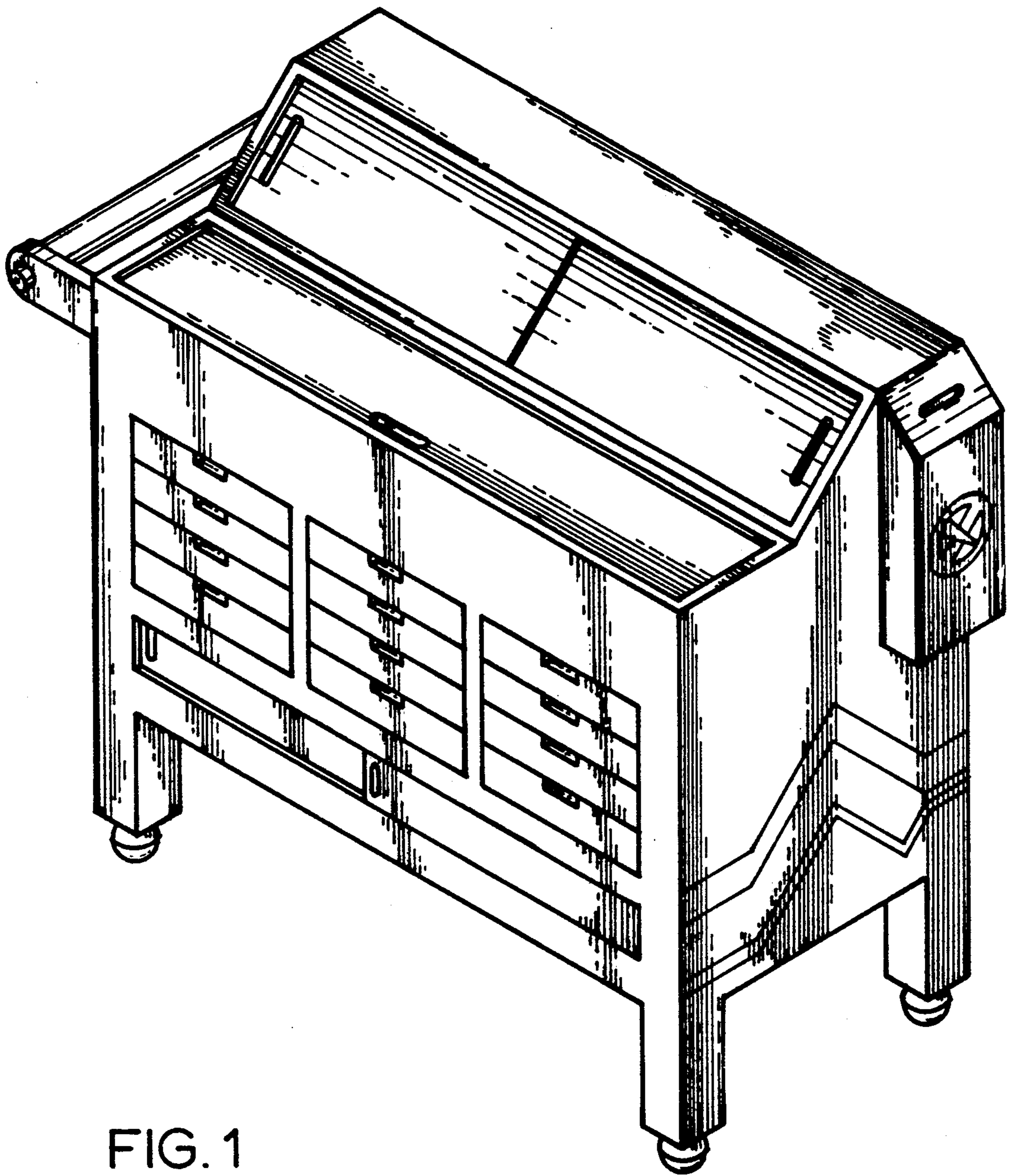


FIG. 1

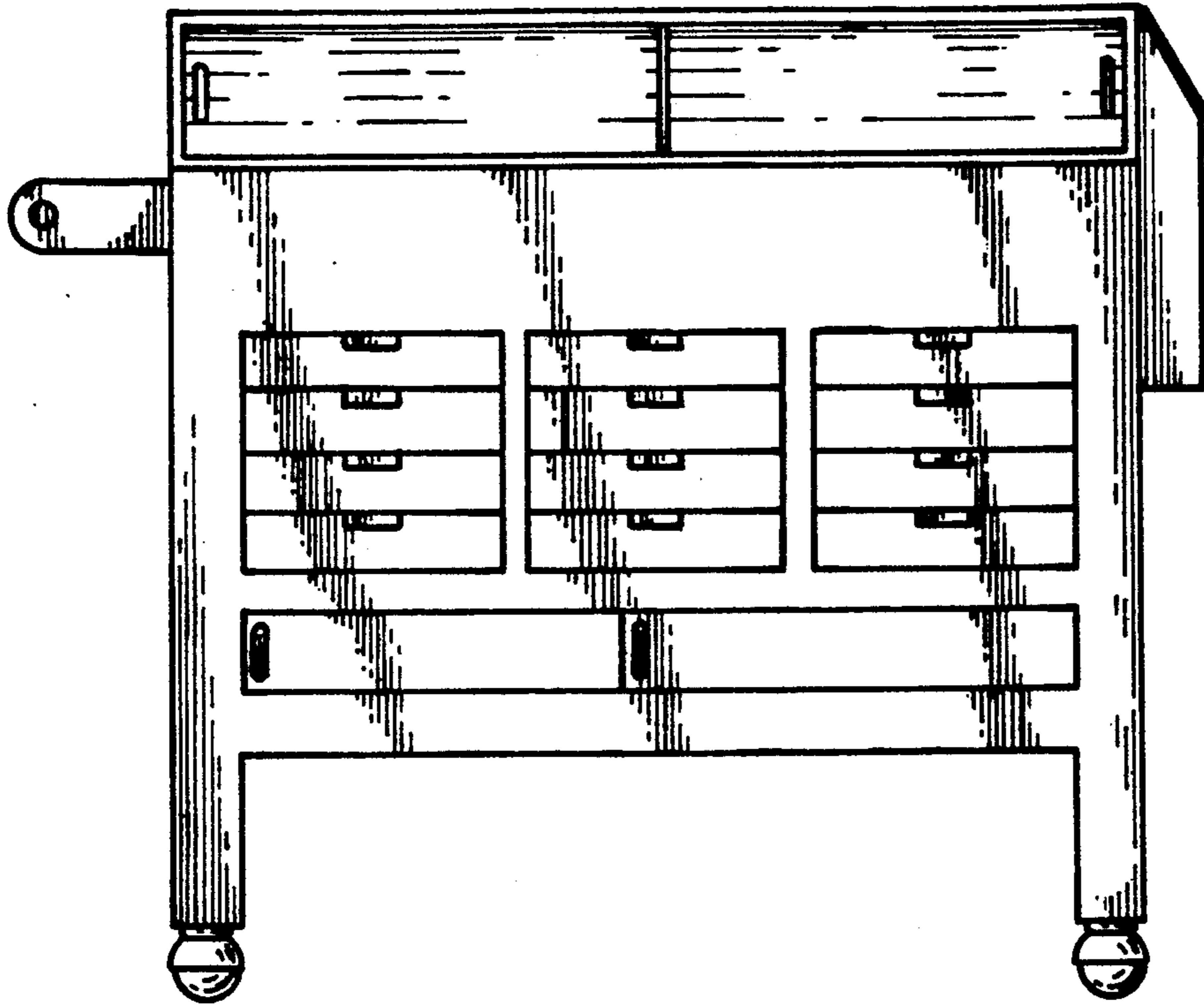


FIG. 2

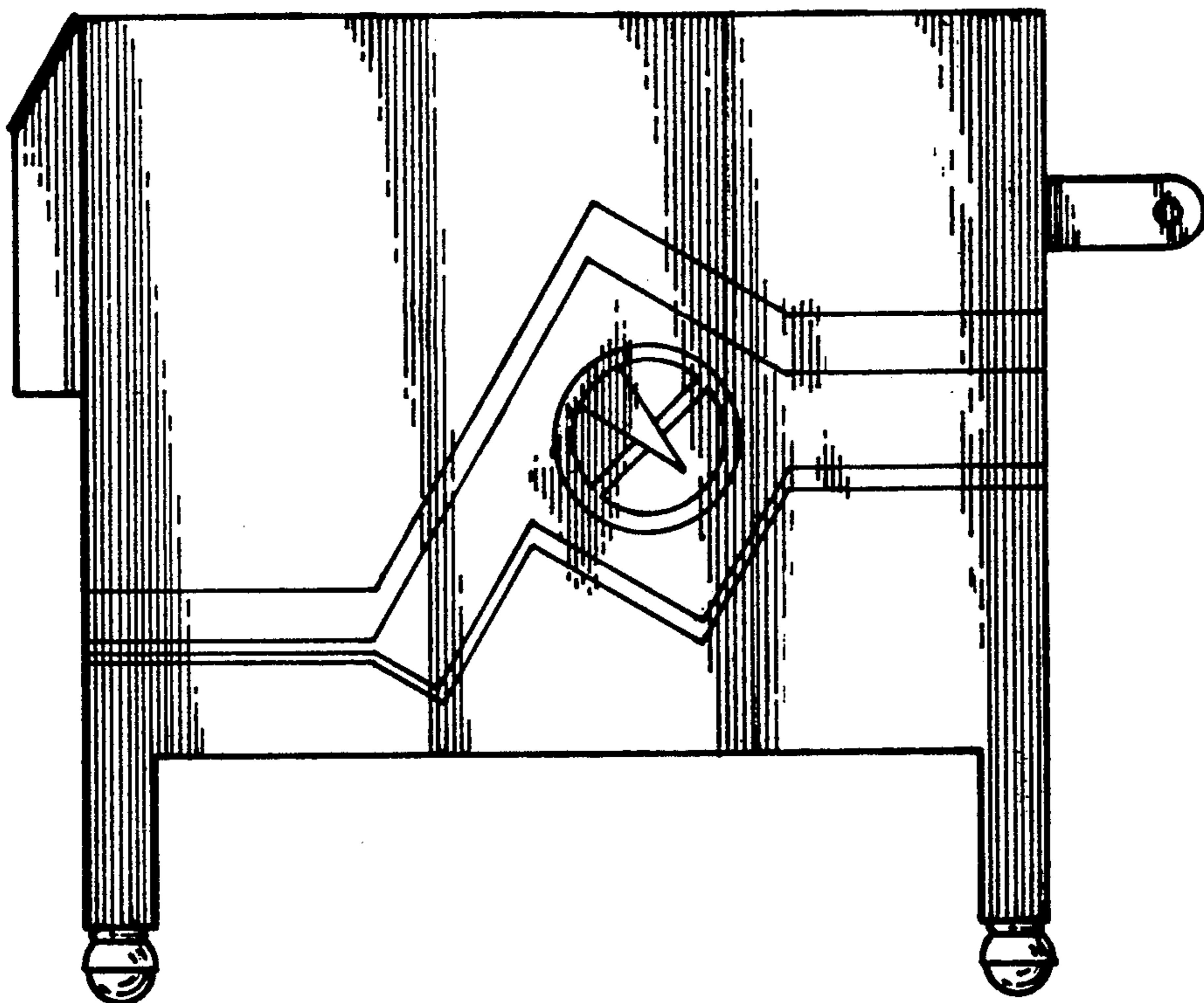


FIG. 3

FIG. 4

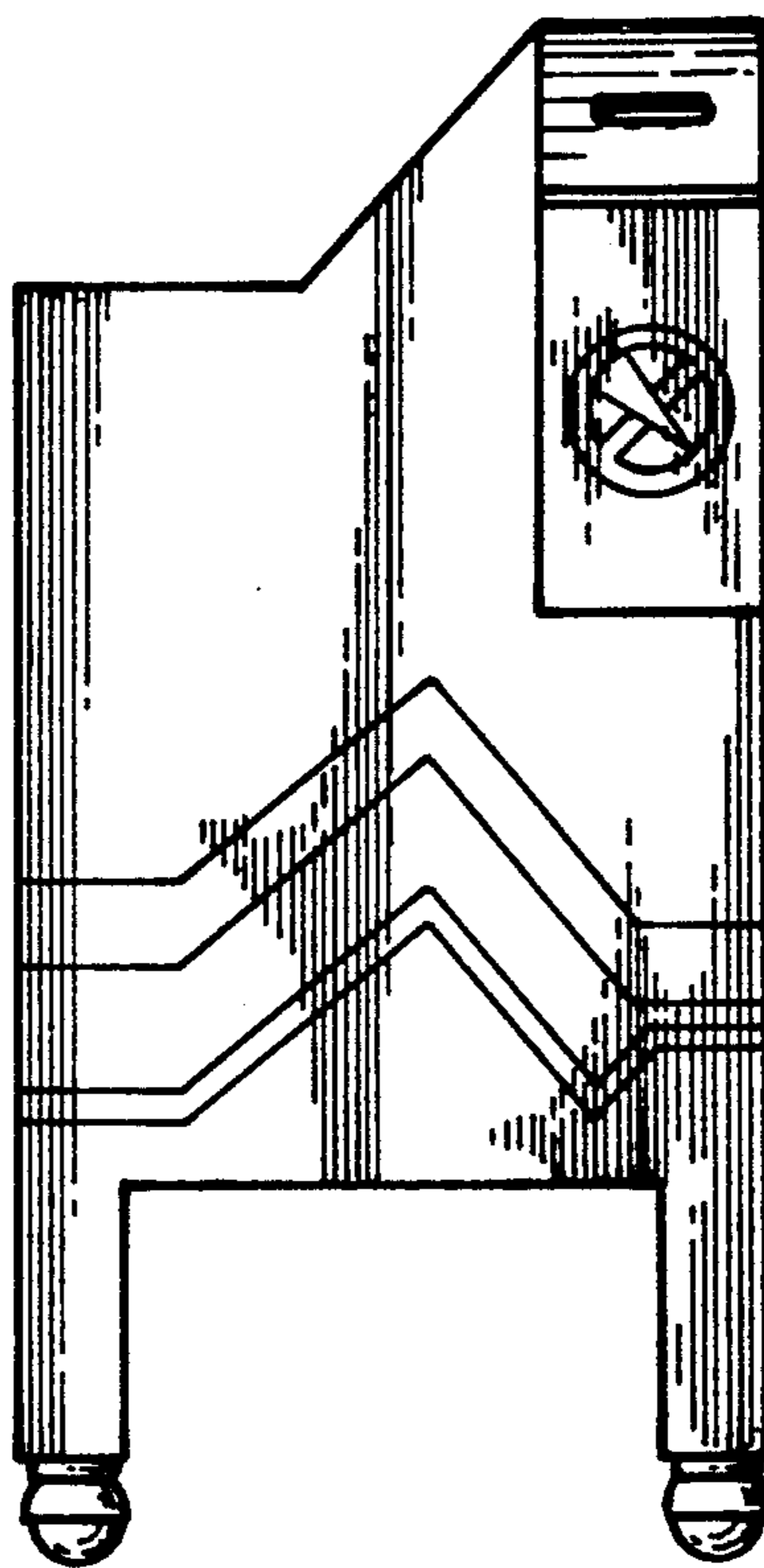
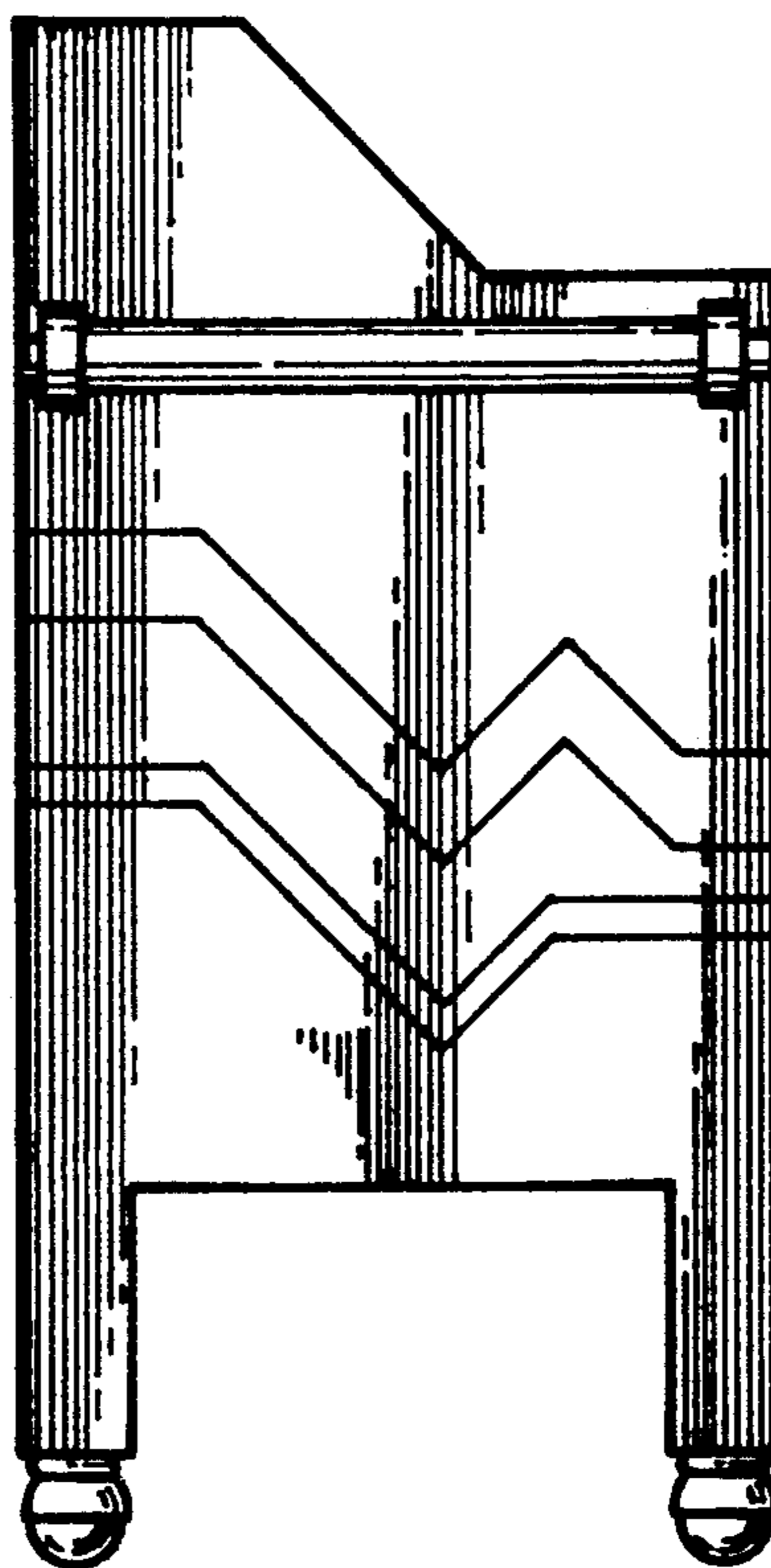


FIG. 5



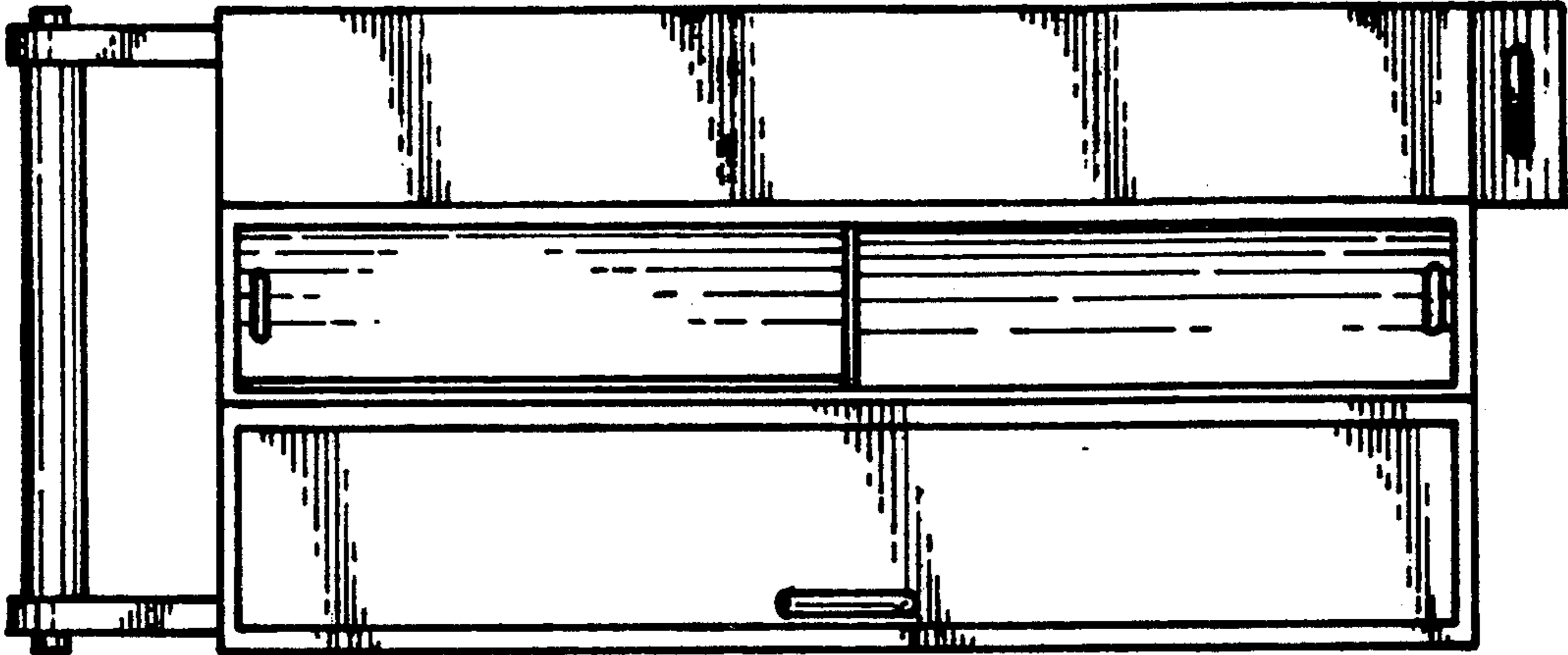


FIG. 6

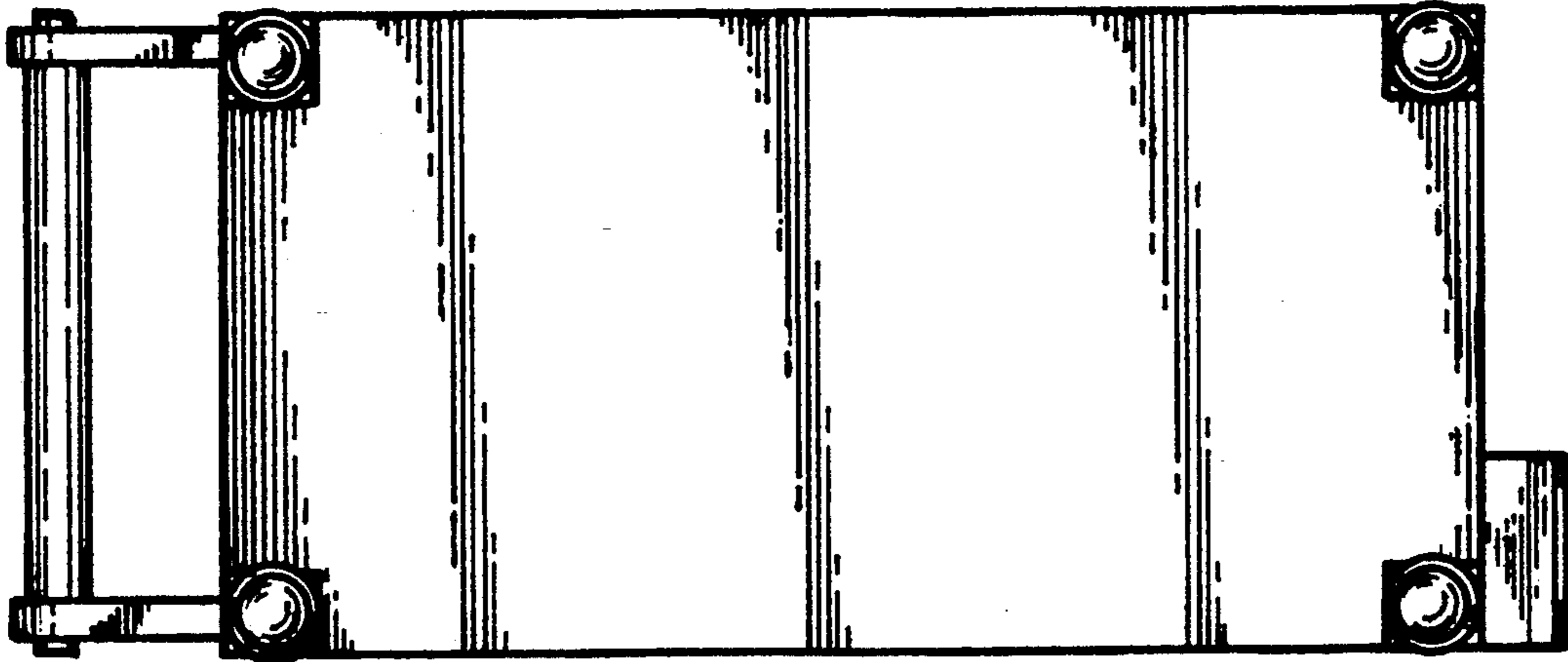


FIG. 7