



US00D334621S

United States Patent [19]
Pope

[11] **Patent Number: Des. 334,621**
[45] **Date of Patent: ** Apr. 6, 1993**

[54] **X-RAY MARKING INSTRUMENT**
[76] **Inventor: Michael J. Pope, 1304 E. Main St., Troy, Ohio 45373**
[**] **Term: 14 Years**
[21] **Appl. No.: 631,784**
[22] **Filed: Dec. 21, 1990**
[52] **U.S. Cl. D24/158; 33/1 SB**
[58] **Field of Search D24/158; 378/164, 163, 378/165, 162, 205, 21; 604/362, 180, 116; 33/1, 1 SB; D10/46, 61, 64, 71, 73**

4,543,091 9/1985 Froning et al. 604/116

Primary Examiner—Stella Reid
Attorney, Agent, or Firm—Jacox & Meckstroth

[57] **CLAIM**

The ornamental design for an X-ray marking instrument, as shown and described.

DESCRIPTION

FIG. 1 is a perspective view of an X-ray marking instrument showing my new design;
FIG. 2 is a top plan view thereof;
FIG. 3 is a bottom plan view thereof;
FIG. 4 is a side elevational view thereof, the opposite side elevational view being a mirror image; and,
FIG. 5 is an end elevational view thereof, the opposite end elevational view being a mirror image.

[56] **References Cited**
U.S. PATENT DOCUMENTS
4,127,774 11/1978 Gillen 378/165
4,426,723 1/1984 Rouse 378/165

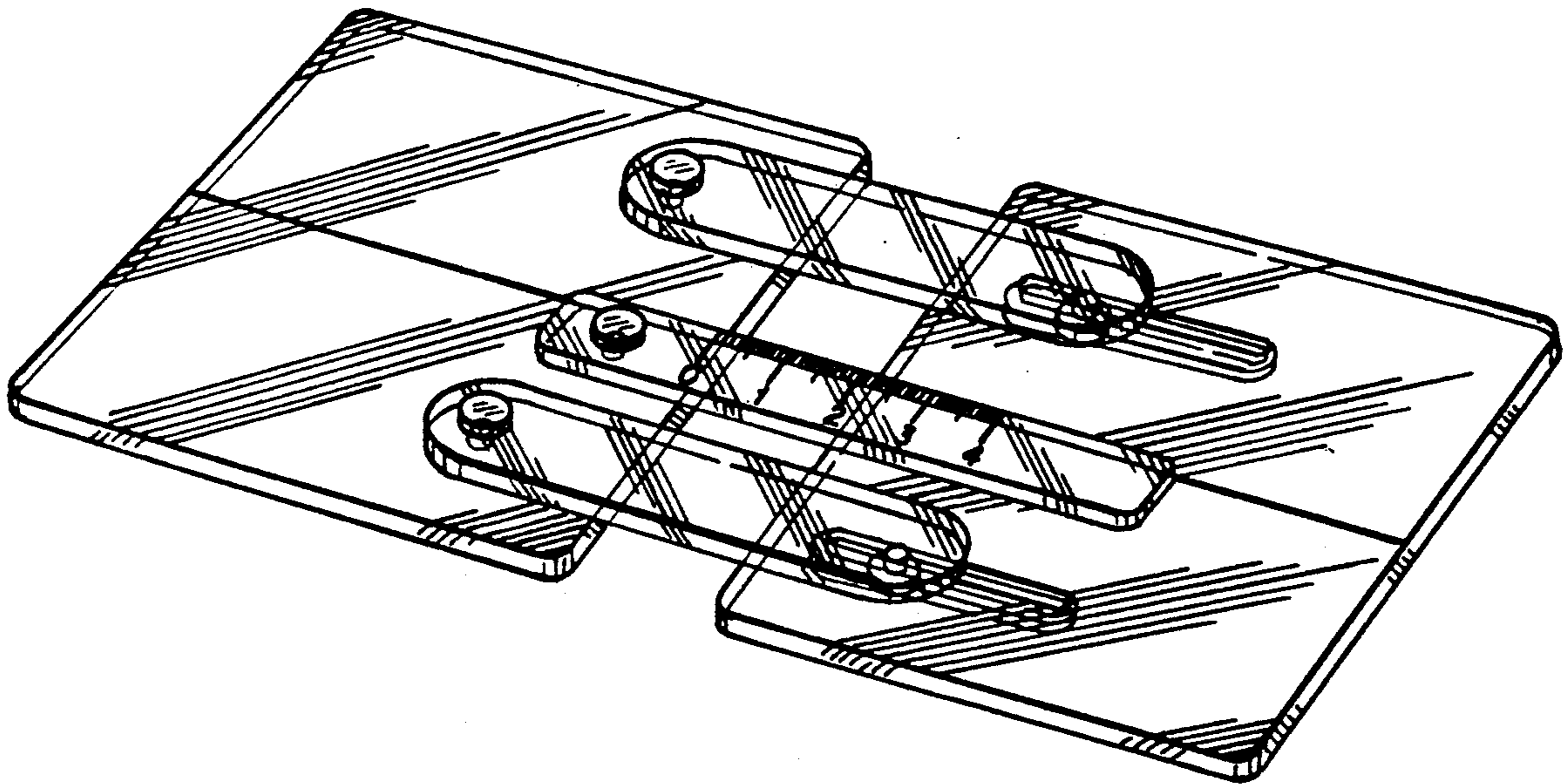


FIG-1

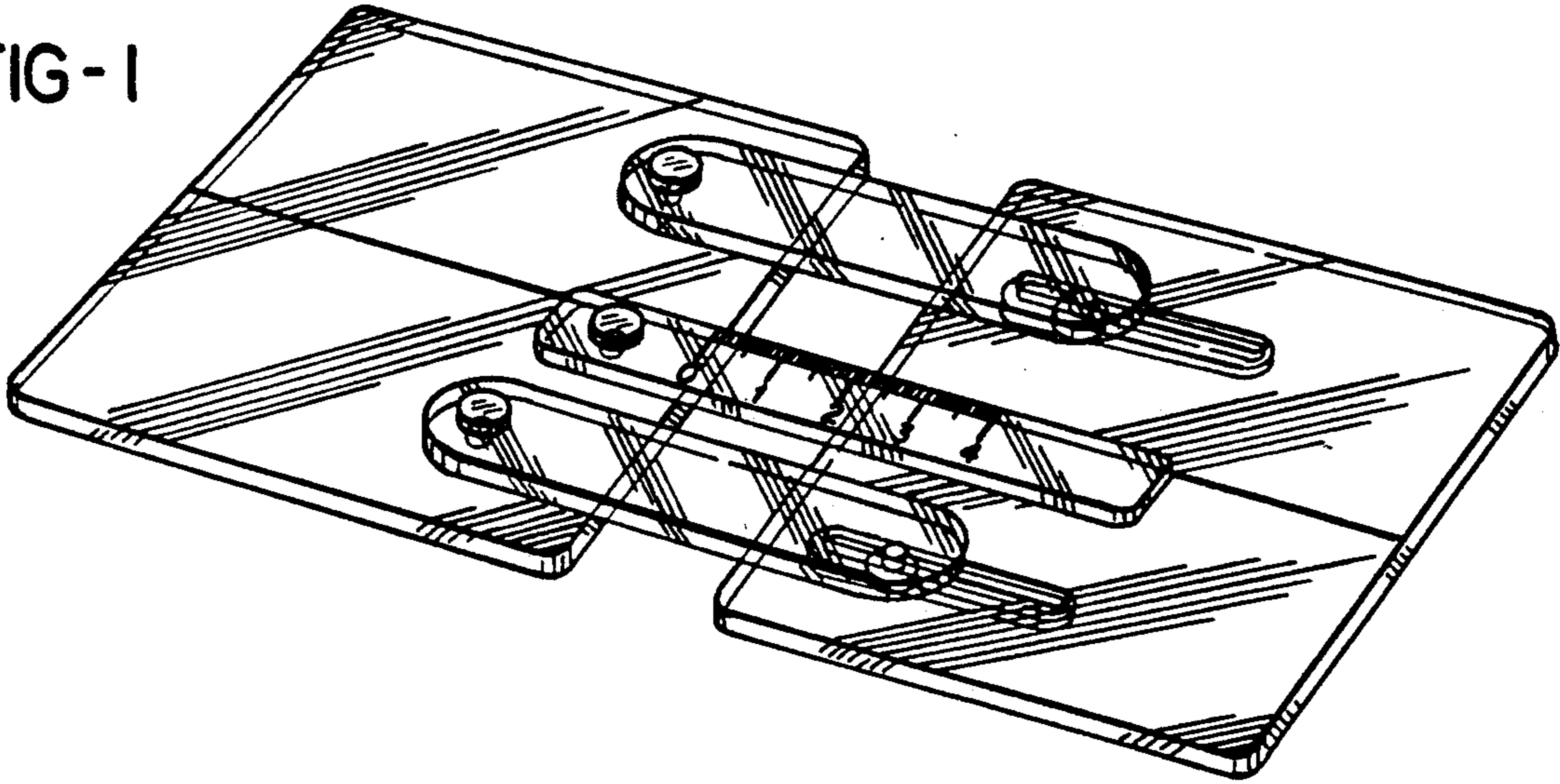


FIG-2

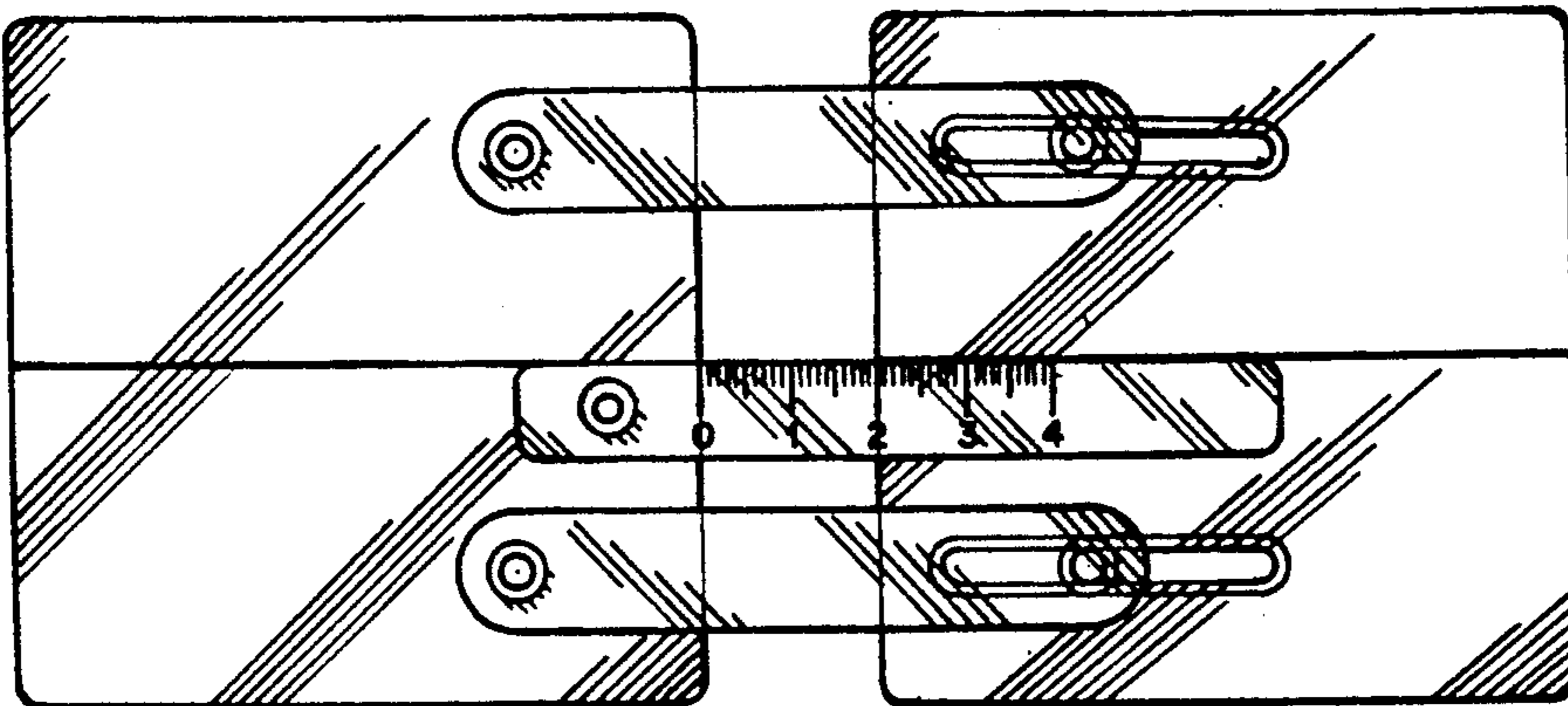


FIG-3

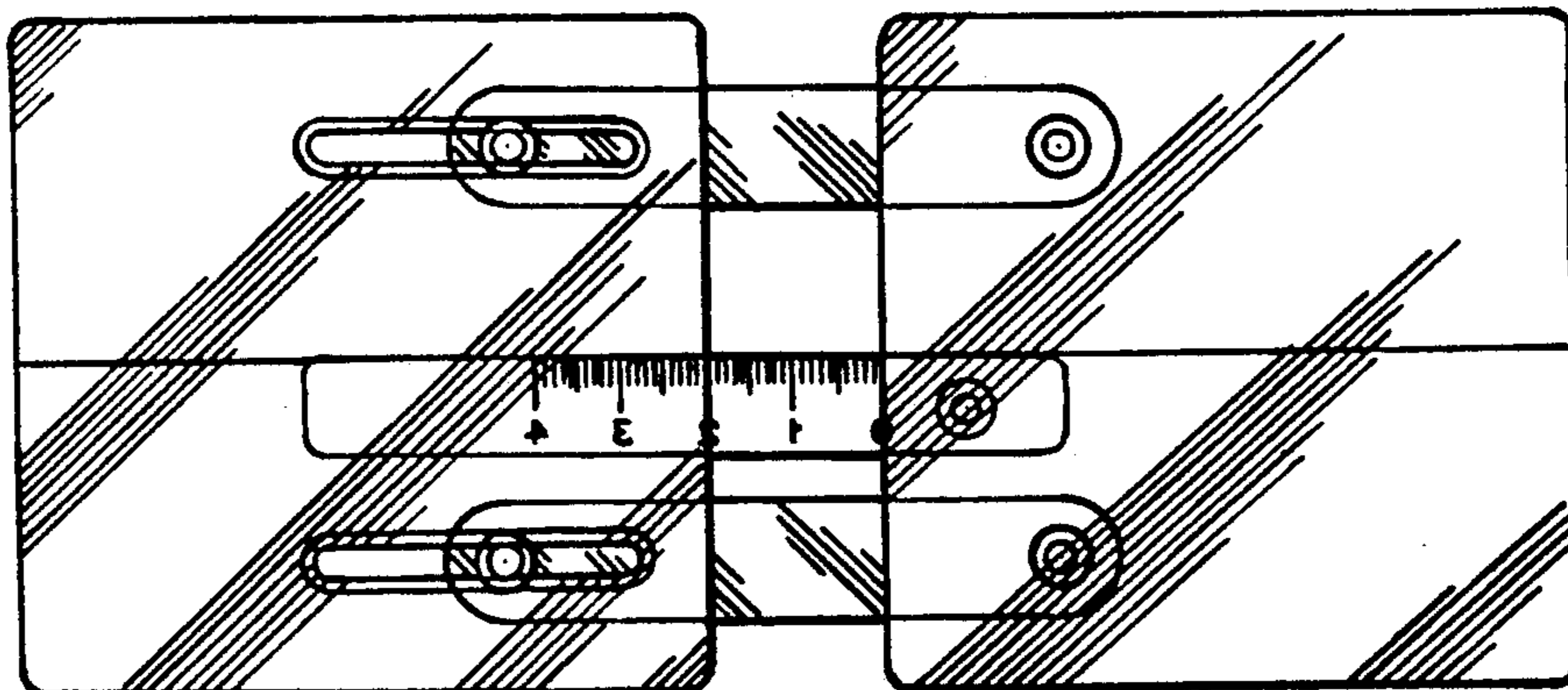


FIG-4



FIG-5

