



US00D334618S

United States Patent [19]

[11] Patent Number: **Des. 334,618**

Gilderleeve

[45] Date of Patent: **** Apr. 6, 1993**

[54] FAN HEATER

D. 328,122 7/1992 Gildersleeve et al. D23/370

[75] Inventor: Paul Gilderleeve, Ridgefield, Conn.

Primary Examiner—James M. Gandy

[73] Assignee: Black & Decker Inc., Newark, Del.

Assistant Examiner—Lisa Lichtenstein

[**] Term: 14 Years

Attorney, Agent, or Firm—Barry E. Deutsch

[21] Appl. No.: 875,109

[57] CLAIM

[22] Filed: Apr. 28, 1992

The ornamental design for a fan heater, as shown and described.

[52] U.S. Cl. D23/328; D23/370

DESCRIPTION

[58] Field of Search D23/328, 370, 335-337, D23/382, 411, 412; 416/247, 95; D12/214; 392/365-369

FIG. 1 is a front, right and top perspective view of a fan heater showing my new design;

FIG. 2 is a front elevational view thereof;

FIG. 3 is a bottom plan view thereof;

FIG. 4 is a top plan view thereof;

FIG. 5 is a right side elevational view thereof, with the left side being a mirror image; and,

FIG. 6 is a rear elevational view thereof.

[56]

References Cited

U.S. PATENT DOCUMENTS

D. 286,428 10/1986 Liu D23/335
D. 313,583 1/1991 Panyik D12/214

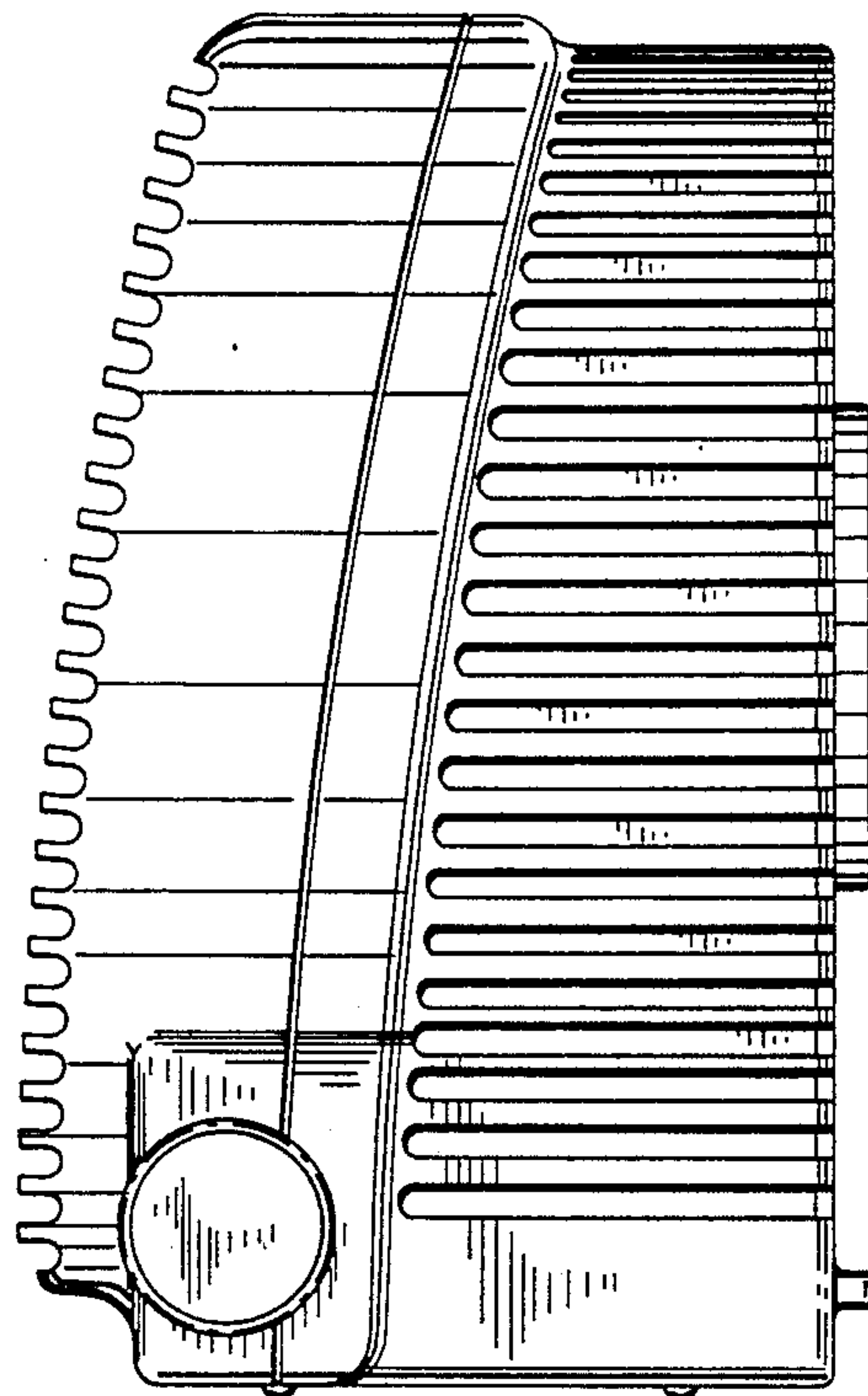
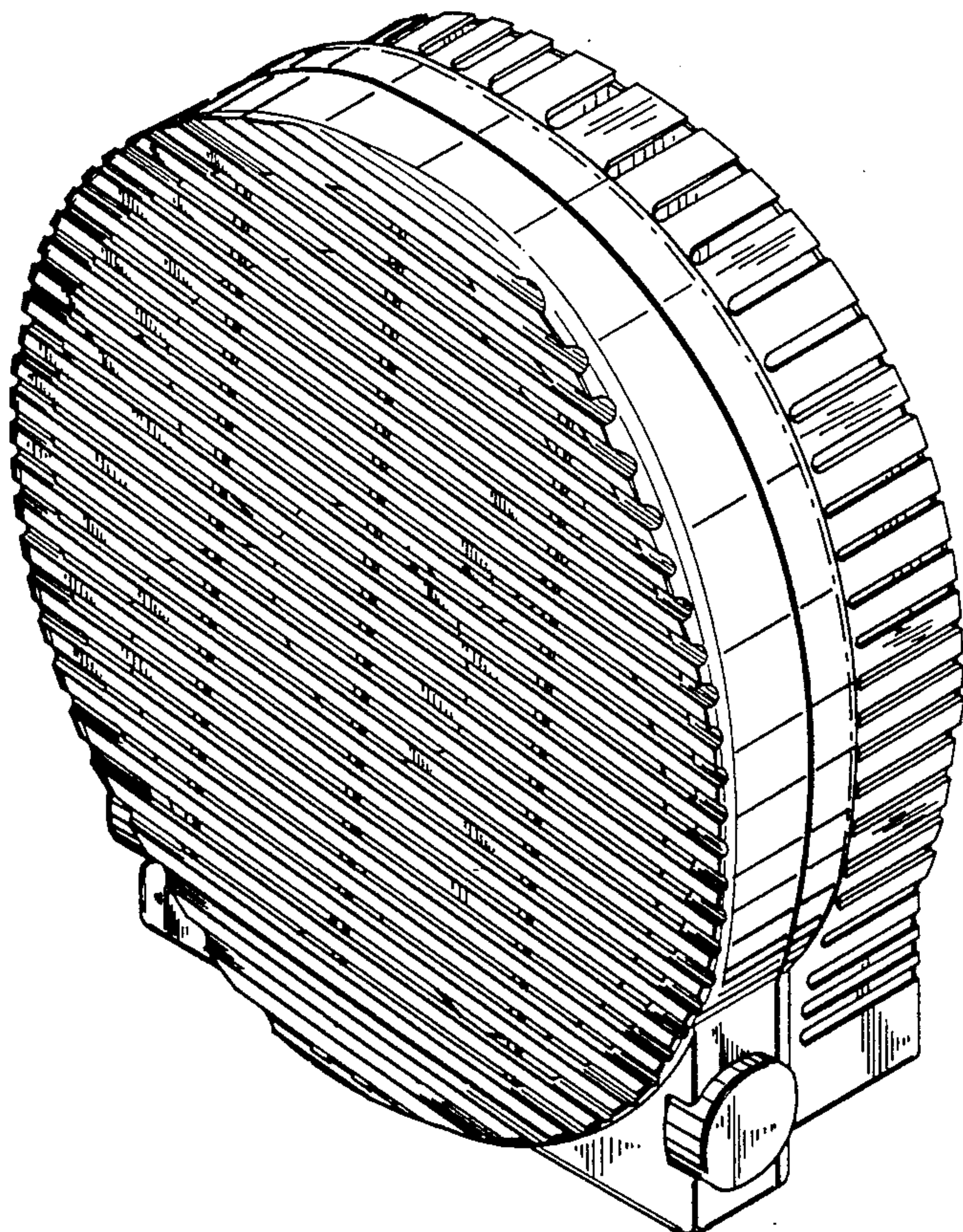


FIG. 1

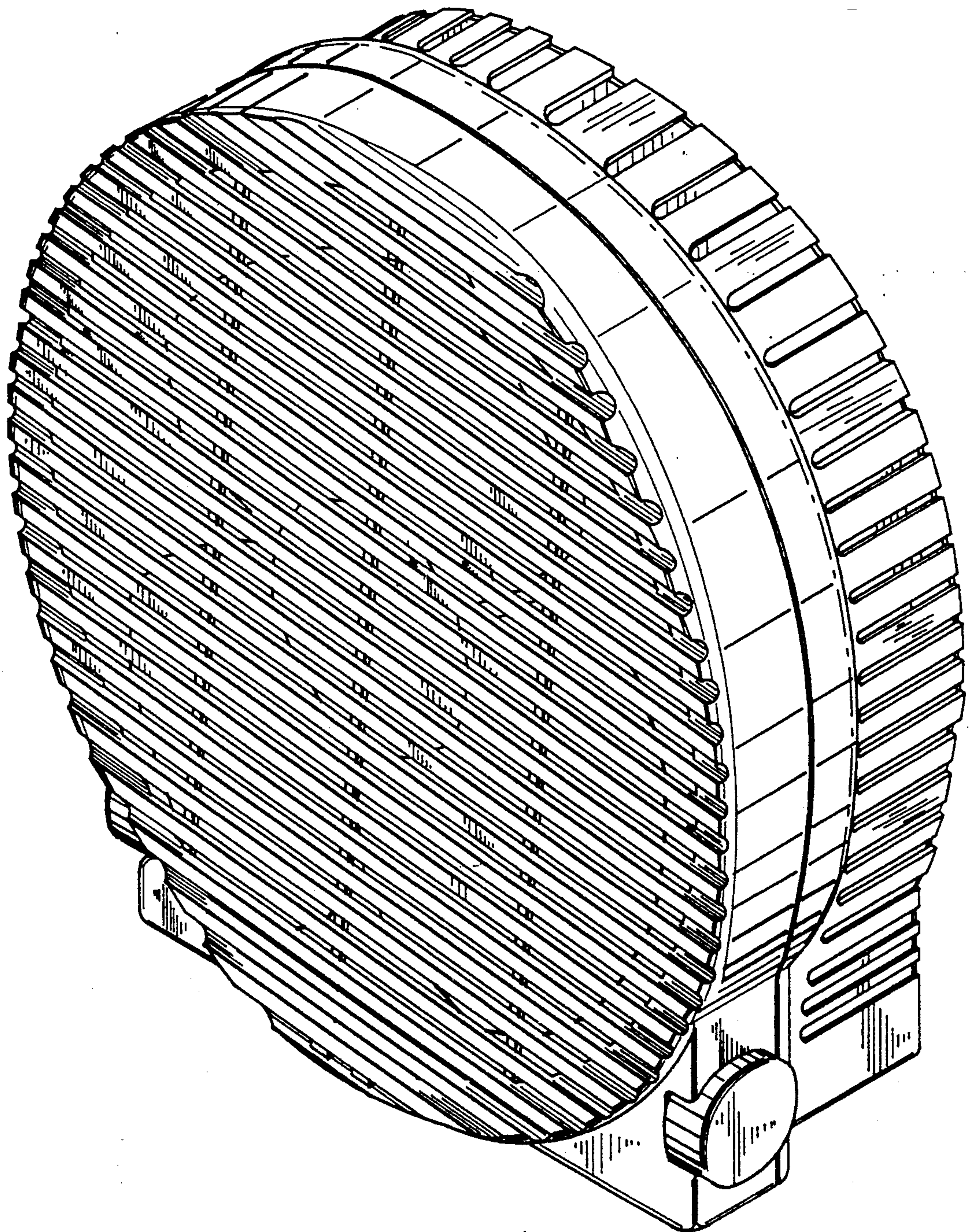


FIG. 2

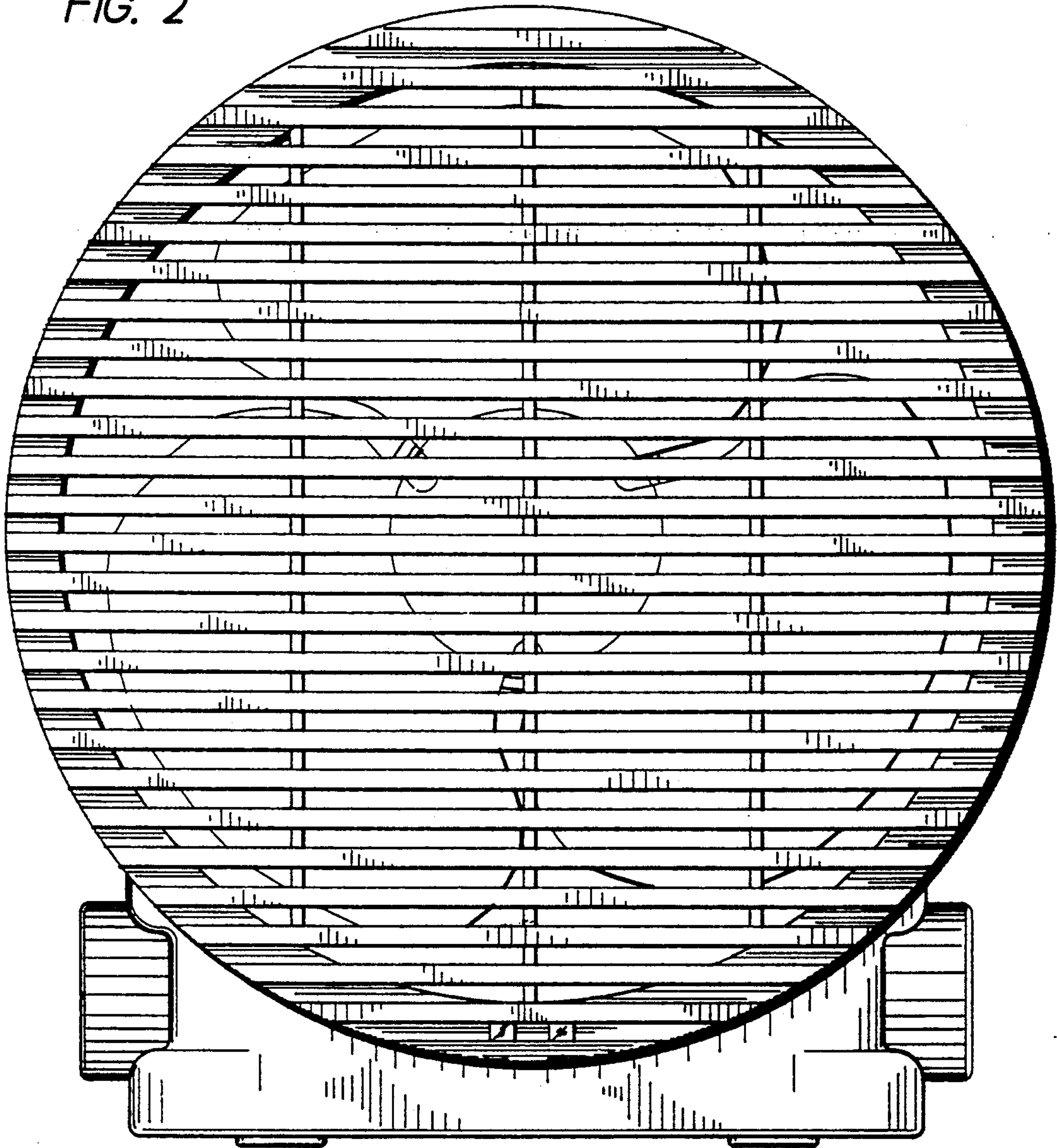


FIG. 3

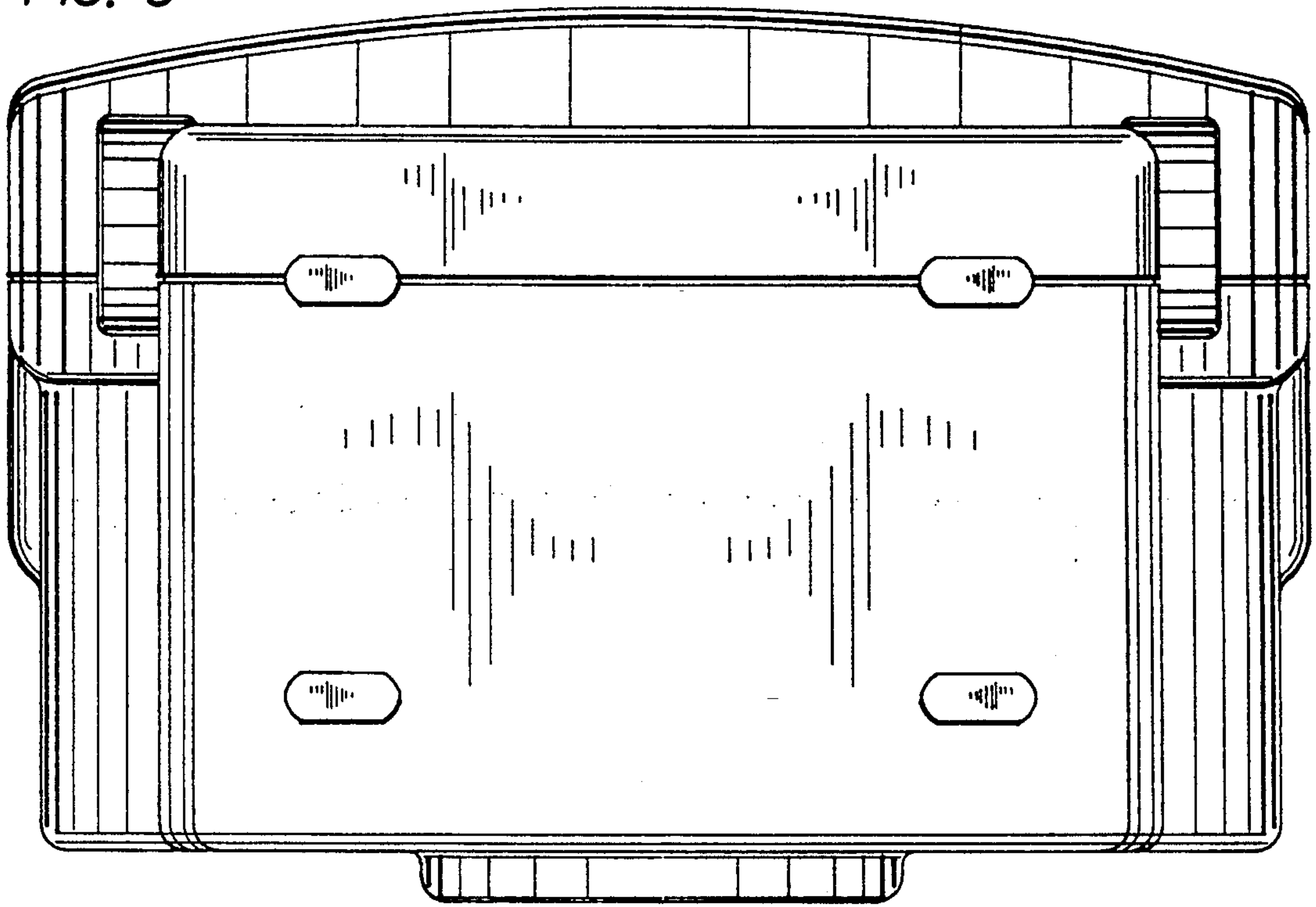


FIG. 4

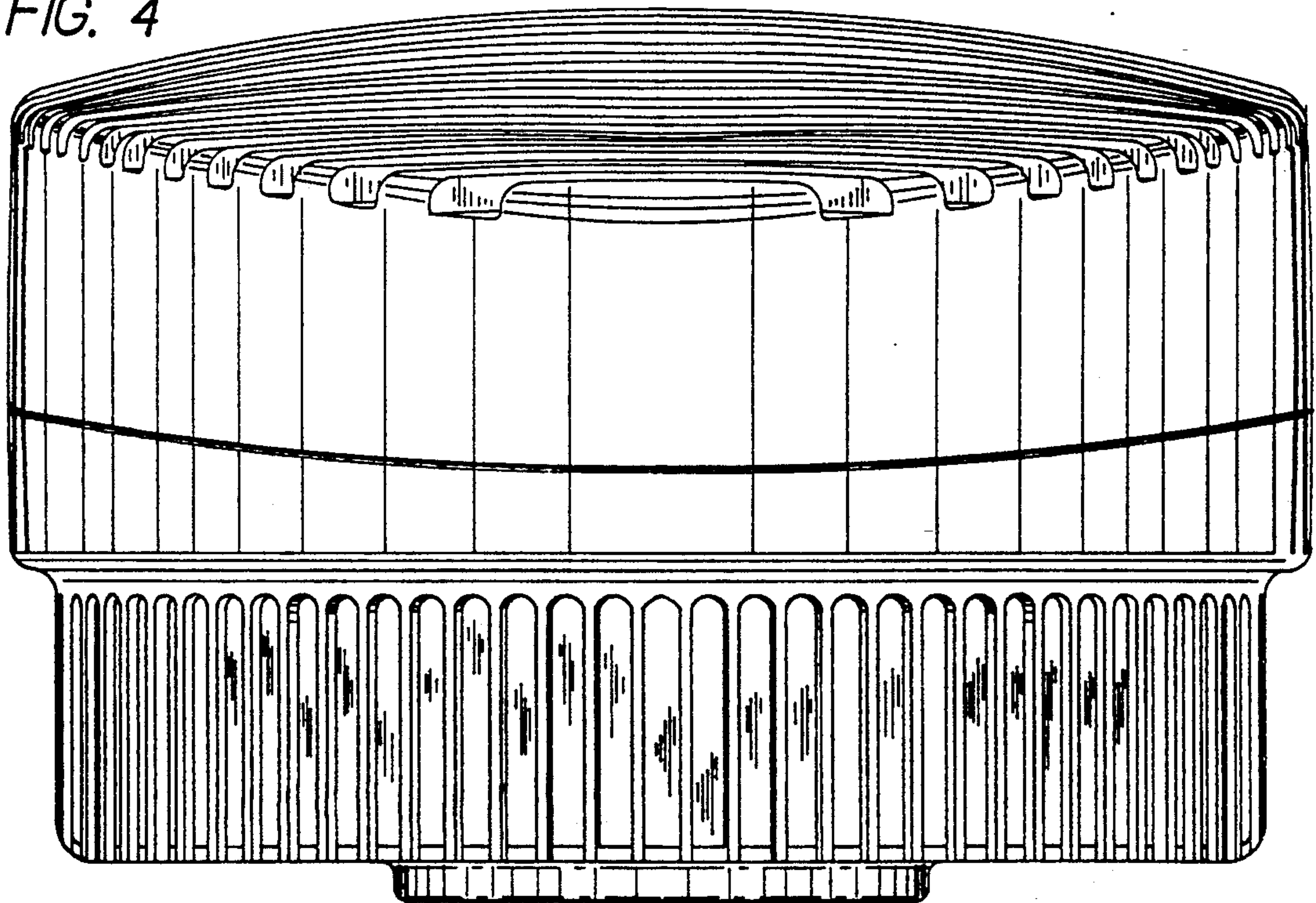


FIG. 5

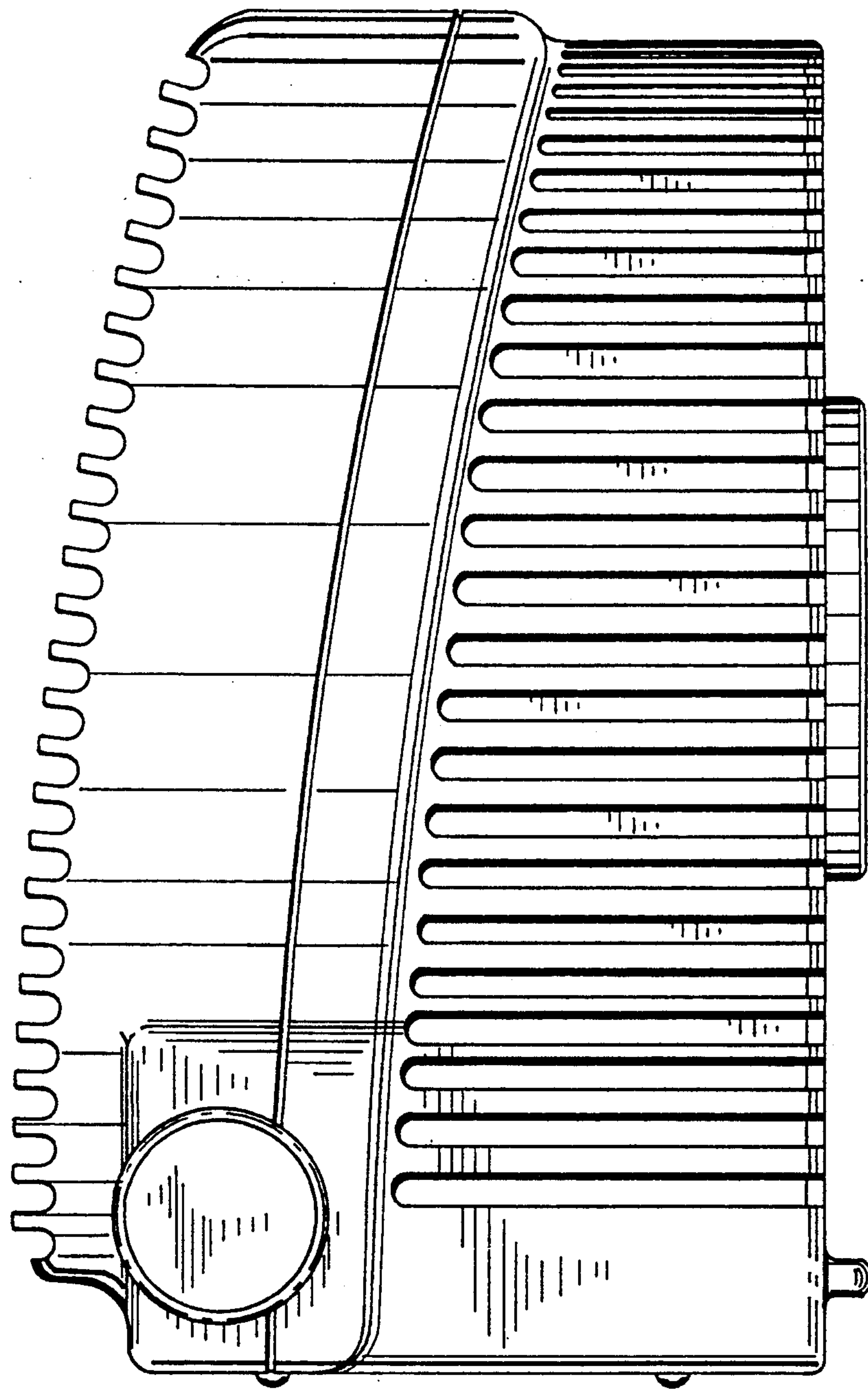


FIG. 6

