



US00D334615S

# United States Patent [19]

[11] Patent Number: **Des. 334,615**

**Berfield et al.**

[45] Date of Patent: **\*\* Apr. 6, 1993**

[54] **SPRAYER**

D. 284,988	8/1986	Powell	.....	D23/223
3,198,439	8/1965	McNinch, Jr. et al.	.....	239/332
3,545,680	12/1970	Ottaway	.....	229/332 X
4,621,770	11/1986	Sayern	.....	239/332 X

[75] Inventors: **Robert C. Berfield**, Jersey Shore;  
**Ronald F. Meland**, Muncy; **Craig A. Seasholtz**, Avis, all of Pa.

*Primary Examiner*—Wallace R. Burke  
*Assistant Examiner*—M. H. Tung  
*Attorney, Agent, or Firm*—Marshall, O'Toole, Gerstein,  
Murray & Bicknell

[73] Assignee: **Shop-Vac Corporation**, Williamsport, Pa.

[\*\*] Term: **14 Years**

### [57] CLAIM

[21] Appl. No.: **641,555**

The ornamental design for a sprayer, as shown and described.

[22] Filed: **Jan. 15, 1991**

### DESCRIPTION

[52] U.S. Cl. .... **D23/226**

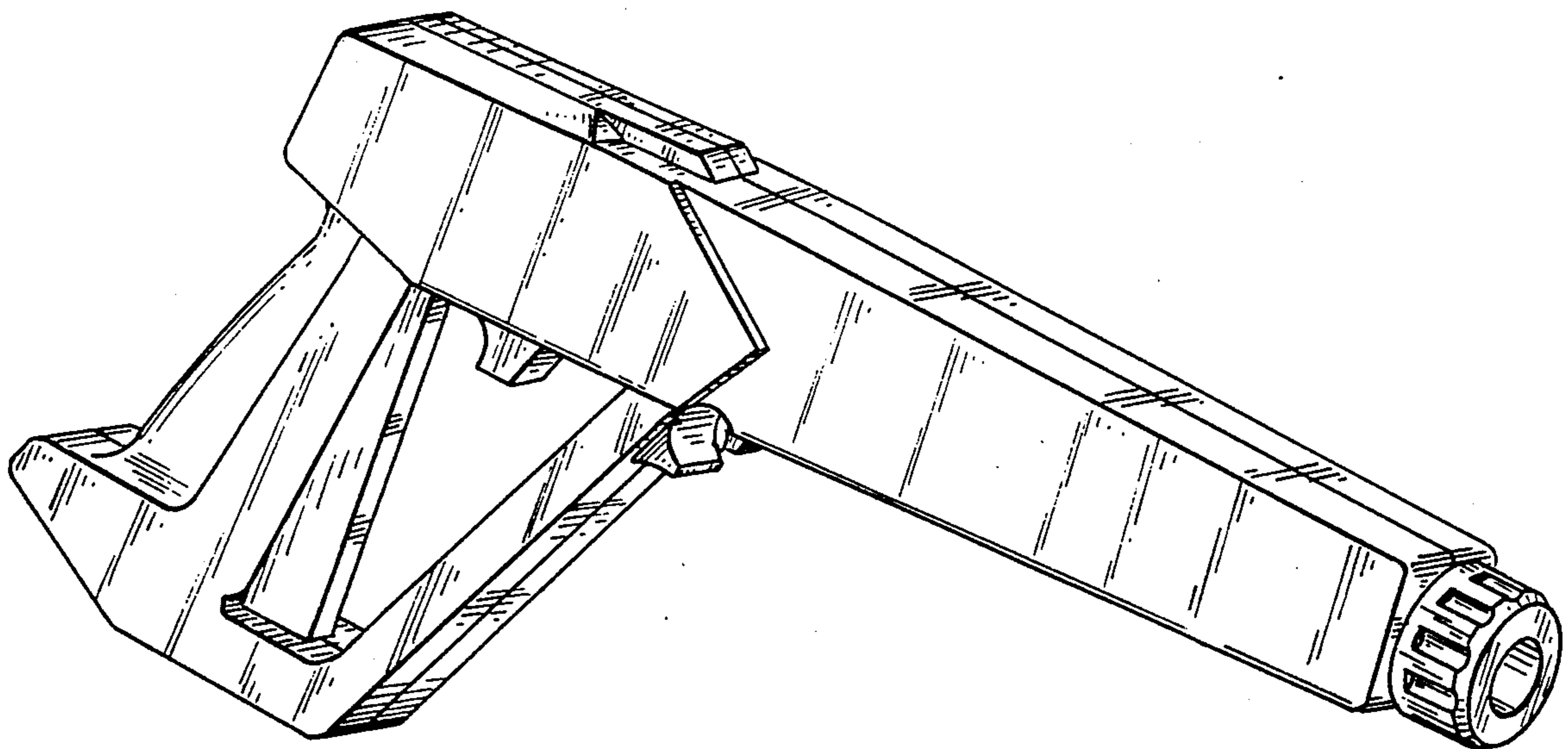
[58] Field of Search ..... **D23/213, 223-227;**  
**239/301, 332, 373, 394, 414-415, 528, 525-527,**  
**532, 554, 556**

FIG. 1 is a front, right side, top perspective view of a sprayer showing my new design, on a reduced scale; FIG. 2 is a right side elevational view thereof; FIG. 3 is a left side elevational view thereof; FIG. 4 is a top plan view thereof; FIG. 5 is a bottom plan view thereof; FIG. 6 is a rear elevational view thereof; and, FIG. 7 is a front elevational view thereof.

### [56] References Cited

#### U.S. PATENT DOCUMENTS

D. 234,053	1/1975	Raffler et al.	.....	D23/226
D. 235,872	7/1975	Harussi	.....	D23/226



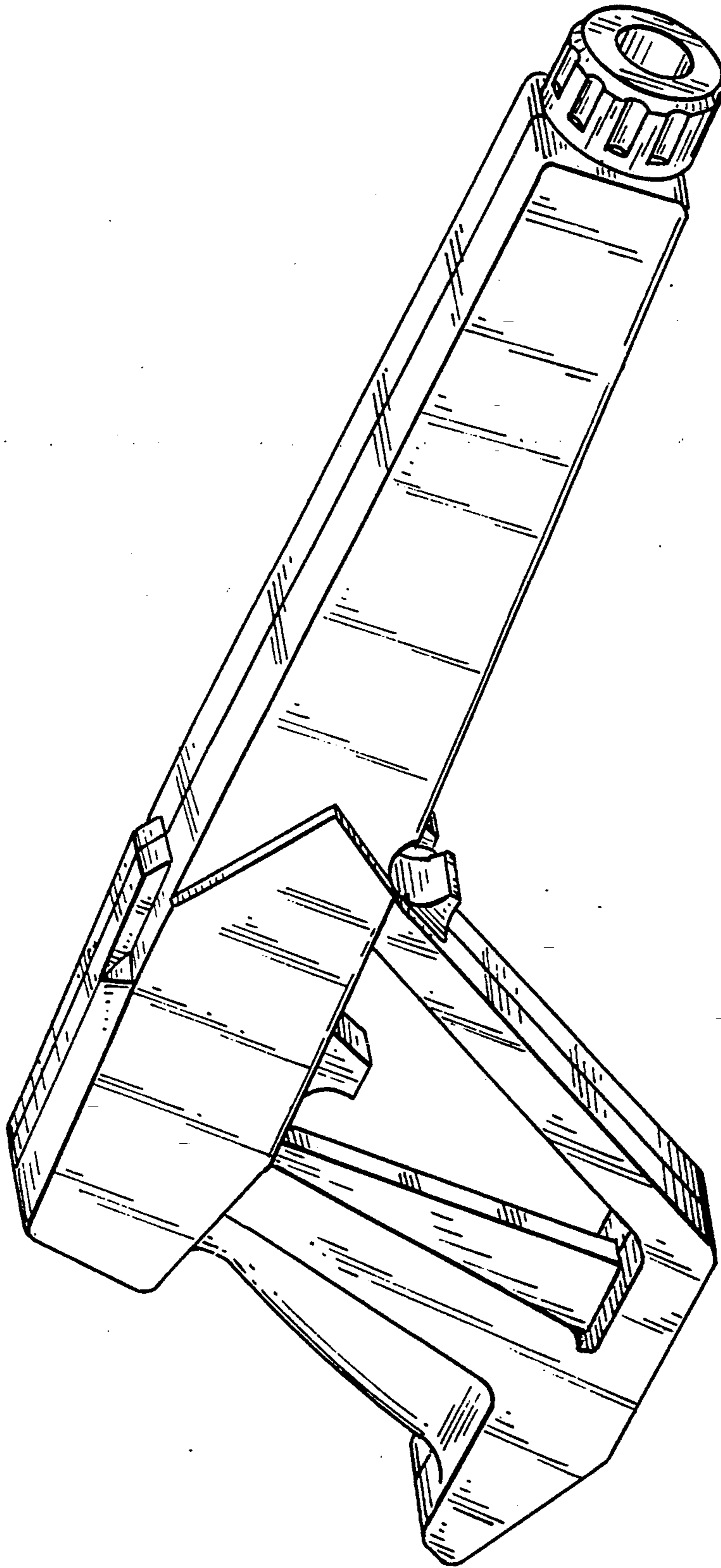


FIG. 1

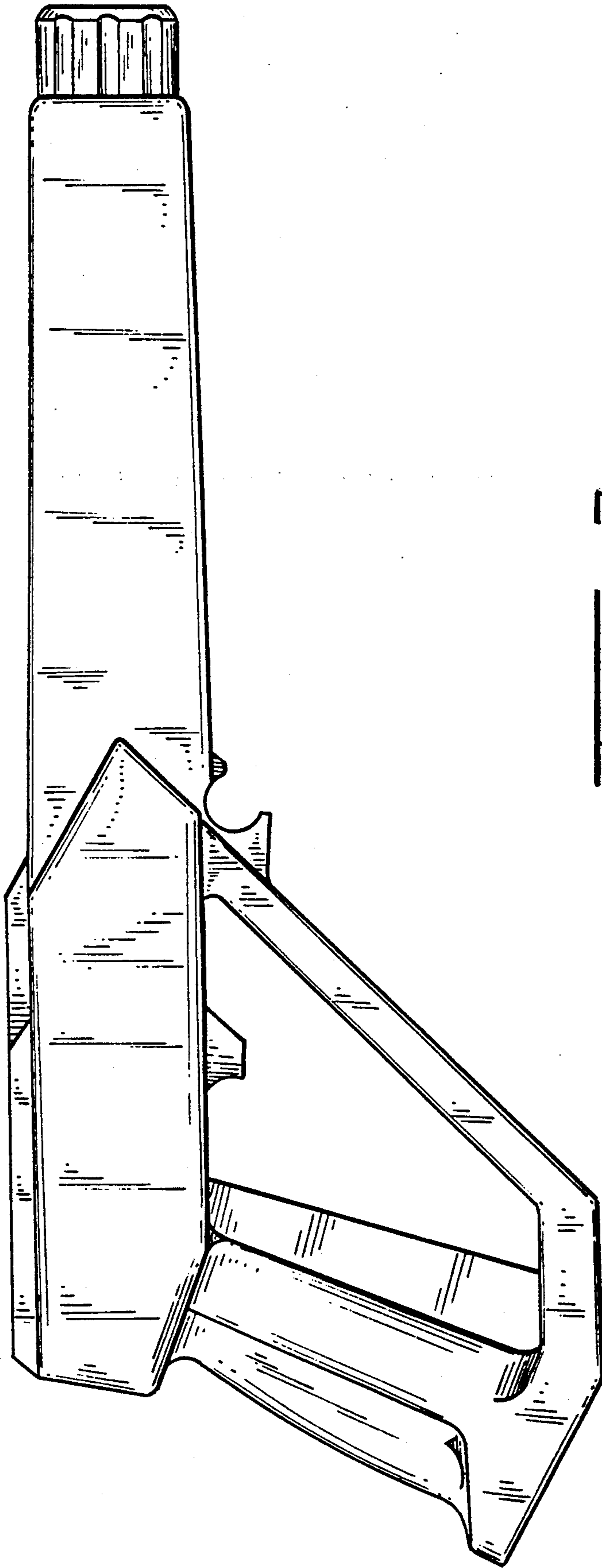


FIG. 2

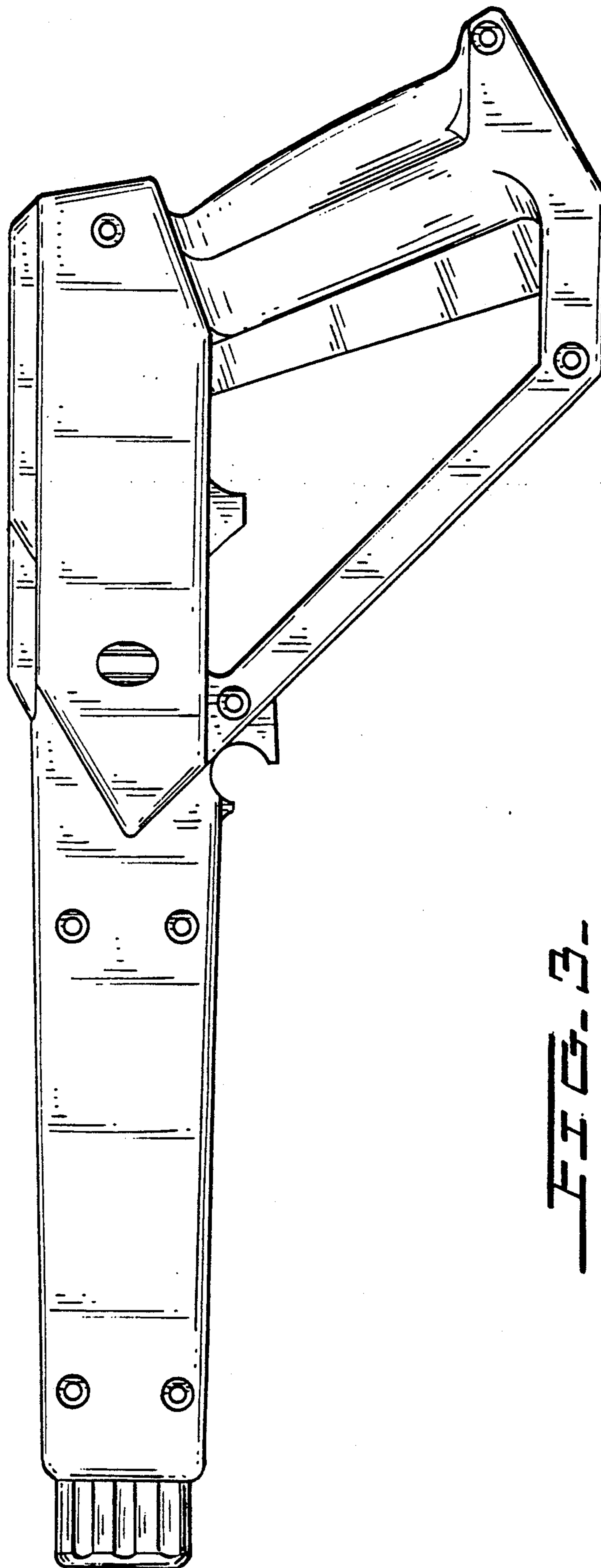


FIG. 3



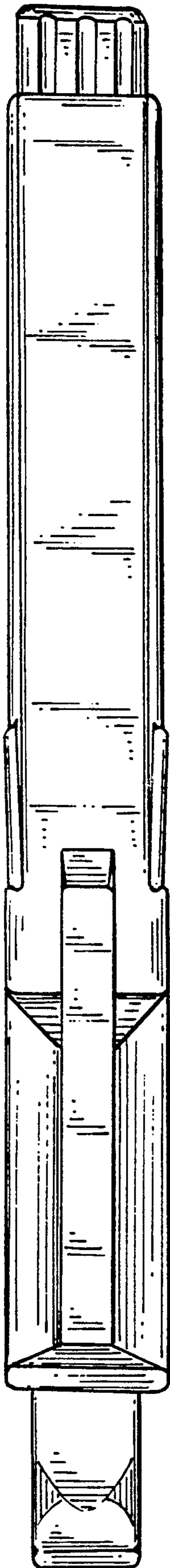


FIG. 4

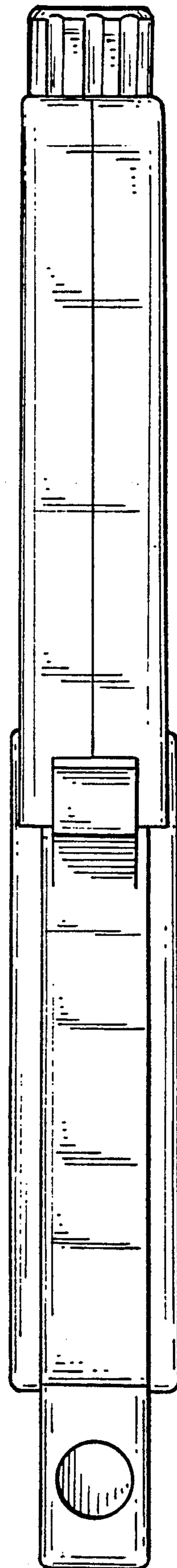


FIG. 5

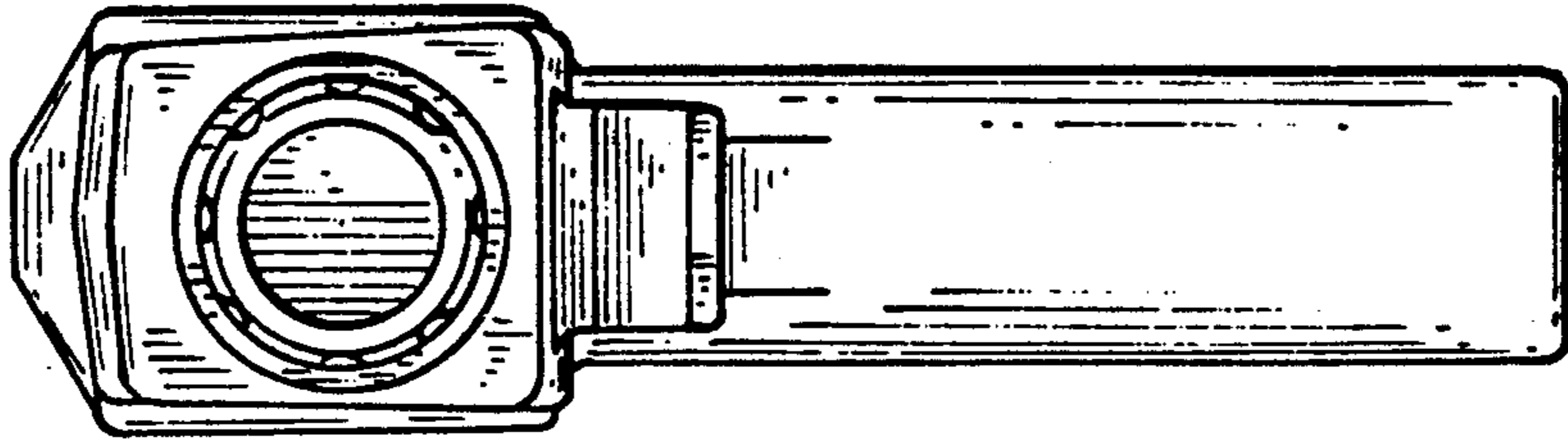


FIG. 7.

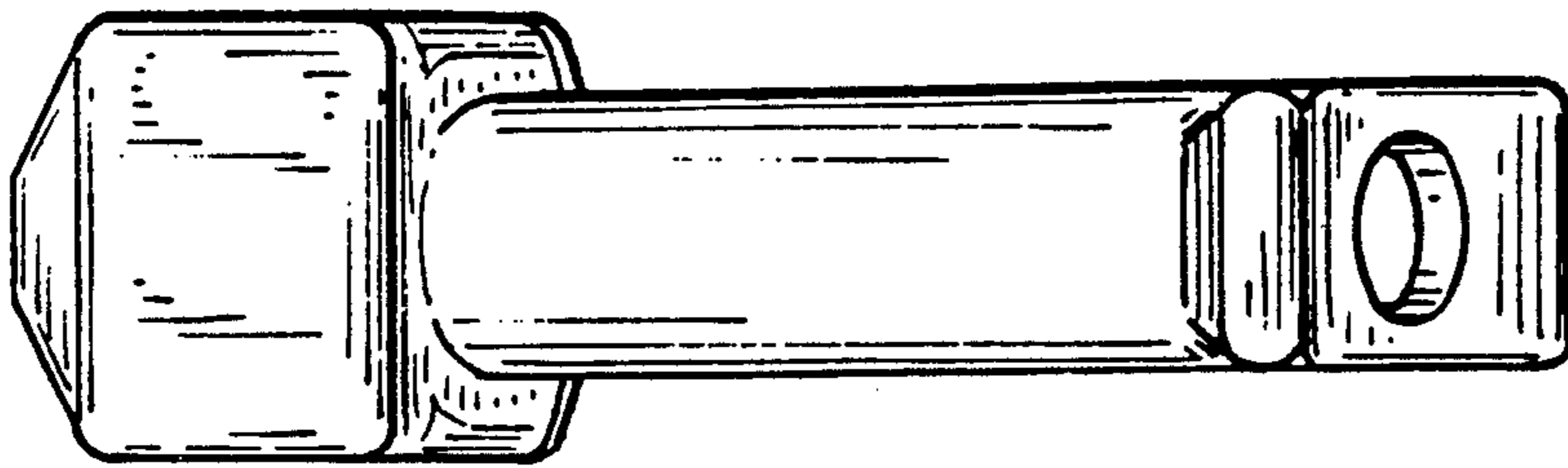


FIG. 8.