



US00D334614S

United States Patent [19]

[11] Patent Number: **Des. 334,614**

Biltoft et al.

[45] Date of Patent: **** Apr. 6, 1993**

[54] END MANIFOLD FOR A FILTER CARTRIDGE

[75] Inventors: **Bruce G. Biltoft**, North Sydney;
Michael R. L. Selbie, McMahons,
both of Australia

[73] Assignee: **Memtec Limited**, Australia

[*] Notice: The portion of the term of this patent subsequent to Dec. 8, 2006 has been disclaimed.

[**] Term: **14 Years**

[21] Appl. No.: **500,851**

[22] Filed: **Mar. 29, 1990**

[30] Foreign Application Priority Data

Sep. 29, 1989 [AU] Australia 3226/89
[52] U.S. Cl. **D23/209**
[58] Field of Search **D23/200, 207-210, D23/259, 262-263; 210/130, 167, 198.1, 231-232, 244-246, 249, 275, 295, 258, 260, 287-290, 282, 440, 416.3, 443-449; 137/883-884, 861**

[56] References Cited

U.S. PATENT DOCUMENTS

D. 235,998	7/1975	Smith	D23/263
2,537,965	1/1951	Cantin, Jr.	210/282 X
2,544,269	3/1951	LeClair	210/443 X
3,603,346	9/1971	Hirt	137/884
3,765,441	10/1973	Chang	137/884 X
3,995,604	2/1970	Trask, II	137/884 X
4,416,775	11/1983	Halbech et al.	D23/209 X

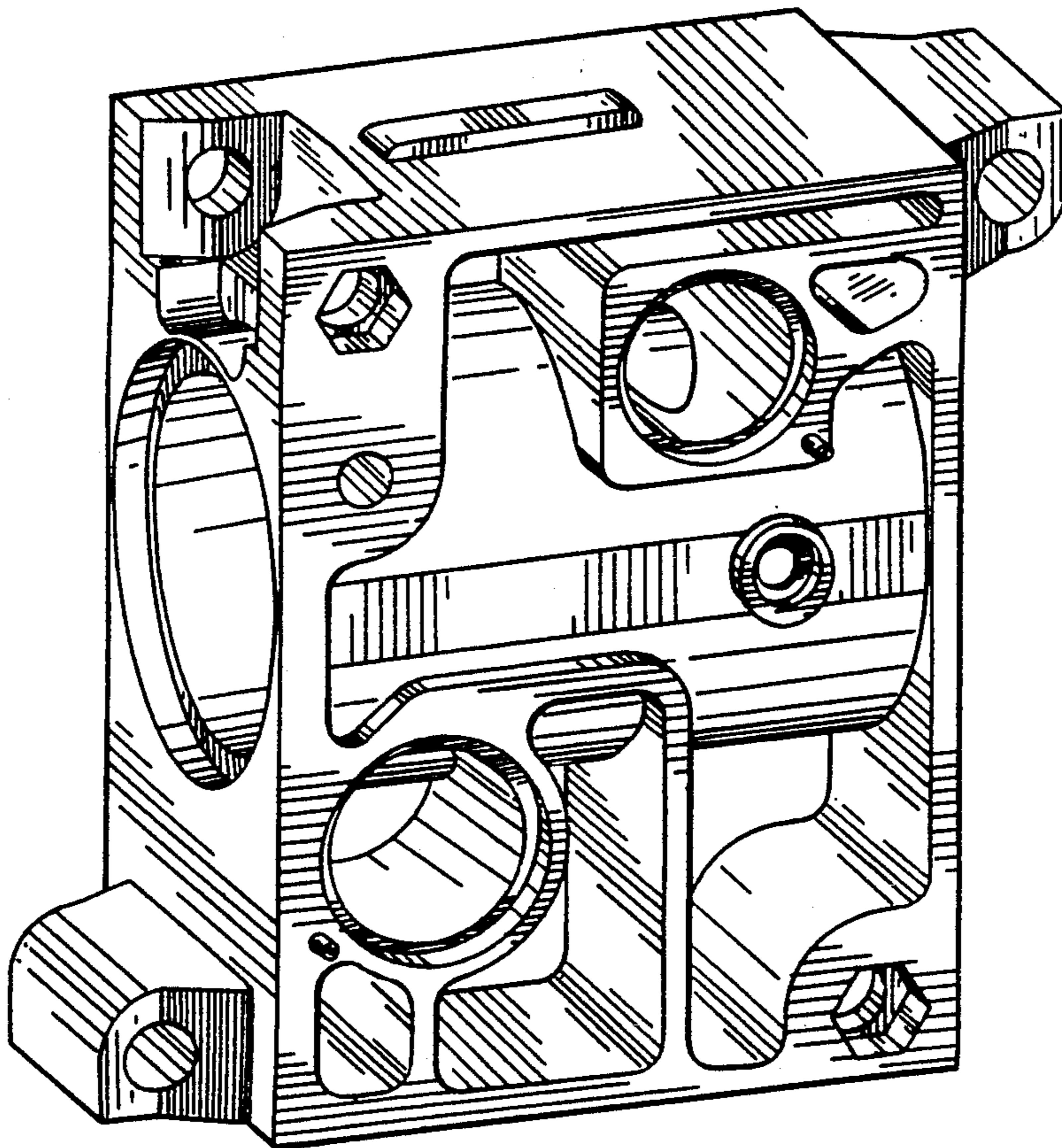
Primary Examiner—Susan J. Lucas
Assistant Examiner—M. H. Tung
Attorney, Agent, or Firm—Waldron & Associates

[57] CLAIM

The ornamental design for an end manifold for a filter cartridge, as shown and described.

DESCRIPTION

FIG. 1 is a front perspective view of an end manifold for a filter cartridge showing our new design; FIG. 2 is a rear perspective view thereof; FIG. 3 is a front elevational view thereof; FIG. 4 is a rear elevational view thereof; FIG. 5 is a top plan view thereof; FIG. 6 is a bottom plan view thereof; FIG. 7 is a left side elevational view thereof; and, FIG. 8 is a right side elevational view thereof.



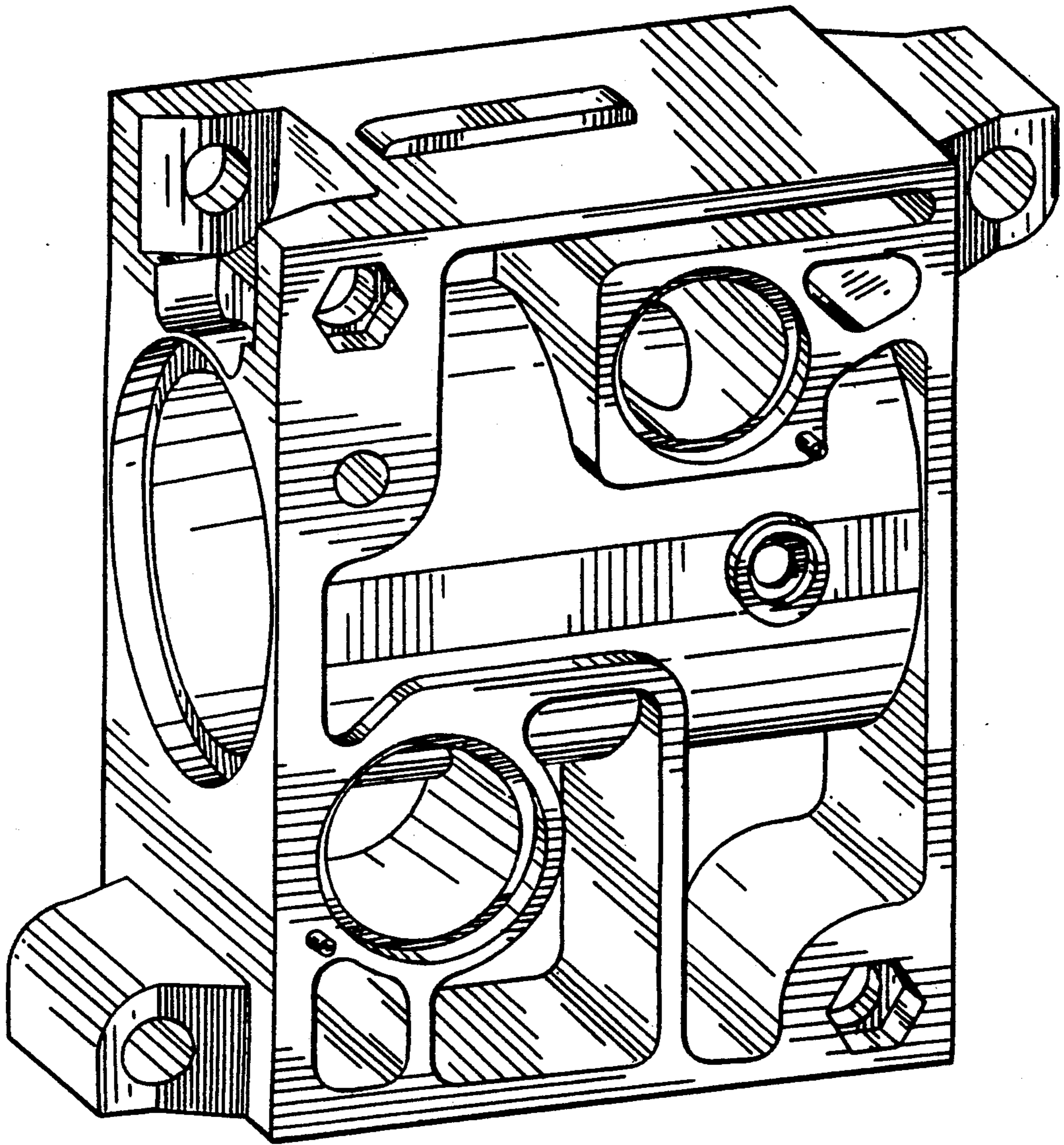


FIG. 1

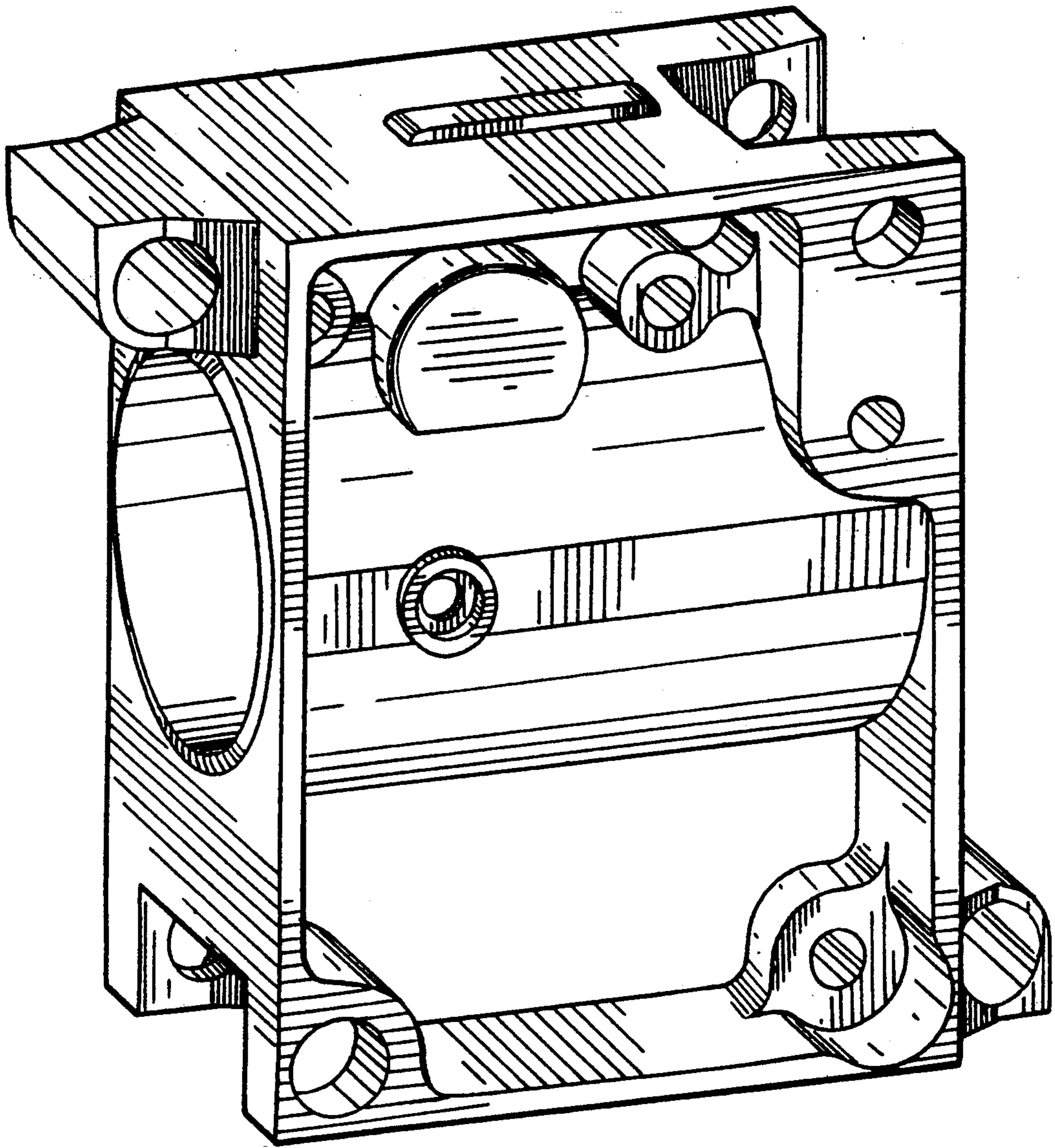


FIG. 2

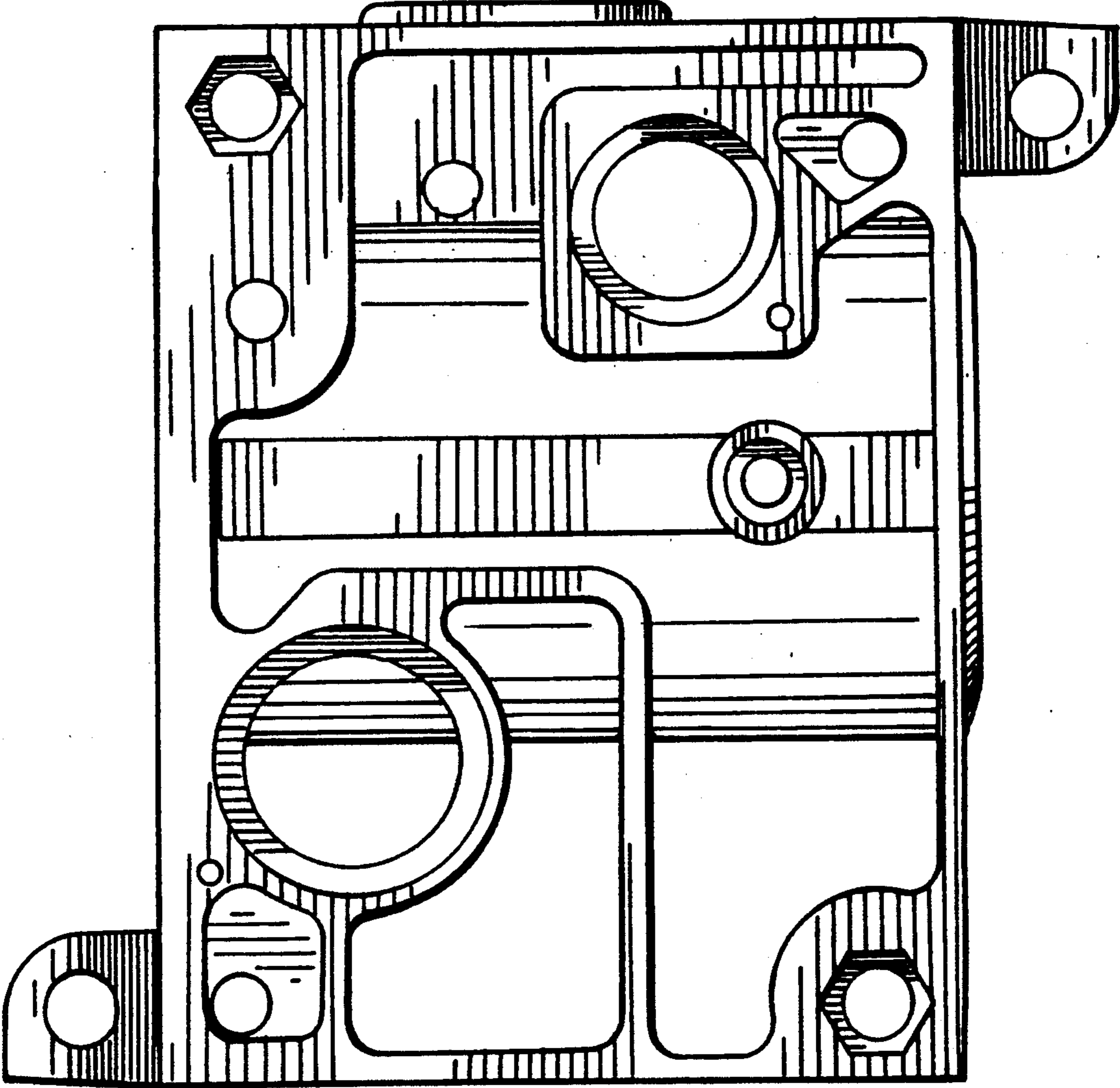


FIG. 3

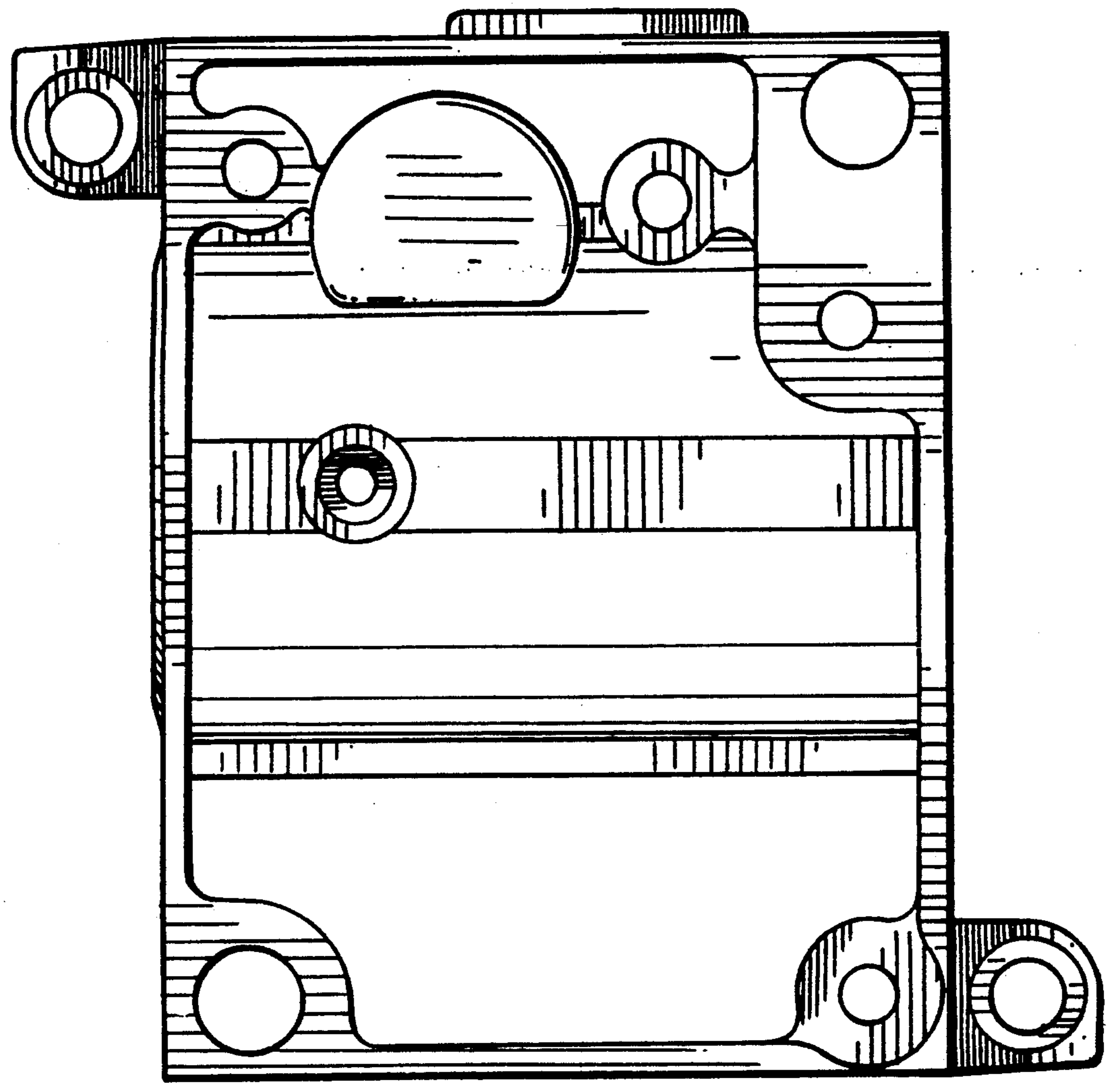


FIG. 4

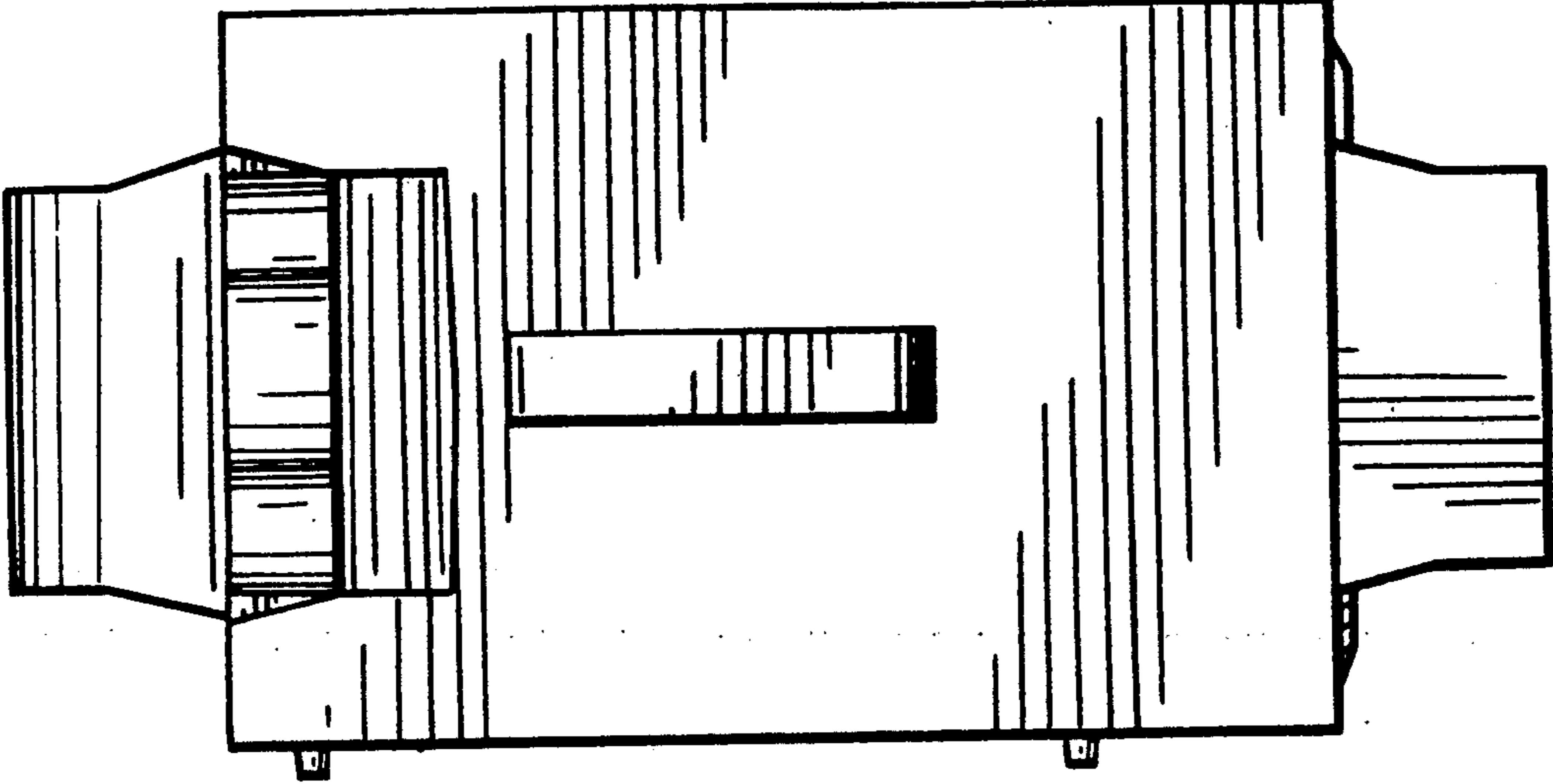


FIG. 5

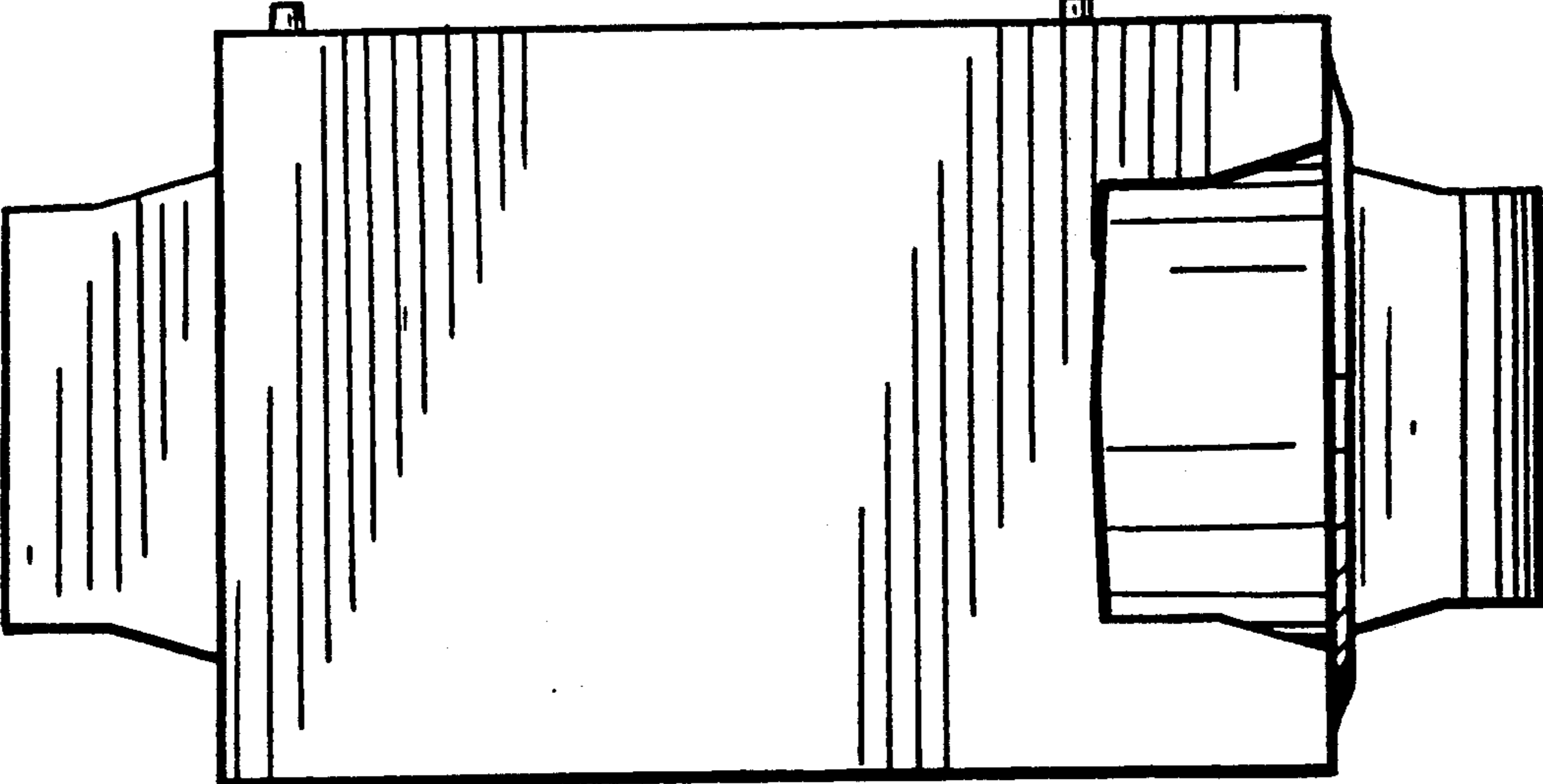


FIG. 6

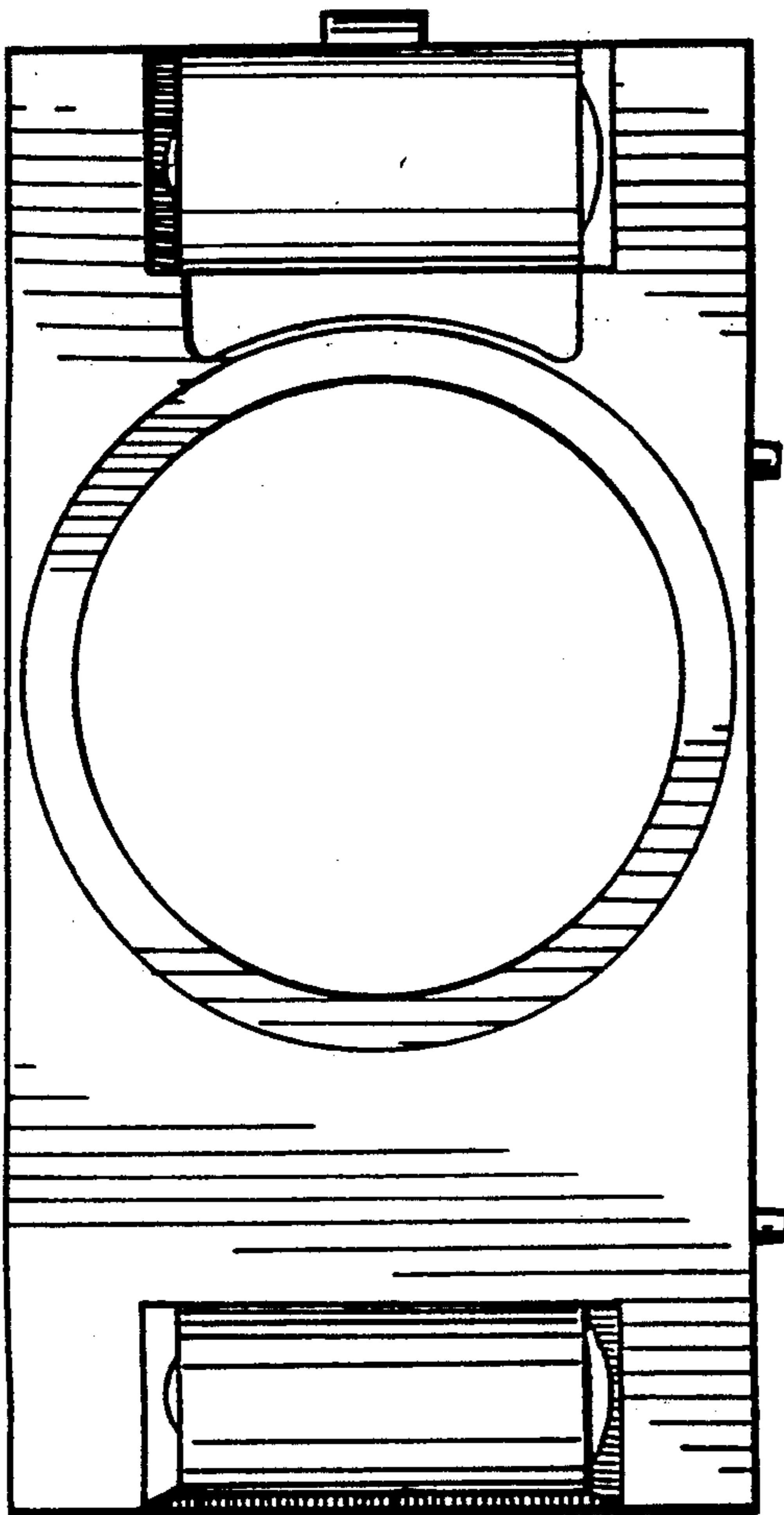


FIG. 7

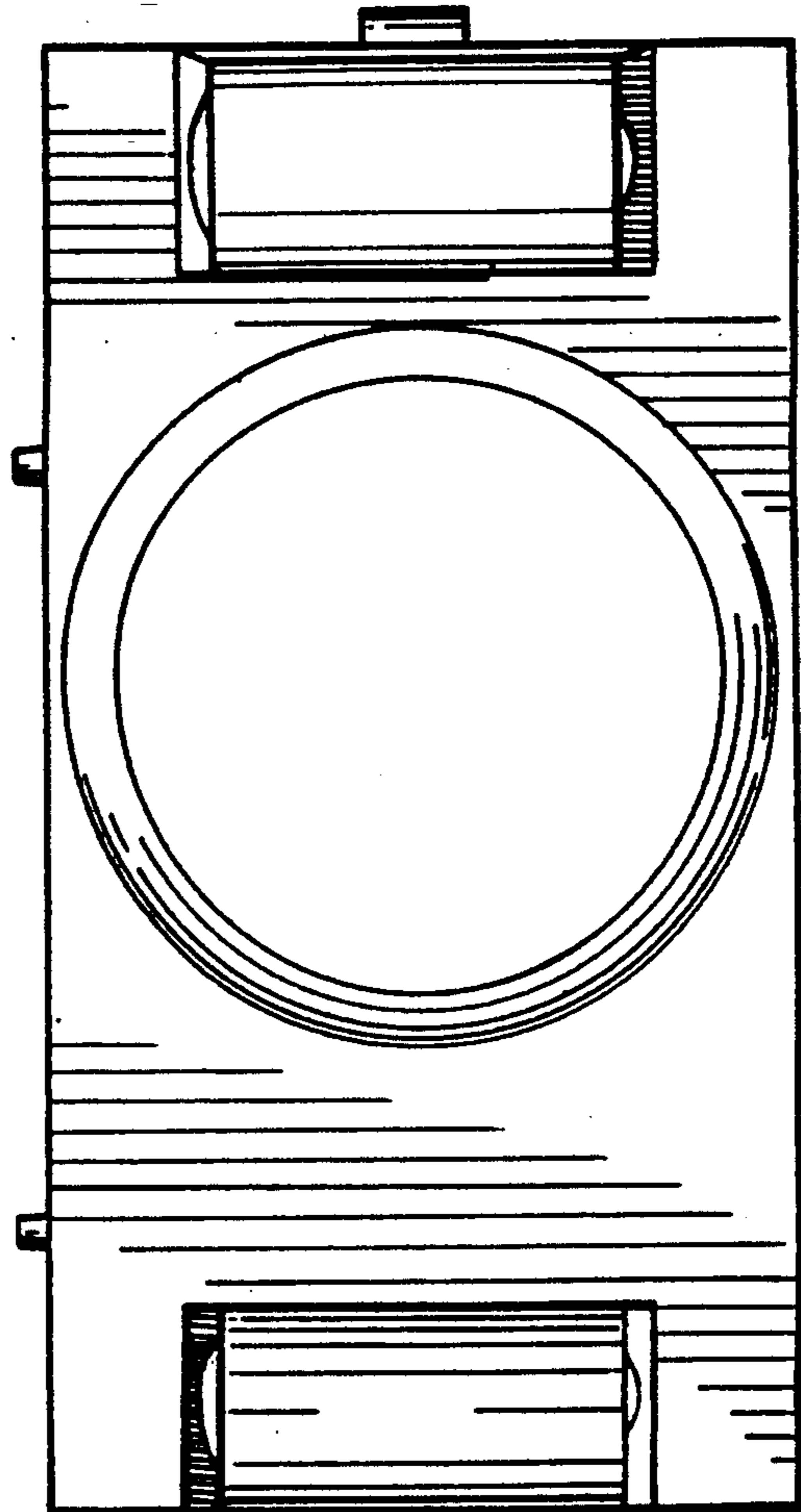


FIG. 8