



US00D334610S

United States Patent [19]

[11] Patent Number: **Des. 334,610**

Aker

[45] Date of Patent: **** Apr. 6, 1993**

[54] ACTIVITY SLIDE TOY

[75] Inventor: **Kevin R. Aker, Hudson, Ohio**

[73] Assignee: **The Little Tikes Company, Hudson, Ohio**

[**] Term: **14 Years**

[21] Appl. No.: **561,301**

[22] Filed: **Jul. 30, 1990**

[52] U.S. Cl. **D21/244**

[58] Field of Search **D21/243, 244, 242, 240; 472/116, 117, 136**

OTHER PUBLICATIONS

Mexico Forge, Jun. 1984, p. 16, Totem Pole.
Concrete Mag., Mar. 1959, p. 30, top of the page.
Playthings, May 1987, p. 23, top of the page.
Playlearn, 1980, p. 1, Item #2, Fun House.

Primary Examiner—Bernard Ansher
Assistant Examiner—Prabhakar Deshmukh
Attorney, Agent, or Firm—Richard B. O'Planick

[57] CLAIM

The ornamental design for an activity slide toy, as shown and described.

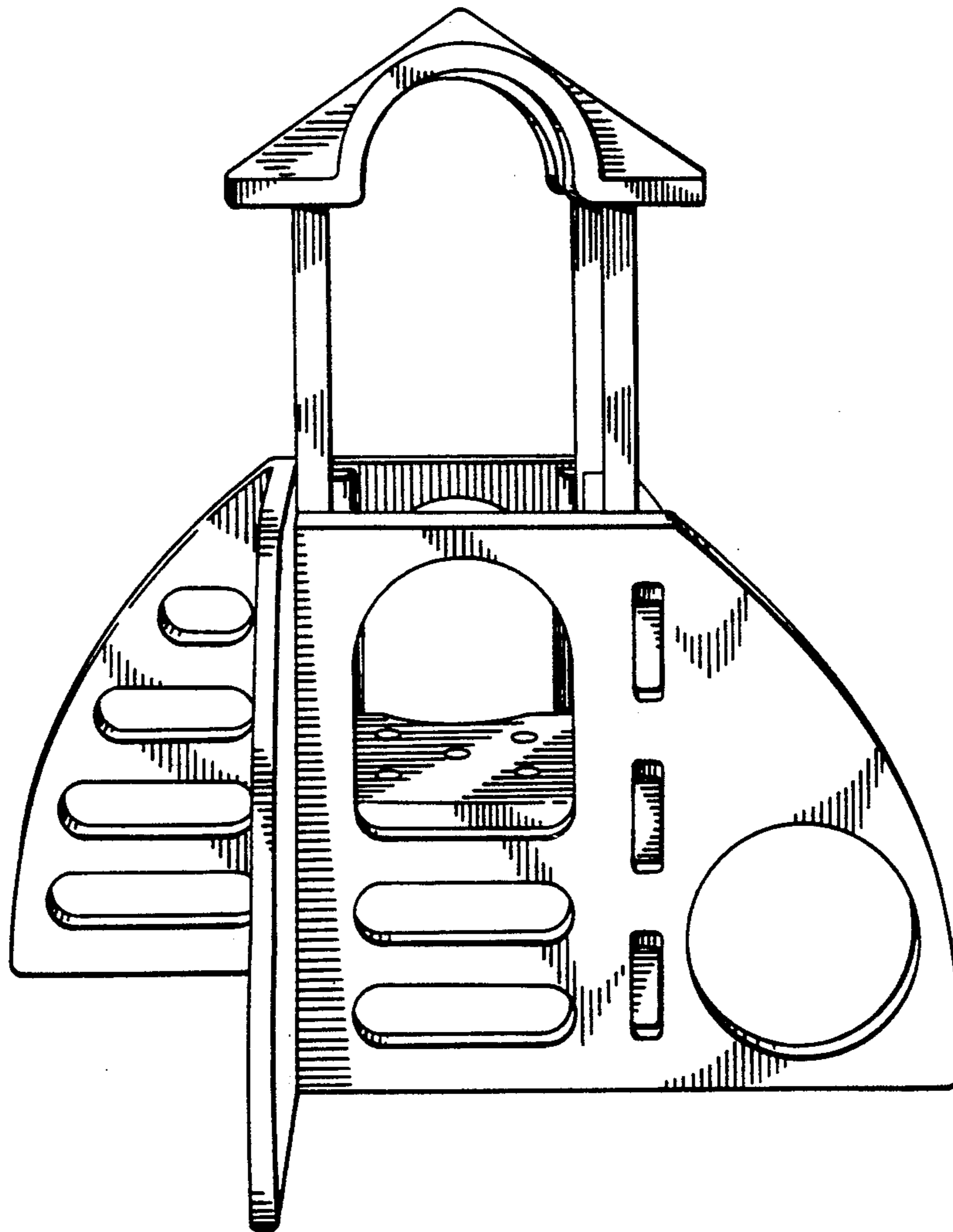
[56] References Cited

U.S. PATENT DOCUMENTS

D. 262,818	1/1982	Works .	
D. 281,985	12/1985	Spirk et al. .	
D. 294,378	2/1988	Spirk, Jr. et al.	D21/244
D. 303,826	10/1989	Aker	D21/244
4,369,965	1/1983	Ahrens	D21/244 X
4,893,807	1/1990	Ahrens	472/116

DESCRIPTION

FIG. 1 is a front perspective view of an activity slide toy embodying my new desing;
FIG. 2 is a left side perspective view thereof;
FIG. 3 is a rear perspective view thereof;
FIG. 4 is a right side perspective view thereof;
FIG. 5 is a top plan view thereof; and,
FIG. 6 is a bottom plan view thereof.



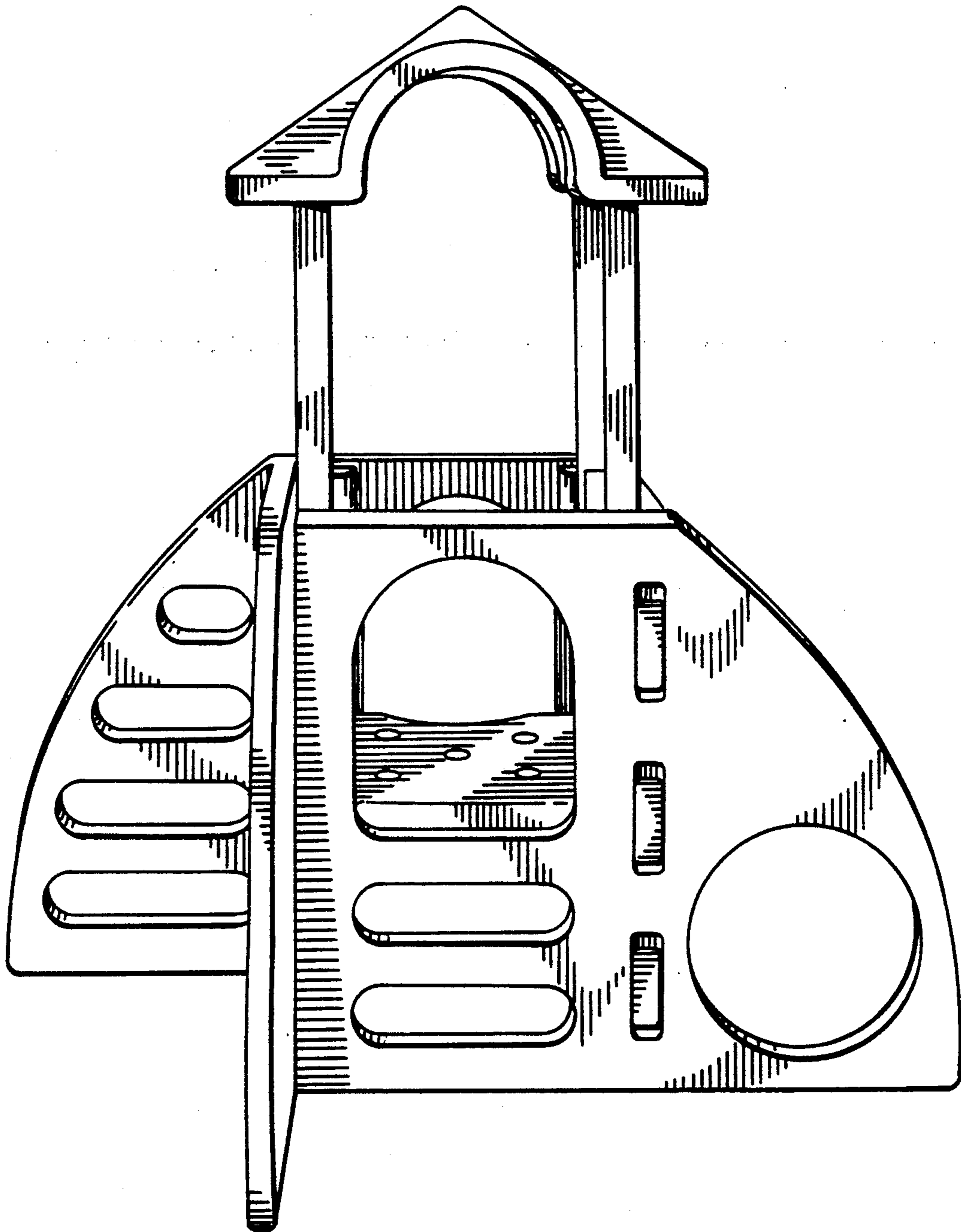


FIG. 1

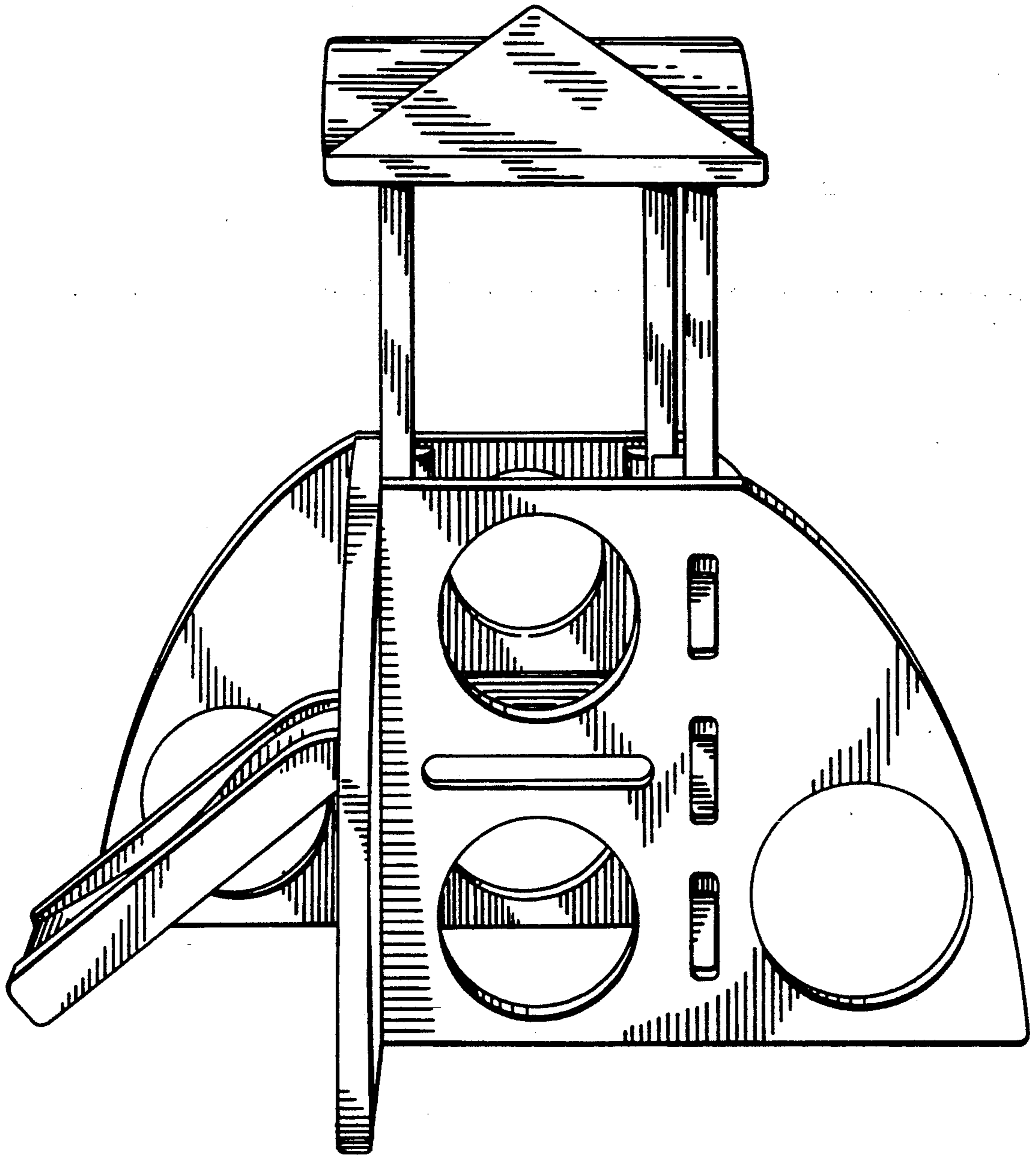


FIG. 2

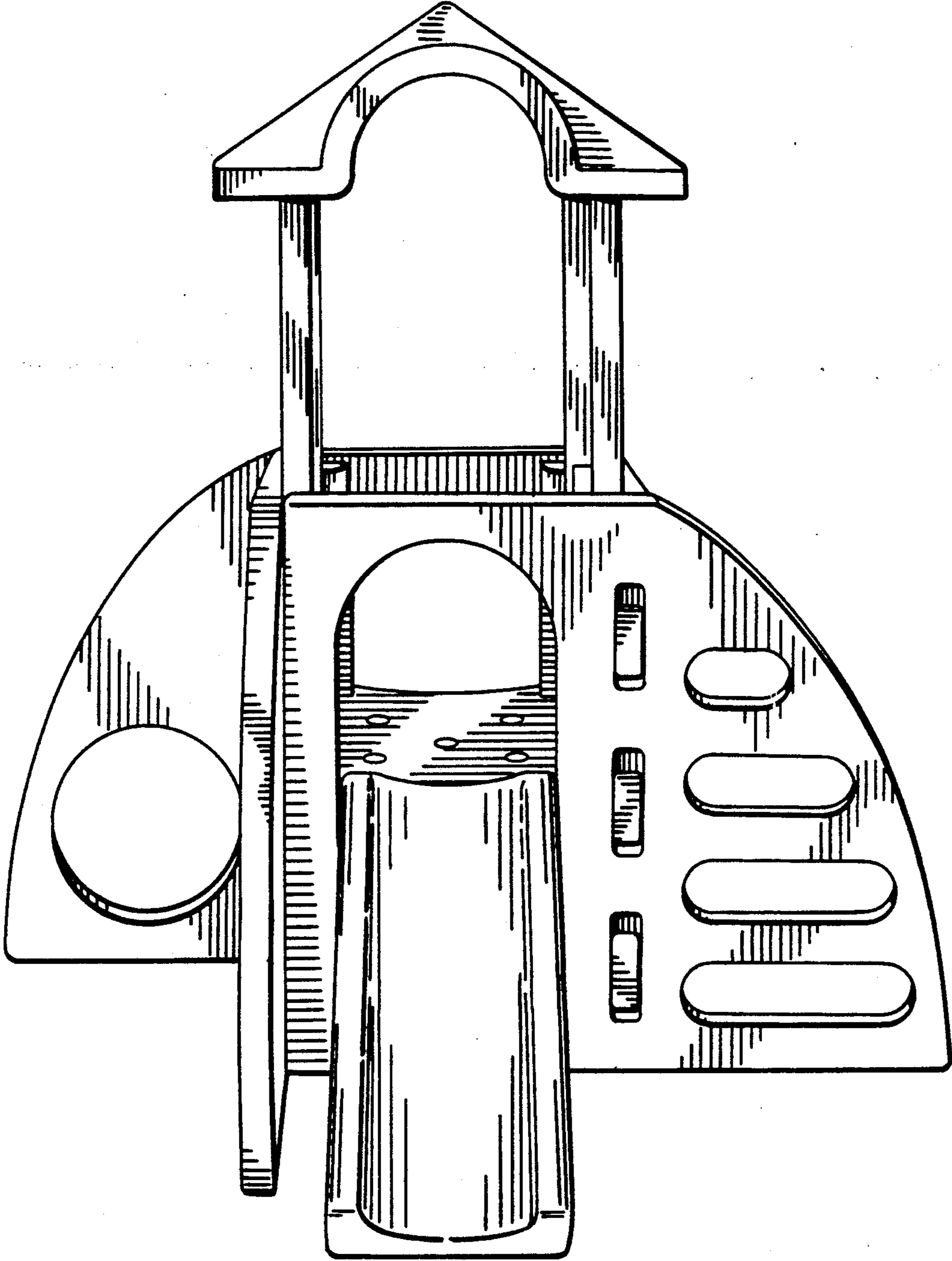


FIG. 3

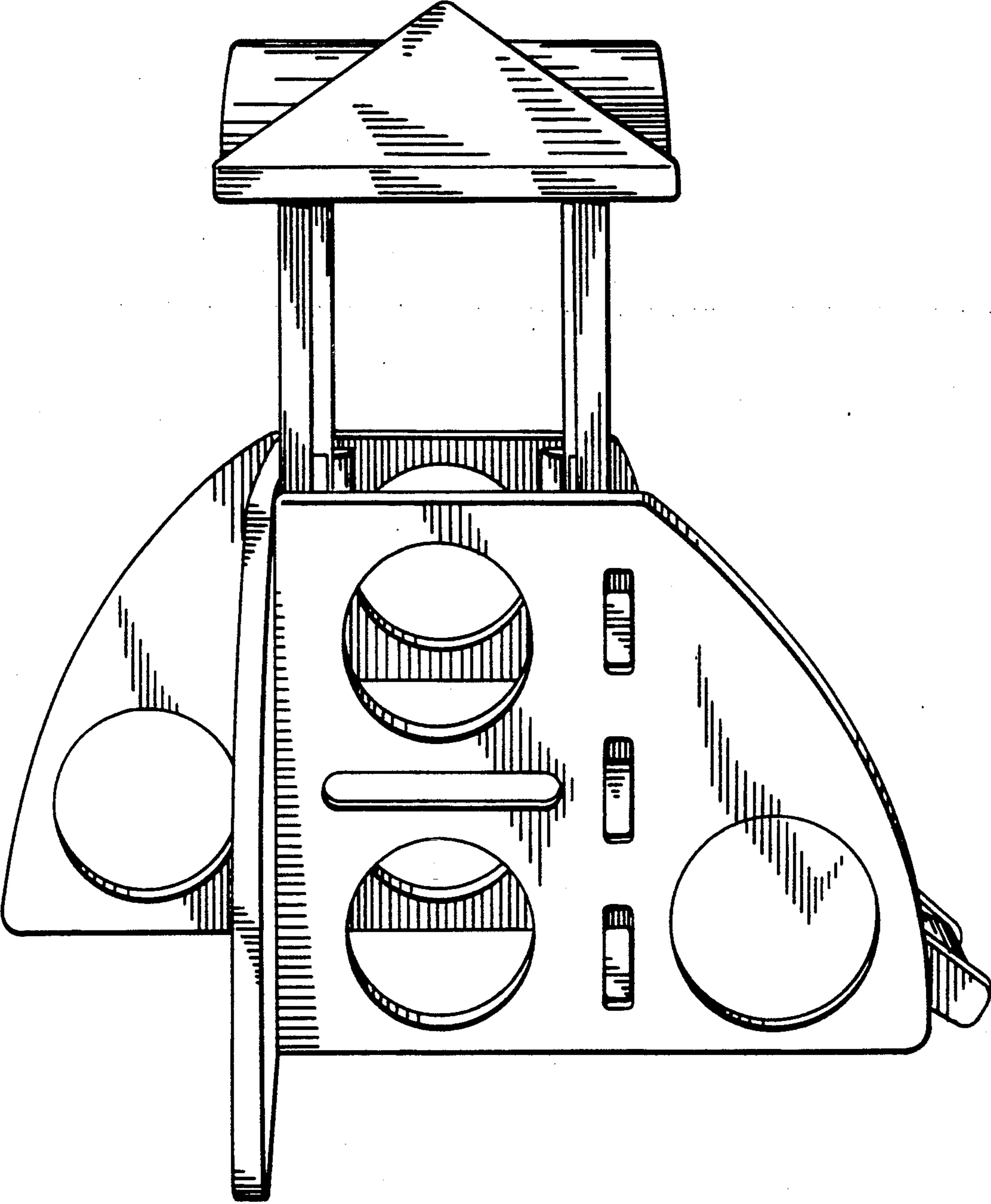


FIG. 4

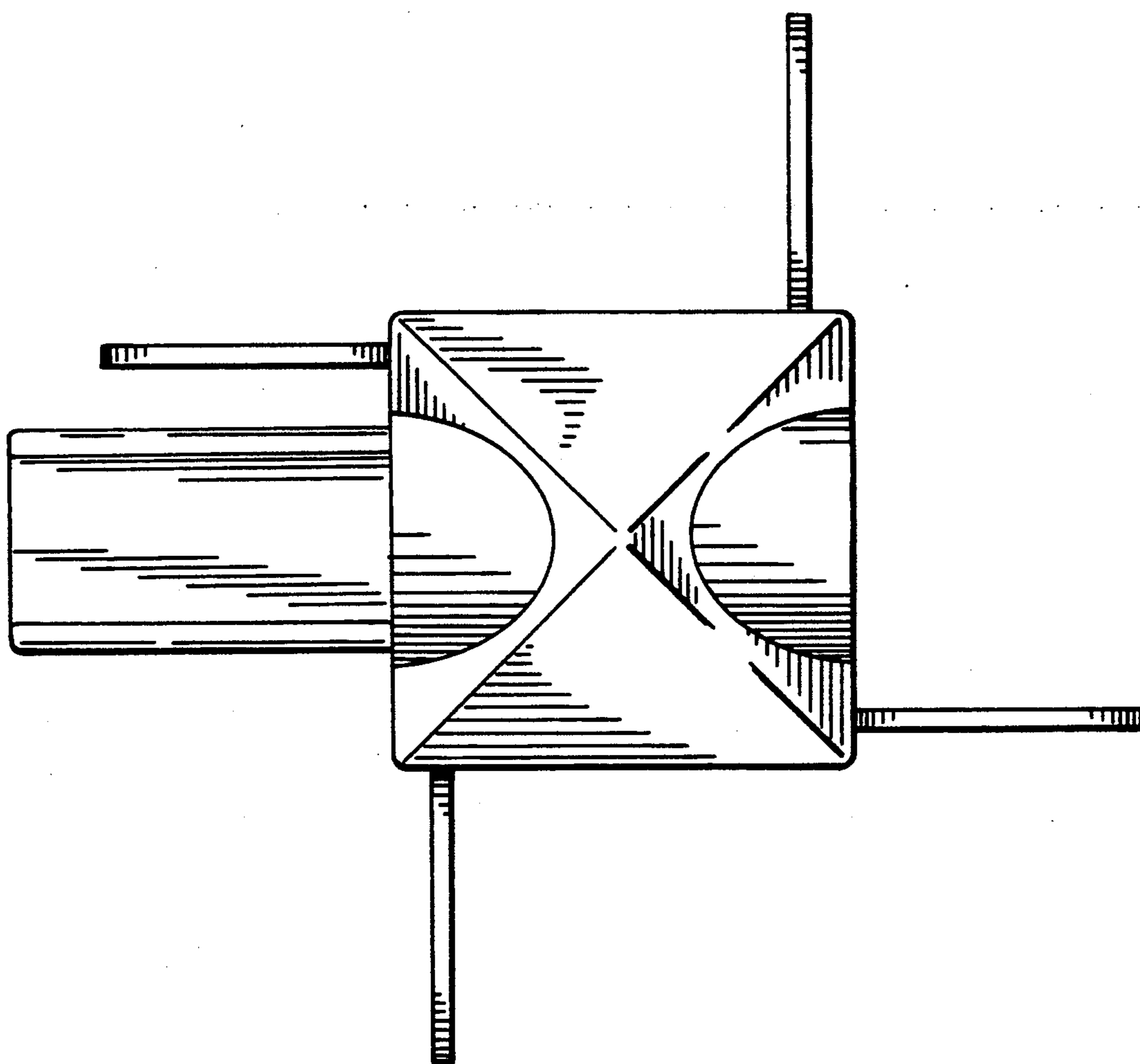


FIG. 5

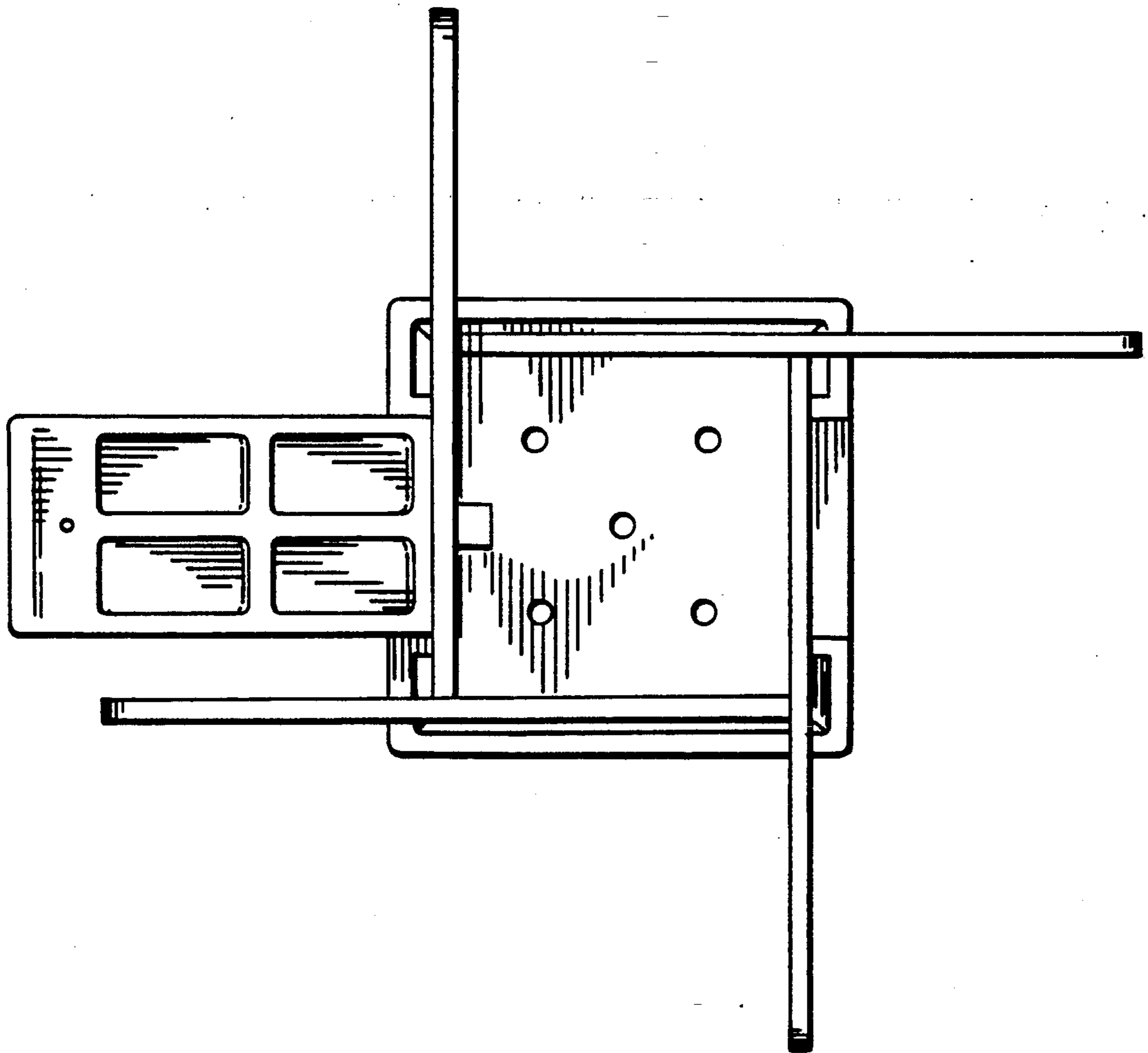


FIG. 6