



US00D334606S

# United States Patent [19]

[11] Patent Number: **Des. 334,606**

Cameron

[45] Date of Patent: **\*\* Apr. 6, 1993**

[54] **GOLF CLUB CHIPPER HEAD**

[76] Inventor: **Don T. Cameron**, 47 Fallingstar,  
Irvine, Calif. 92714

[\*\*] Term: **14 Years**

[21] Appl. No.: **567,673**

[22] Filed: **Aug. 15, 1990**

[52] U.S. Cl. .... **D21/220; D21/219**

[58] Field of Search ..... **D21/214-220;**  
**273/164, 167-175**

[56] **References Cited**

### PUBLICATIONS

Austad's 1989 Xmas Cat., p. 22, lower left, Pinpoint  
Chipper.

Golf Digest, Jul., 1988, p. 102, left, Pinseeker Putter.

*Primary Examiner*—Melvin B. Feifer  
*Attorney, Agent, or Firm*—Knobbe, Martens, Olson &  
Bear

### [57] CLAIM

The ornamental design for a golf club chipper head, as  
shown and described.

### DESCRIPTION

FIG. 1 is a top plan view of a golf club chipper head  
showing my new design;

FIG. 2 is a front elevation thereof;

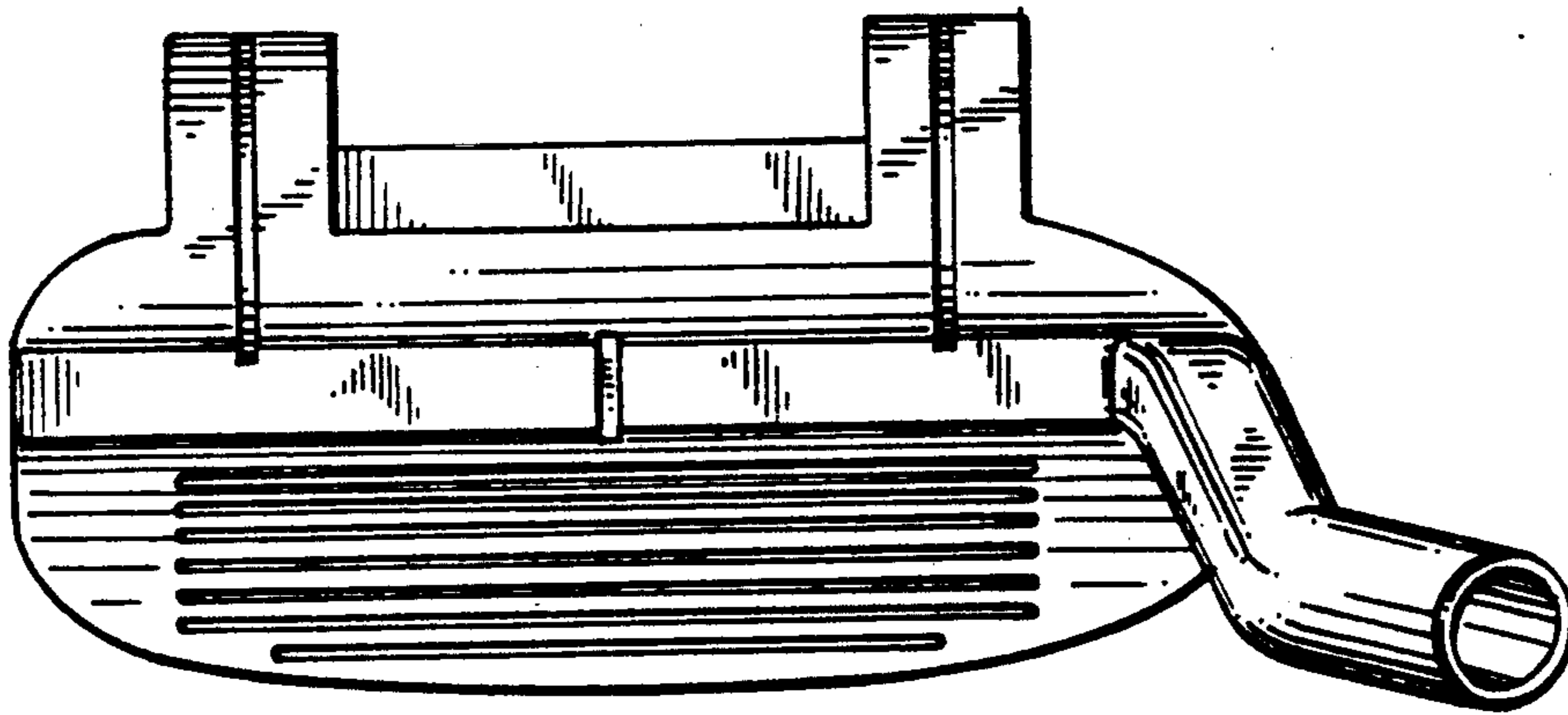
FIG. 3 is a heel end elevation thereof;

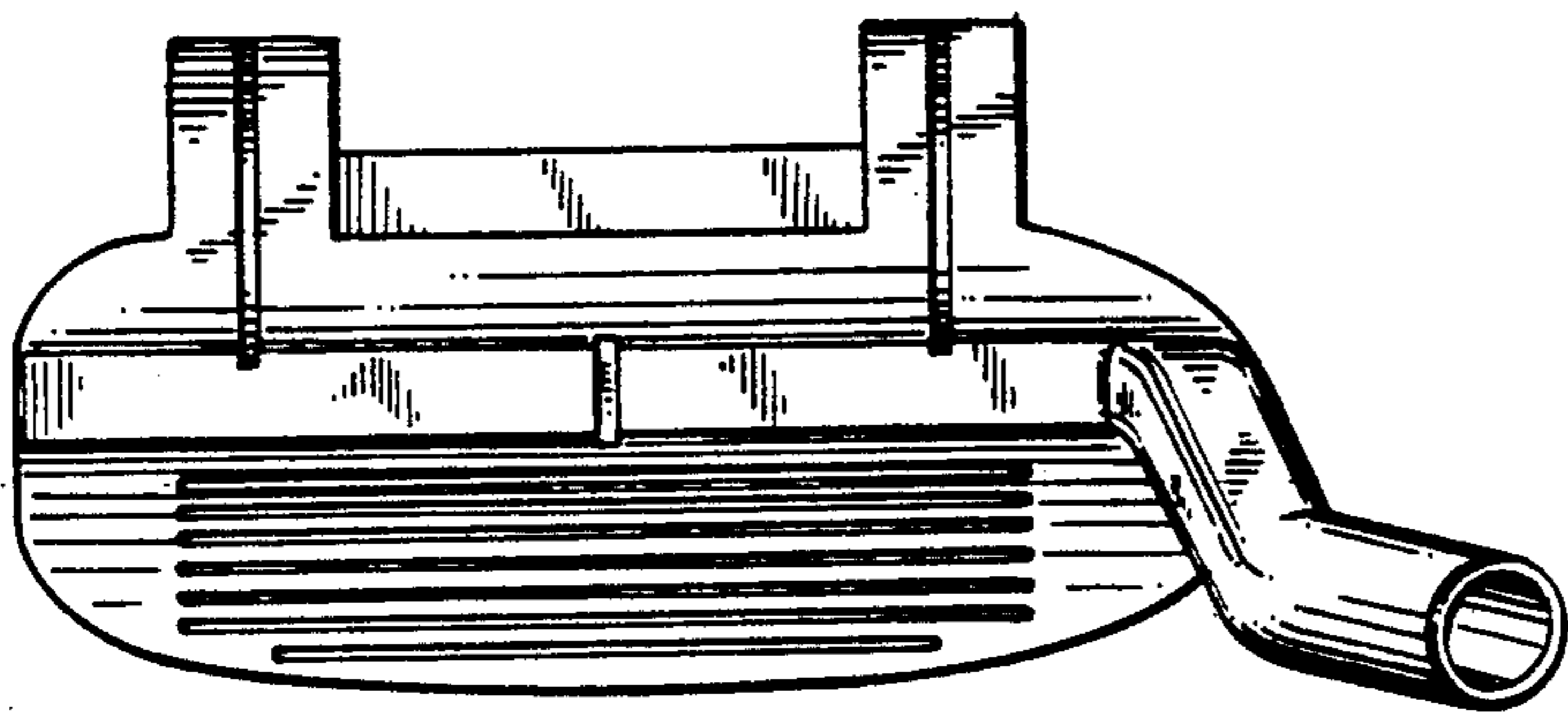
FIG. 4 is a bottom plan view thereof;

FIG. 5 is a rear elevation thereof;

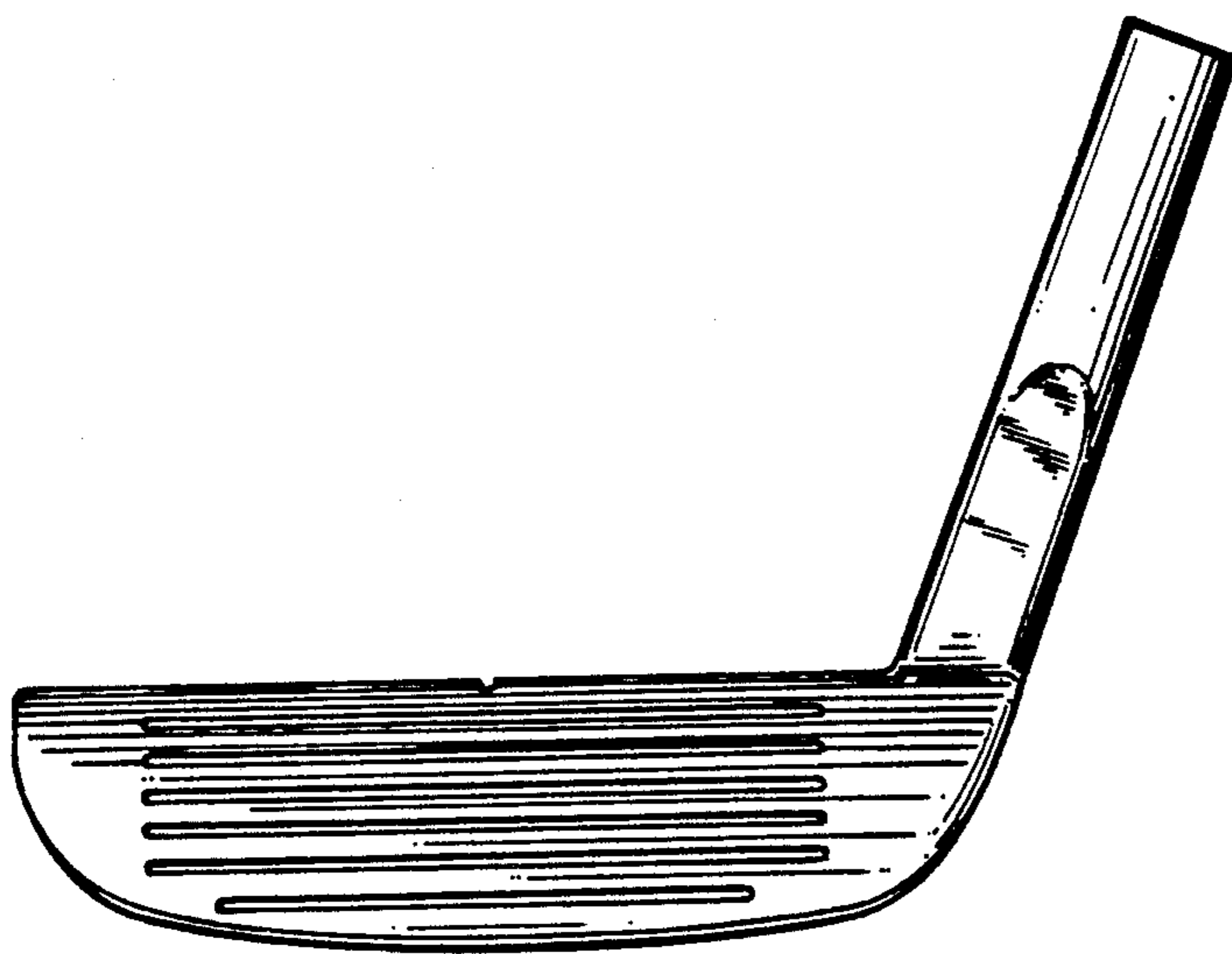
FIG. 6 is a toe end elevation thereof; and,

FIG. 7 is a rear perspective thereof.

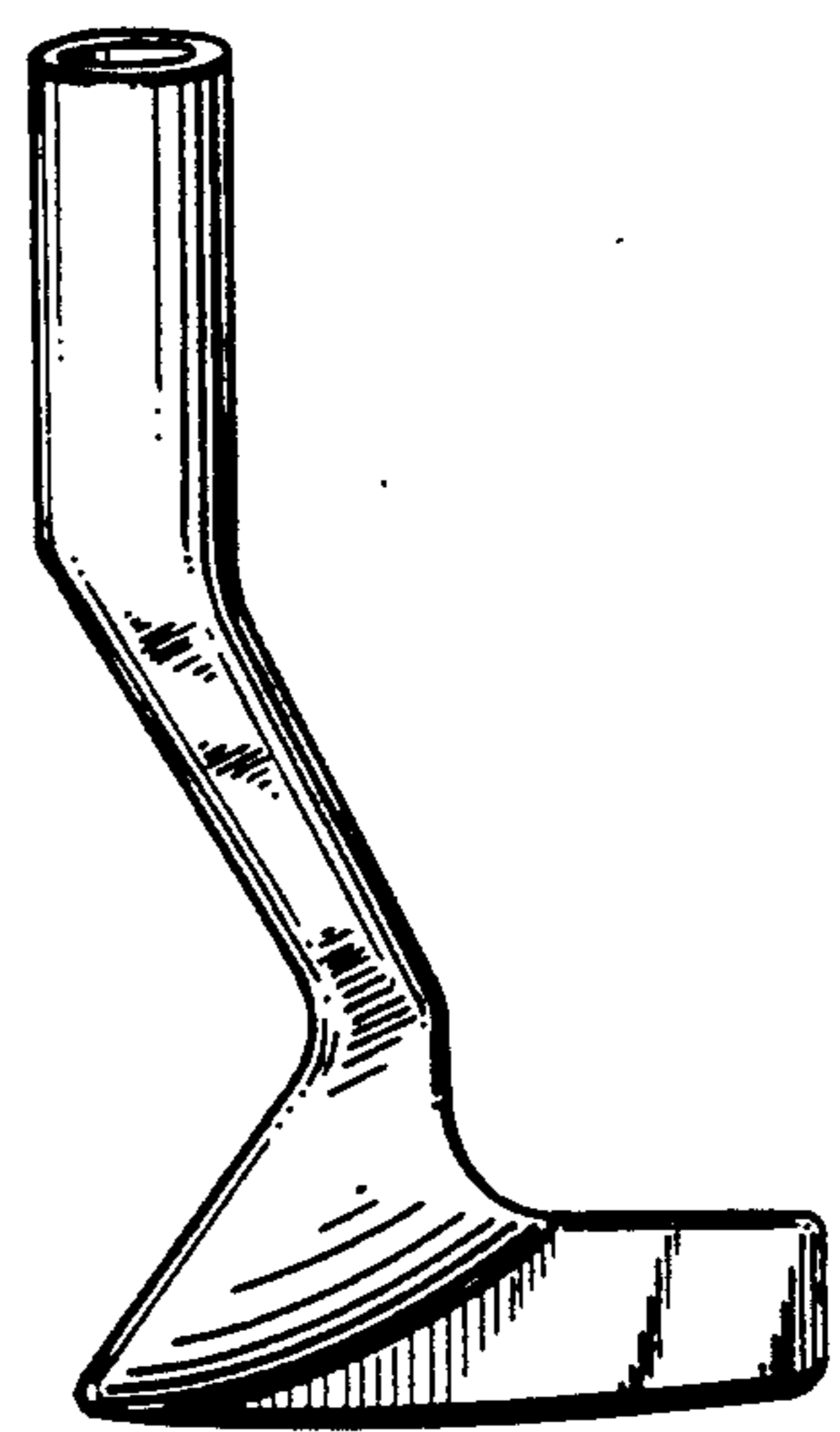




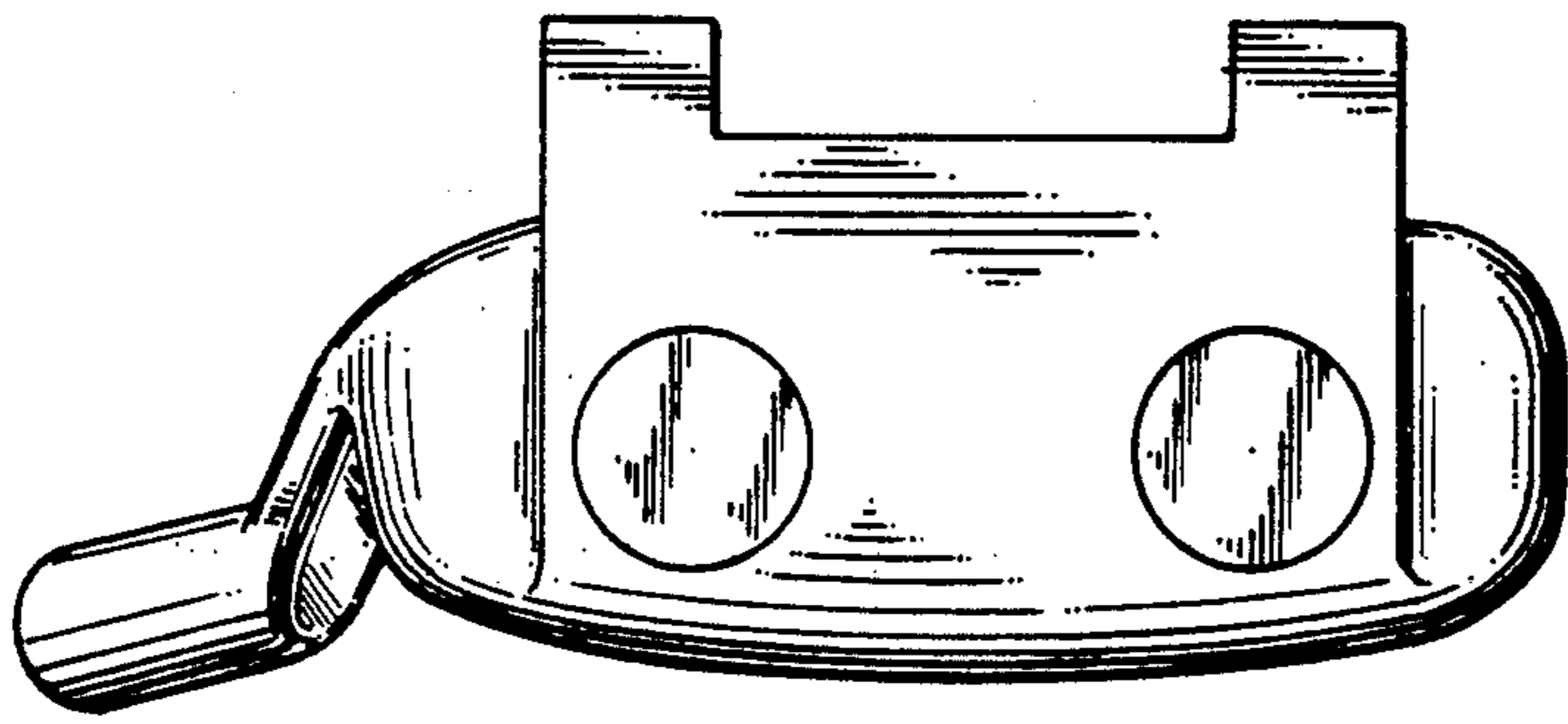
*FIG. 1*



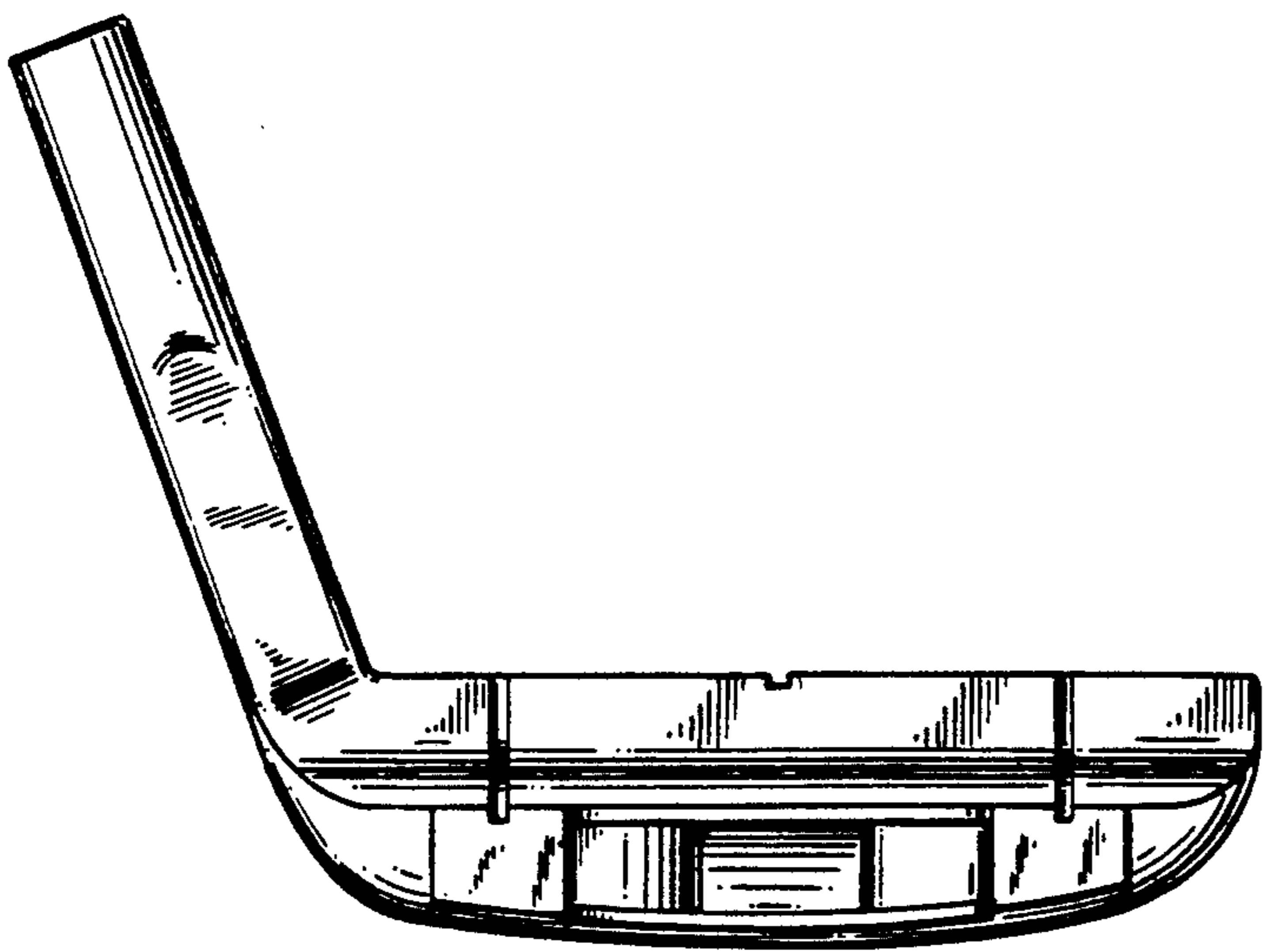
*FIG. 2*



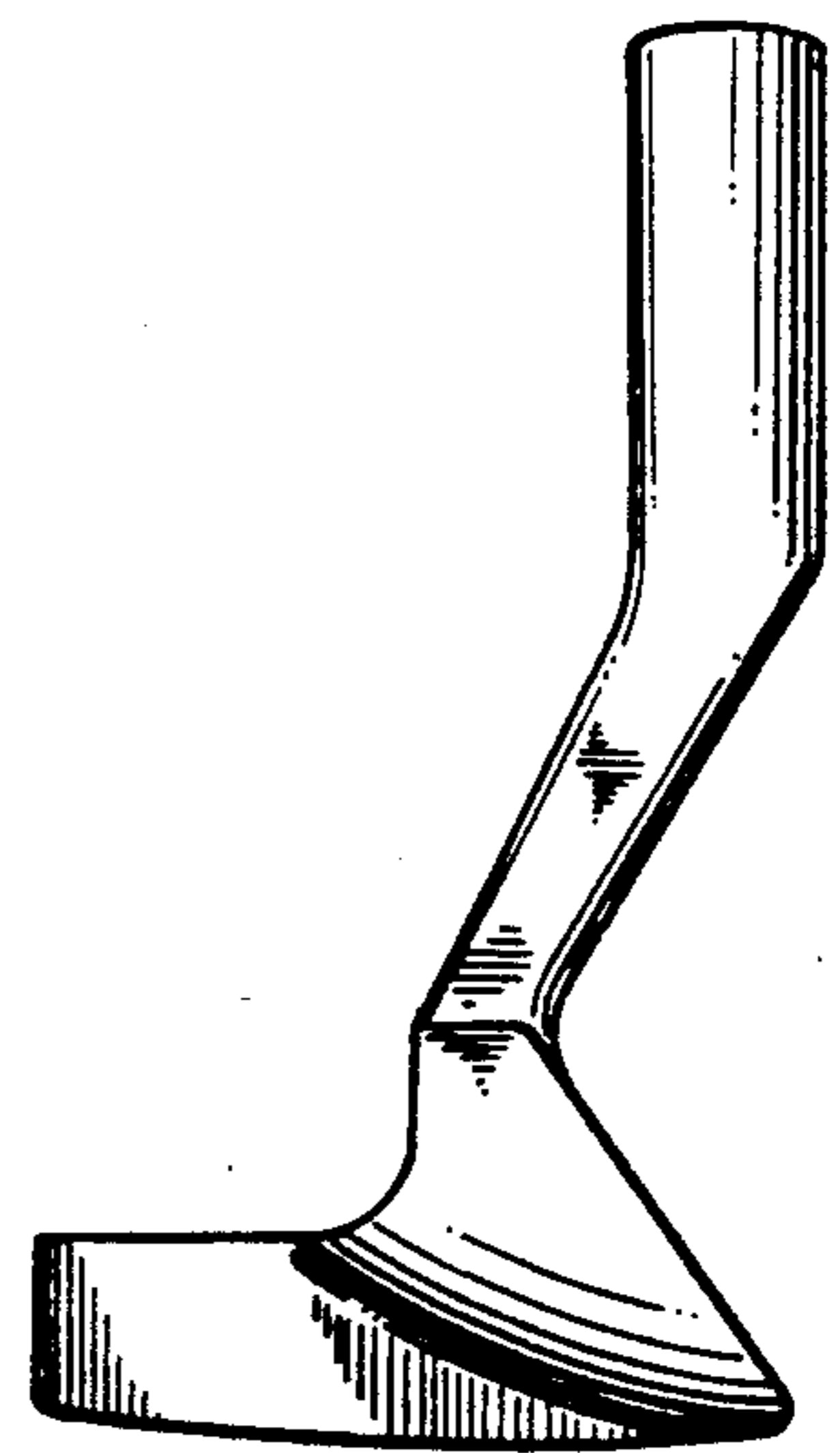
*FIG. 3*



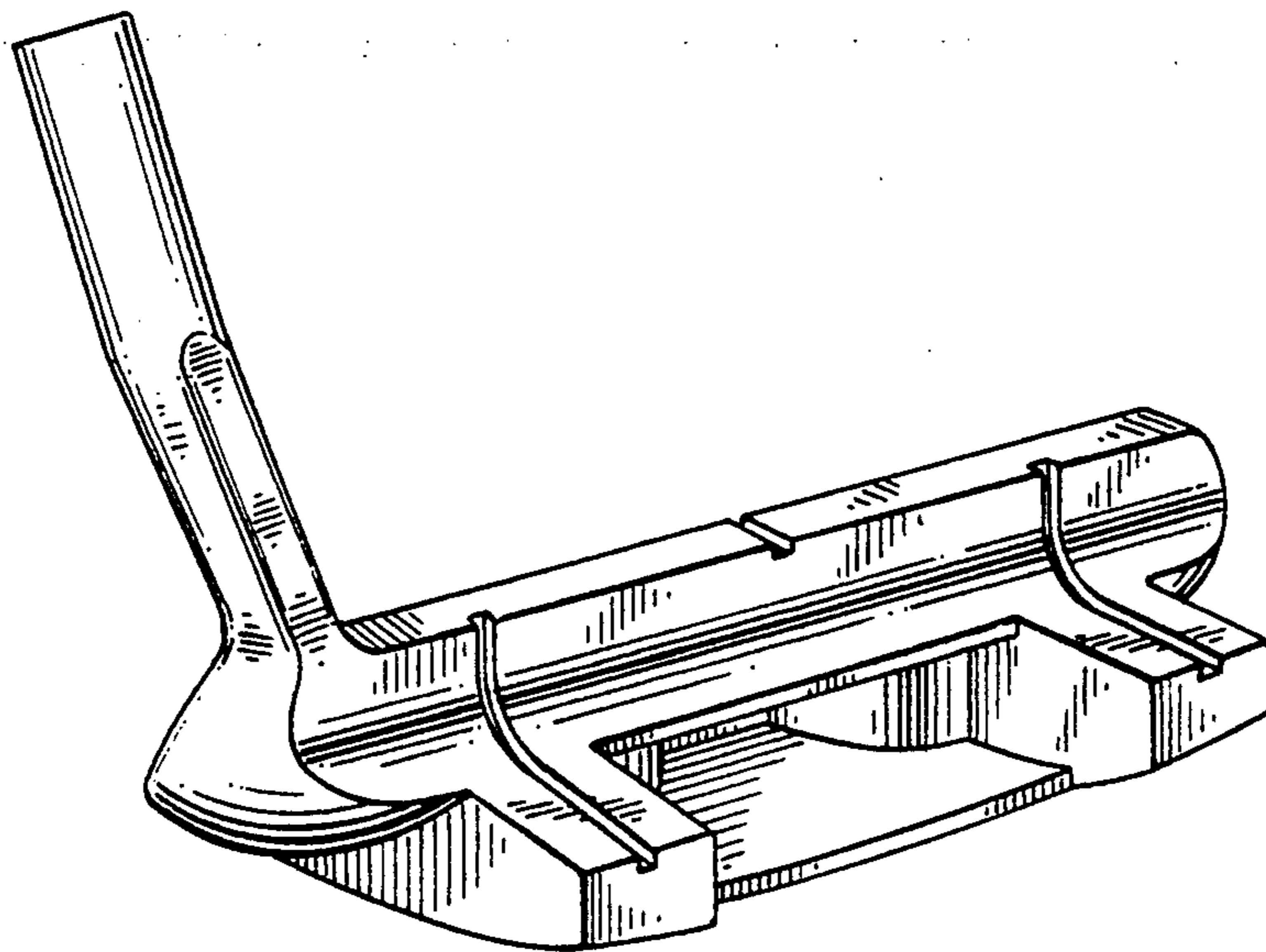
*FIG. 4*



*FIG. 5*



*FIG. 6*



*FIG. 7*