



US00D334601S

United States Patent [19]

[11] Patent Number: **Des. 334,601**

Olsen

[45] Date of Patent: **** Apr. 6, 1993**

[54] **ELEMENT FOR A TOY BUILDING SET**

5,049,104 9/1991 Olsen 446/104

[75] Inventor: **Flemming H. Olsen**, Espergaerde, Denmark

Primary Examiner—Bernard Ansher
Assistant Examiner—R. Barkai
Attorney, Agent, or Firm—Kane, Dalsimer, Sullivan, Kurucz, Levy, Eisele and Richard

[73] Assignee: **Interlego A.G.**, Baar, Switzerland

[**] Term: **14 Years**

[57] **CLAIM**

[21] Appl. No.: **789,127**

The ornamental design for an element for a toy building set, as shown and described.

[22] Filed: **Nov. 6, 1991**

[52] U.S. Cl. **D21/108**

DESCRIPTION

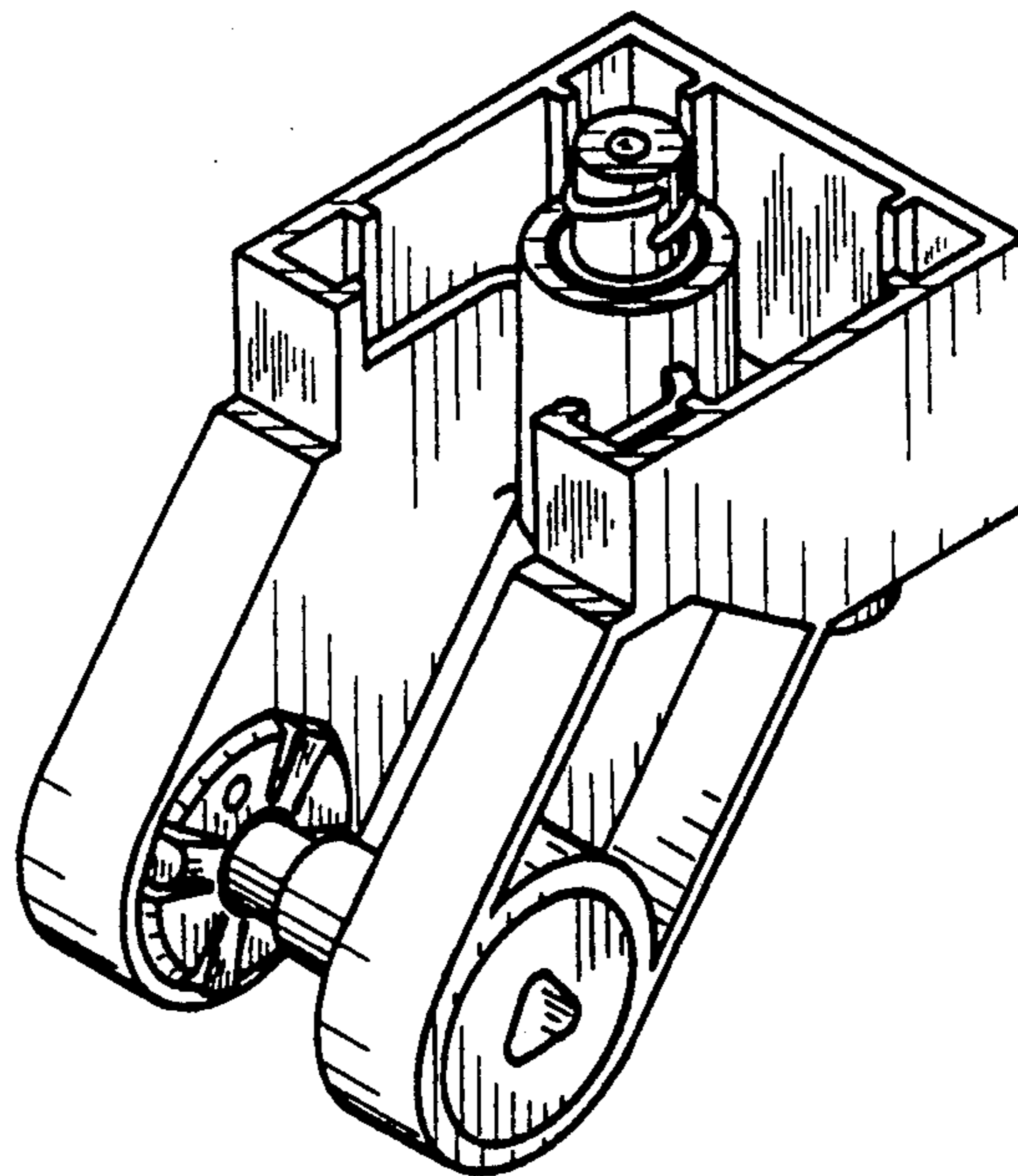
[58] Field of Search **D21/108, 141, 139, 124; 446/104, 128**

FIG. 1 is a top perspective view of the element for a toy building set showing my new design;
FIG. 2 is bottom perspective thereof;
FIG. 3 is a right side elevational view thereof;
FIG. 4 is a front elevational view thereof;
FIG. 5 is a left side elevational view thereof;
FIG. 6 is a rear elevational view thereof;
FIG. 7 is a top plan view thereof; and,
FIG. 8 is a bottom plan view thereof.

[56] **References Cited**

U.S. PATENT DOCUMENTS

D. 295,993	5/1988	Knudsen	D21/108
D. 305,442	1/1990	Knudsen	D21/108
D. 315,182	3/1991	Olsen	D21/108
D. 317,474	6/1991	Olsen	D21/108



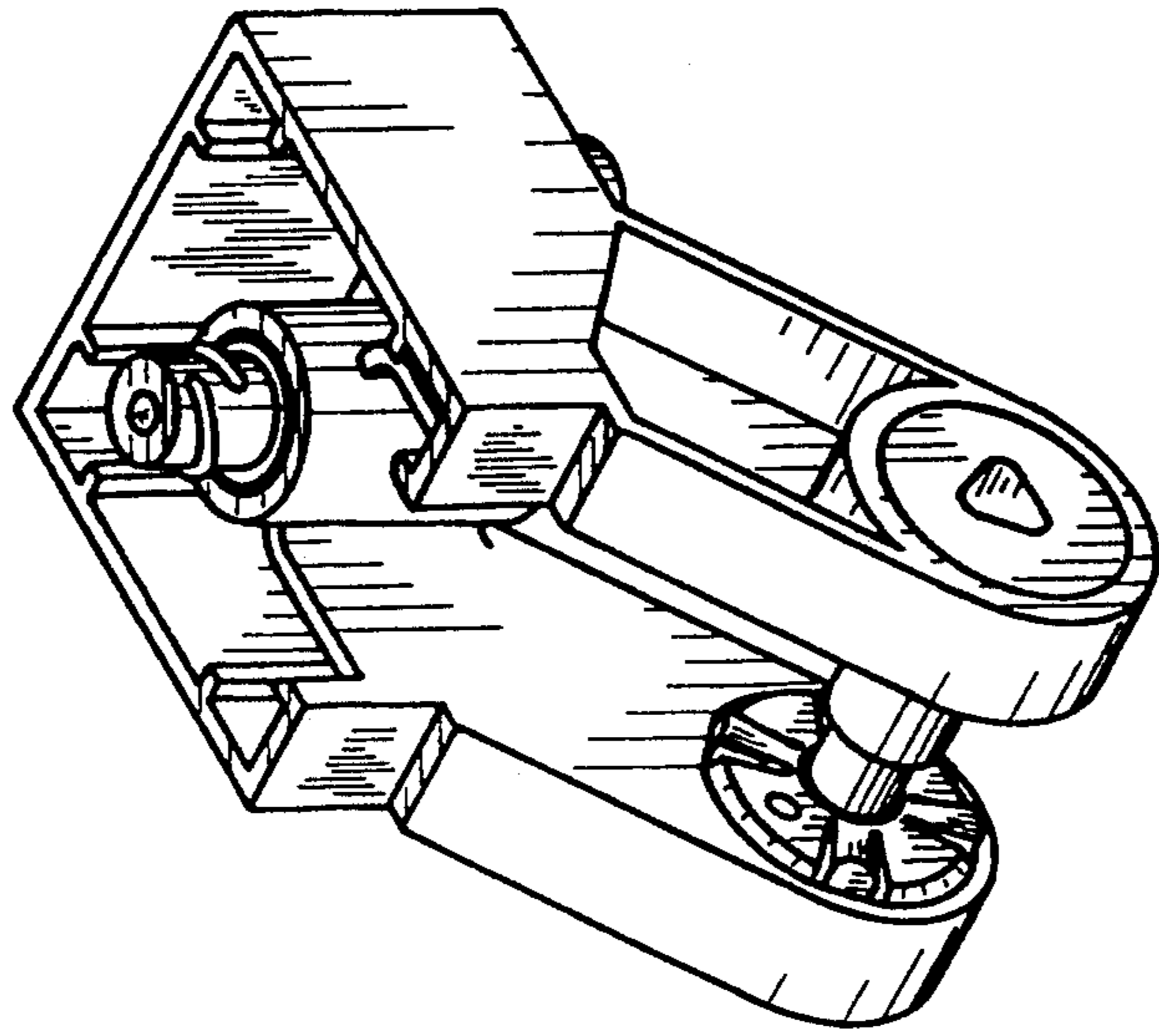


FIG. 2

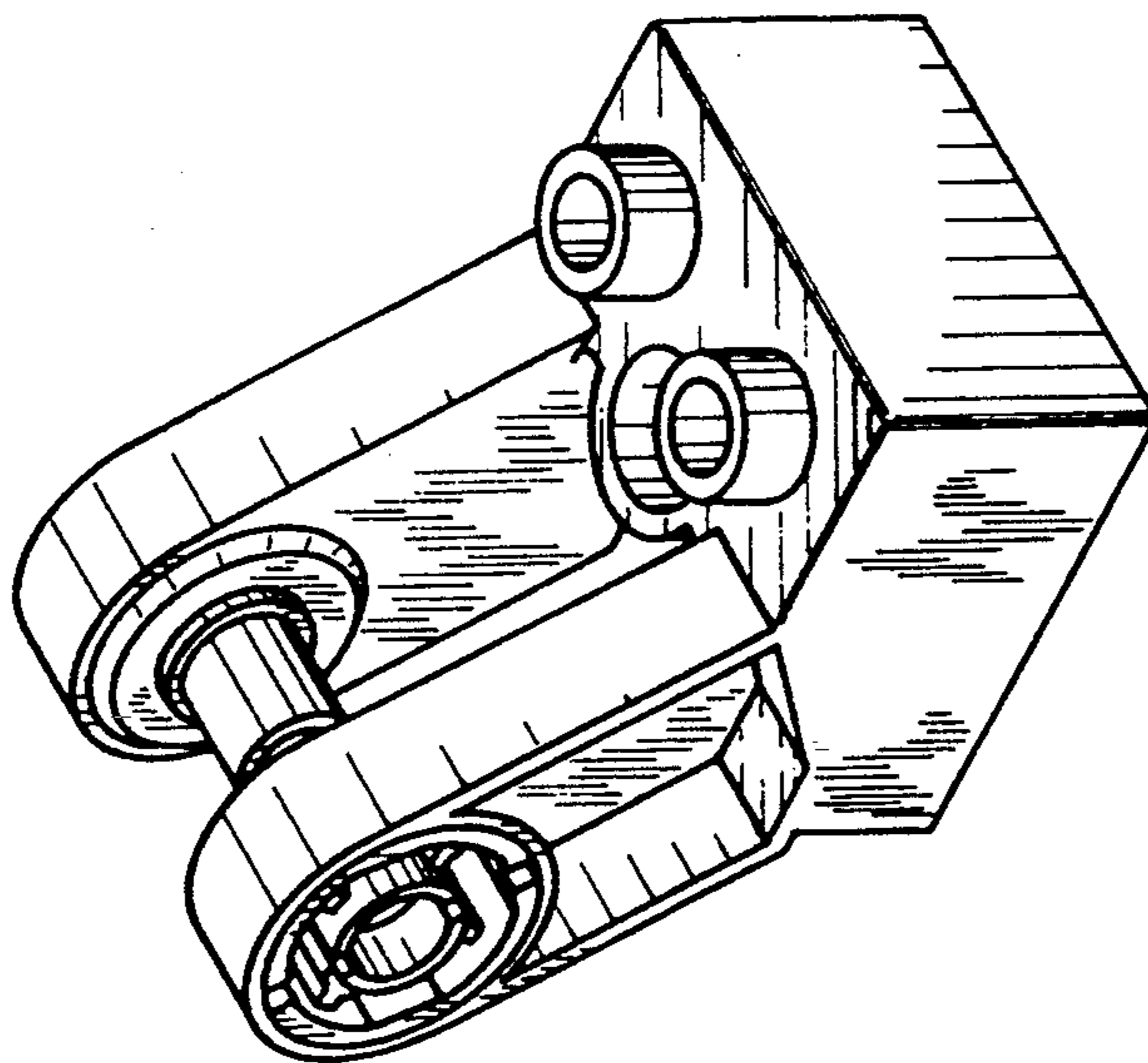


FIG. 1

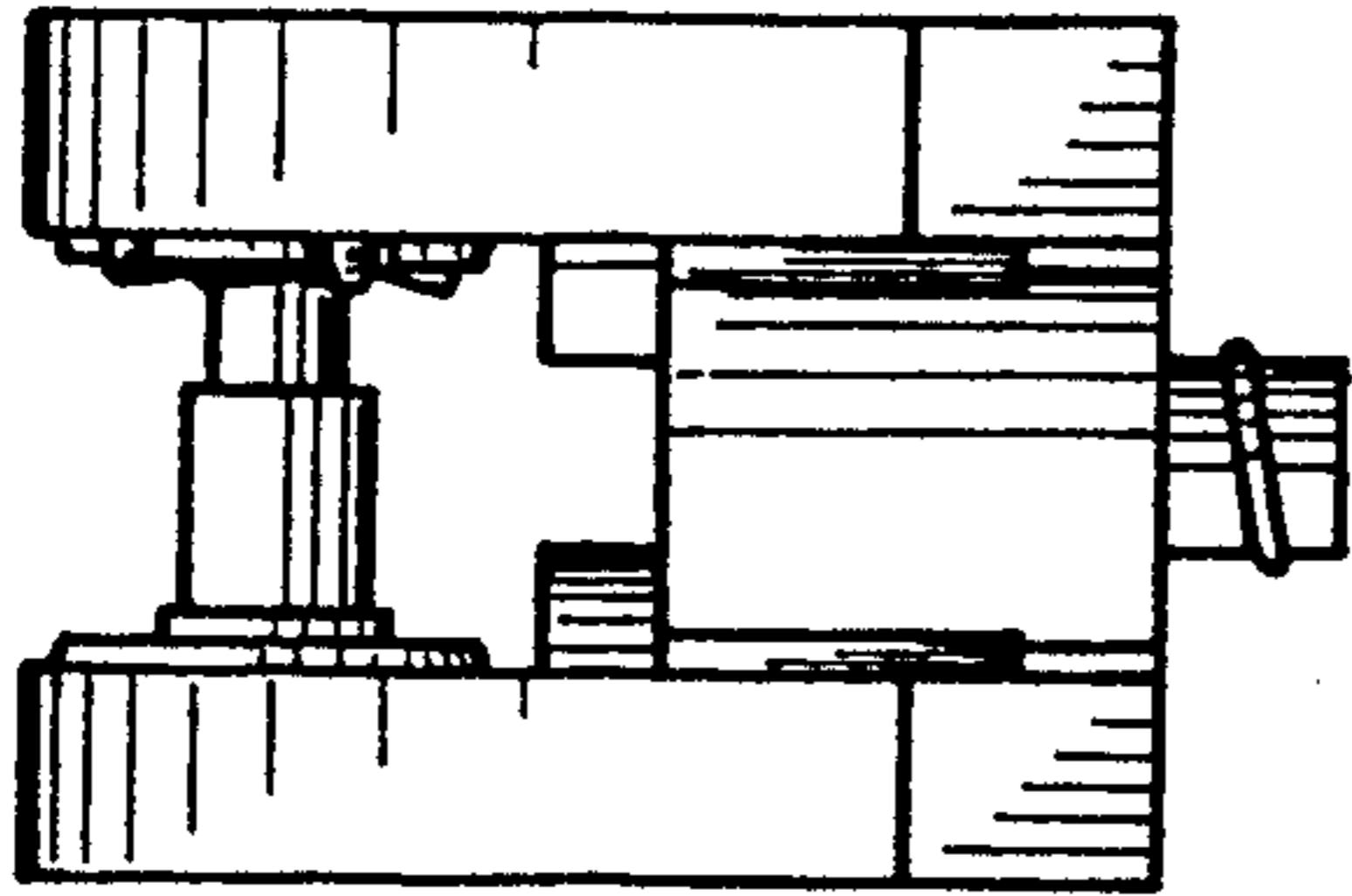


FIG. 3

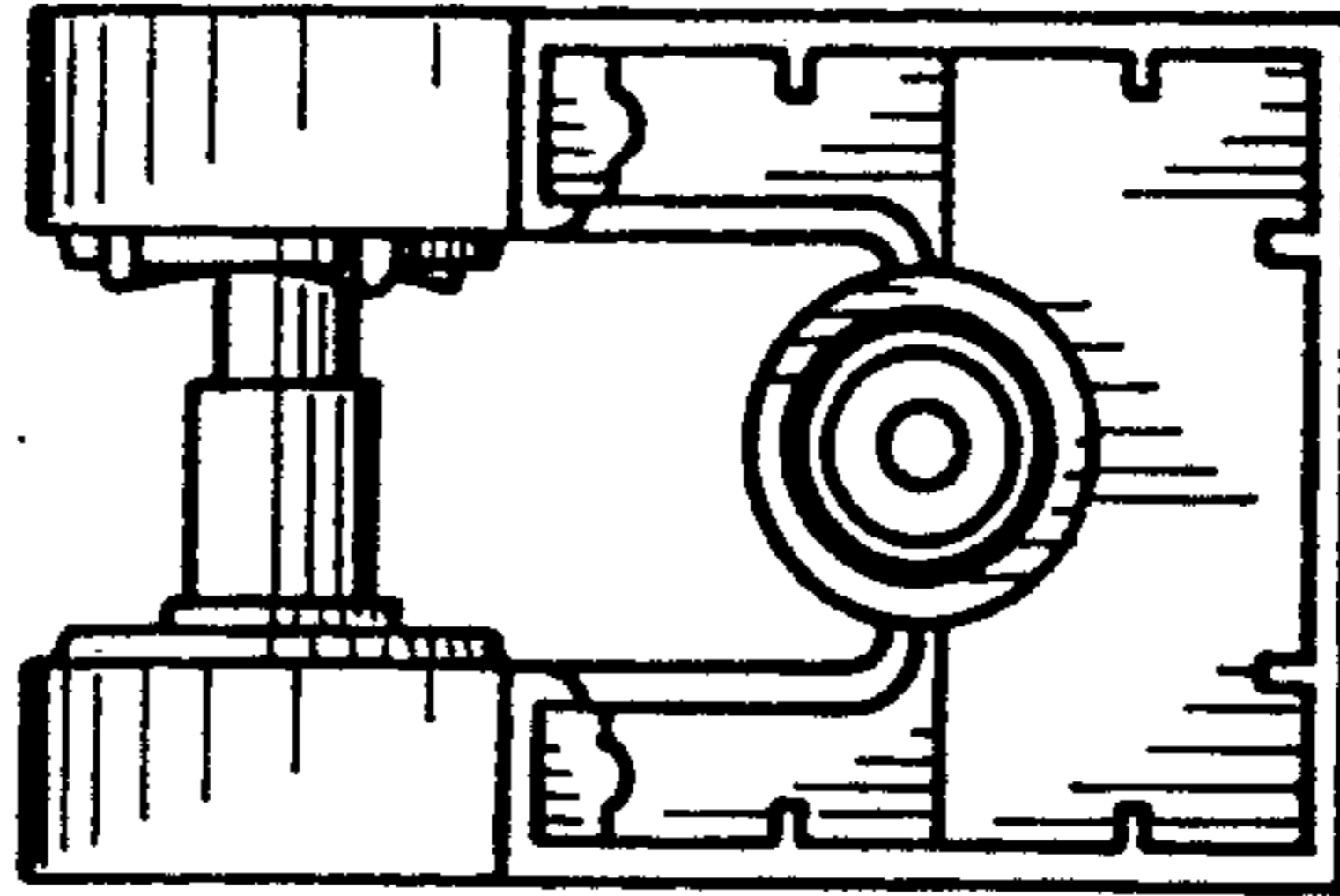


FIG. 8

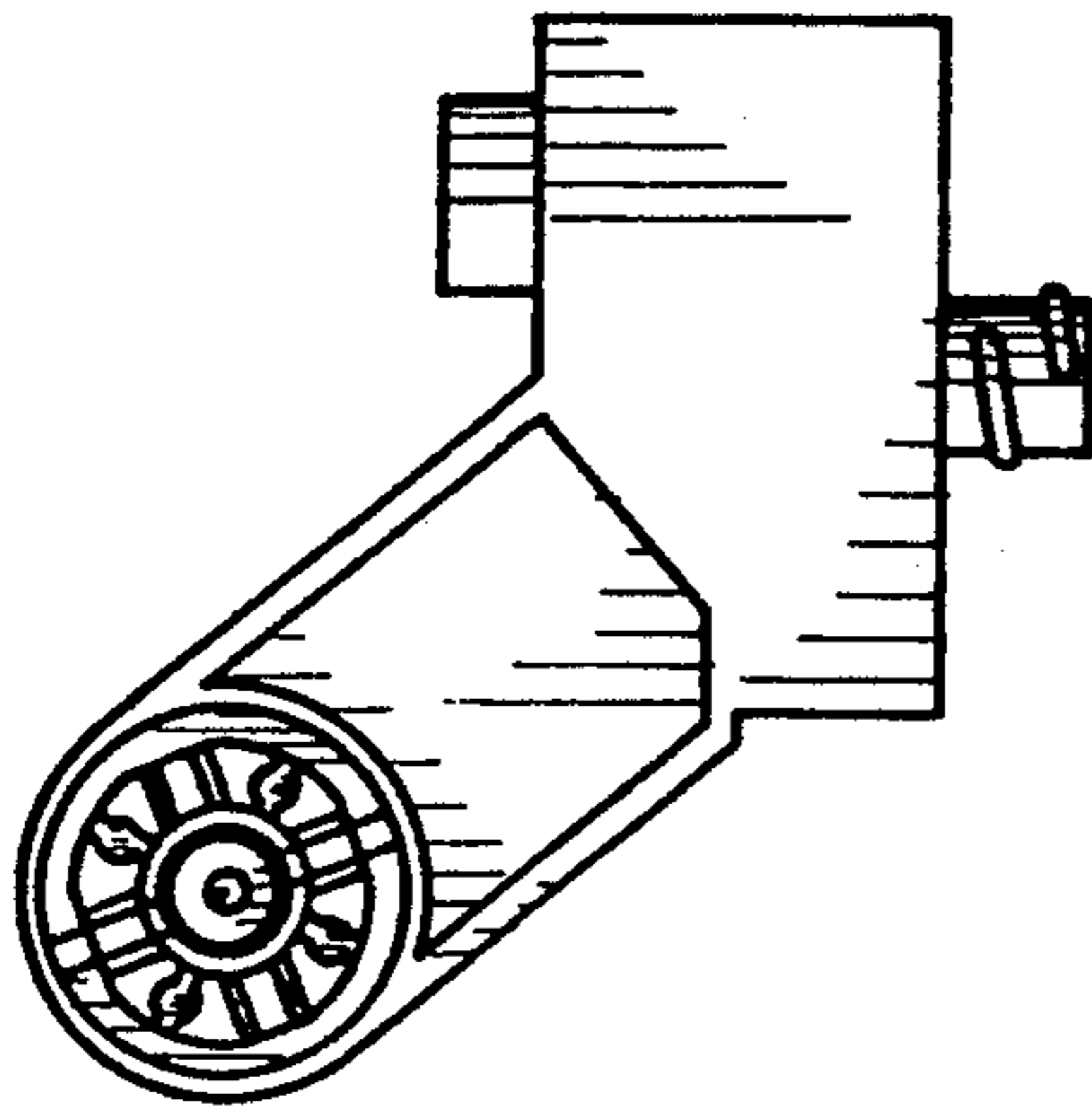


FIG. 4

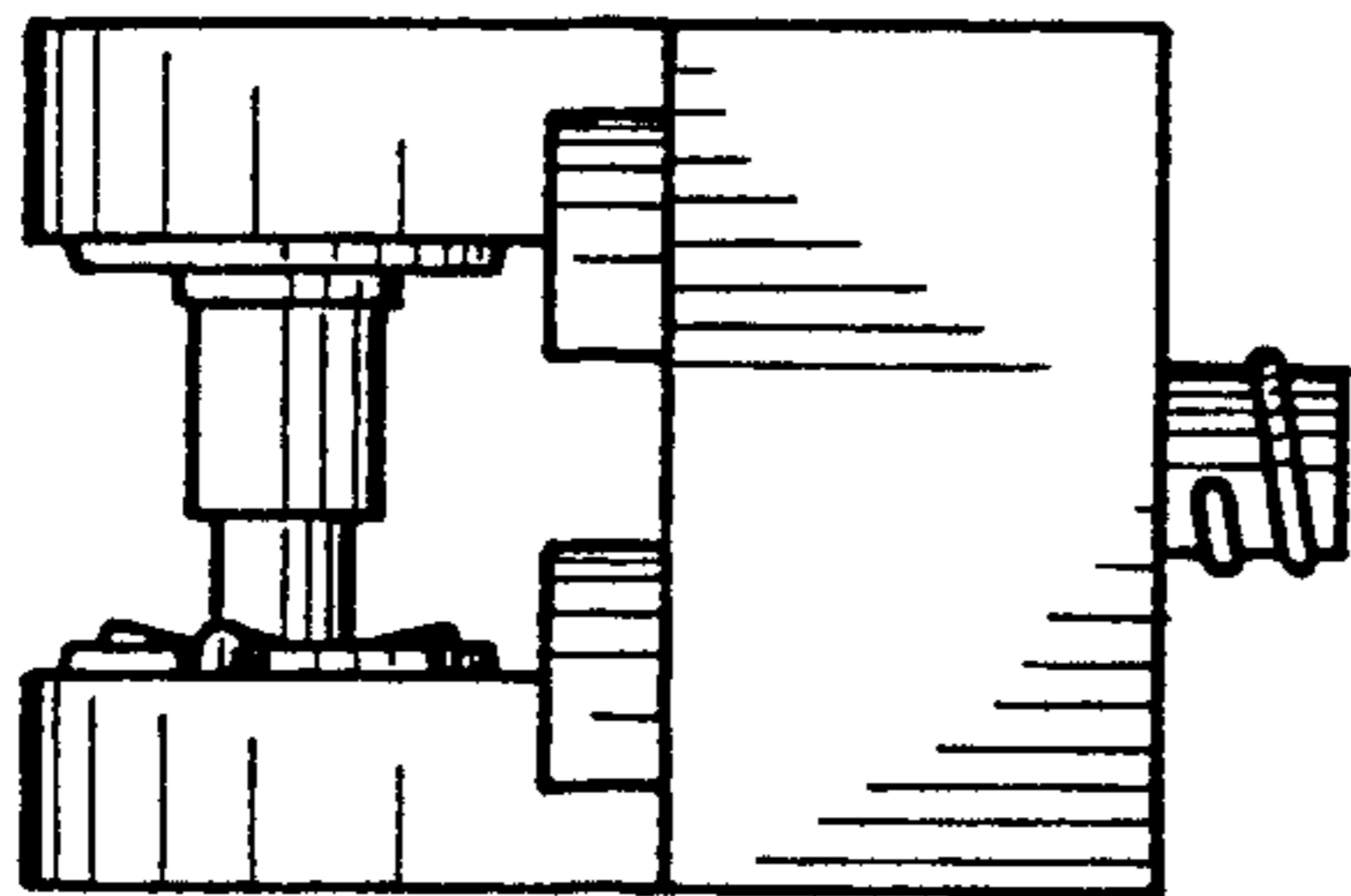


FIG. 5

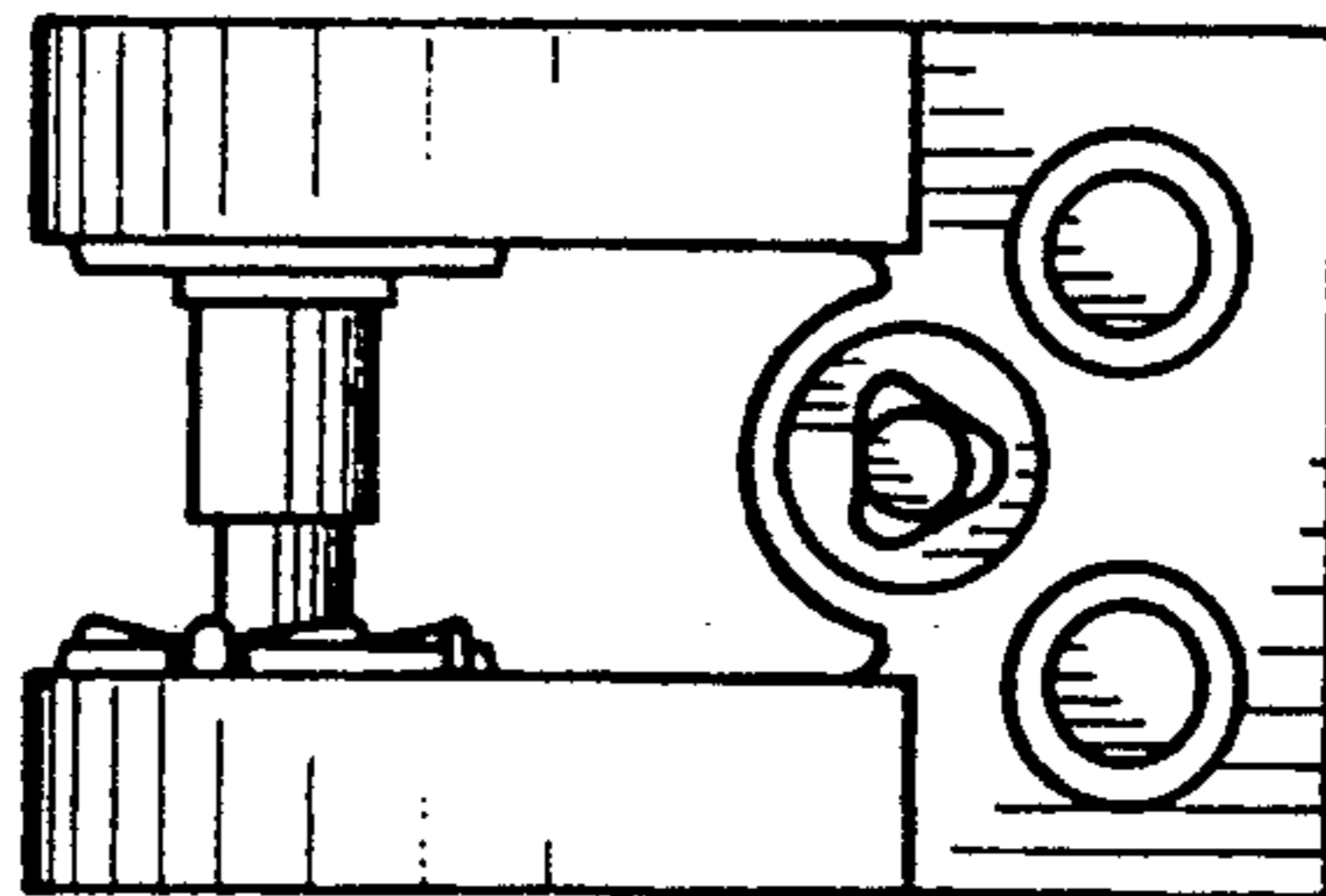


FIG. 7

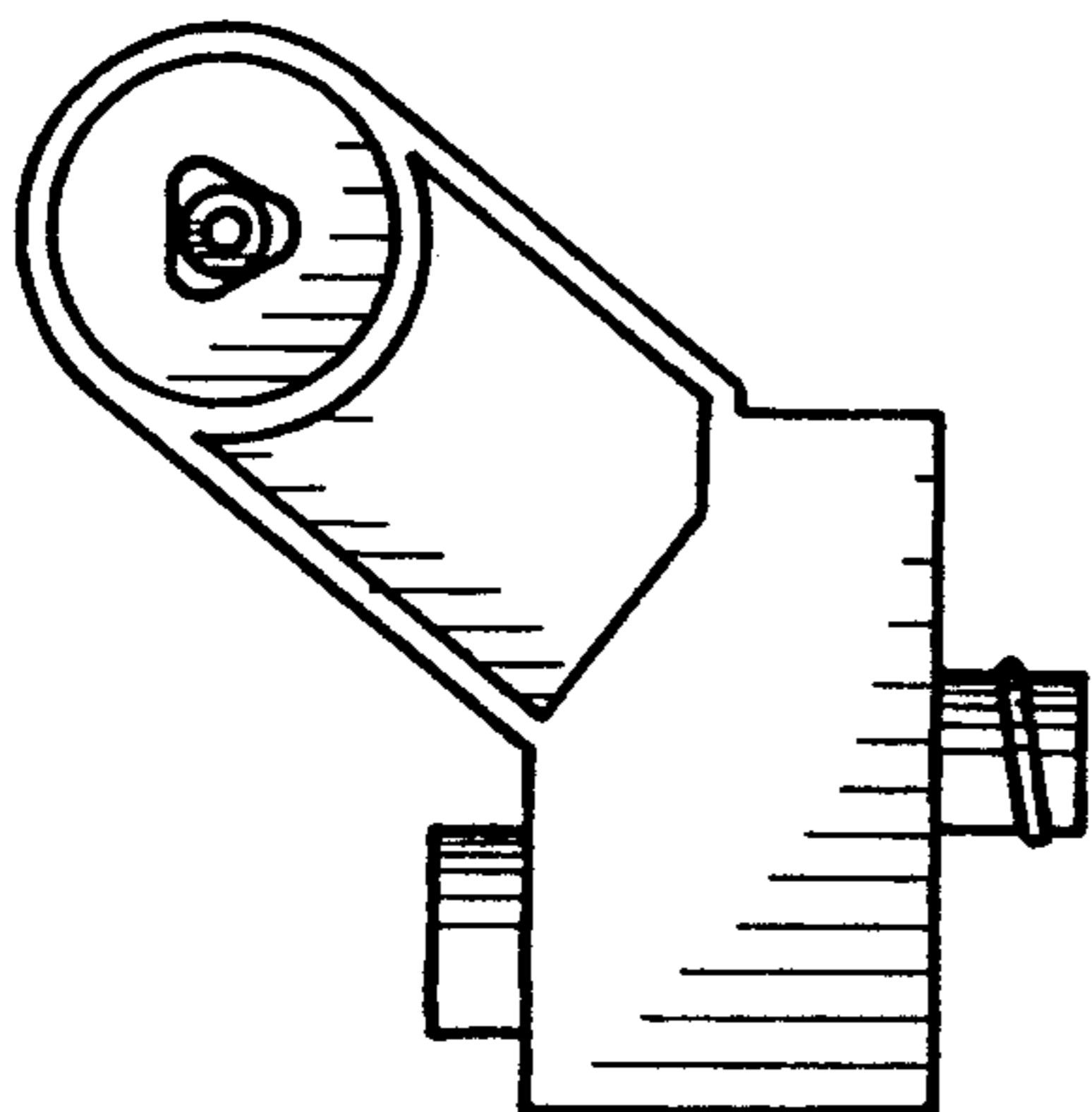


FIG. 6