



US00D334599S

United States Patent [19]

Burke

[11] Patent Number: **Des. 334,599**

[45] Date of Patent: **** Apr. 6, 1993**

[54] PUZZLE TOY

4,741,534 5/1988 Rogahn 273/157
4,776,802 10/1988 Rind 434/406

[76] Inventor: **Virginia Burke**, 603 Susquehanna St.,
Forest City, Pa. 18421

[**] Term: **14 Years**

[21] Appl. No.: **624,243**

[22] Filed: **Dec. 7, 1990**

[52] U.S. Cl. **D21/104; D21/108**

[58] Field of Search **D21/104-108;**
D19/59-64; 273/153 R, 153 P, 153 S, 153 J,
156, 160

OTHER PUBLICATIONS

The Great International Puzzle Store Catalog, Winter
Spring 1984, p. 19, "A.,B. Rhombics".

Primary Examiner—Melvin B. Feifer
Attorney, Agent, or Firm—Terry M. Gernstein

[57] CLAIM

The ornamental design for a puzzle toy, as shown and
described.

DESCRIPTION

FIG. 1 is a front perspective view of a puzzle toy show-
ing my new design;

FIG. 2 is a side elevational view thereof;

FIG. 3 is a rear elevational view thereof; and,

FIG. 4 is a bottom plan view thereof.

[56]

References Cited

U.S. PATENT DOCUMENTS

D. 156,338 12/1949 Holcomb D21/107
D. 268,427 3/1983 Grushkin D21/107
4,308,016 12/1981 White 273/157

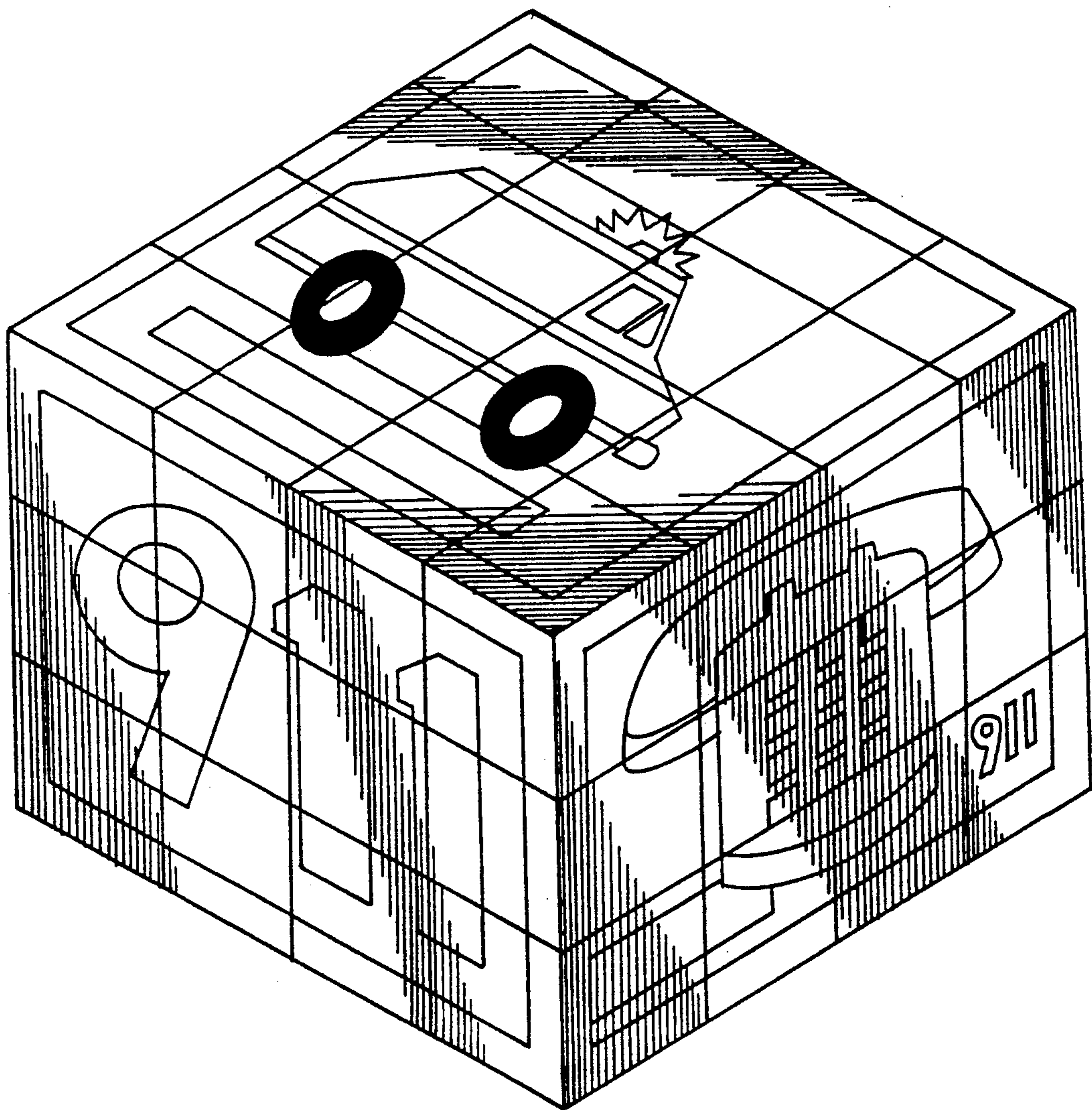


FIG. 1.

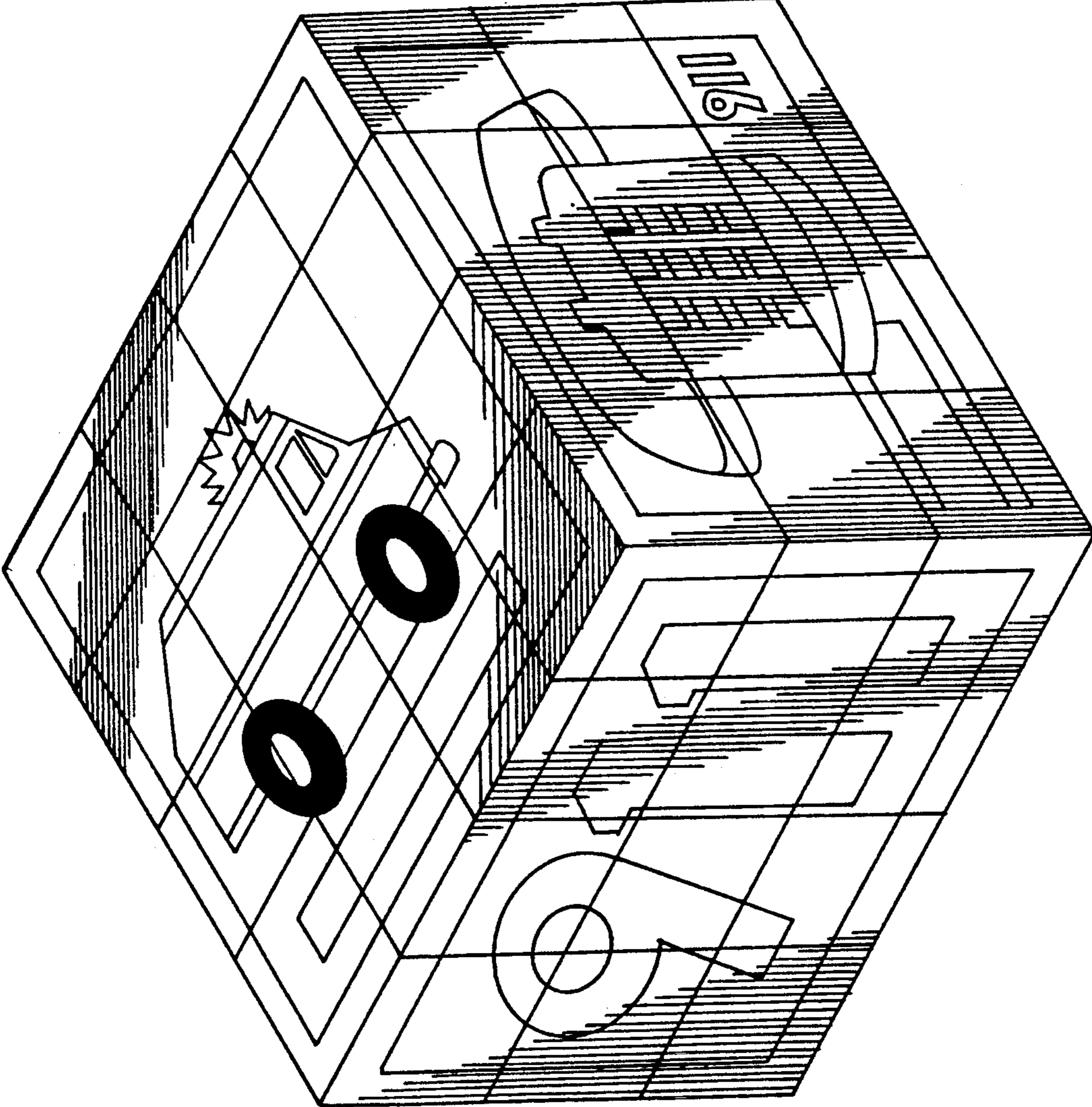


FIG. 2.

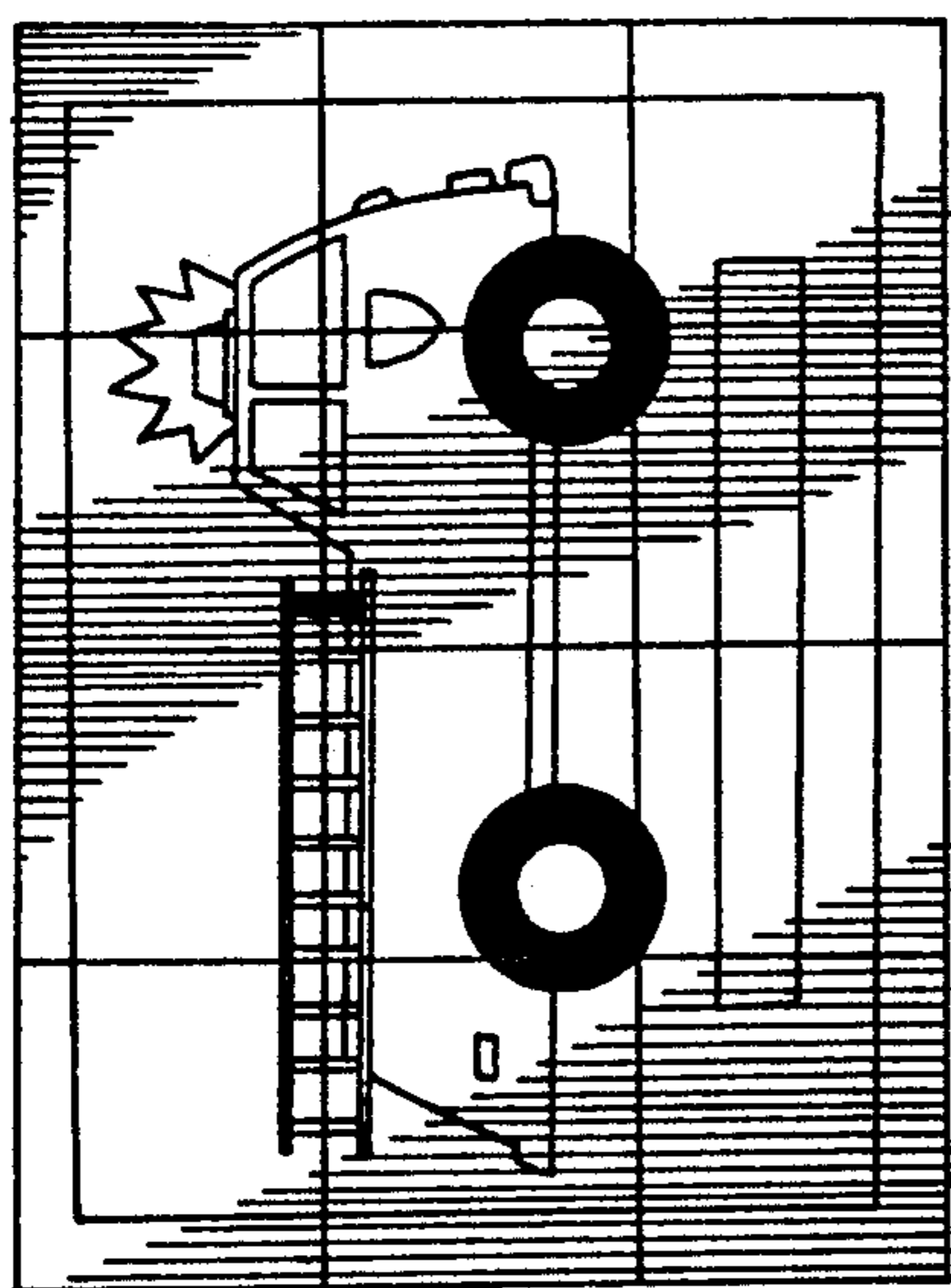


FIG. 3.

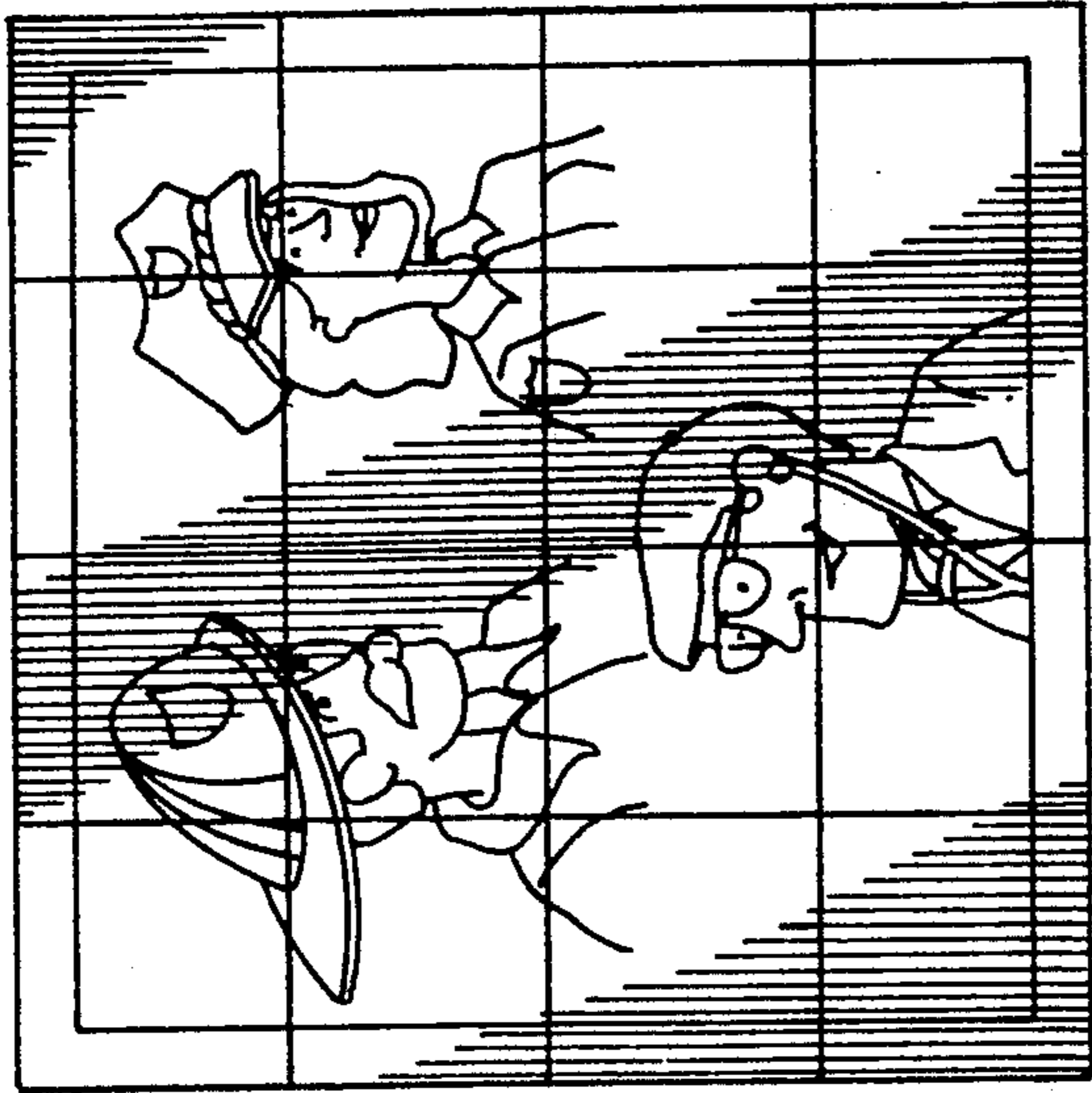
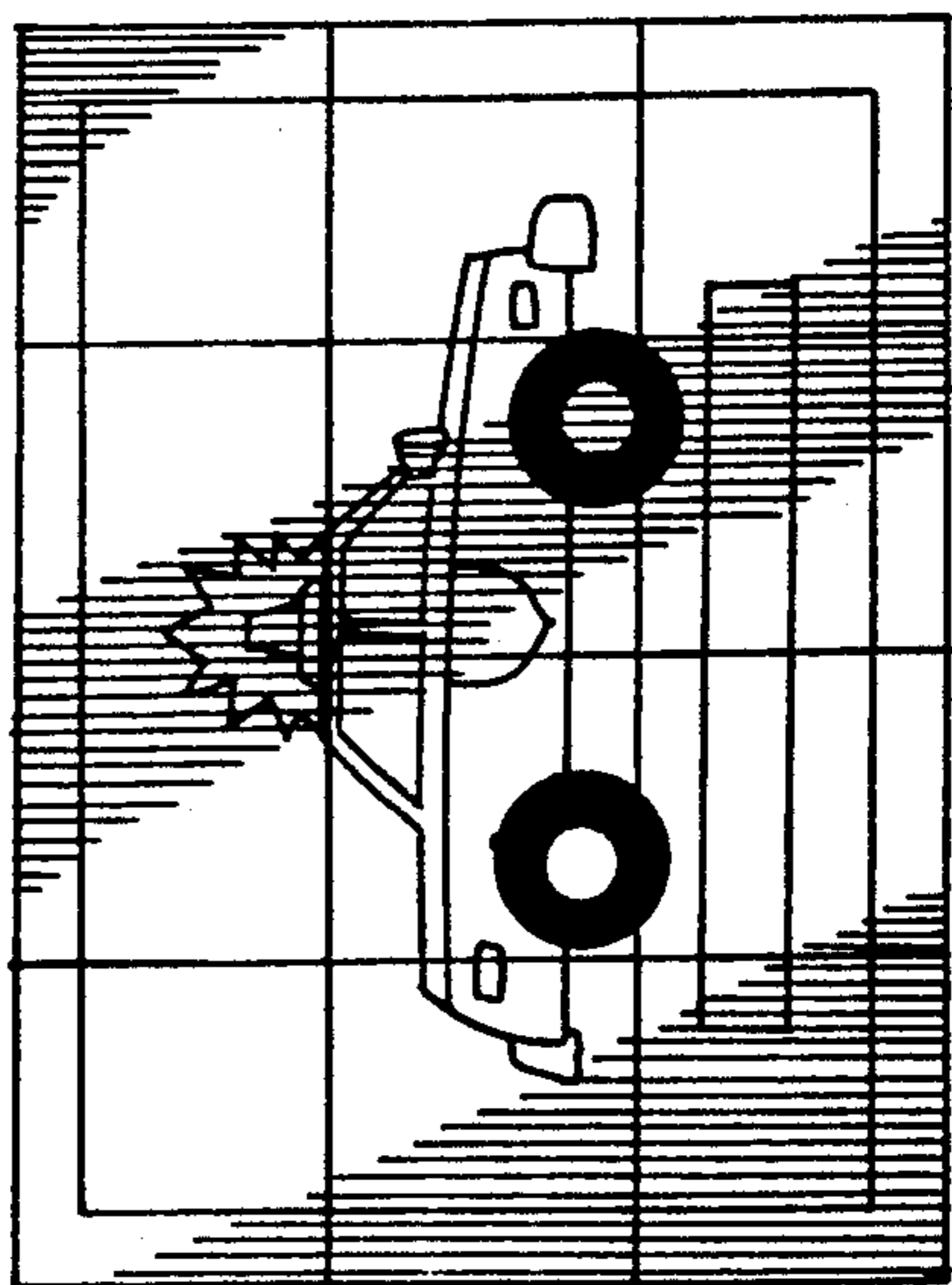


FIG. 4.