



US00D334593S

United States Patent [19]

[11] Patent Number: **Des. 334,593**

Evenson

[45] Date of Patent: **** Apr. 6, 1993**

[54] **DESK TRAY**

[75] Inventor: **Mel Evenson, San Pedro, Calif.**

[73] Assignee: **Eldon Industries, Inc., Inglewood, Calif.**

[**] Term: **14 Years**

[21] Appl. No.: **653,122**

[22] Filed: **Feb. 11, 1991**

[52] U.S. Cl. **D19/92; D19/75; D19/86; D19/95**

[58] Field of Search **D19/49, 75, 78, 86, D19/91, 92, 95, 99, 100; 206/555, 557, 215; 211/10, 11, 50, 55, 126**

[56] **References Cited**

U.S. PATENT DOCUMENTS

D. 101,974	11/1936	Sengbusch	D19/99
D. 105,859	8/1937	Fry	D19/49
D. 115,677	7/1939	Ullmo	D19/52 X
D. 154,300	6/1949	Morris	D19/92
D. 259,428	6/1981	Macowski	D19/92

D. 269,017	5/1983	Martin	D19/92
D. 309,918	8/1990	Evenson	D19/92
D. 310,108	8/1990	Rittenhouse	D19/86 X
D. 323,188	1/1992	Evenson et al.	D19/20
D. 323,855	2/1992	Evenson	D19/92
4,534,475	8/1985	Mayo	211/126

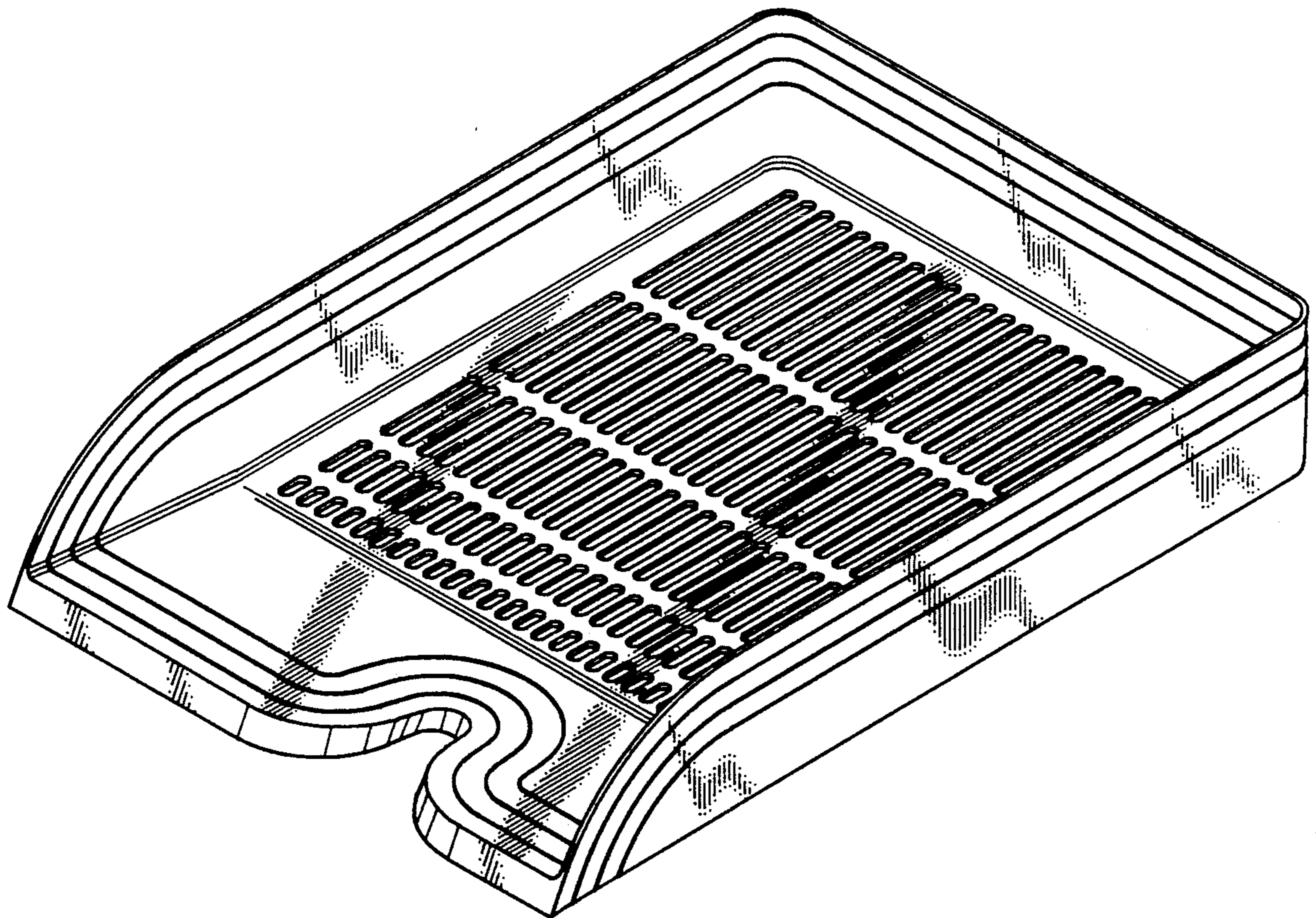
Primary Examiner—Nelson C. Holtje
Assistant Examiner—Martha Thompson

[57] CLAIM

The ornamental design for a desk tray, as shown and described.

DESCRIPTION

FIG. 1 is a front elevational view of a desk tray showing my new design;
FIG. 2 is a rear elevational view;
FIG. 3 is a right side elevational view, the left side being a mirror image thereof;
FIG. 4 is a top plan view;
FIG. 5 is a bottom plan view; and,
FIG. 6 is a top right front perspective view thereof drawn to a reduced scale.



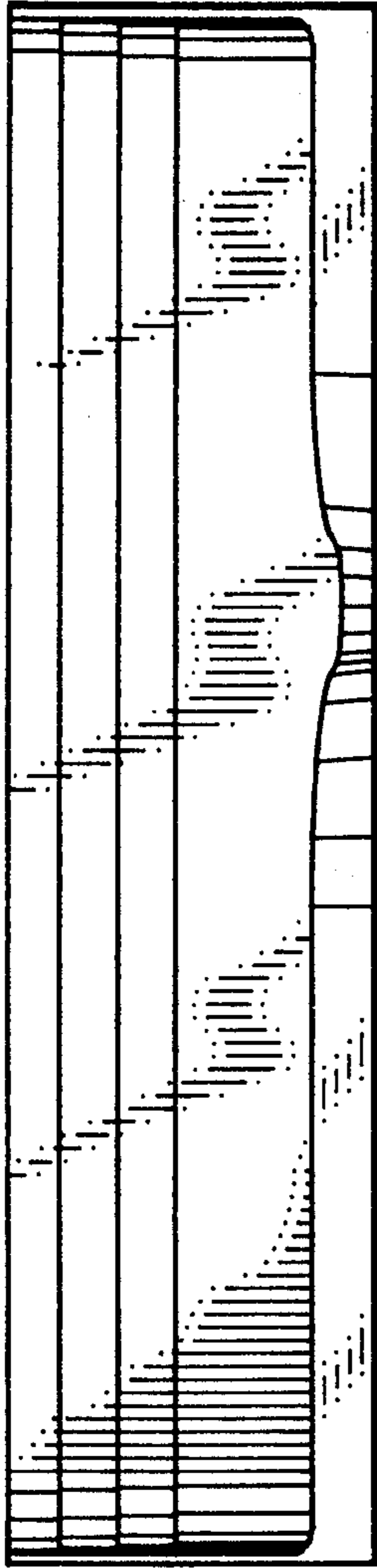


FIG. 1

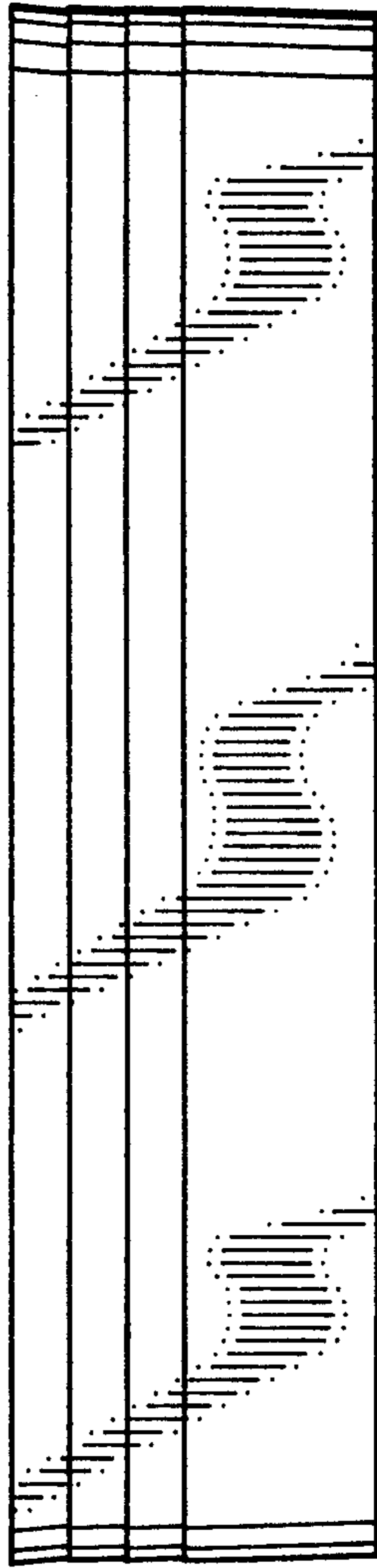


FIG. 2

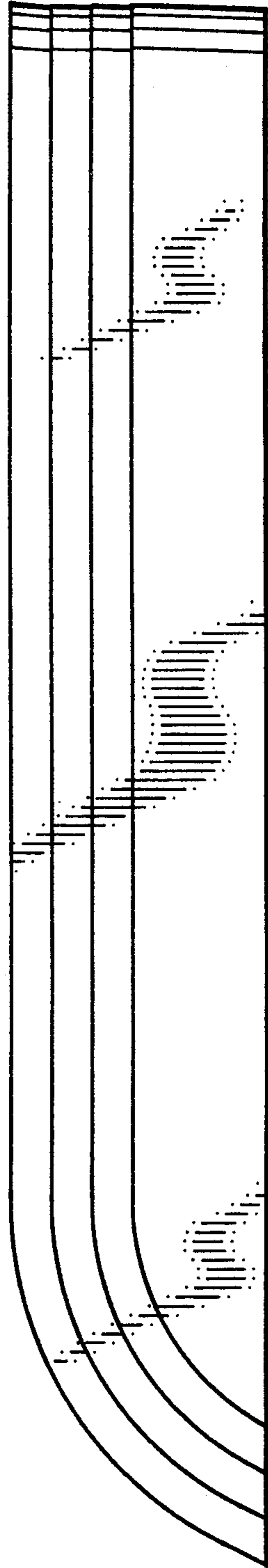


FIG. 3

FIG. 4

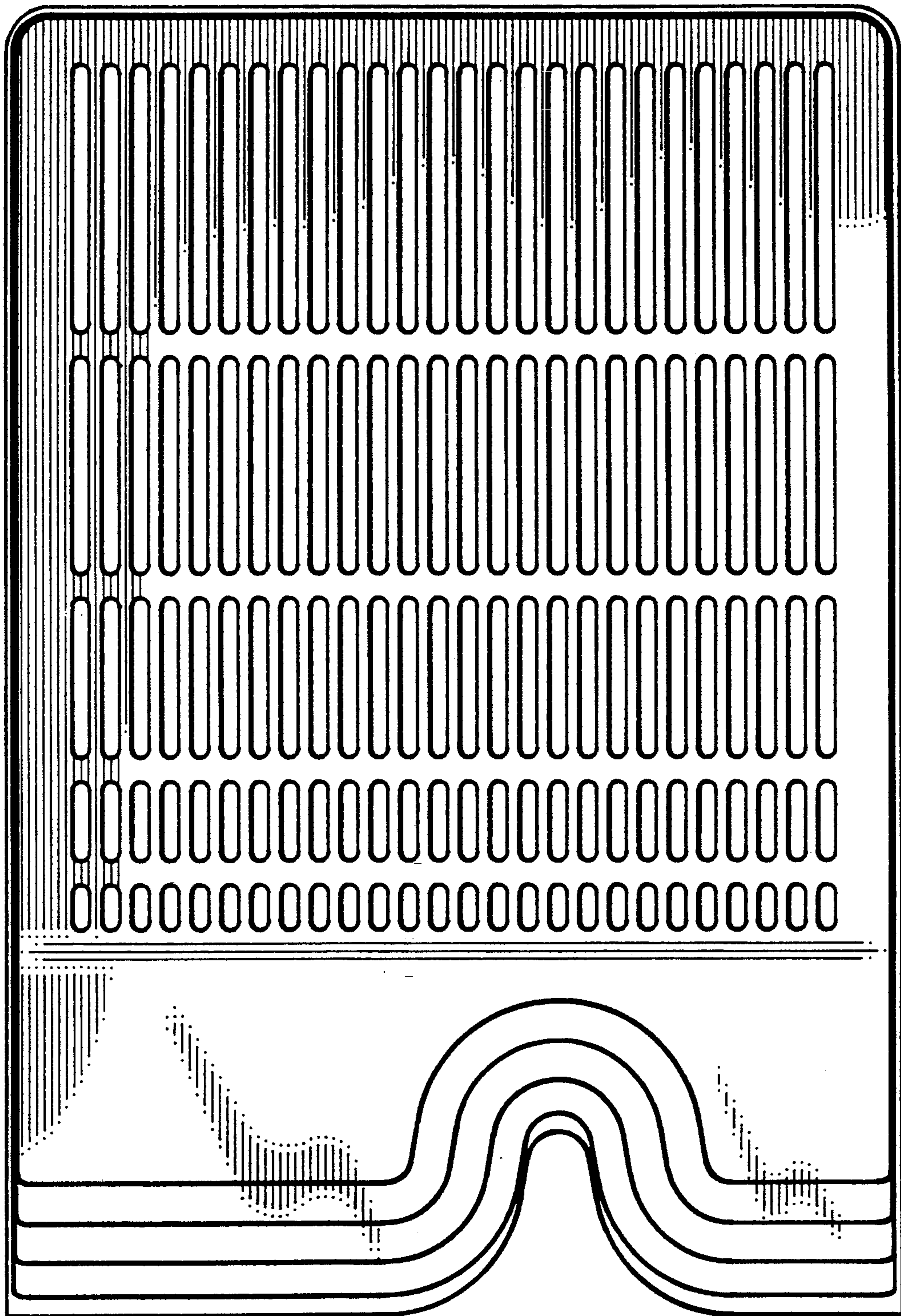
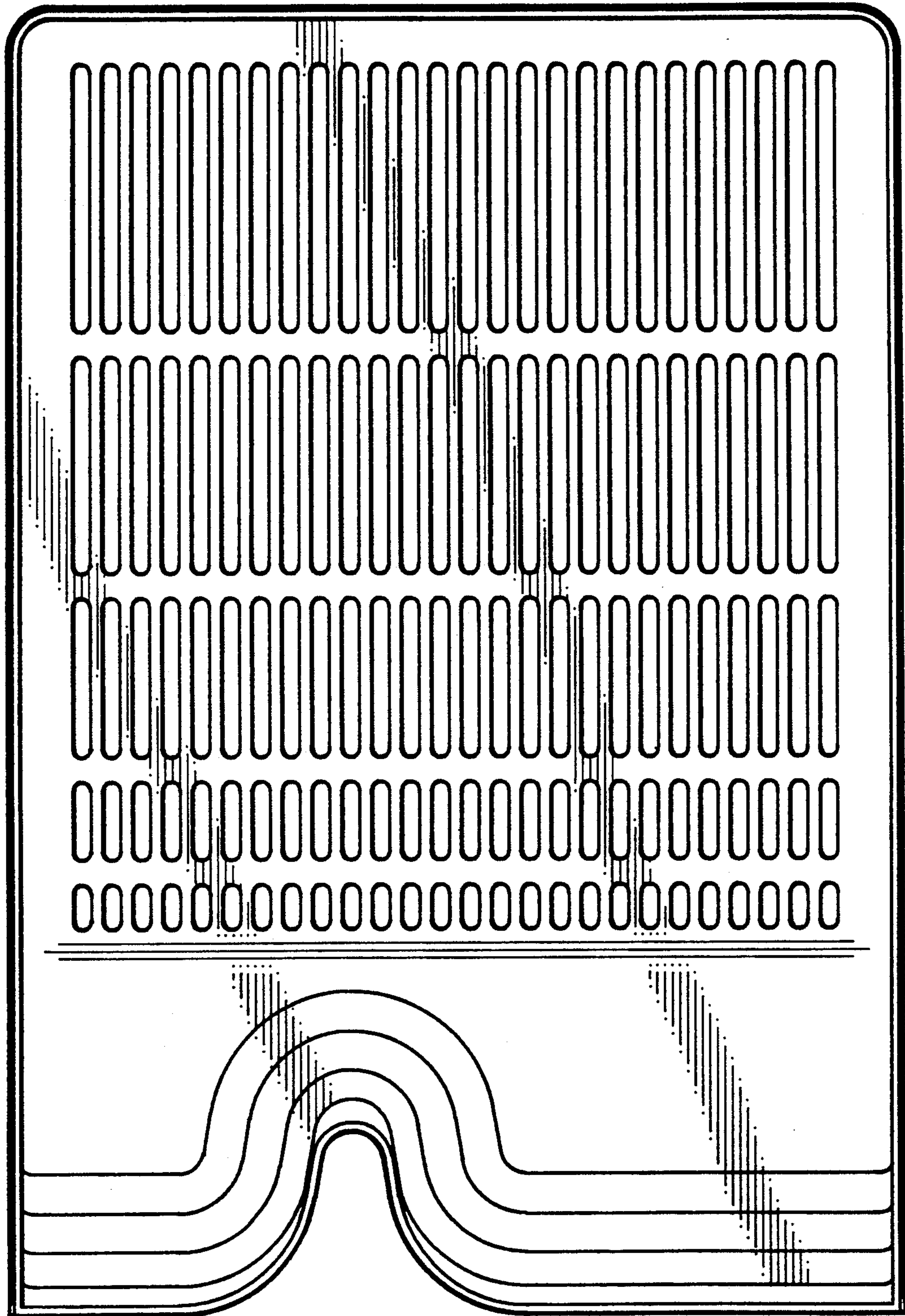


FIG. 5



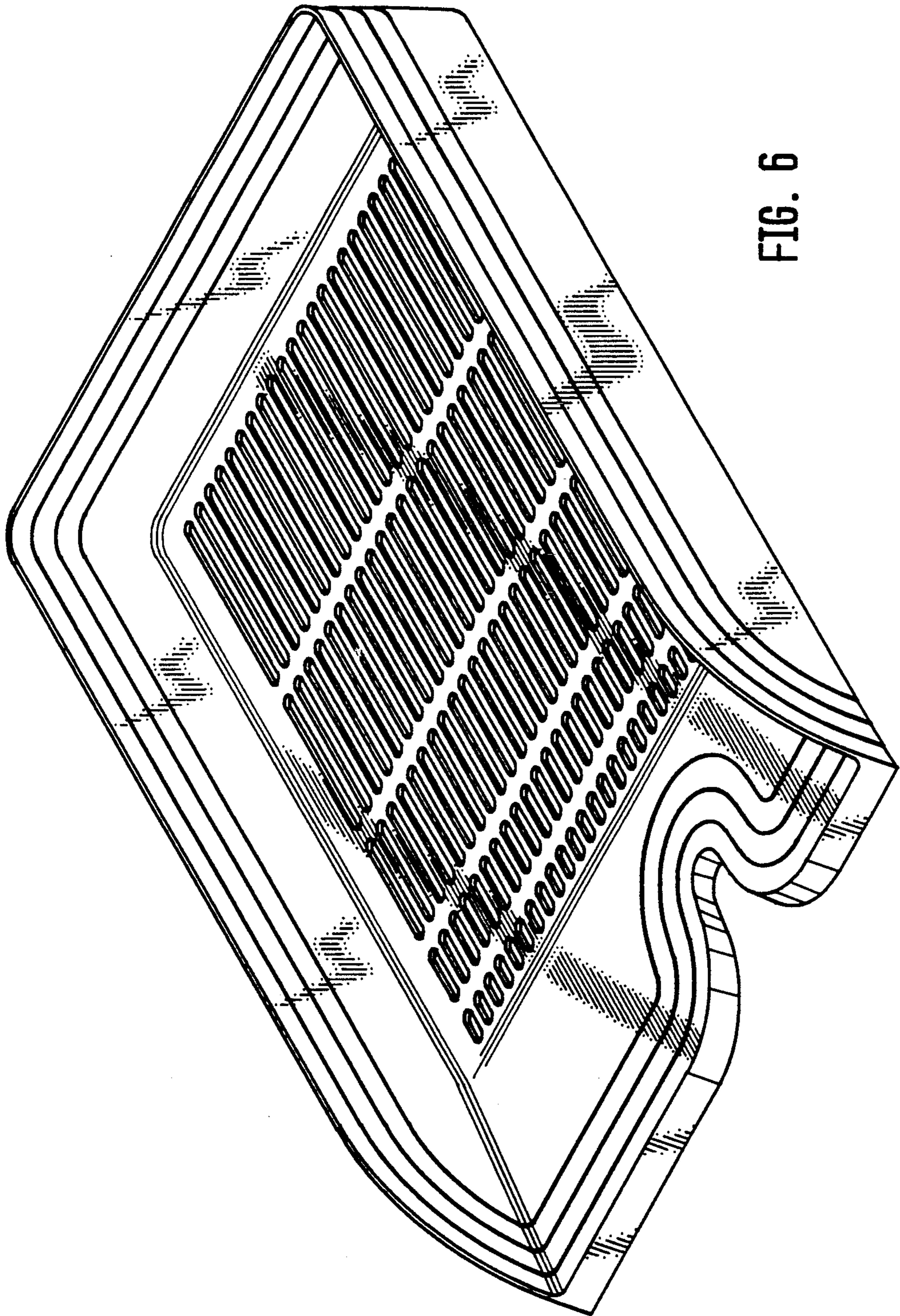


FIG. 6