



US00D334588S

United States Patent [19]

Okola

[11] Patent Number: **Des. 334,588**

[45] Date of Patent: **** Apr. 6, 1993**

[54] **MULTIPLE FILE POCKET FOLDER**

[76] Inventor: **Frank Okola, 15 Hudson St., Staten Island, N.Y. 10304**

[**] Term: **14 Years**

[21] Appl. No.: **683,679**

[22] Filed: **Apr. 11, 1991**

[52] U.S. Cl. **D19/27**

[58] Field of Search **D19/3, 26, 27, 32, 75, D19/76, 78, 22, 23, 24, 10, 1, 2; 40/641, 642, 643, 644; 281/45, 46, 47, 48**

[56] **References Cited**

U.S. PATENT DOCUMENTS

D. 234,004	12/1974	Katy	D19/2
D. 239,111	3/1976	Caprile et al.	D19/3
D. 271,985	12/1983	Belser	D19/10
D. 286,463	11/1986	Sfikas	D19/2
D. 312,476	11/1990	Westendorff	D19/26
D. 312,656	12/1990	Huber	D19/3
3,734,155	5/1973	Stenger	281/46

Primary Examiner—Wallace R. Burke
Assistant Examiner—Marcus Jackson
Attorney, Agent, or Firm—Miller, Richard L.

[57] CLAIM

The ornamental design for multiple file pocket folder, as shown and described.

DESCRIPTION

FIG. 1 is a front perspective view of a multiple file pocket folder showing my new design;
FIG. 2 is a front elevational view thereof;
FIG. 3 is a top plan view thereof;
FIG. 4 is a right side elevational view thereof, with the opposite side being a mirror image;
FIG. 5 is a bottom plan view thereof;
FIG. 6 is a rear elevational view thereof;
FIG. 7 is an enlarged front elevational view thereof, with the right portion omitted for clarity of illustration; and,
FIG. 8 is a right side elevational view thereof, taken from FIG. 7.

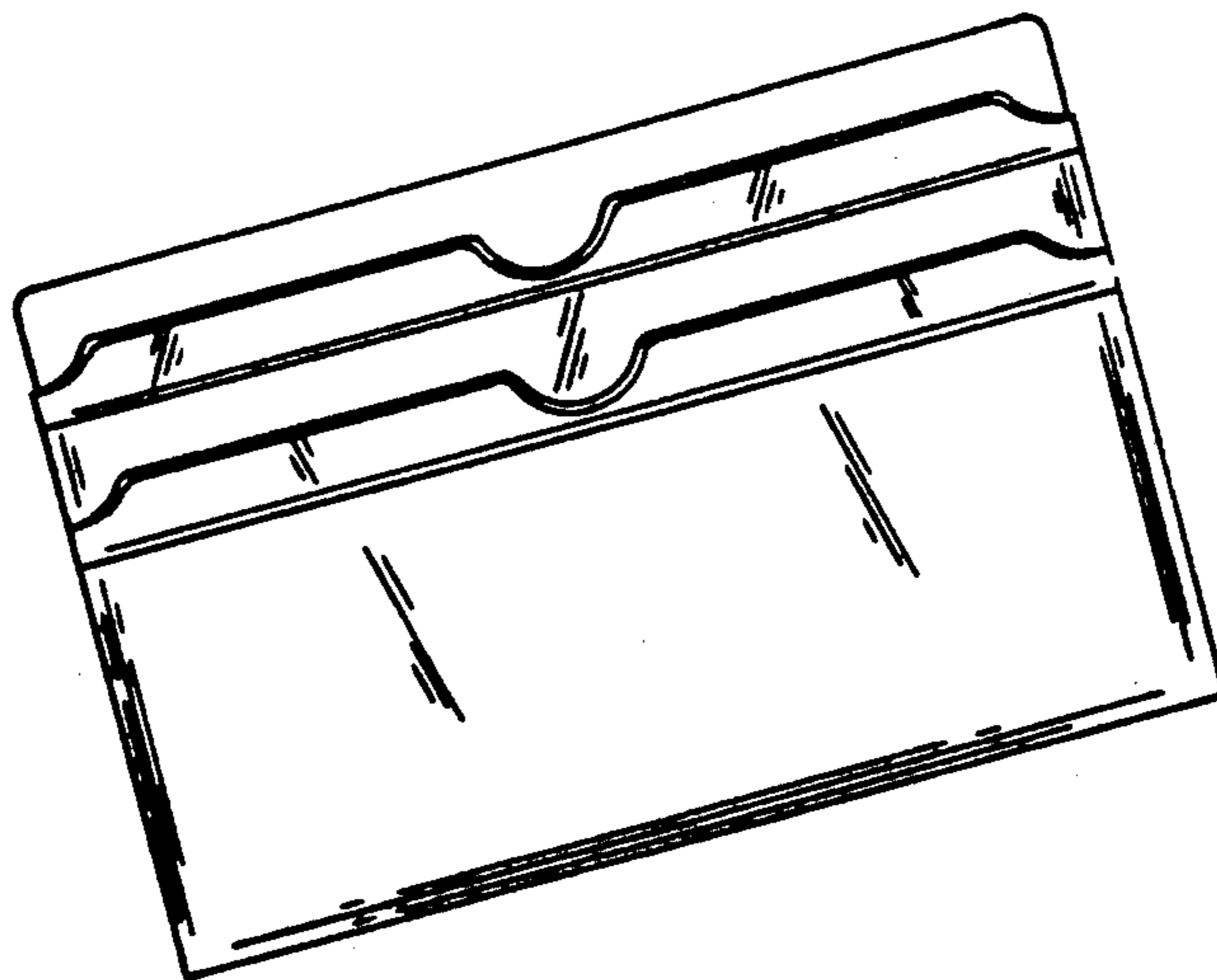


FIG. 1

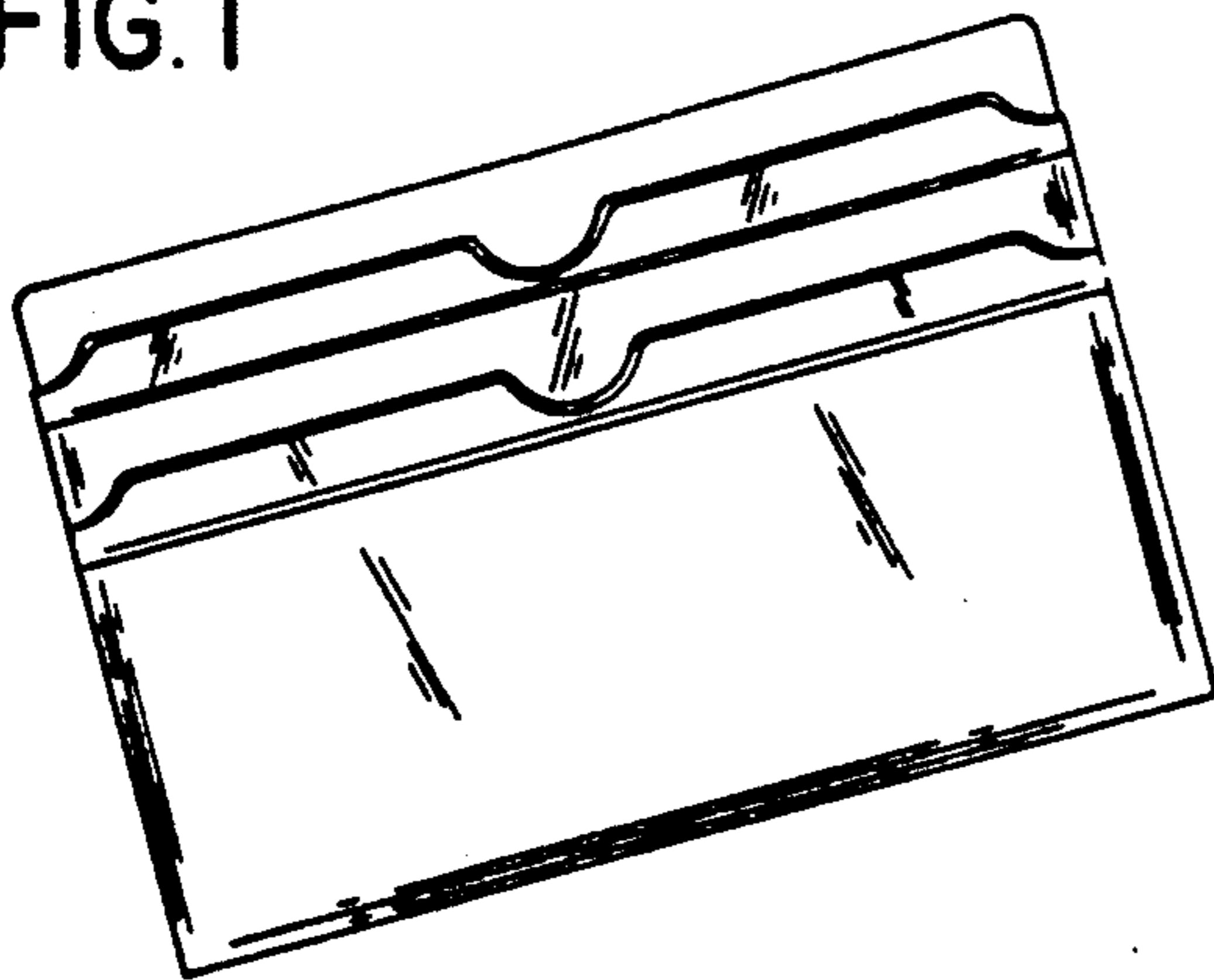


FIG. 3

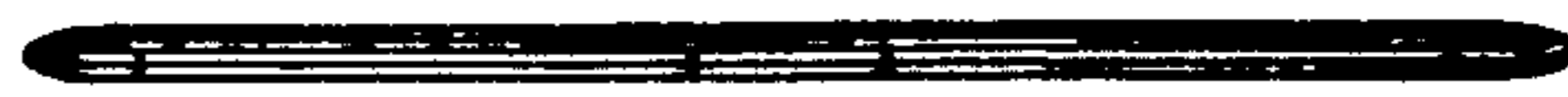


FIG. 2

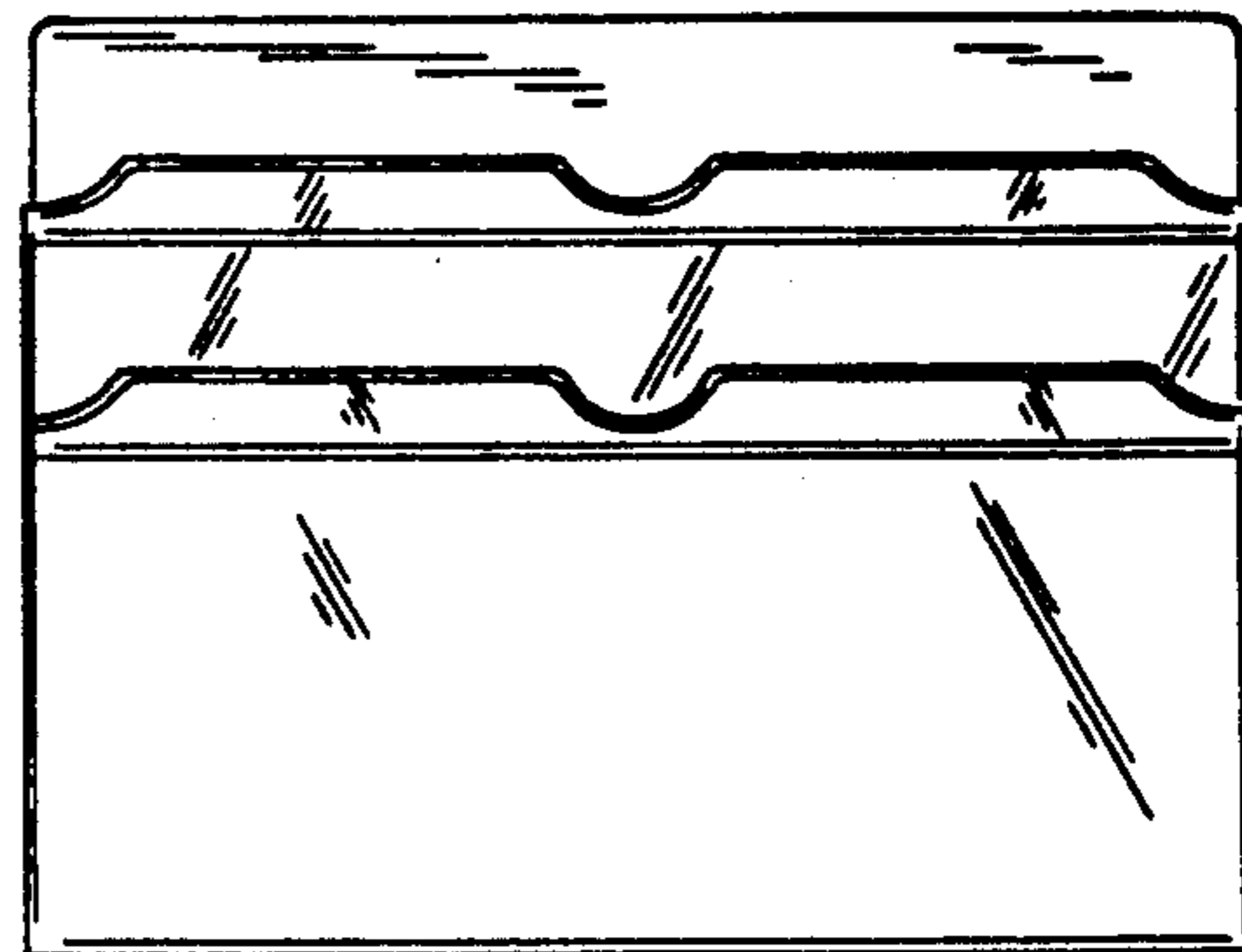


FIG. 6

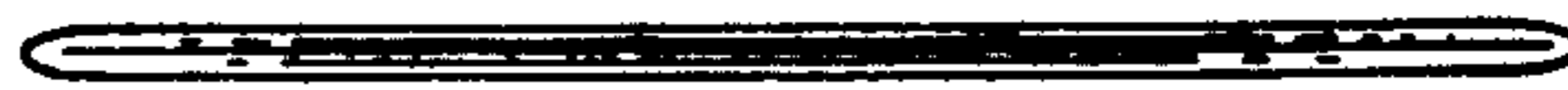
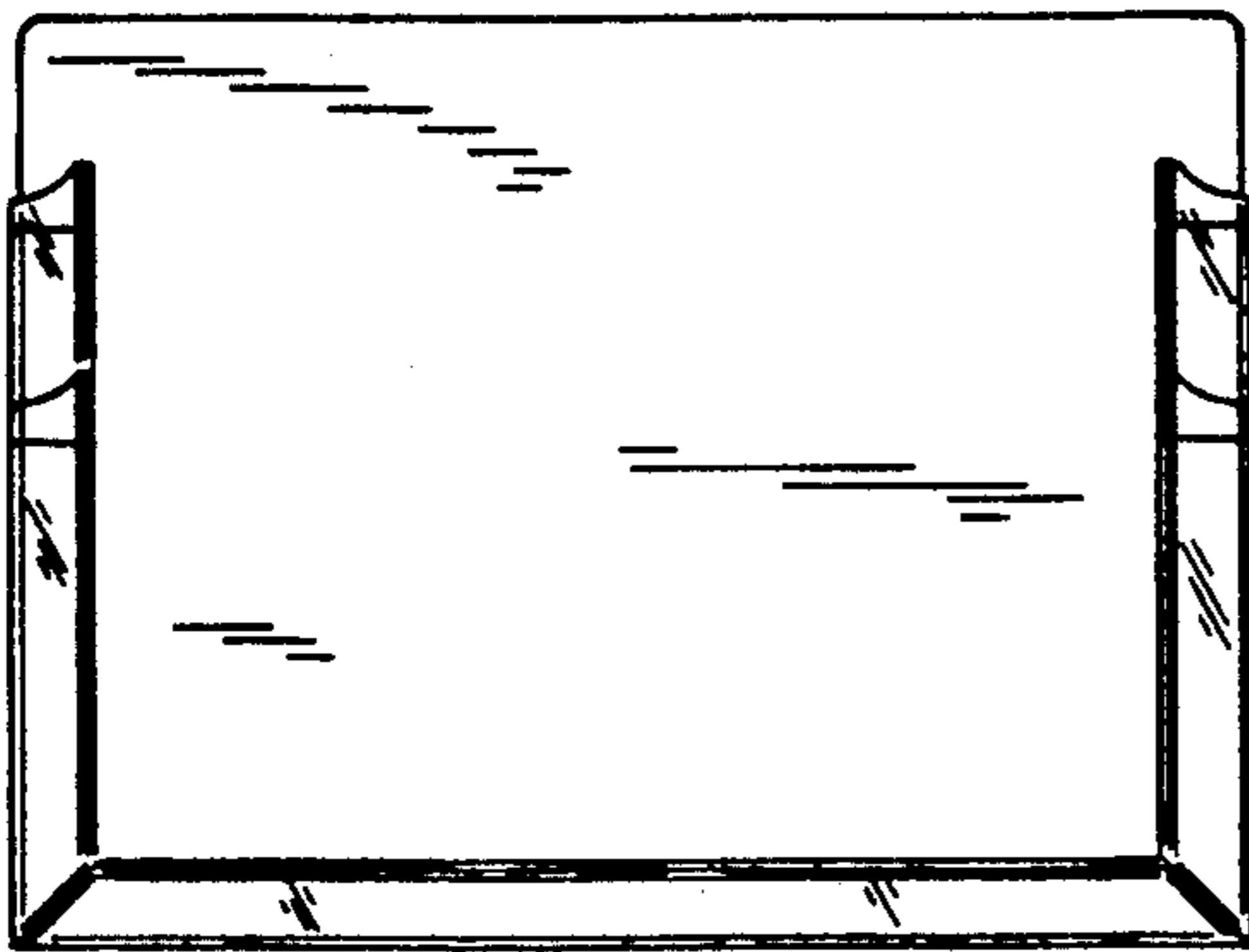


FIG. 5

FIG. 4



FIG. 7

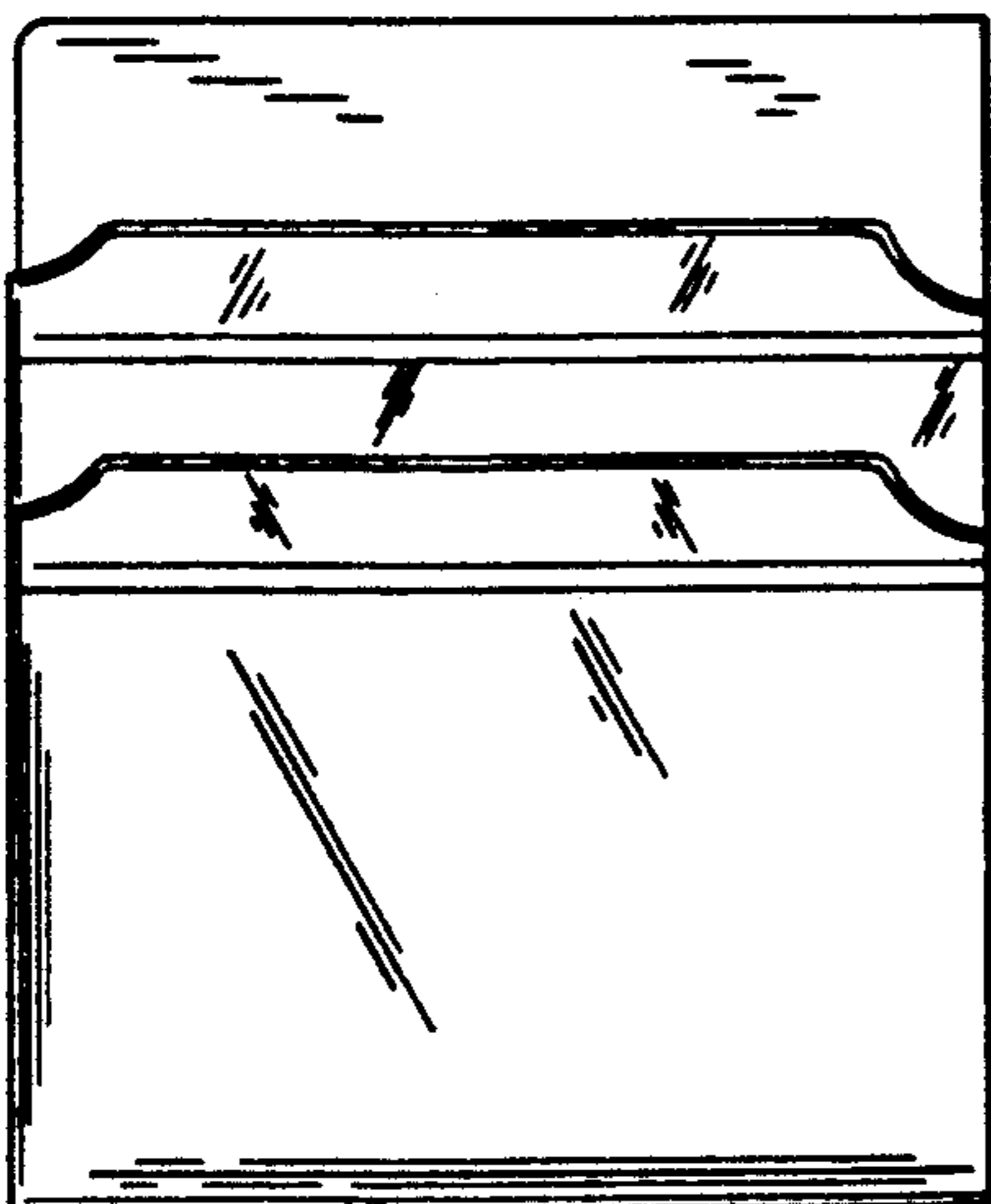


FIG. 8

