



US00D334586S

United States Patent [19]

[11] Patent Number: **Des. 334,586**

Imai et al.

[45] Date of Patent: **** Apr. 6, 1993**

[54] LASER PRINTER

[75] Inventors: **Akira Imai, Kawasaki; Tatsuhiro Terasaki, Souka, both of Japan**

[73] Assignee: **Ricoh Company, Ltd., Tokyo, Japan**

[**] Term: **14 Years**

[21] Appl. No.: **642,367**

[22] Filed: **Jan. 17, 1991**

[30] Foreign Application Priority Data

Jul. 17, 1990 [JP]	Japan	2-024342
[52] U.S. Cl.		D18/54
[58] Field of Search	D18/50, 54-55,	
		D18/36-37; 400/691-694, 613, 613.1-613.4,	
		624	

[56] References Cited

U.S. PATENT DOCUMENTS

D. 266,169	9/1982	Yasutani et al.	D18/36
D. 267,802	2/1983	Yasutani	D18/36
D. 284,083	6/1986	Sutoh et al.	D18/54
D. 285,565	9/1986	Hara et al.	D18/55
D. 286,885	11/1986	Okuyama et al.	D18/36
D. 288,324	2/1987	Moggridge	D18/54
D. 296,906	7/1988	Burrows et al.	D18/55
D. 314,975	2/1991	Katada	D18/36
D. 324,066	2/1992	Kusenber	D18/54

FOREIGN PATENT DOCUMENTS

5717025	10/1985	Japan	D18/50
5913015	12/1986	Japan	D18/55
5920320	12/1986	Japan	D18/55

OTHER PUBLICATIONS

The Office; Jan. 1986; p. 14; advertisement for Xerox 4045 Laser CP-Printer/Copier.
 Pemco, Inc.-Quality Supplies & Equipment Catalog; p. 385-Canon copier.
 Lithoweek; Oct. 7, 1987; p. 43; Varityper advertisement for VT600 Printer.
 Office Products Dealer; Jan. 1982; p. 80; Toshiba America, Inc. Plain Paper copier.

Primary Examiner—A. Hugo Word
Assistant Examiner—CathyAnne MacCormac
Attorney, Agent, or Firm—Oblon, Spivak, McClelland, Maier & Neustadt

[57] CLAIM

The ornamental design for a laser printer, as shown.

DESCRIPTION

FIG. 1 is a top, front and left side perspective view of a laser printer, showing our new design;
 FIG. 2 is a front elevational view thereof;
 FIG. 3 is a top plan view thereof;
 FIG. 4 is a rear elevational view thereof;
 FIG. 5 is a bottom plan view thereof;
 FIG. 6 is a right side elevational view thereof; and,
 FIG. 7 is a left side elevational view thereof.

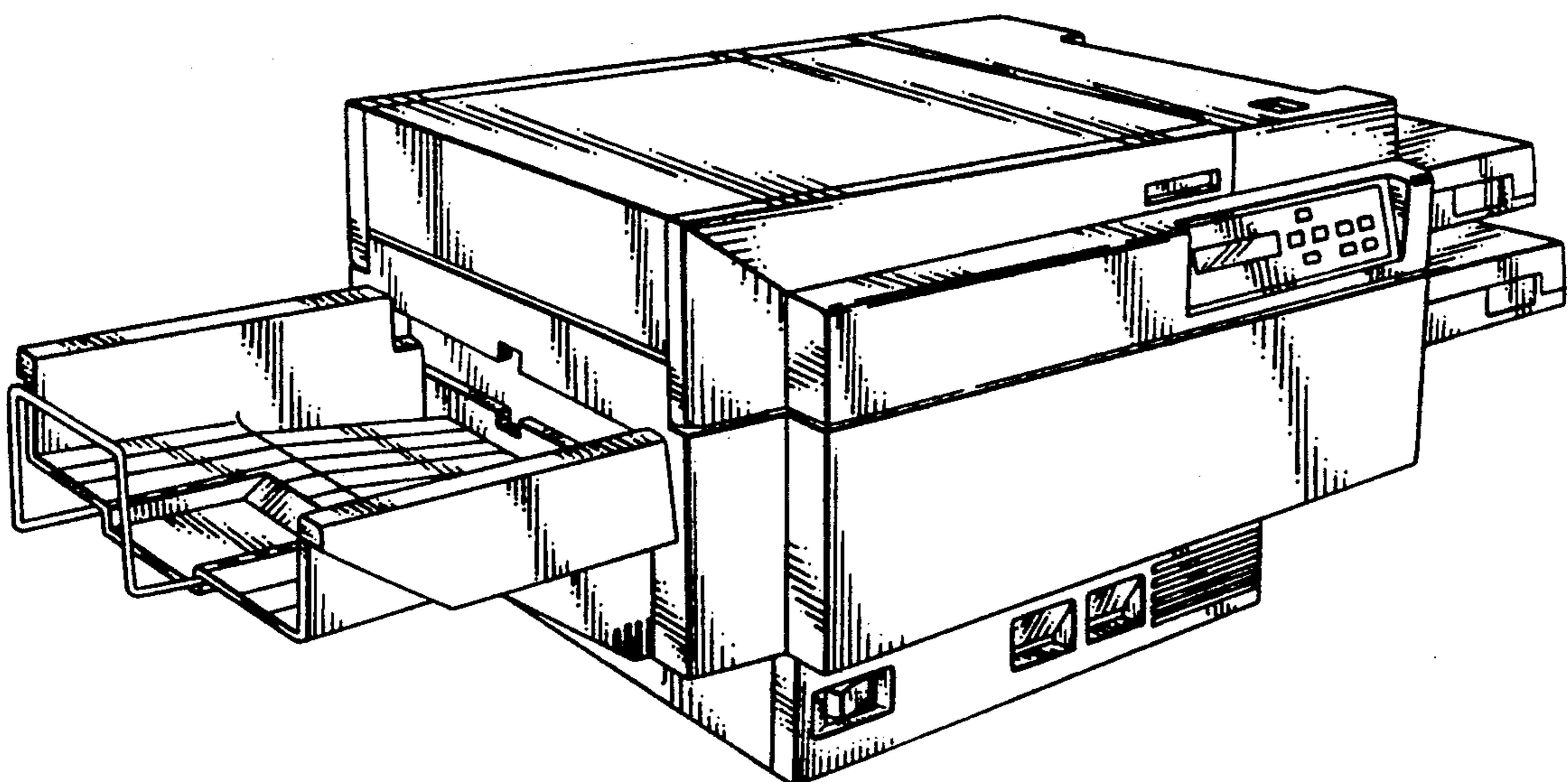


FIG. 1

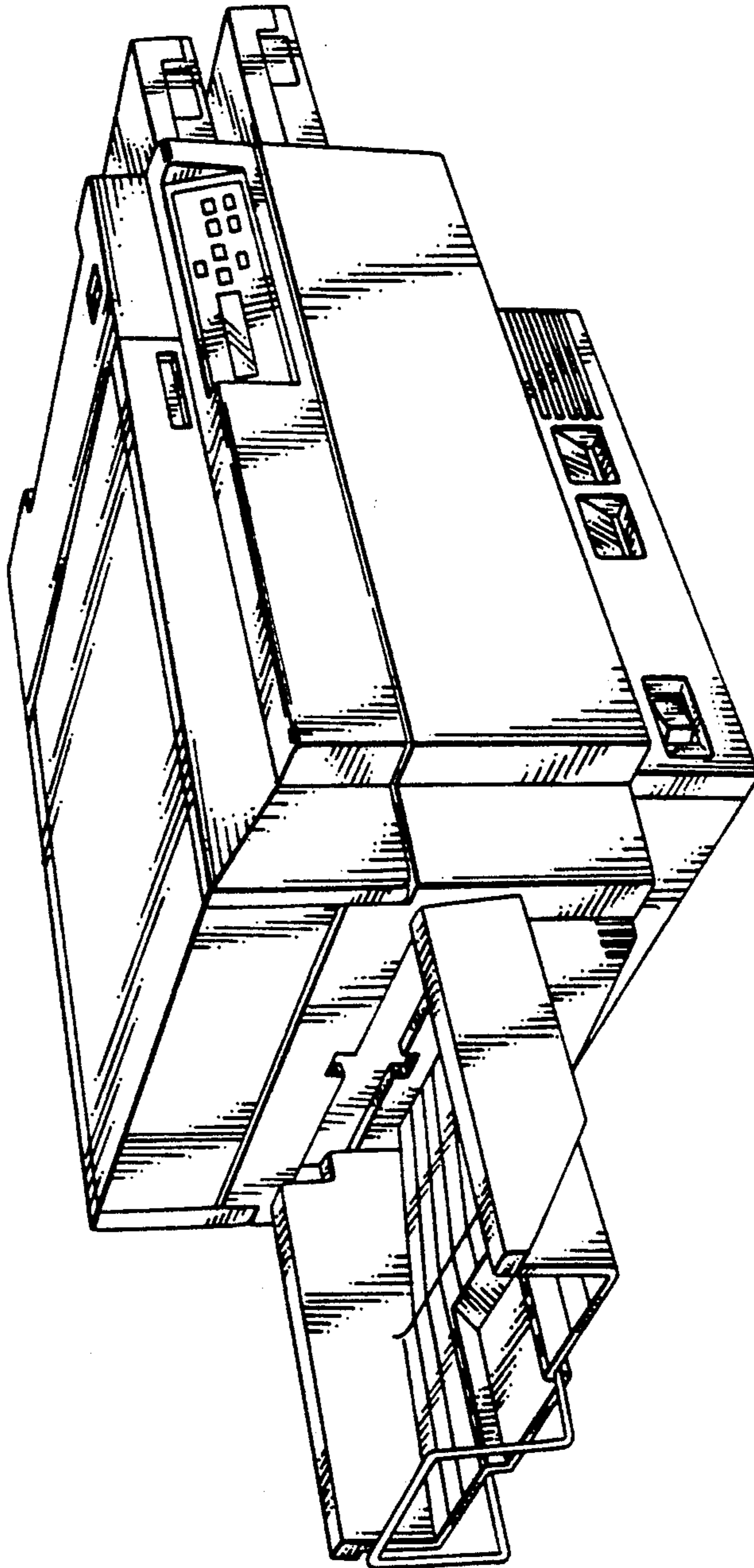


FIG. 2

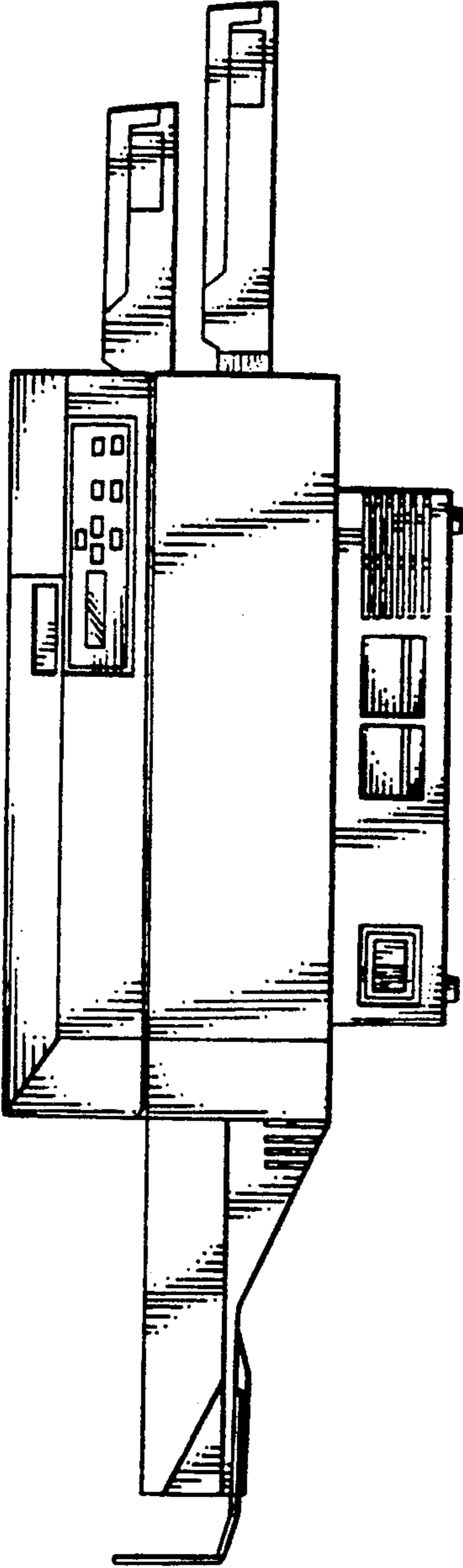


FIG. 3

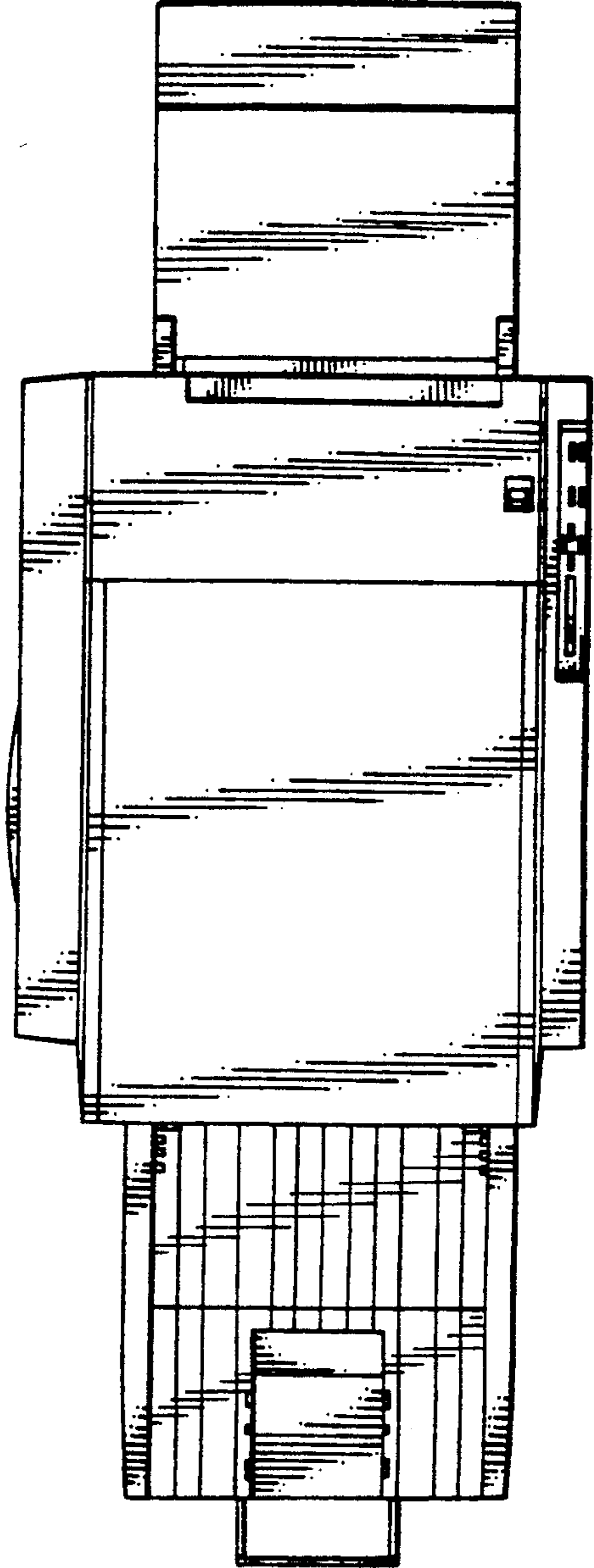


FIG. 4

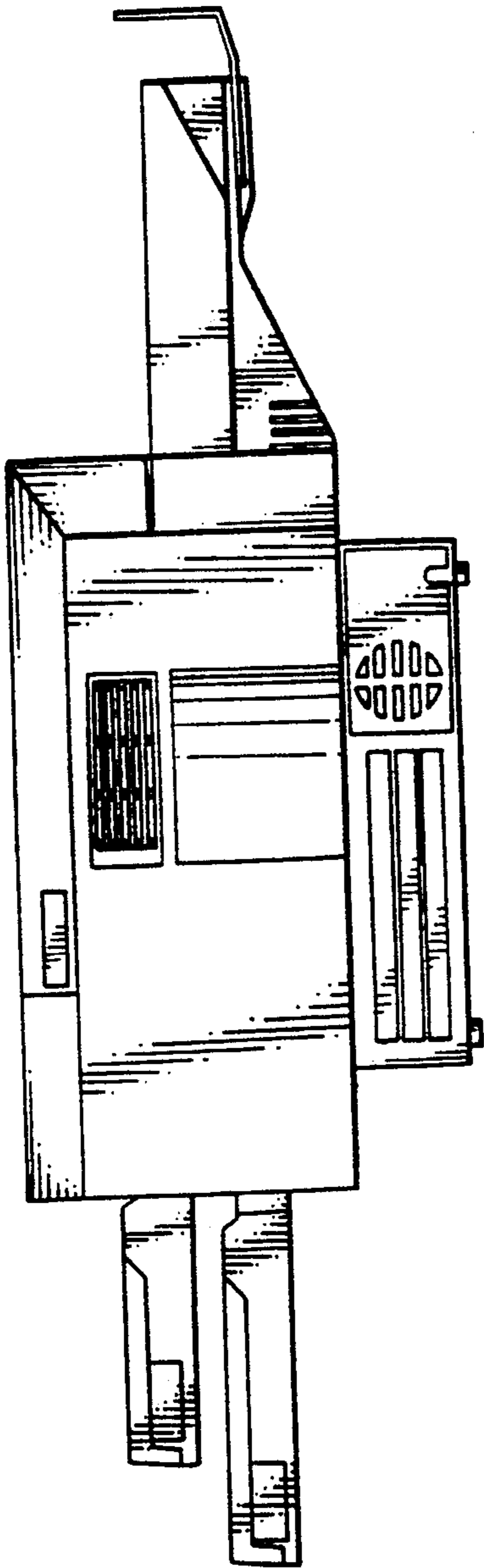


FIG. 5

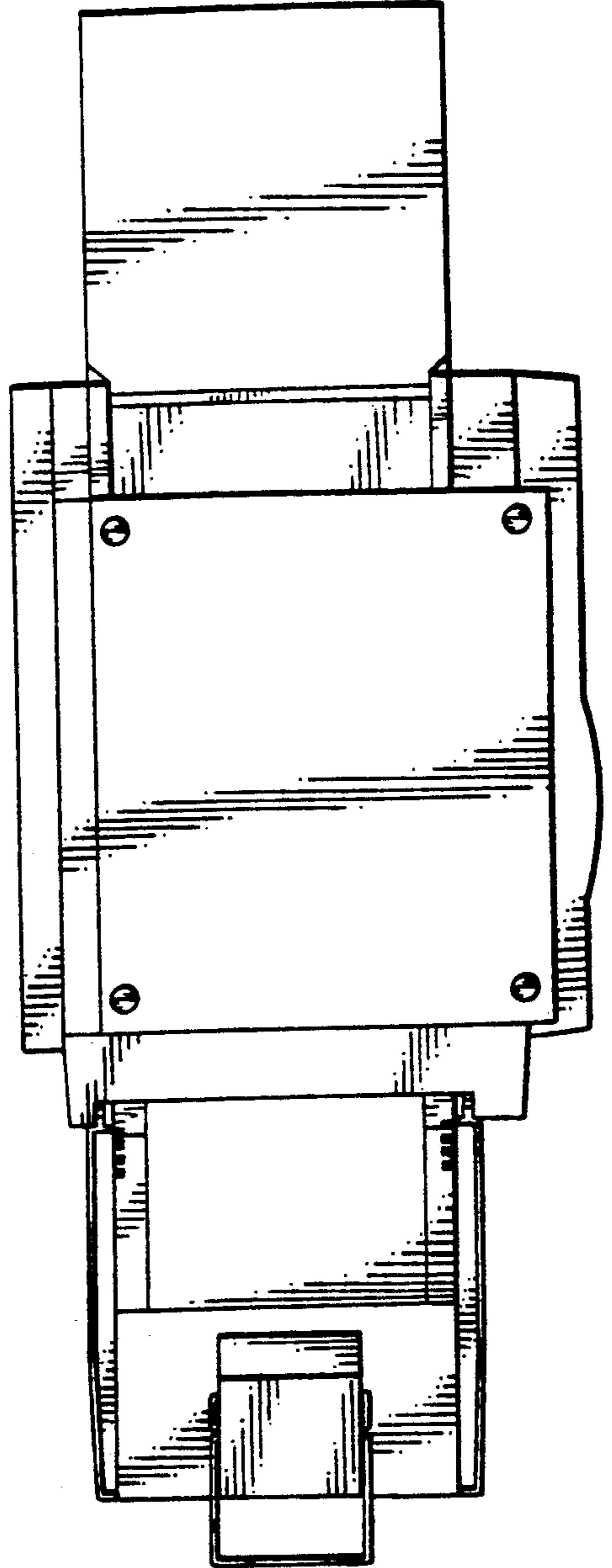


FIG. 7

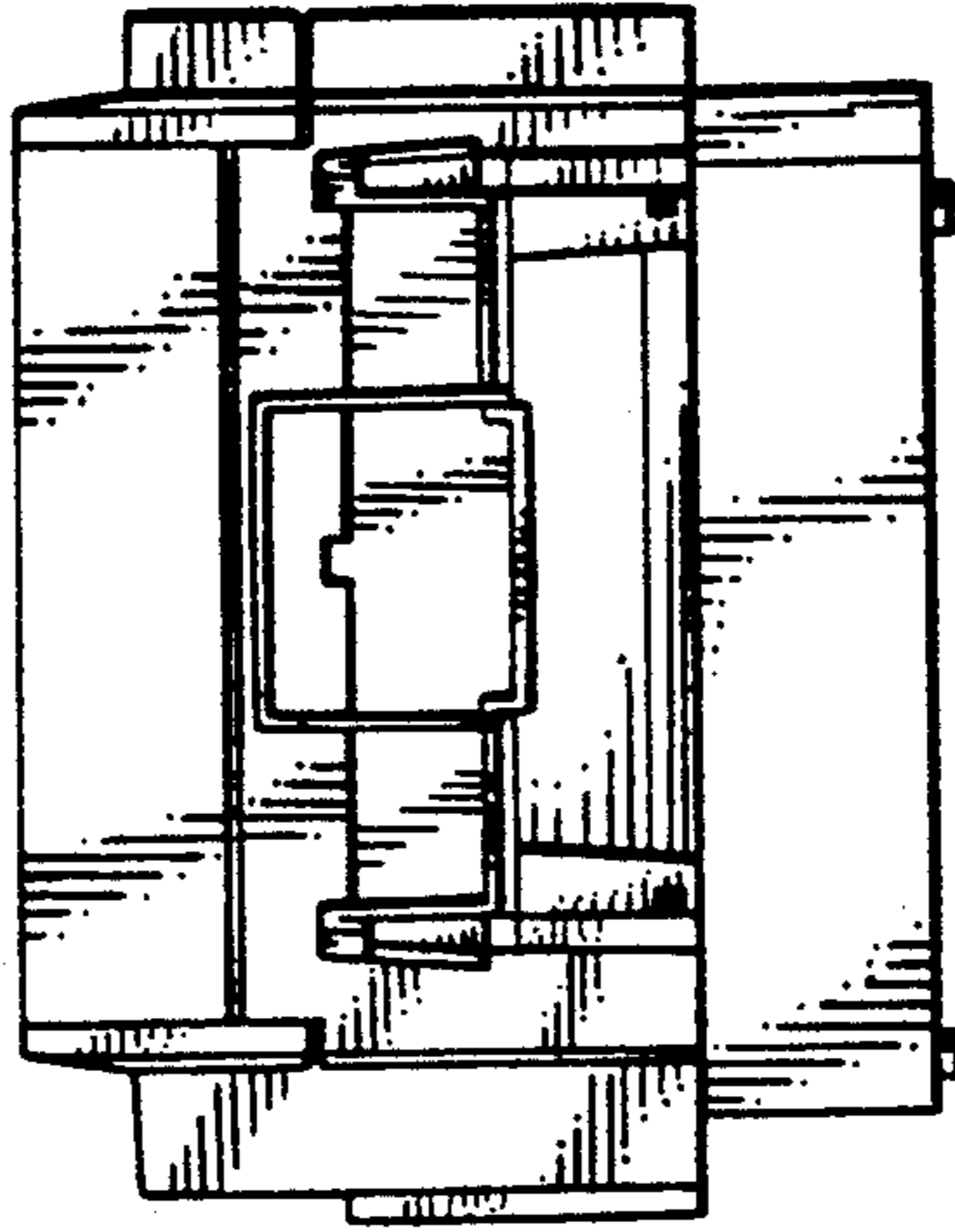


FIG. 6

