



US00D334585S

United States Patent [19]

Okauchi

[11] Patent Number: **Des. 334,585**

[45] Date of Patent: **** Apr. 6, 1993**

[54] INKFILM CARTRIDGE

[75] Inventor: **Yoshifumi Okauchi**, Osaka, Japan

[73] Assignee: **Mita Industrial Co., Ltd.**, Osaka, Japan

[**] Term: **14 Years**

[21] Appl. No.: **479,030**

[22] Filed: **Feb. 12, 1990**

[30] Foreign Application Priority Data

Aug. 18, 1989 [JP] Japan 1-30303
Dec. 8, 1989 [JP] Japan 1-44674

[52] U.S. Cl. **D18/40; D18/44**

[58] Field of Search **D18/12, 18, 56, 99, D18/40, 43, 44; D14/114, 121; 400/194, 195, 196, 196.1, 207, 208**

[56] References Cited

U.S. PATENT DOCUMENTS

D. 309,323 7/1990 Craft et al. D18/40
D. 310,682 9/1990 Tsumuro D18/40
D. 314,005 1/1991 Okunomiya et al. D18/12
D. 314,212 1/1991 Komada et al. D18/40
D. 318,065 7/1991 Kamoda D18/12
4,904,100 2/1990 Enix D18/12

FOREIGN PATENT DOCUMENTS

0164872 7/1986 Japan 400/208

Primary Examiner—Alan P. Douglas

Assistant Examiner—Ann Hunt

Attorney, Agent, or Firm—Jordan and Hamburg

[57] CLAIM

The ornamental design for an inkfilm cartridge, as shown and described.

DESCRIPTION

FIG. 1 is a right front perspective view of an inkfilm cartridge showing my new design; FIG. 2 is a front elevational view; FIG. 3 is a rear elevational view; FIG. 4 is a top plan view; FIG. 5 is a bottom plan view; FIG. 6 is a right side elevational view; and FIG. 7 is a left side elevational view thereof; FIG. 8 is a right front perspective view of a second embodiment showing my new design; FIG. 9 is a front elevational view; FIG. 10 is a rear elevational view; FIG. 11 is a top plan view; FIG. 12 is a bottom plan view; FIG. 13 is a right side elevational view; and, FIG. 14 is a left side elevational view thereof.

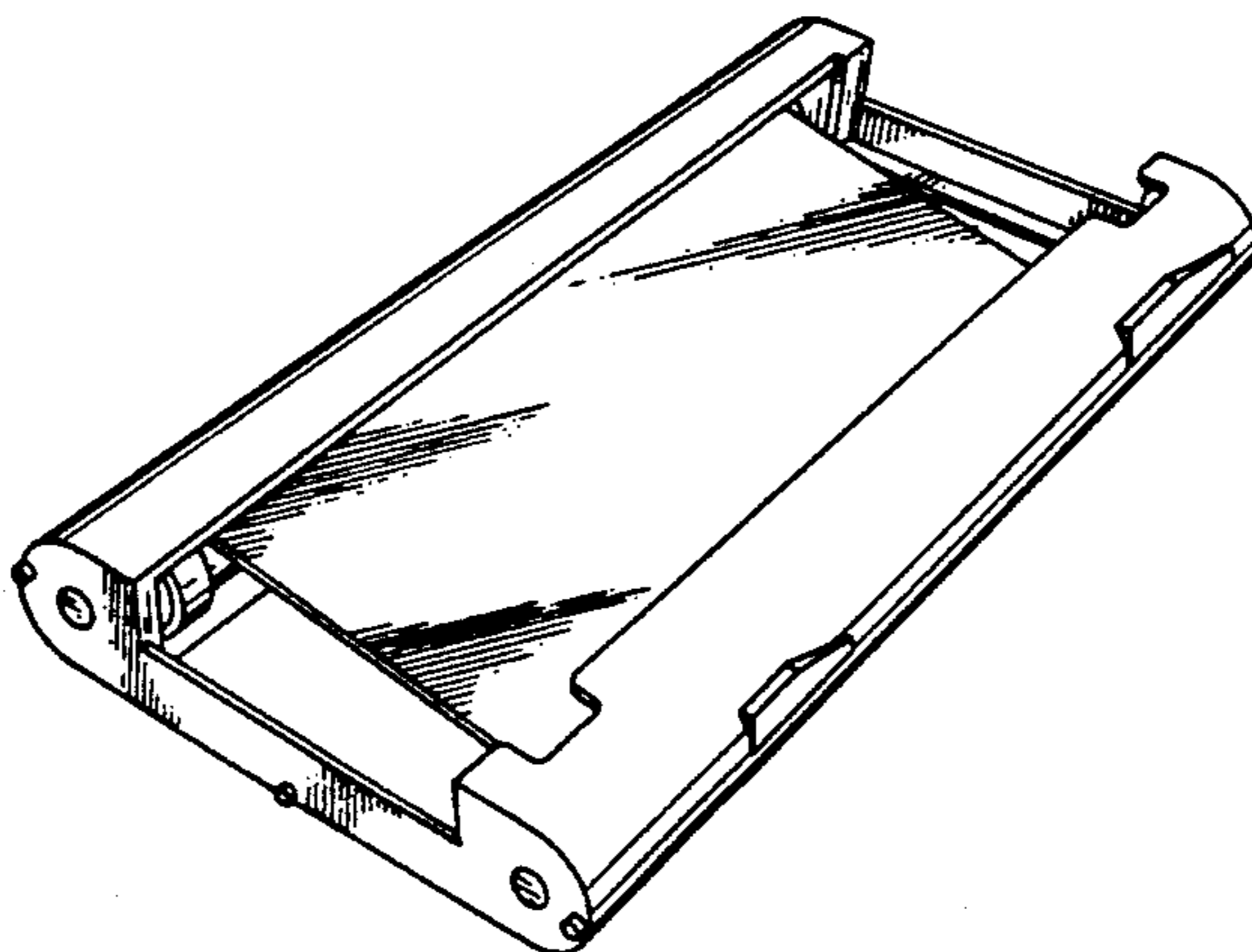
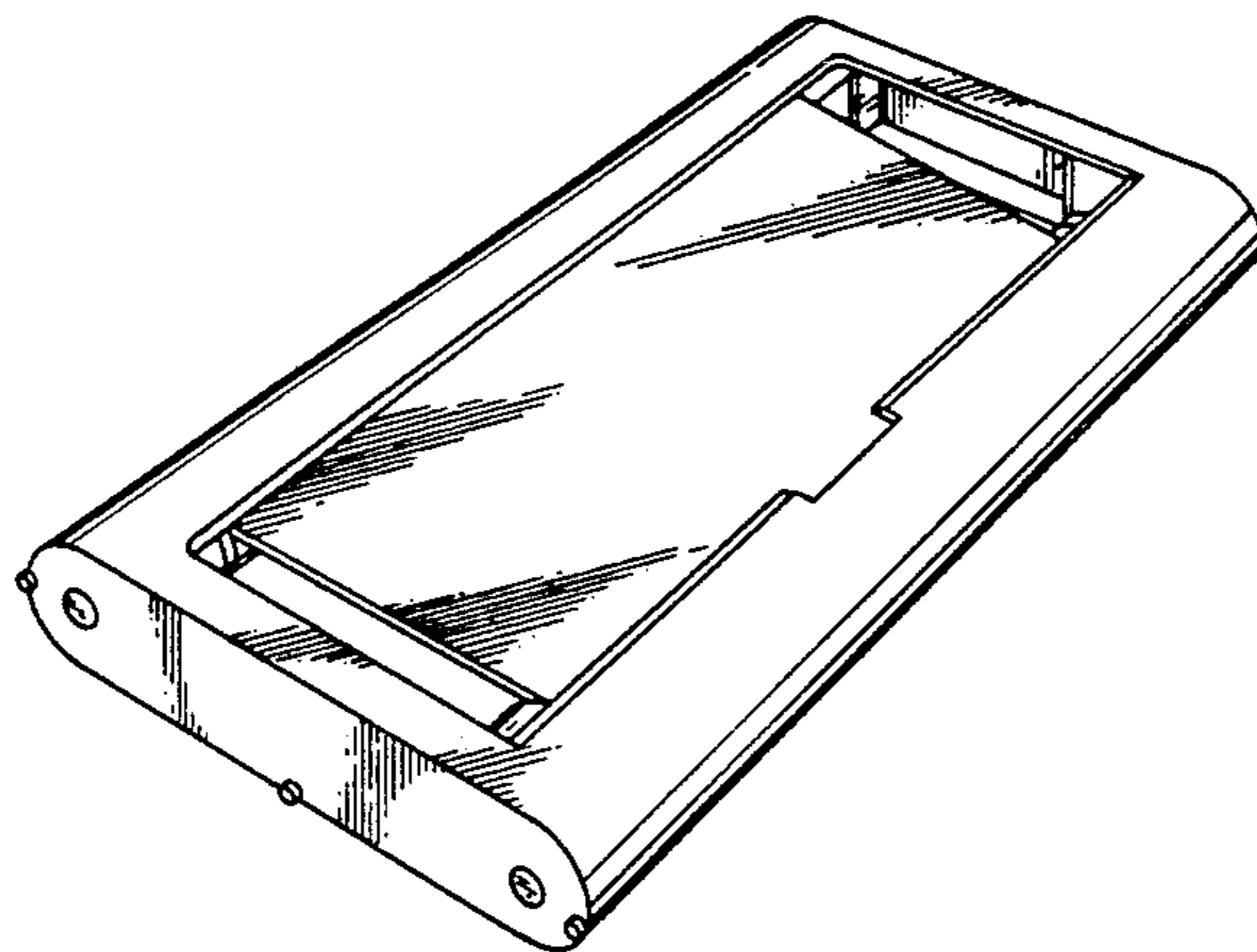


FIG. 1

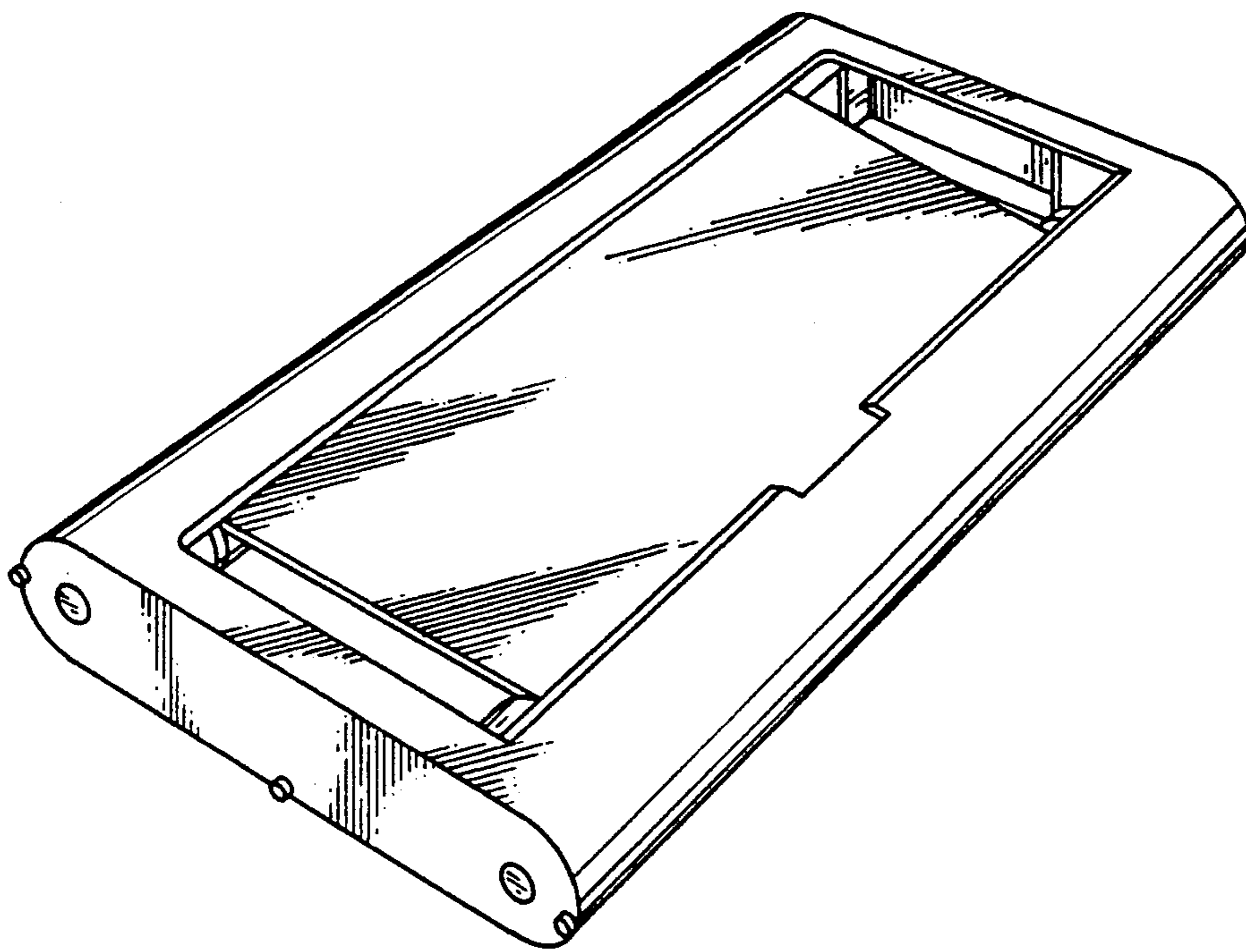


FIG. 2

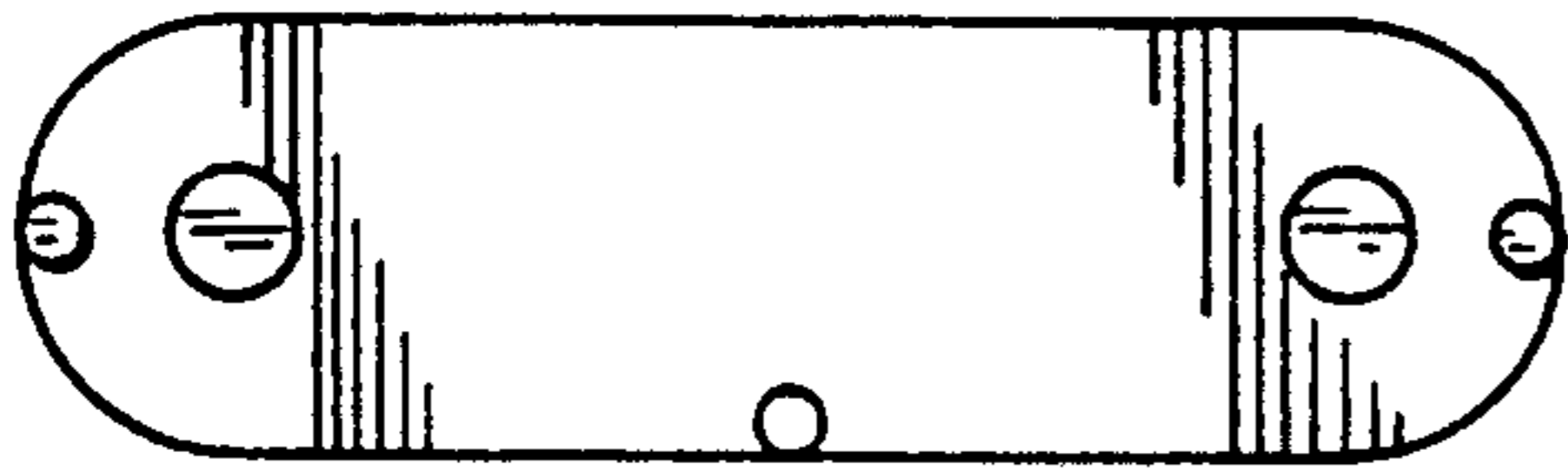


FIG. 3



FIG. 4

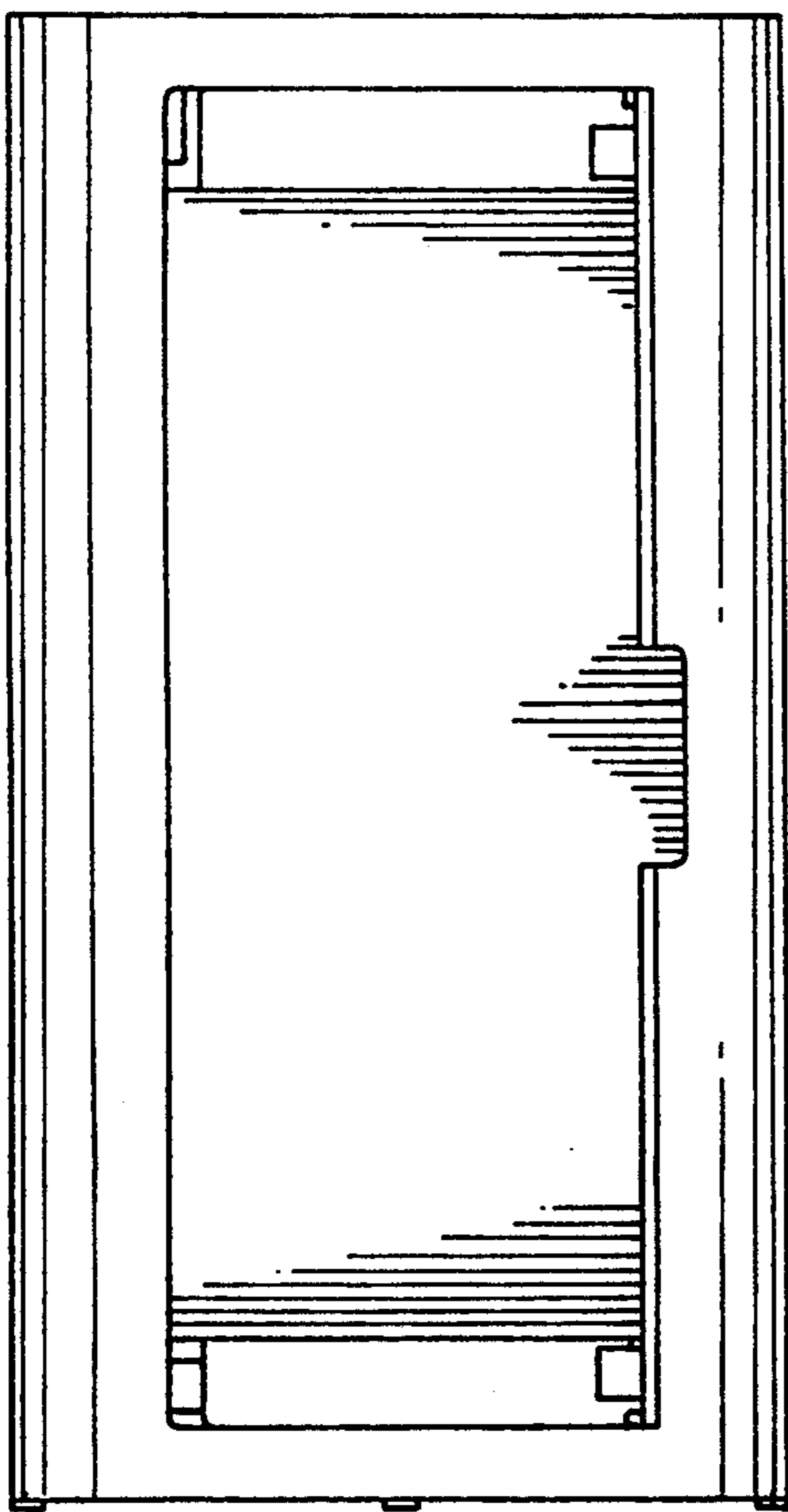


FIG. 5

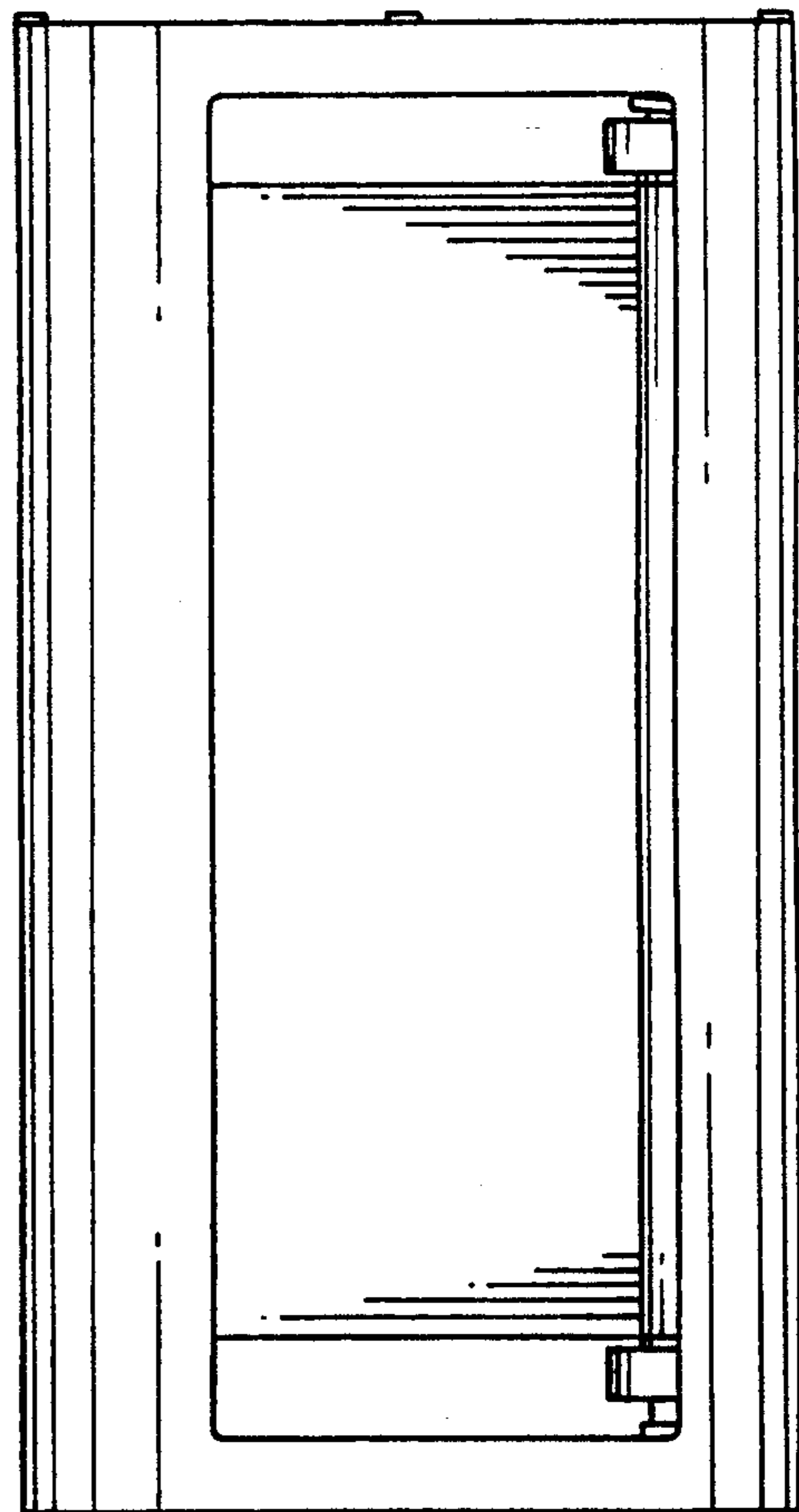


FIG. 6

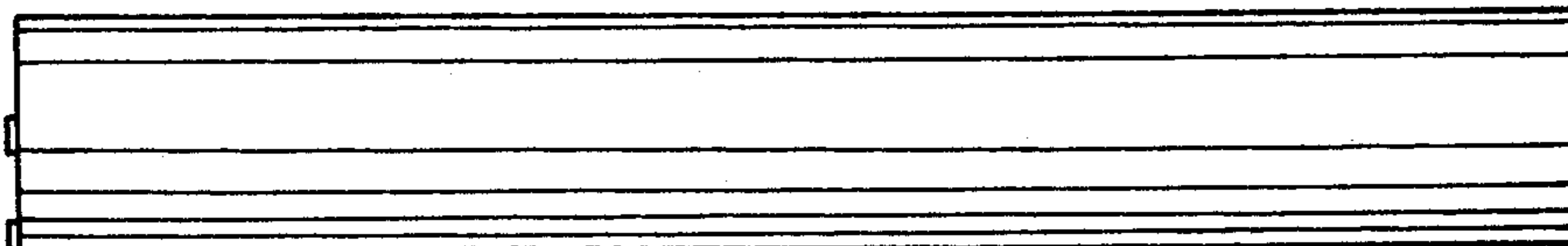


FIG. 7

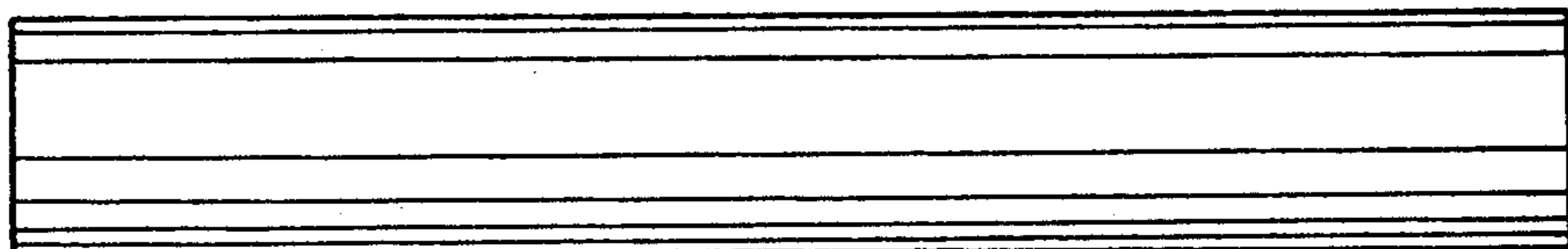


FIG. 8

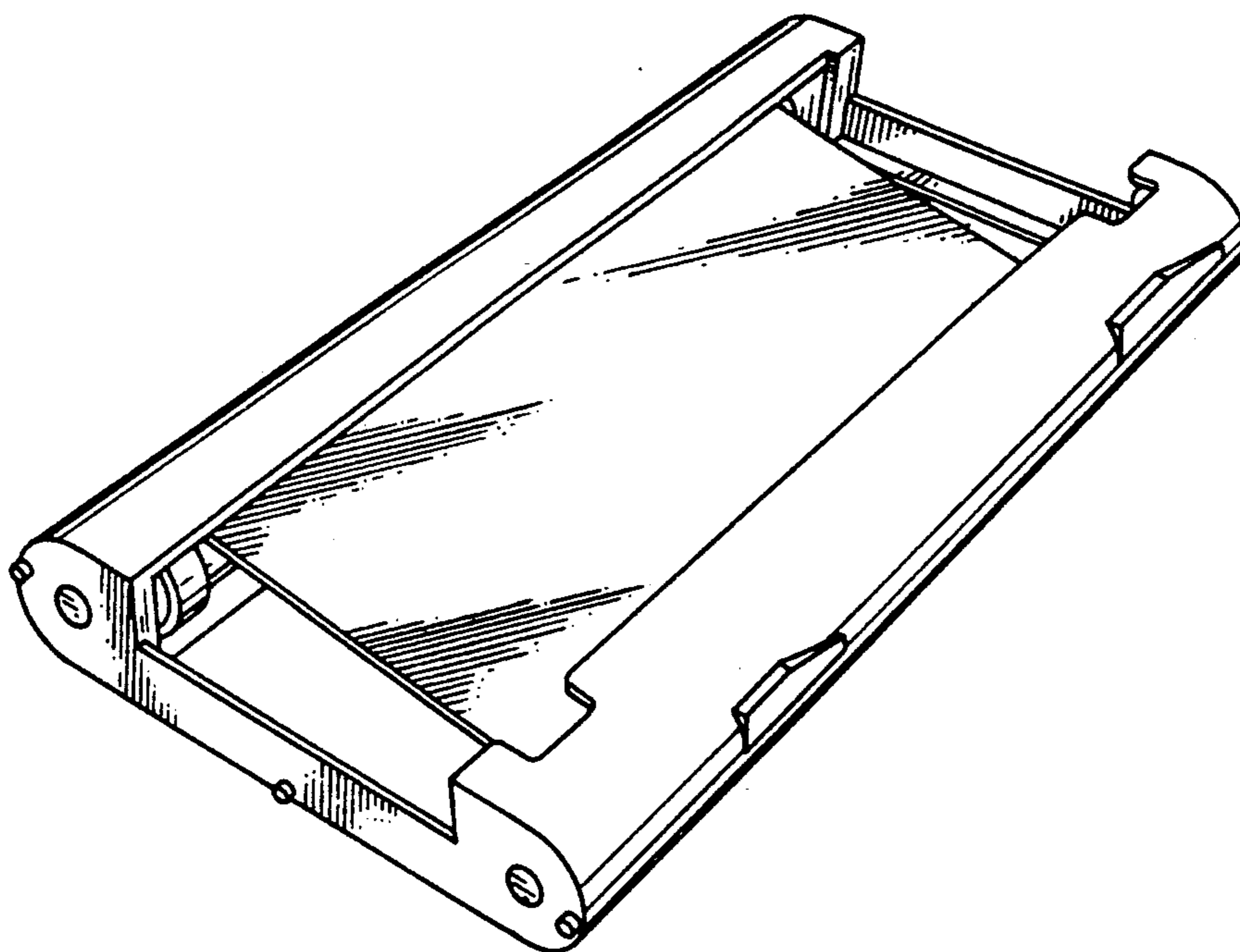


FIG. 9

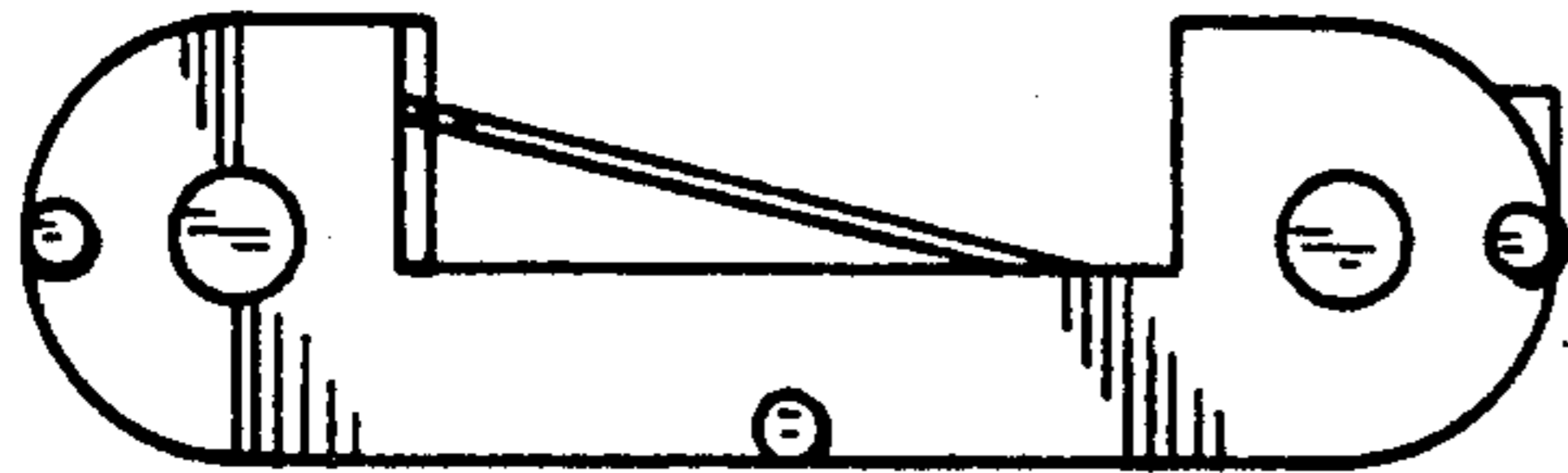


FIG. 10

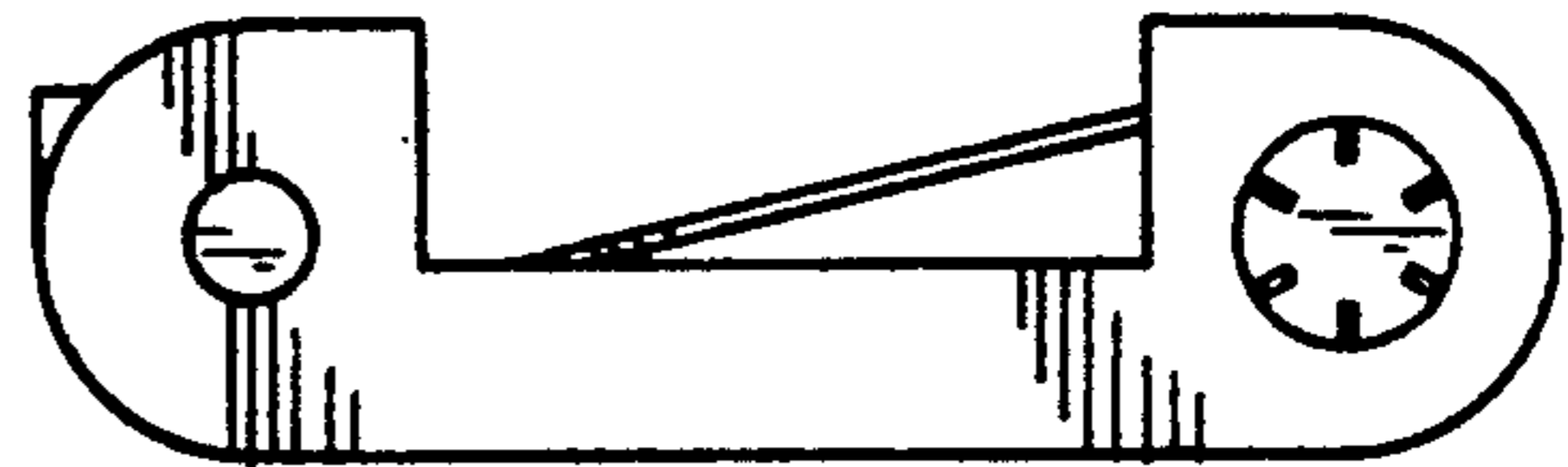


FIG. 11

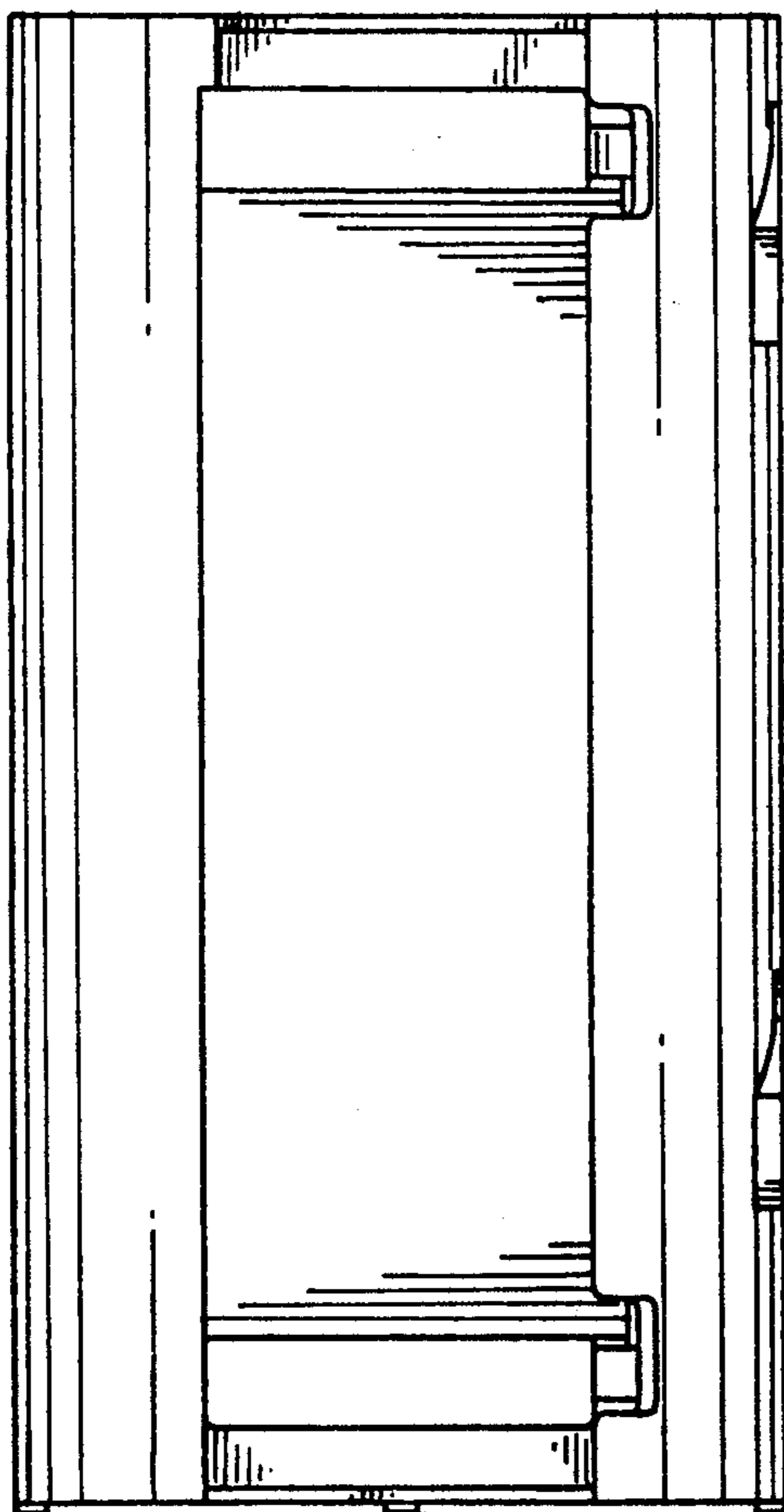


FIG. 12

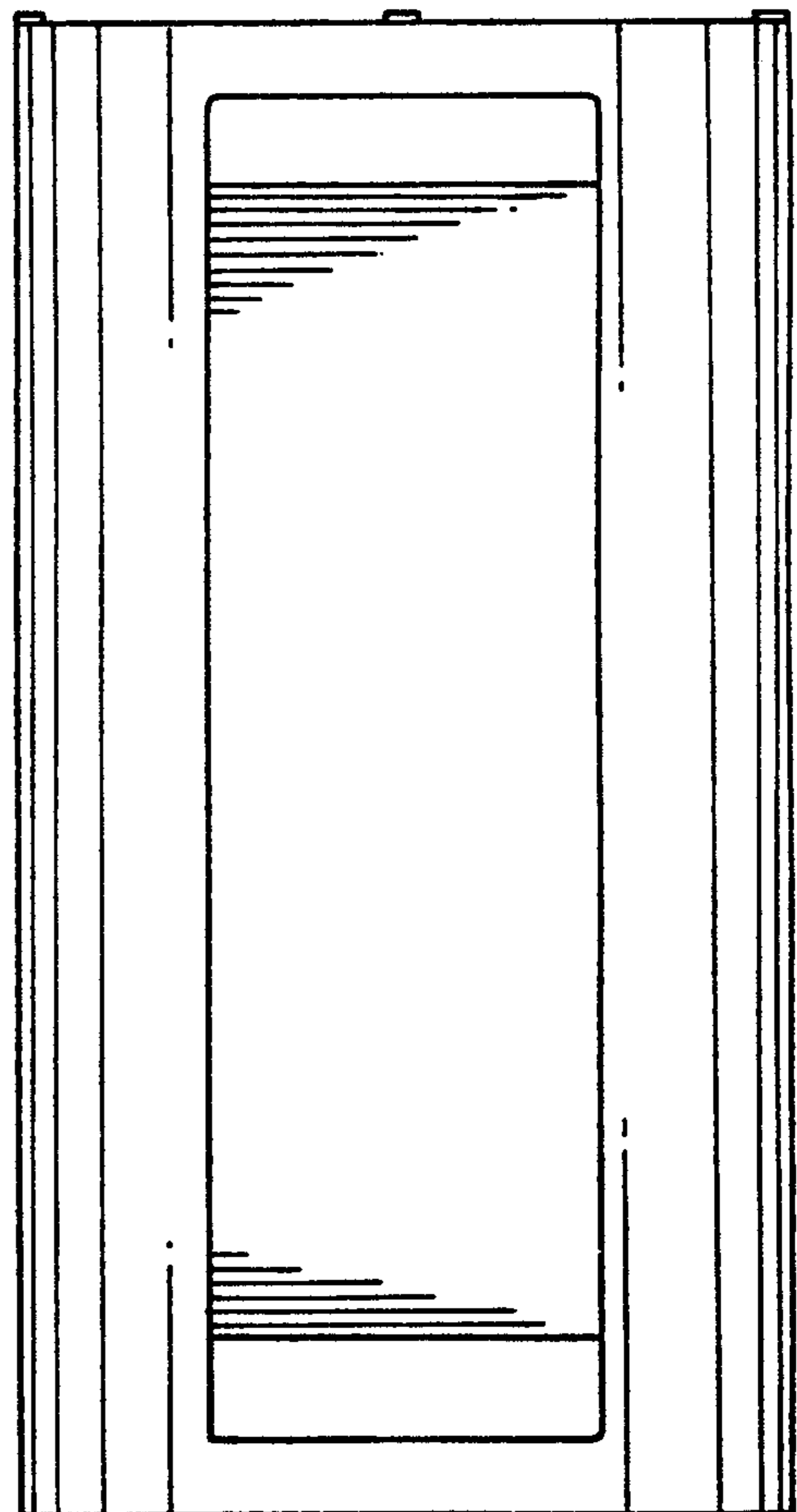


FIG. 13

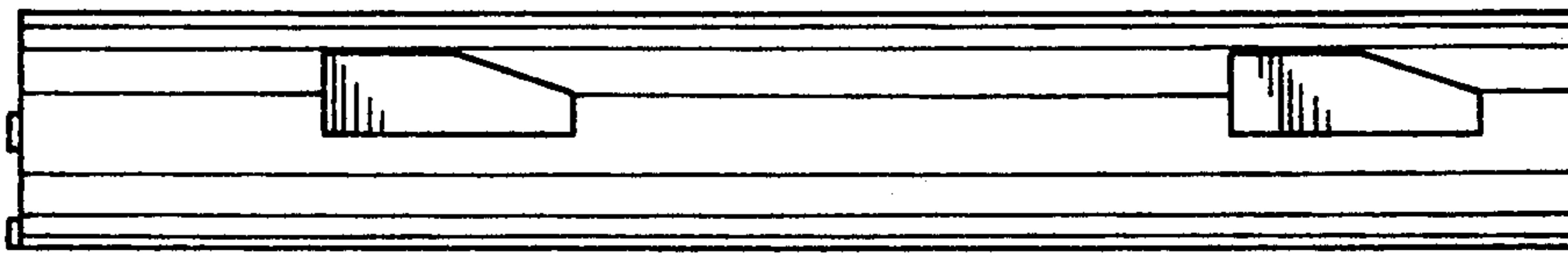


FIG. 14

