



US00D334581S

# United States Patent [19]

Yoshikawa et al.

[11] Patent Number: **Des. 334,581**

[45] Date of Patent: **\*\* Apr. 6, 1993**

[54] **INDUSTRIAL ROBOT**

[75] Inventors: **Akira Yoshikawa, Kawagoe; Masato Shibayama; Shigeki Masatsugu**, both of Sayama; **Tatenori Jinriki**, Chiba, all of Japan

[73] Assignee: **Hitachi, Ltd.**, Tokyo, Japan

[\*\*] Term: **14 Years**

[21] Appl. No.: **659,154**

[22] Filed: **Feb. 22, 1991**

[30] **Foreign Application Priority Data**

Feb. 4, 1991 [JP] Japan ..... 3-2439

[52] U.S. Cl. .... **D15/199**

[58] Field of Search ..... **D34/28; 248/49; 414/680, 744.3, 719; 318/567, 568.1; 395/83, 82; 310/114; 74/479, 89.15; D15/199**

[56] **References Cited**

### U.S. PATENT DOCUMENTS

- D. 267,883 2/1983 Susnjara ..... D15/199
- D. 268,587 4/1983 Kono et al. .... D15/199 X
- D. 269,681 7/1983 Morser et al. .... D15/199
- D. 271,770 12/1983 Kono et al. .... D15/199 X
- D. 279,572 7/1985 Yasuoka et al. .... D15/199
- D. 287,368 12/1986 Shibayama et al. .... D15/199

- D. 292,000 9/1987 Shibayama ..... D15/199
- D. 296,790 7/1988 Tsuburaya et al. .... D15/199
- D. 300,935 5/1989 Maddock et al. .... D15/199
- 4,466,307 8/1984 Kouno ..... 74/479
- 4,489,624 12/1984 Schaib et al. .... 74/479
- 4,674,947 6/1987 Hamada et al. .... 414/744.3 X
- 4,682,932 7/1987 Yoshino ..... 414/744.3
- 4,830,565 5/1989 Bucher et al. .... 414/744.3 X
- 4,986,724 1/1991 Steinmetz ..... 414/917 X
- 5,065,062 11/1991 Uehara et al. .... 310/114

*Primary Examiner*—Wallace R. Burke  
*Assistant Examiner*—H. Baynham  
*Attorney, Agent, or Firm*—Antonelli, Terry, Stout & Kraus

### [57] CLAIM

The ornamental design for an industrial robot, as shown.

### DESCRIPTION

FIG. 1 is a front, top and left side elevational perspective view of an industrial robot showing our new design; FIG. 2 is a front elevational view thereof; FIG. 3 is a rear elevational view thereof; FIG. 4 is a right side elevational view thereof; FIG. 5 is a left side elevational view thereof; FIG. 6 is a top plan elevational view thereof; and, FIG. 7 is a bottom plan view thereof.

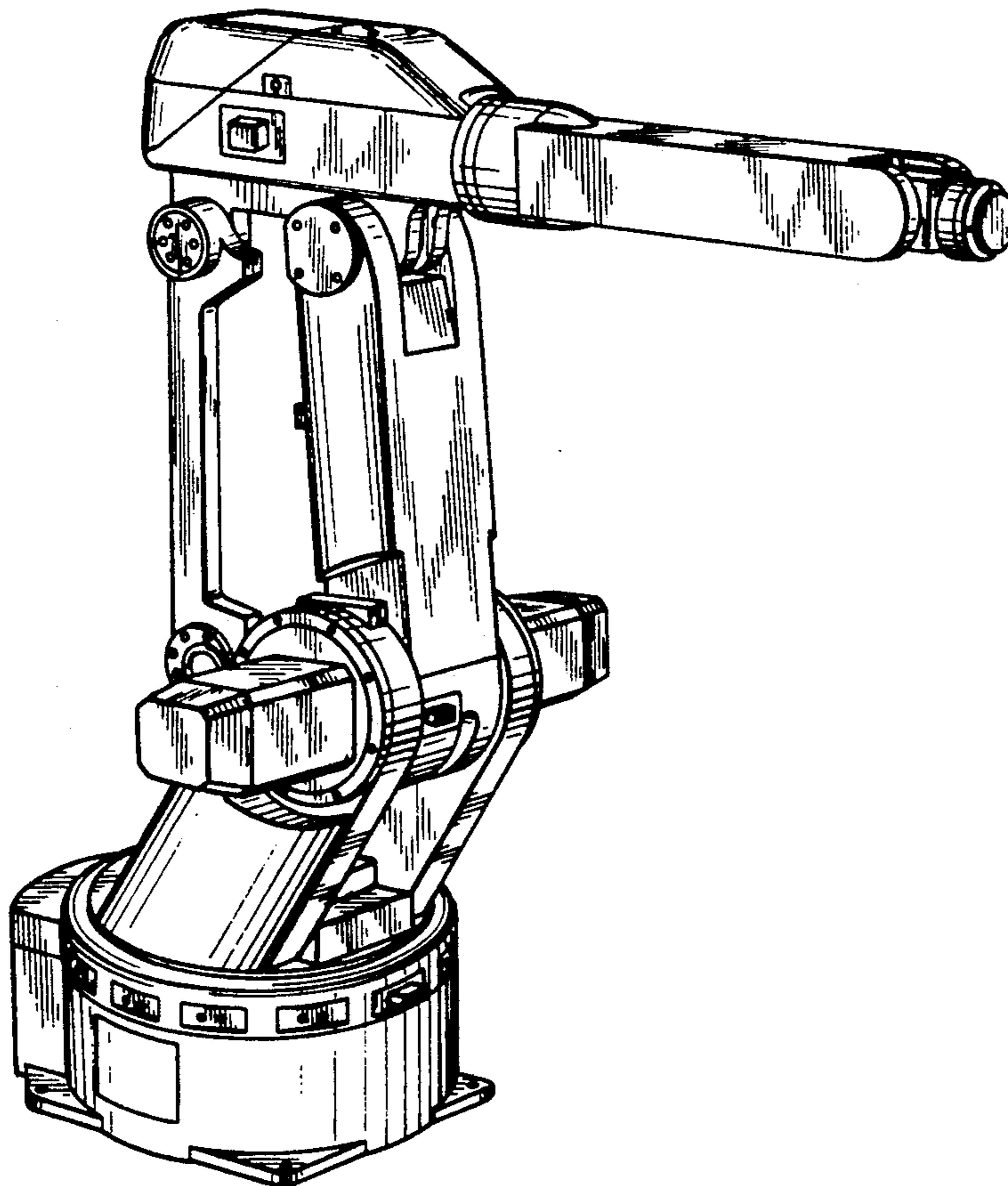


FIG. 1

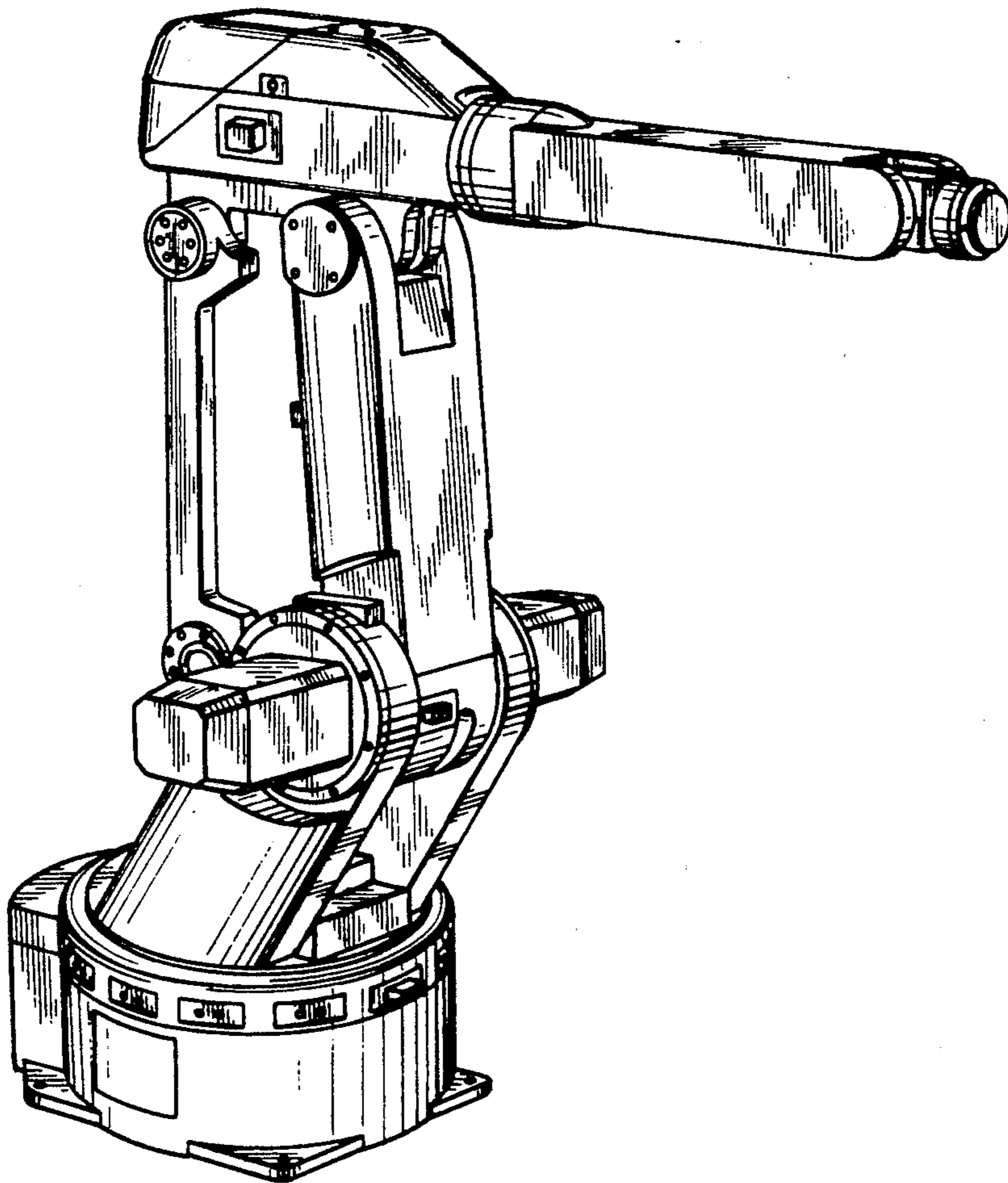


FIG. 2

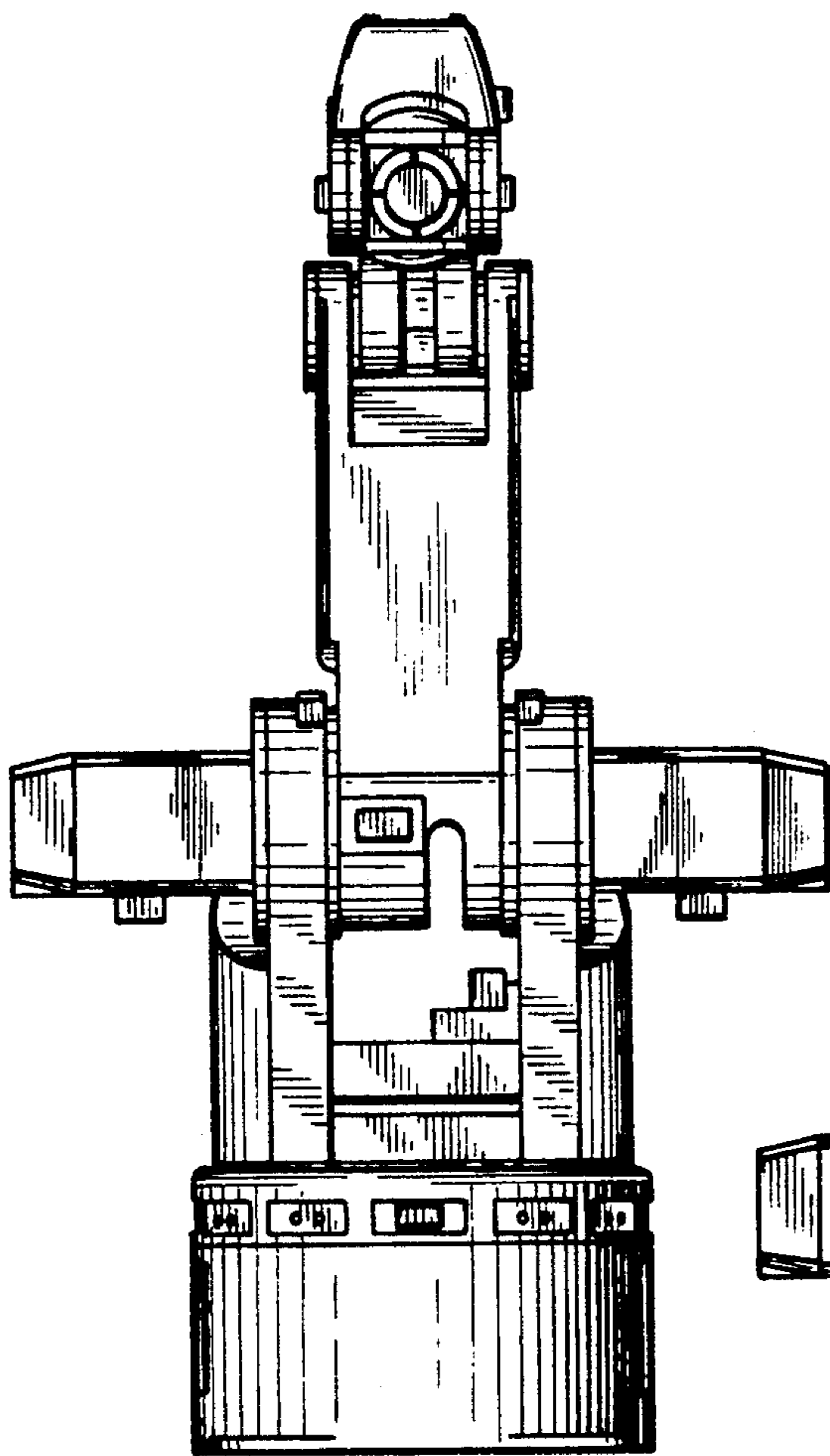


FIG. 3

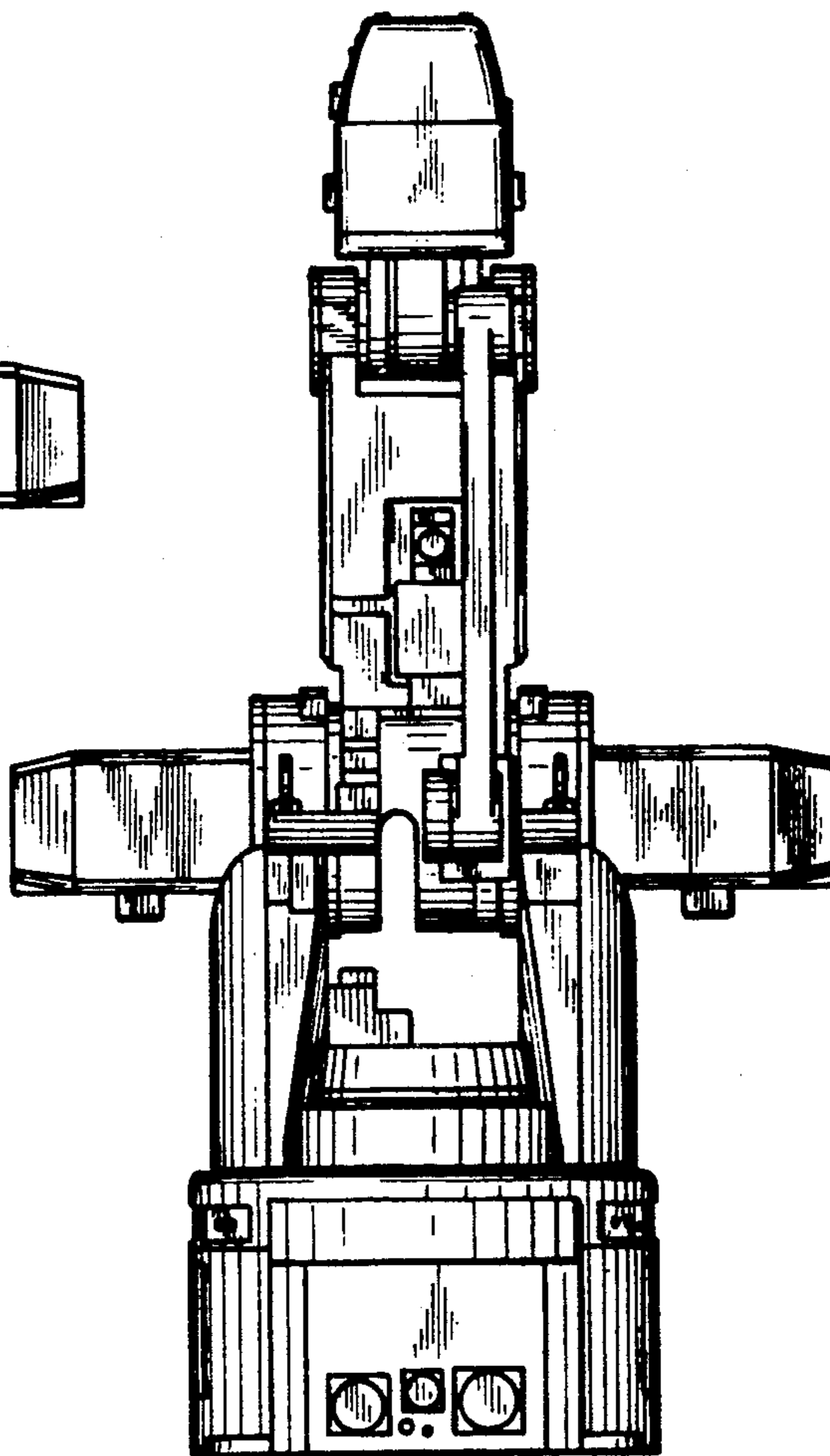


FIG. 4

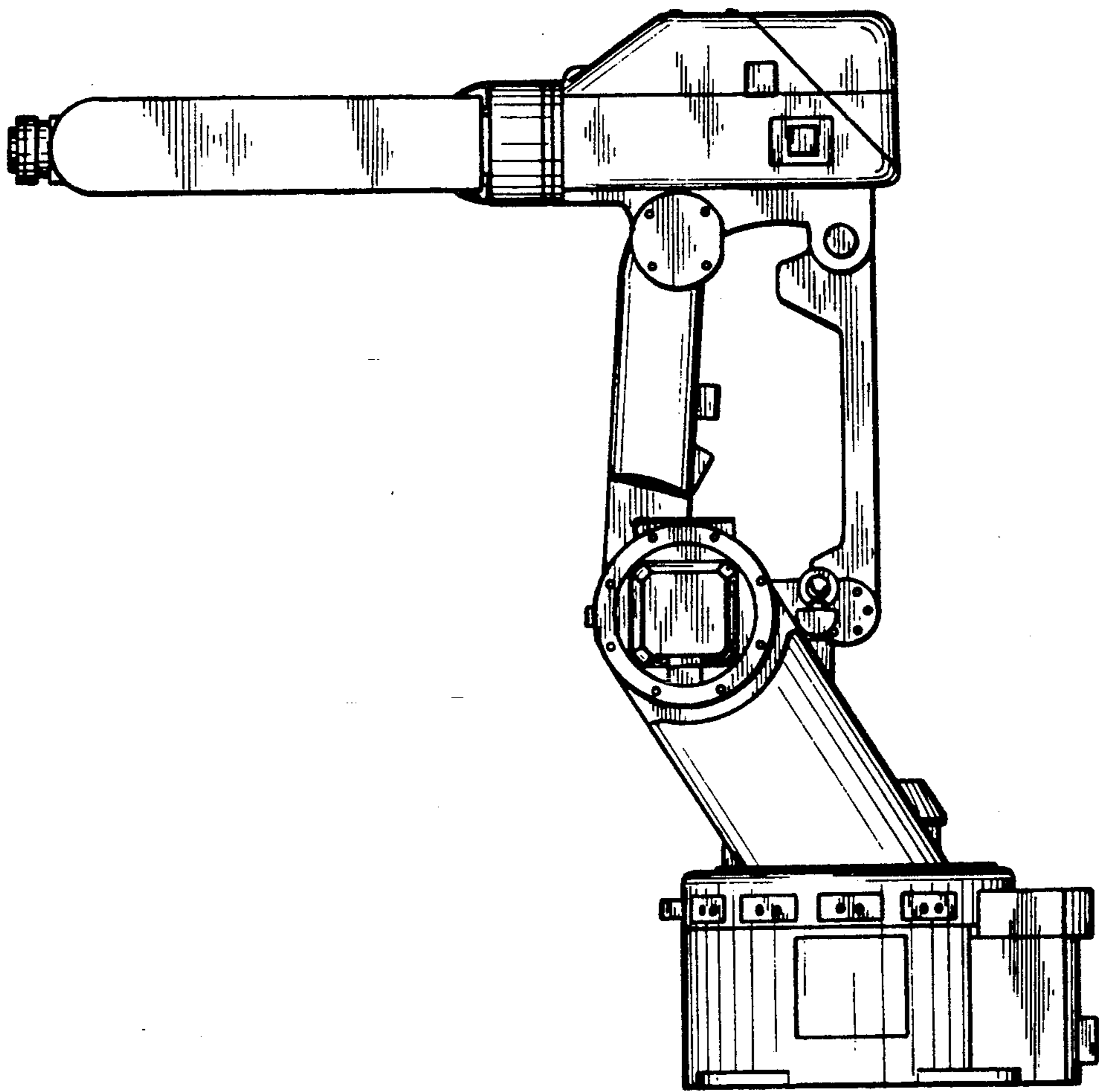


FIG. 5

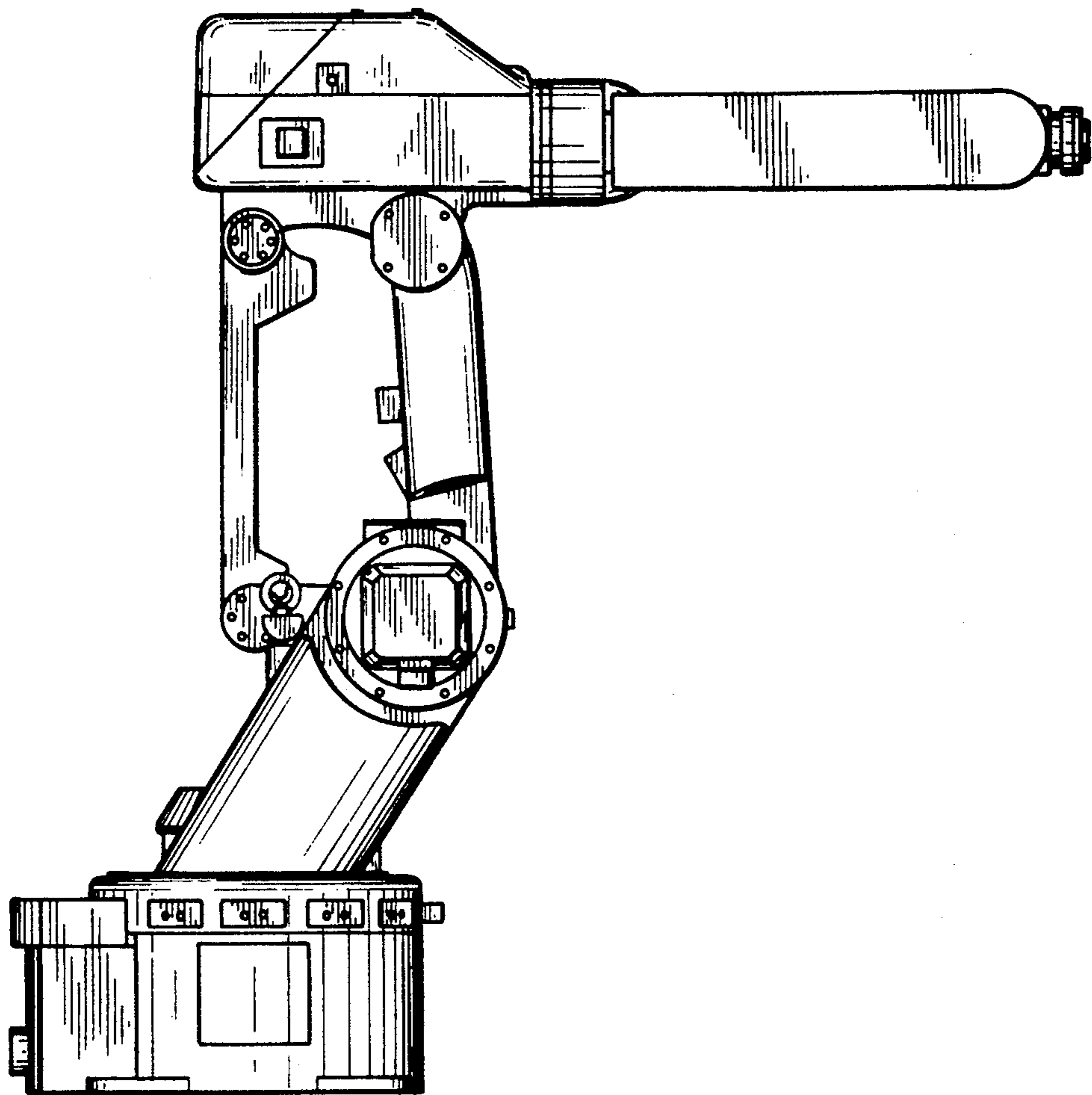


FIG. 6

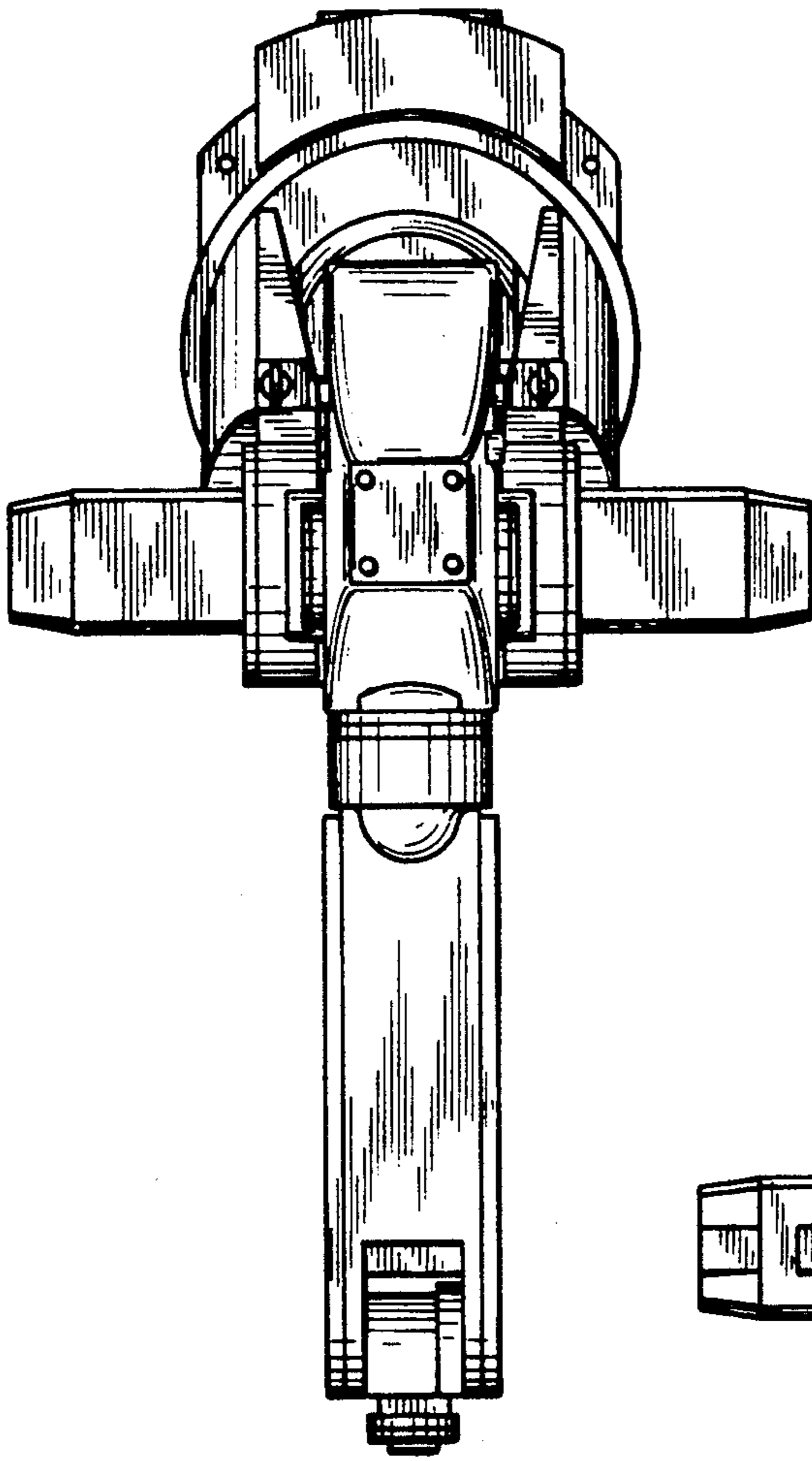


FIG. 7

