



US00D334580S

United States Patent [19]

[11] Patent Number: **Des. 334,580**

Acock

[45] Date of Patent: **** Apr. 6, 1993**

[54] **PORTABLE VACUUM UNIT FOR AN AUTOMATIC DAMPENER SYSTEM IN OFFSET PRINTING**

[75] Inventor: **Donald L. Acock, Portland, Oreg.**

[73] Assignee: **Beanomatic, Inc., Portland, Oreg.**

[**] Term: **14 Years**

[21] Appl. No.: **511,337**

[22] Filed: **Apr. 19, 1990**

[52] U.S. Cl. **D15/199**

[58] Field of Search **D15/199; 101/416.1, 101/405, 423, 425, 451, 456, 457, DIG. 34; 106/216; 134/26; 252/356, 357; 427/145; 430/112, 302, 309, 118; 524/43, 55, 521, 555; 525/242**

[56] **References Cited**

U.S. PATENT DOCUMENTS

4,574,698	3/1986	Mesker	101/423 X
4,717,426	1/1988	Brynildsen	134/26
4,826,539	5/1989	Harpold	101/423 X

Primary Examiner—Alan P. Douglas
Assistant Examiner—Antoine D. Davis
Attorney, Agent, or Firm—Chernoff, Vilhauer, McClung & Stenzel

[57] **CLAIM**

The ornamental design for a portable vacuum unit for an automatic dampener system in offset printing, as shown and described.

DESCRIPTION

FIG. 1 is a top, front and right side perspective view of a portable vacuum unit for an automatic dampener system in offset printing showing my new design, the broken line showing of hose and nozzle are for environmental purposes only and form no part of the claimed design;

FIG. 2 is a top plan view thereof;

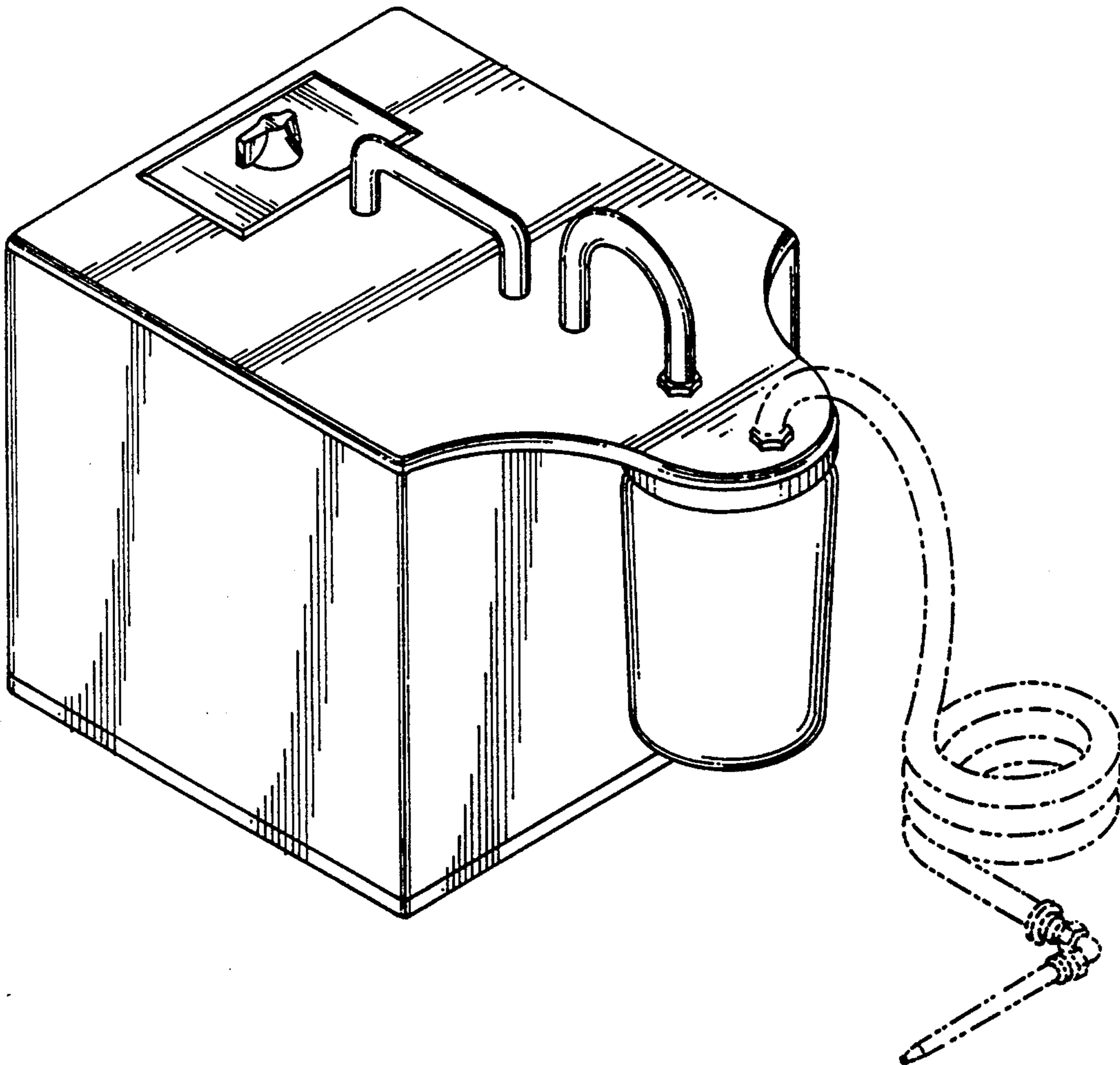
FIG. 3 is a front elevational view thereof;

FIG. 4 is a bottom plan view thereof;

FIG. 5 is a rear elevational view thereof;

FIG. 6 is a right side elevational view thereof; and,

FIG. 7 is a left side elevational view thereof.



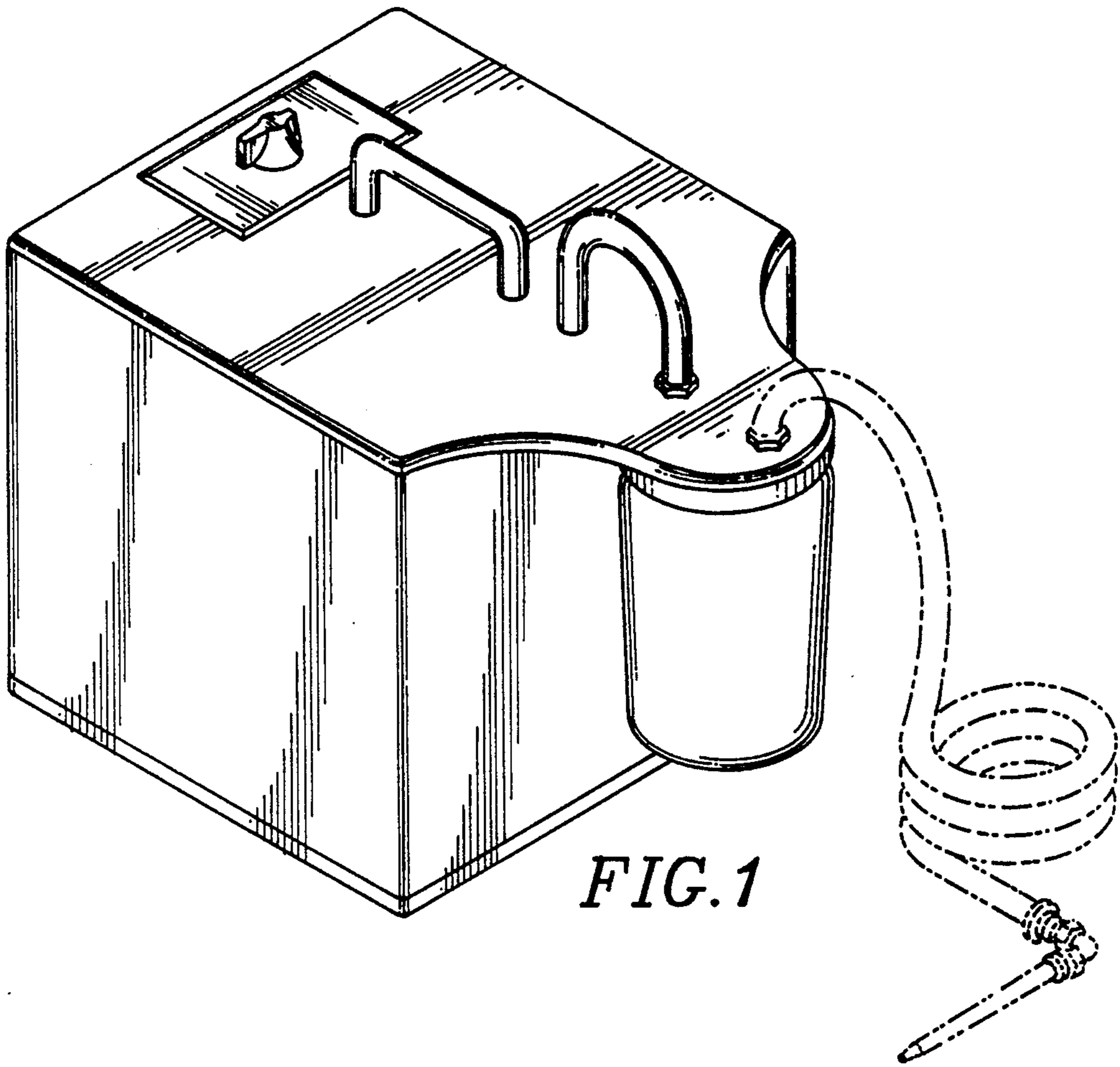


FIG. 1

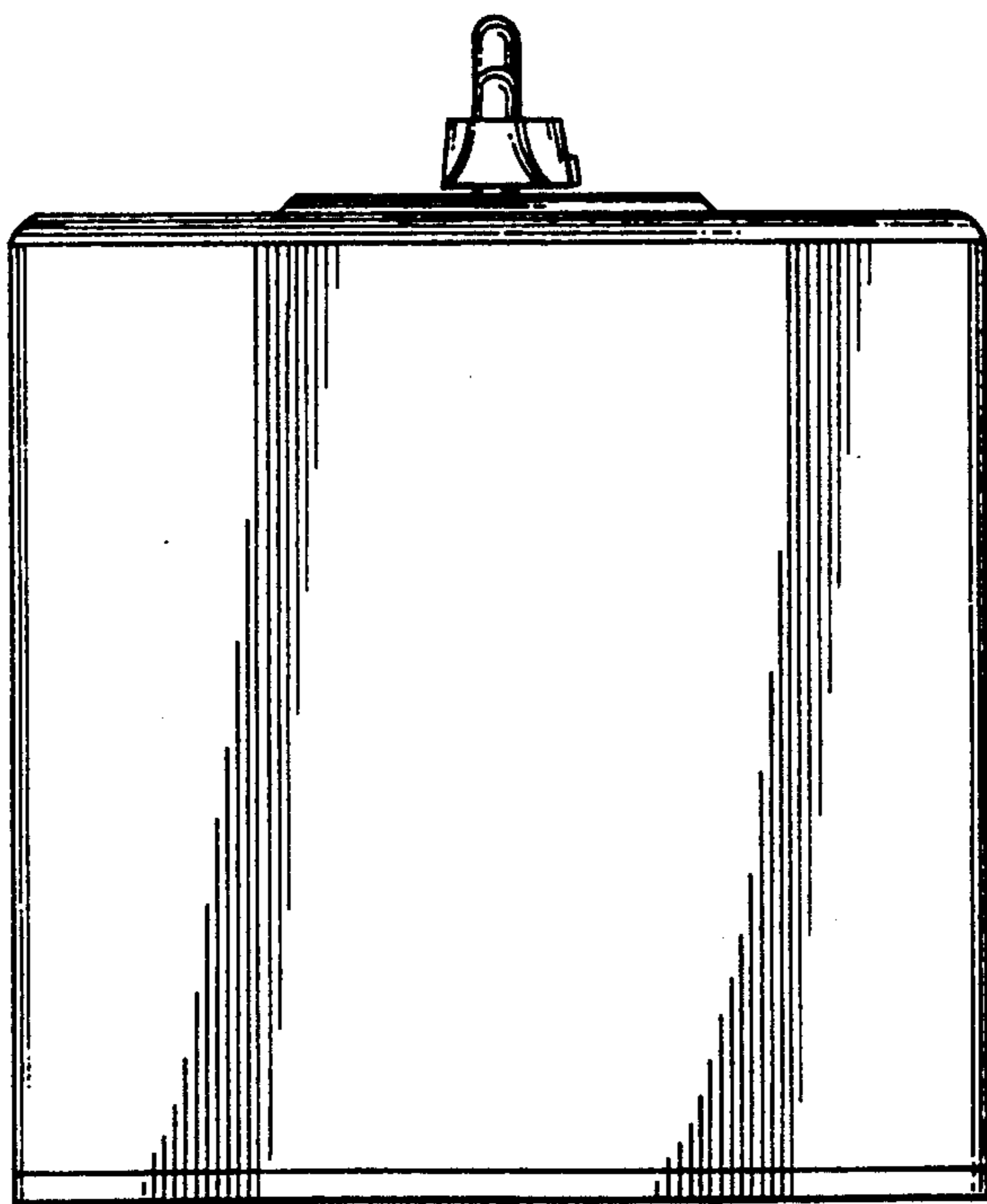


FIG. 7

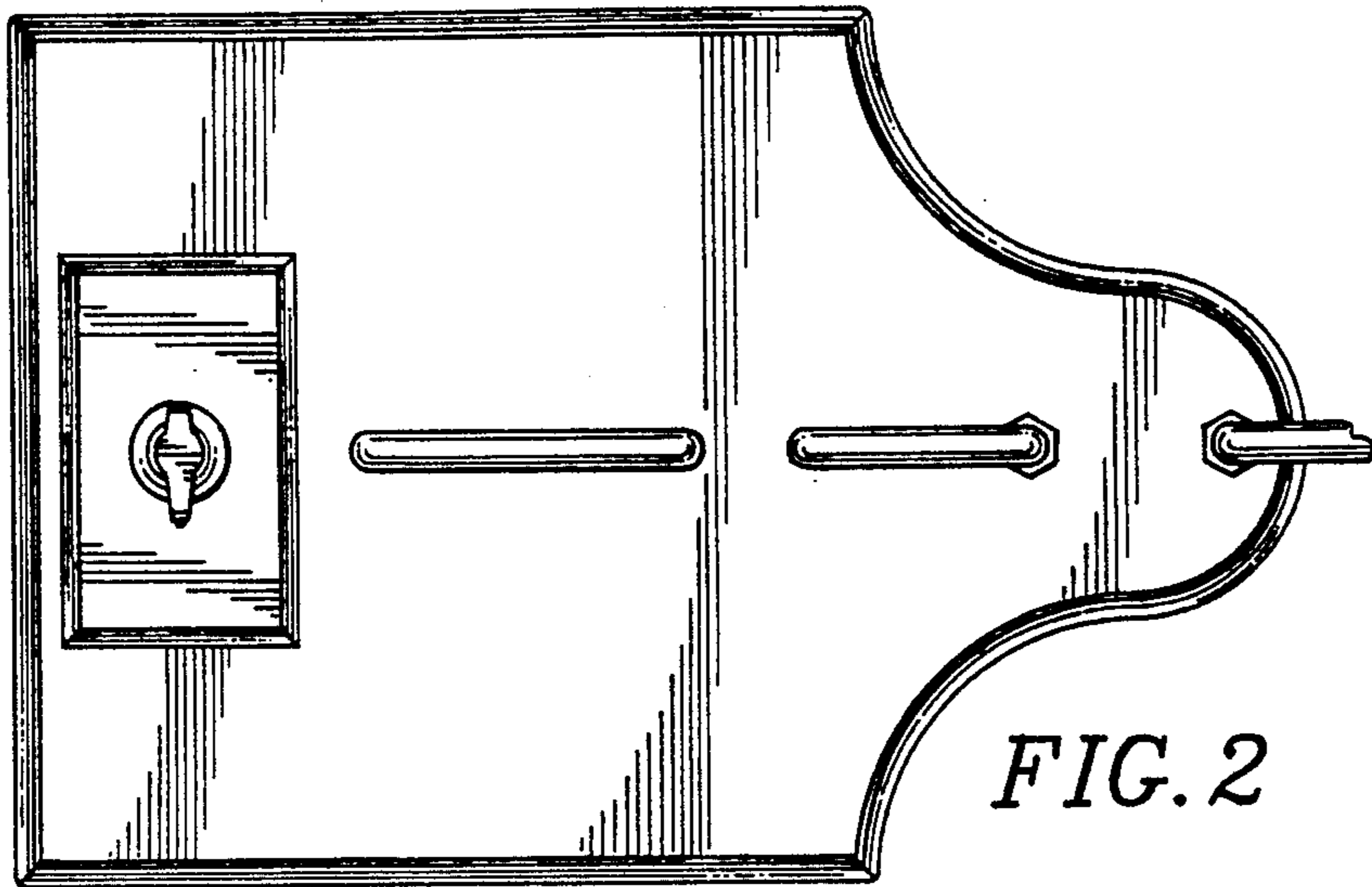


FIG. 2

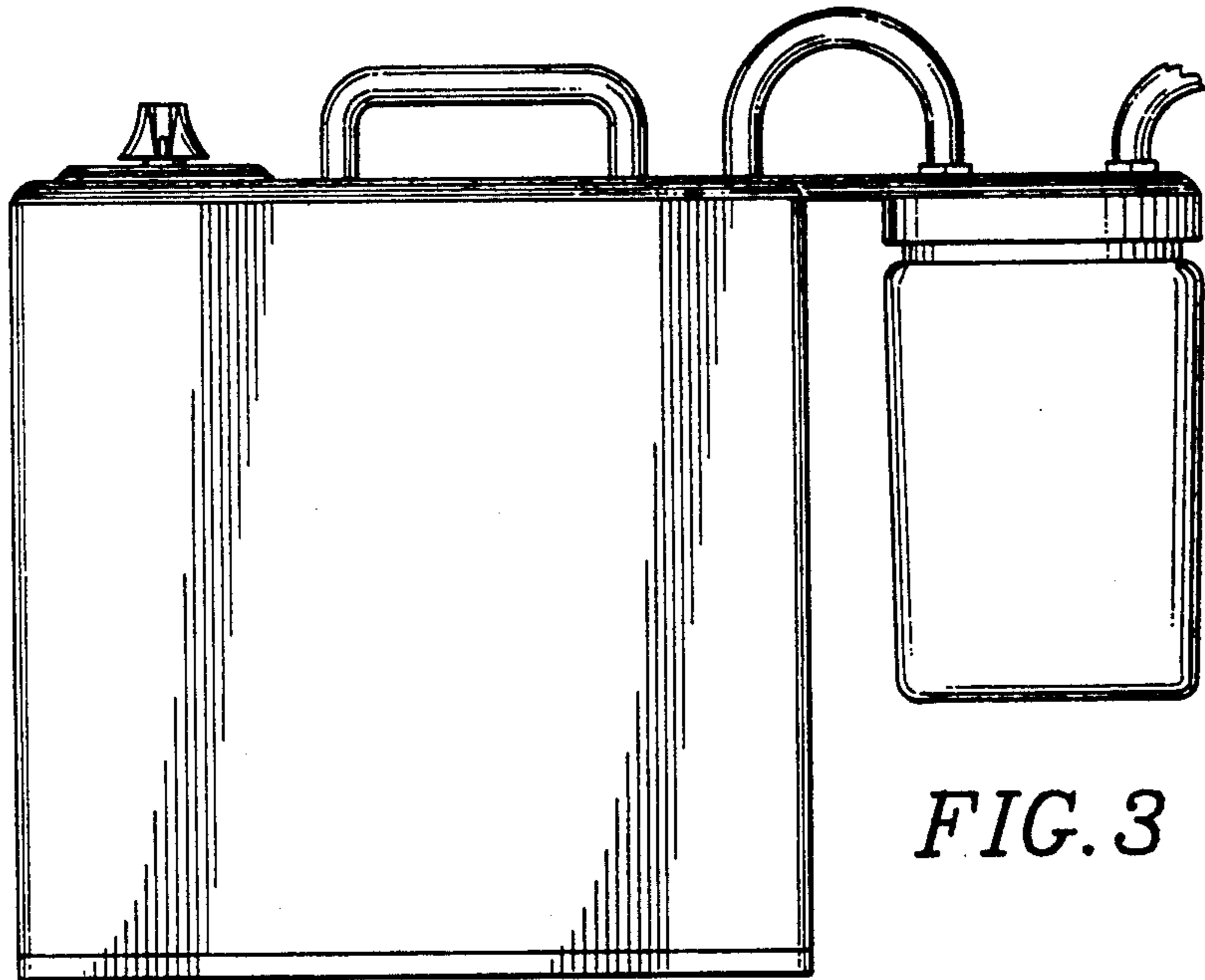


FIG. 3

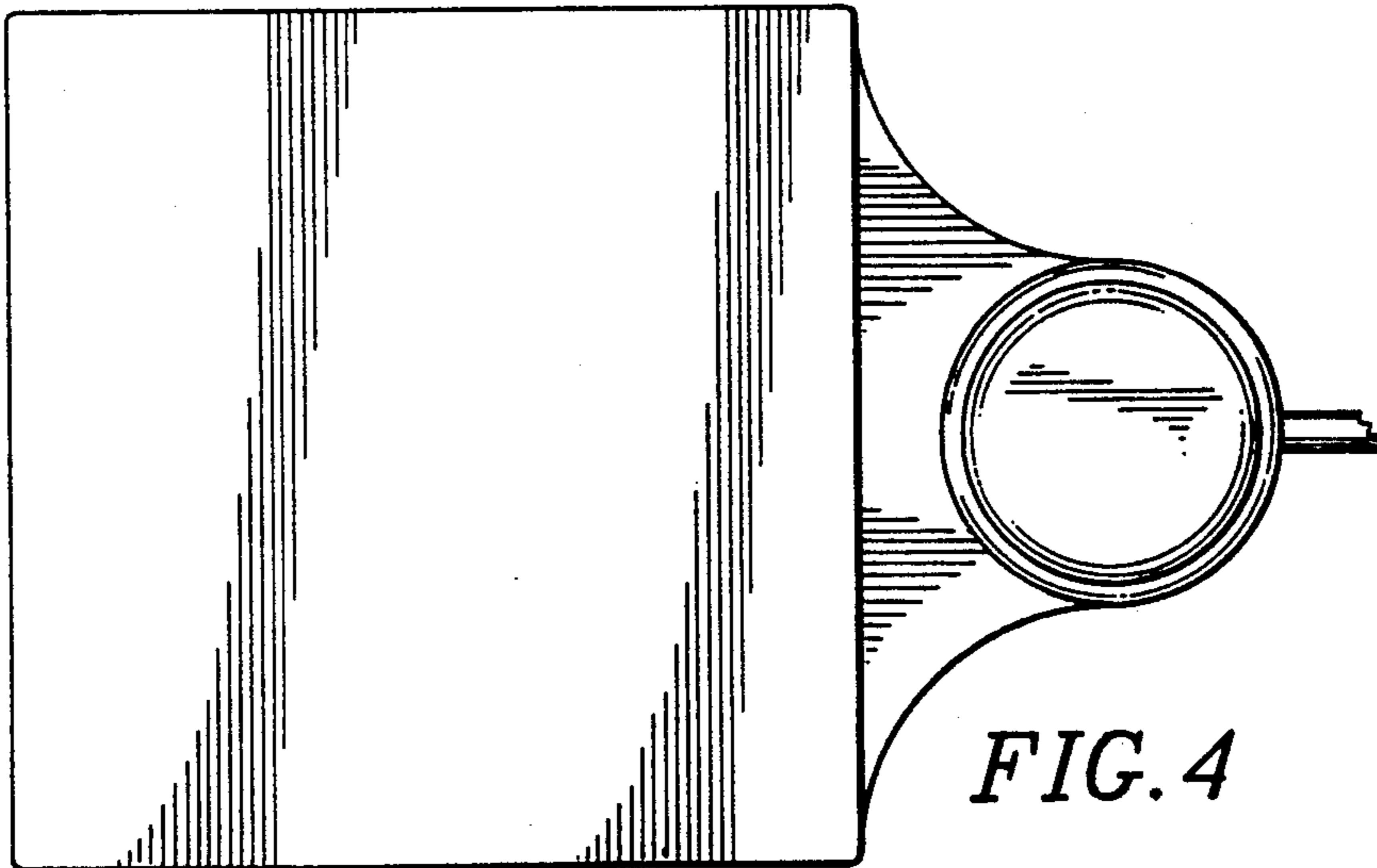


FIG. 4

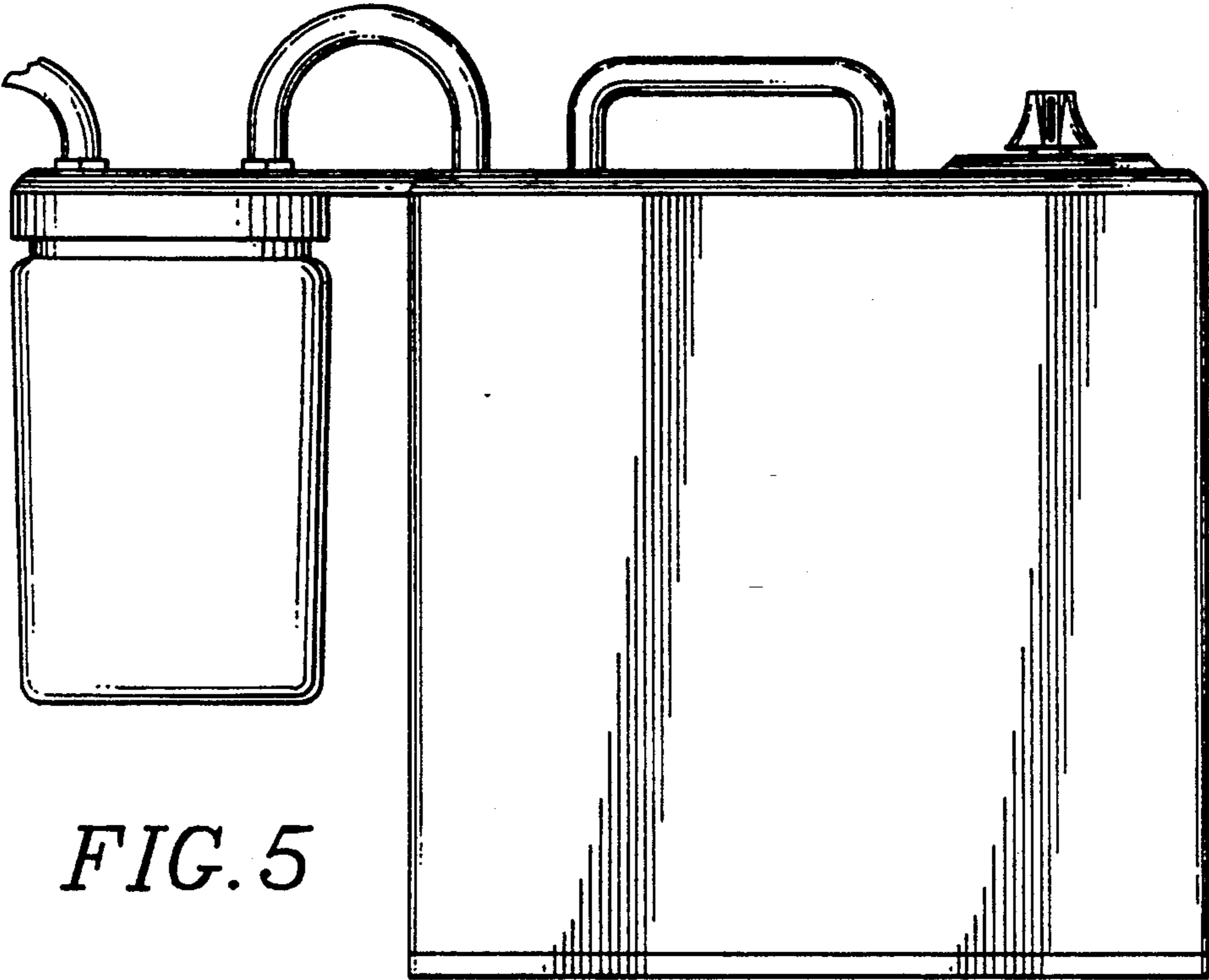


FIG. 5

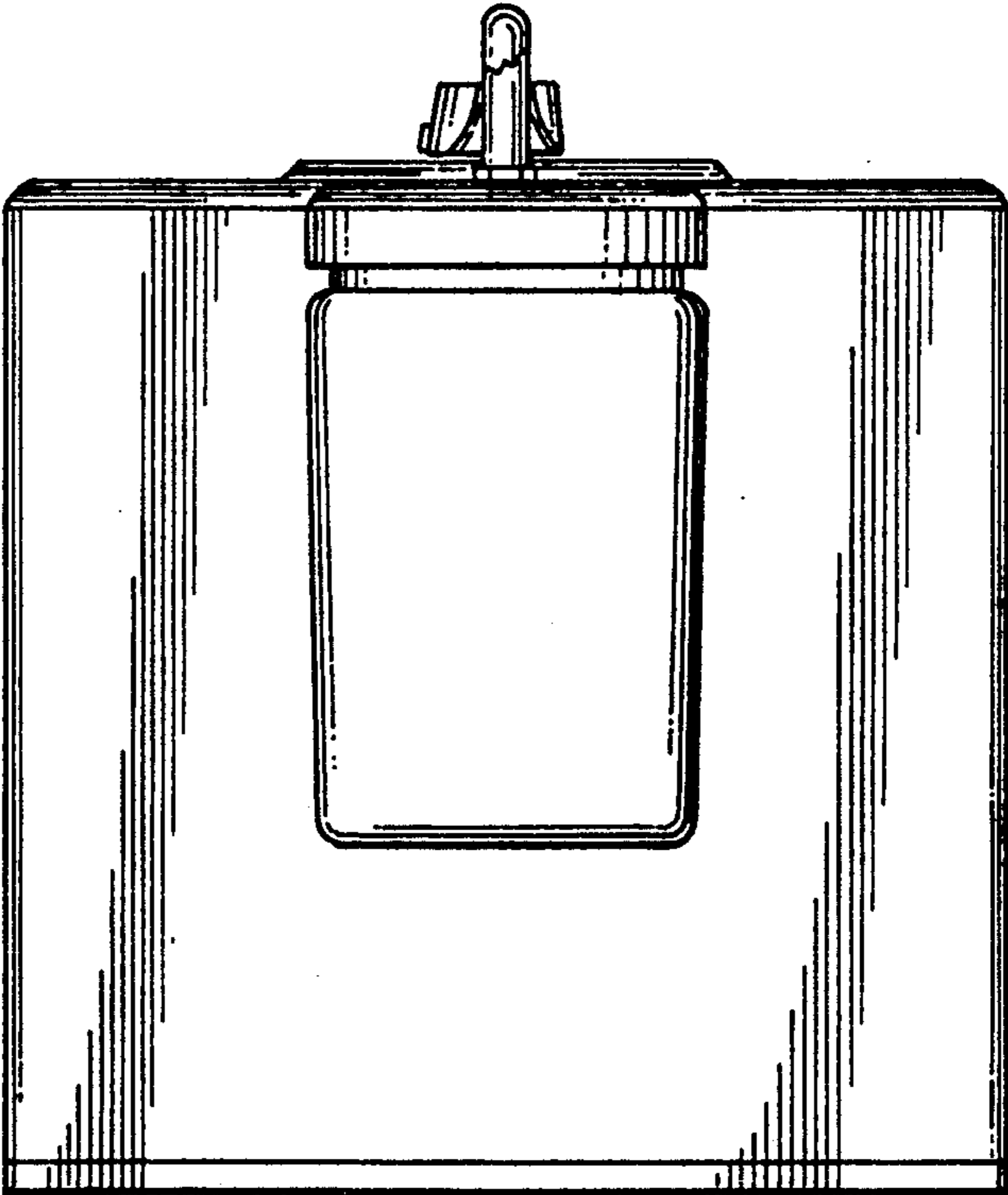


FIG. 6