



US00D334576S

United States Patent [19]

[11] Patent Number: **Des. 334,576**

Kawakami et al.

[45] Date of Patent: **** Apr. 6, 1993**

[54] **PORTABLE MITER SAW**

[75] Inventors: **Hideki Kawakami, Hiroshima; Naoki Kikuchi, Tokyo, both of Japan**

[73] Assignee: **Ryobi Ltd, Hiroshima, Japan**

[**] Term: **14 Years**

[21] Appl. No.: **637,433**

[22] Filed: **Apr. 4, 1991**

[30] **Foreign Application Priority Data**

Jul. 10, 1990 [JP] Japan 2-23420

[52] U.S. Cl. **D15/133**

[58] Field of Search **D15/127, 133; 83/471.1, 83/471.3, 477, 581**

[56] **References Cited**

U.S. PATENT DOCUMENTS

- D. 305,542 1/1990 Miyamoto et al. D15/133
- D. 324,055 2/1992 Sakai et al. D15/133
- 3,821,918 7/1974 Niehaus et al. D15/133 X
- 4,638,700 1/1987 Fushiya et al. 83/471.3 X
- 4,799,416 1/1989 Kunasaka et al. 83/471.3 X
- 5,042,348 8/1991 Brundage et al. 83/471.3

FOREIGN PATENT DOCUMENTS

590319 9/1982 Japan .

590319 12/1982 Japan .

491894 5/1989 Japan .

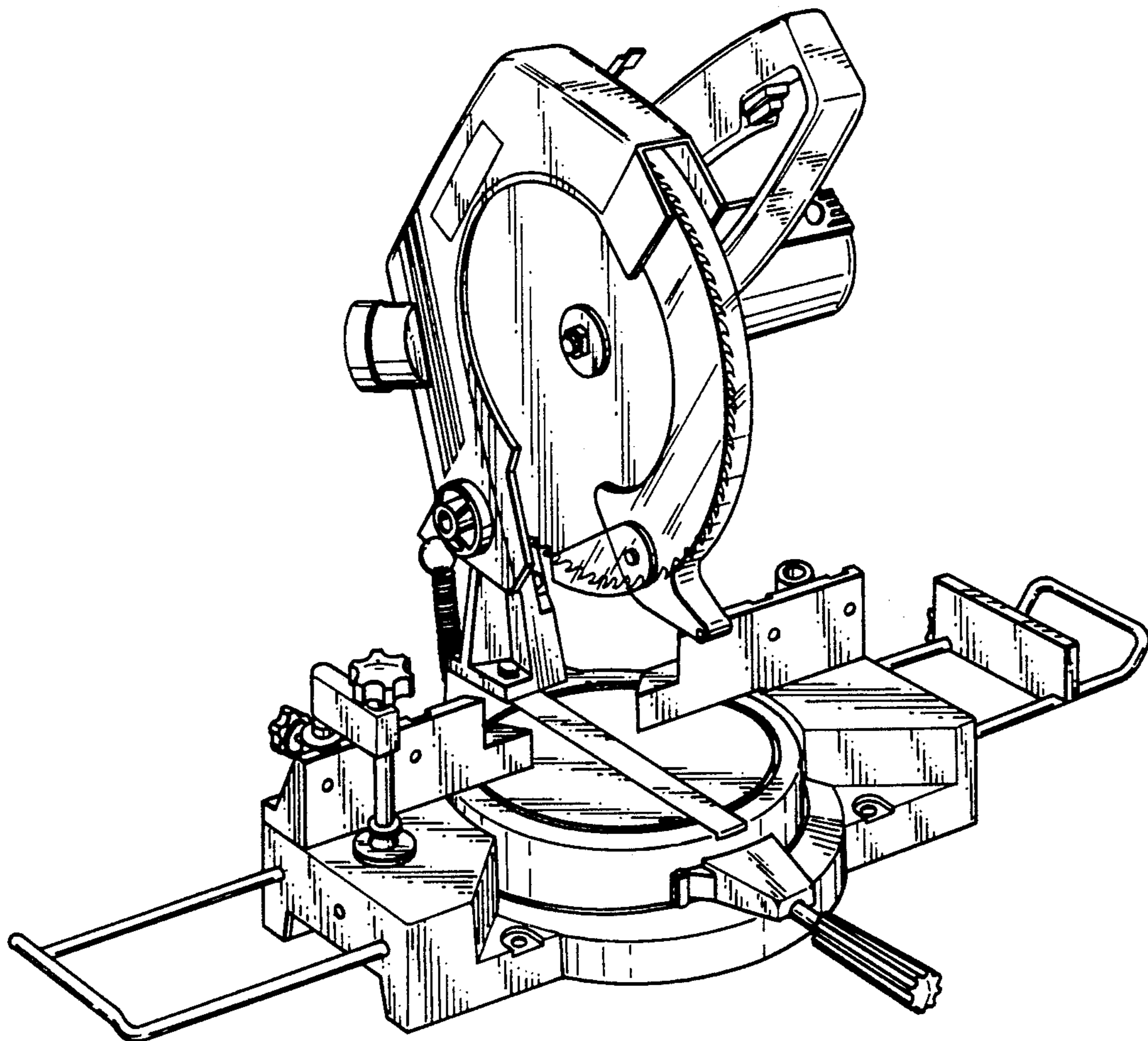
Primary Examiner—Alan P. Douglas
Assistant Examiner—Antoine D. Davis
Attorney, Agent, or Firm—Sughrue, Mion, Zinn, Macpeak & Seas

[57] **CLAIM**

The ornamental design for a portable miter saw, as shown.

DESCRIPTION

FIG. 1 is a front, top and left side perspective view of a portable miter saw showing our new design; FIG. 2 is a top, rear and right side perspective view thereof; FIG. 3 is a left side elevational view thereof; FIG. 4 is a right side elevational view thereof; FIG. 5 is a rear elevational view thereof; FIG. 6 is a front elevational view thereof; FIG. 7 is a top plan view thereof; and, FIG. 8 is a bottom plan view thereof.



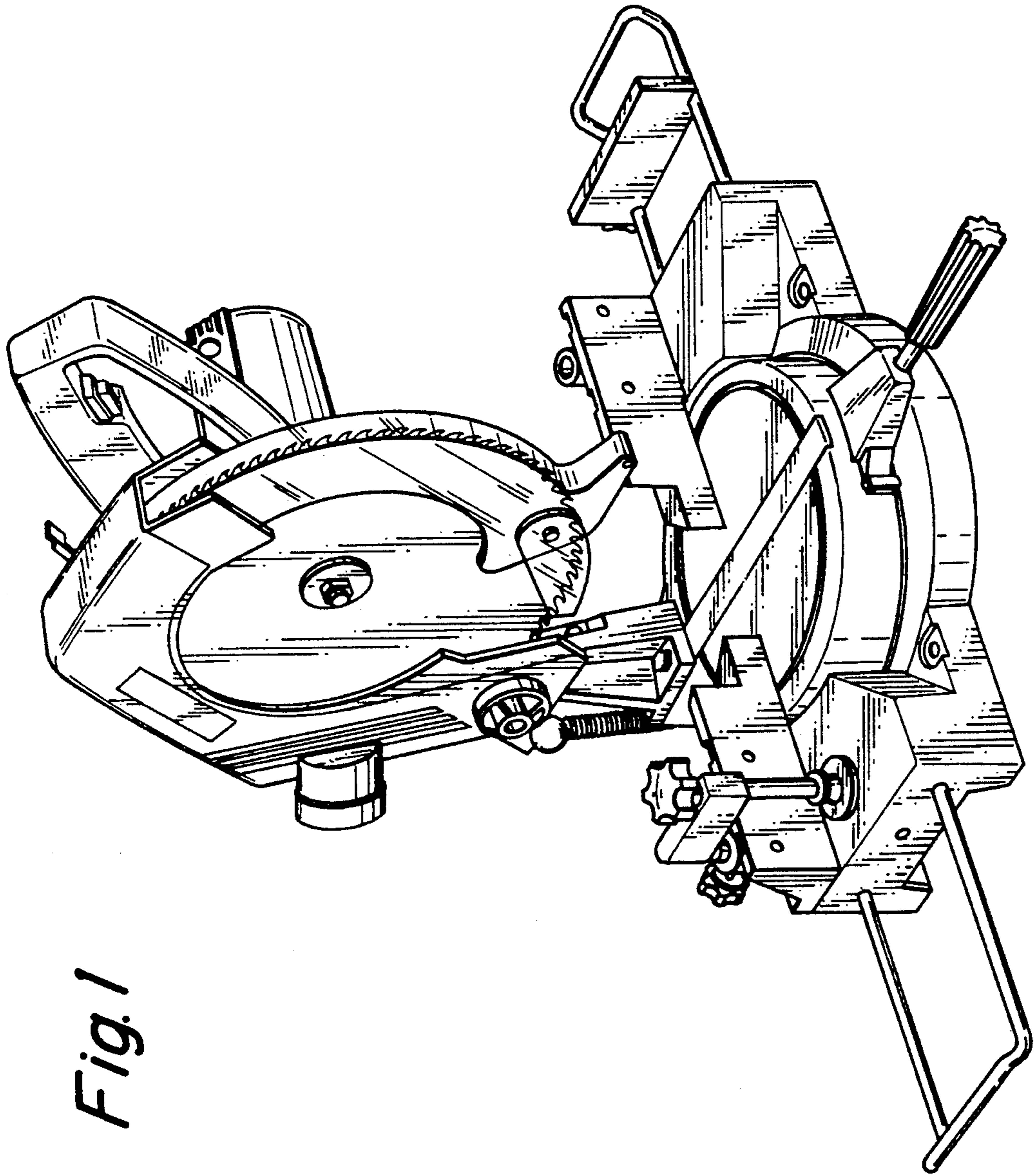


Fig. 1

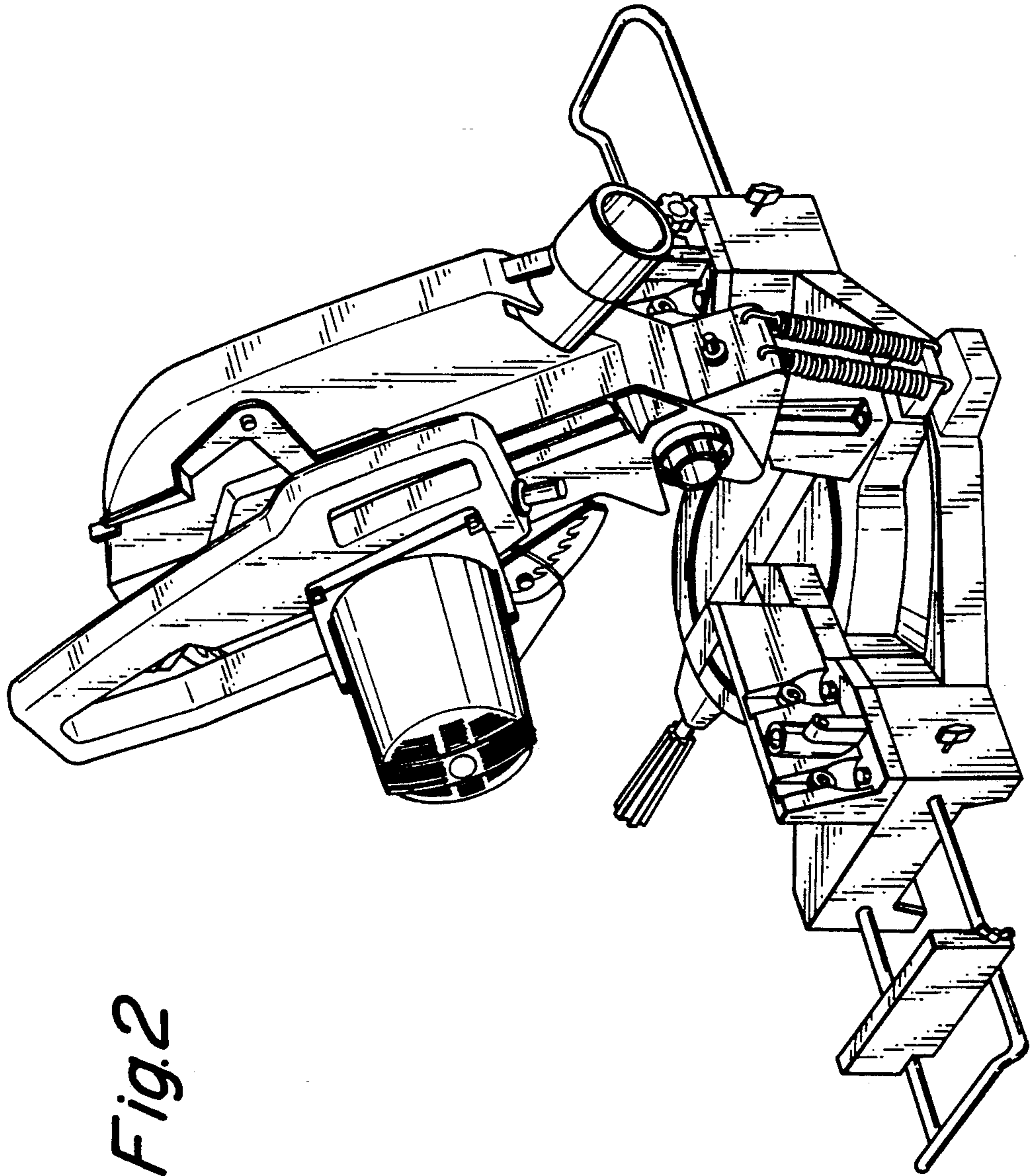


Fig. 2

Fig.3

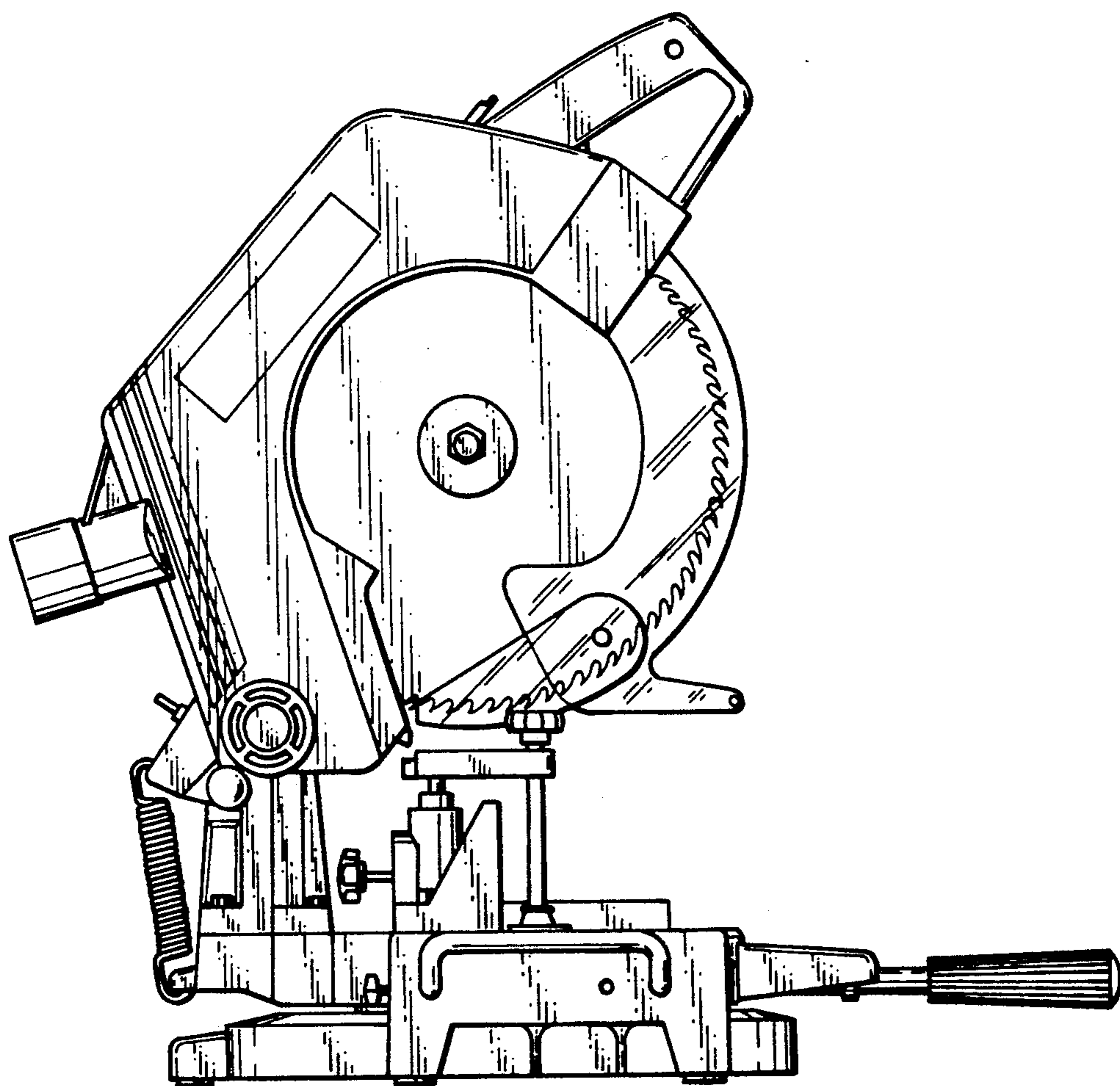
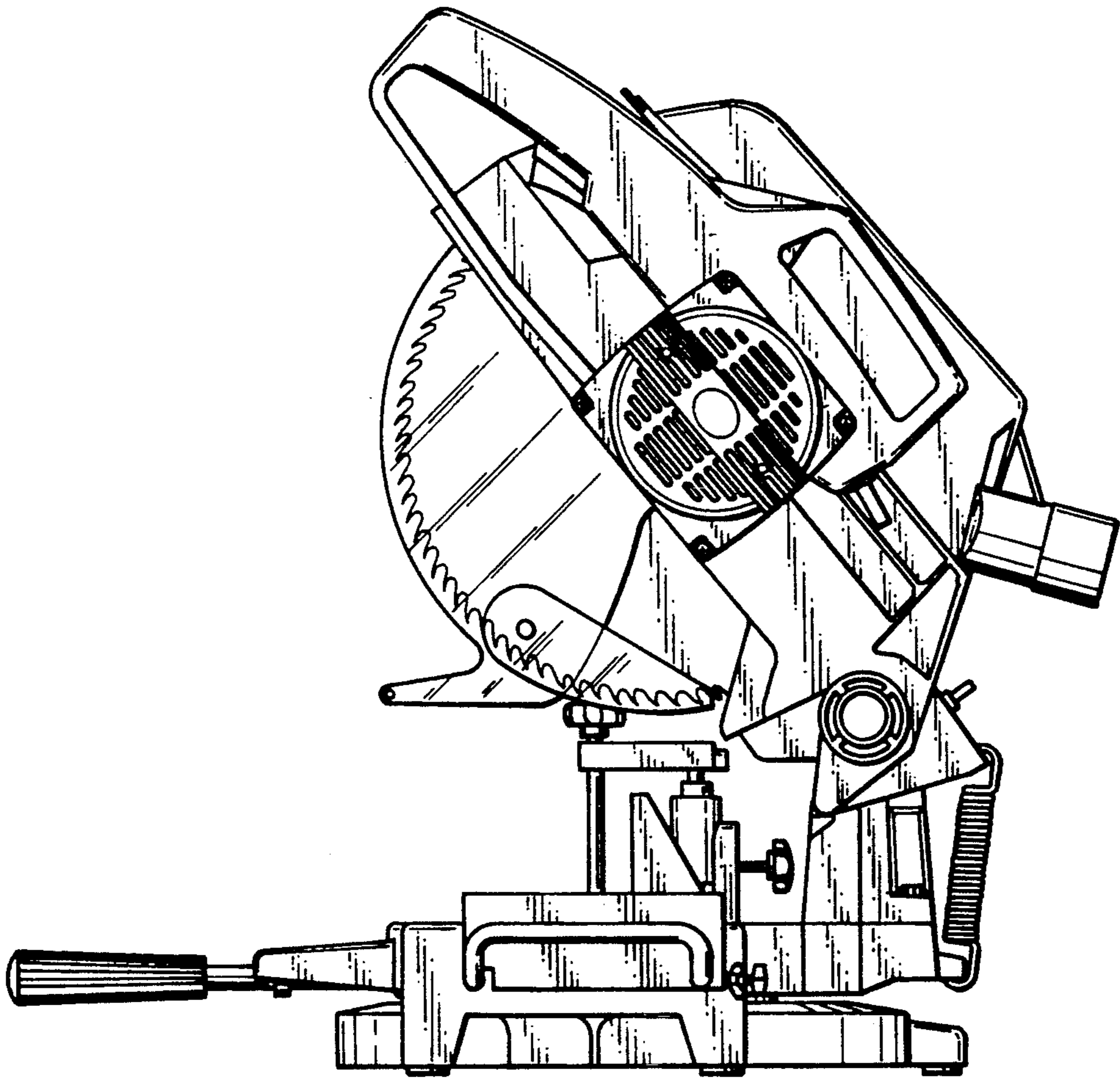


Fig.4



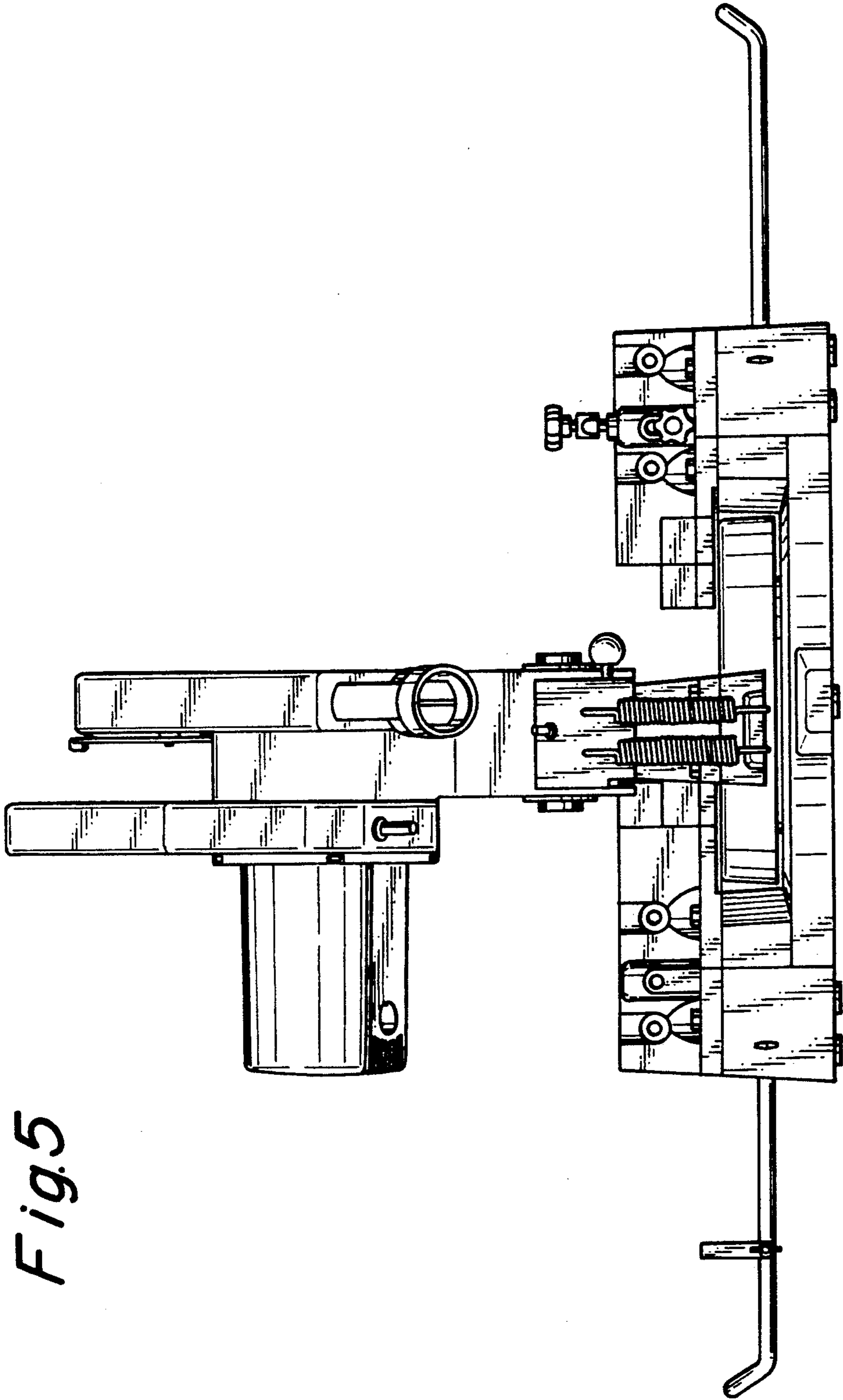


Fig. 5

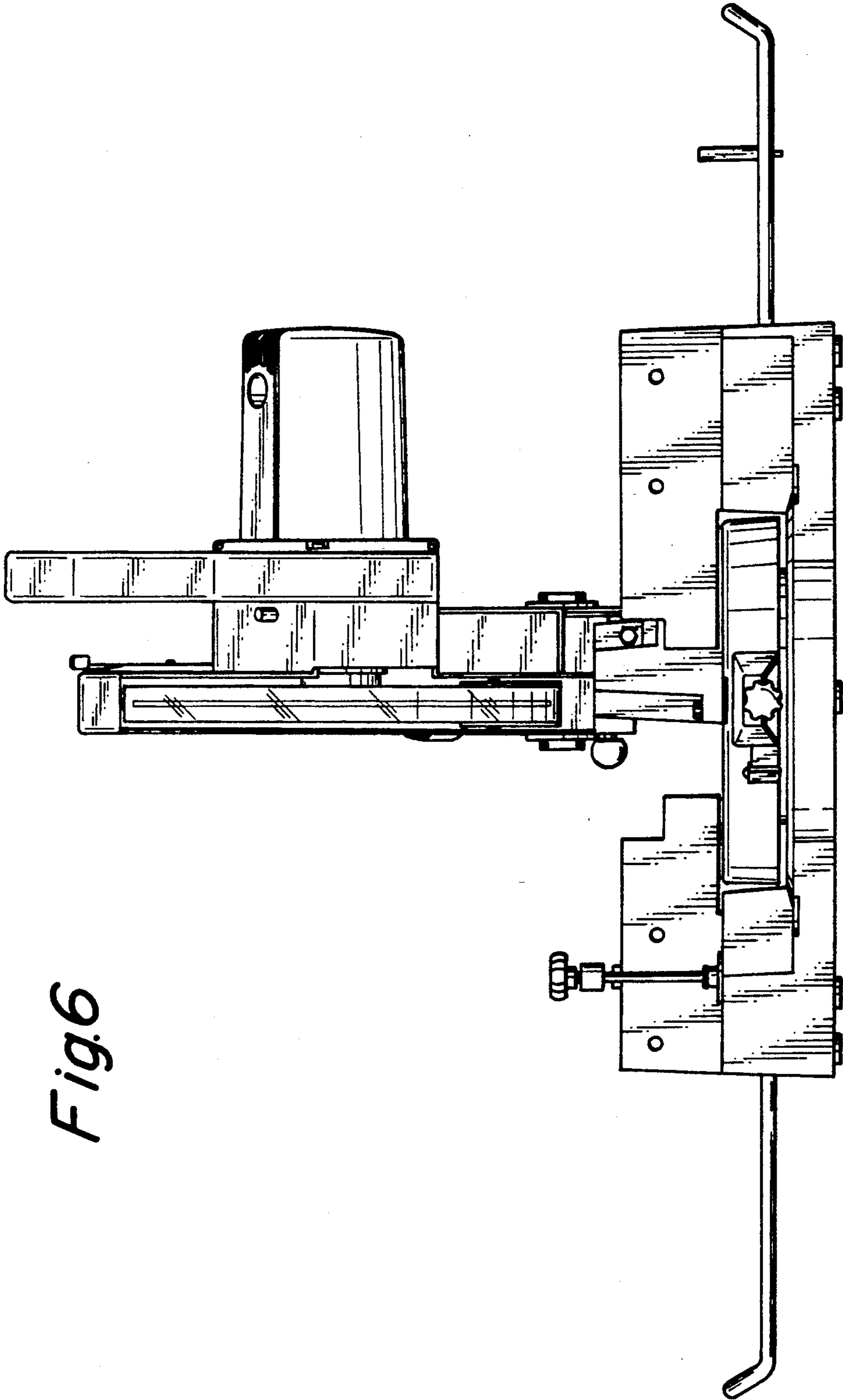


Fig. 6

Fig.7

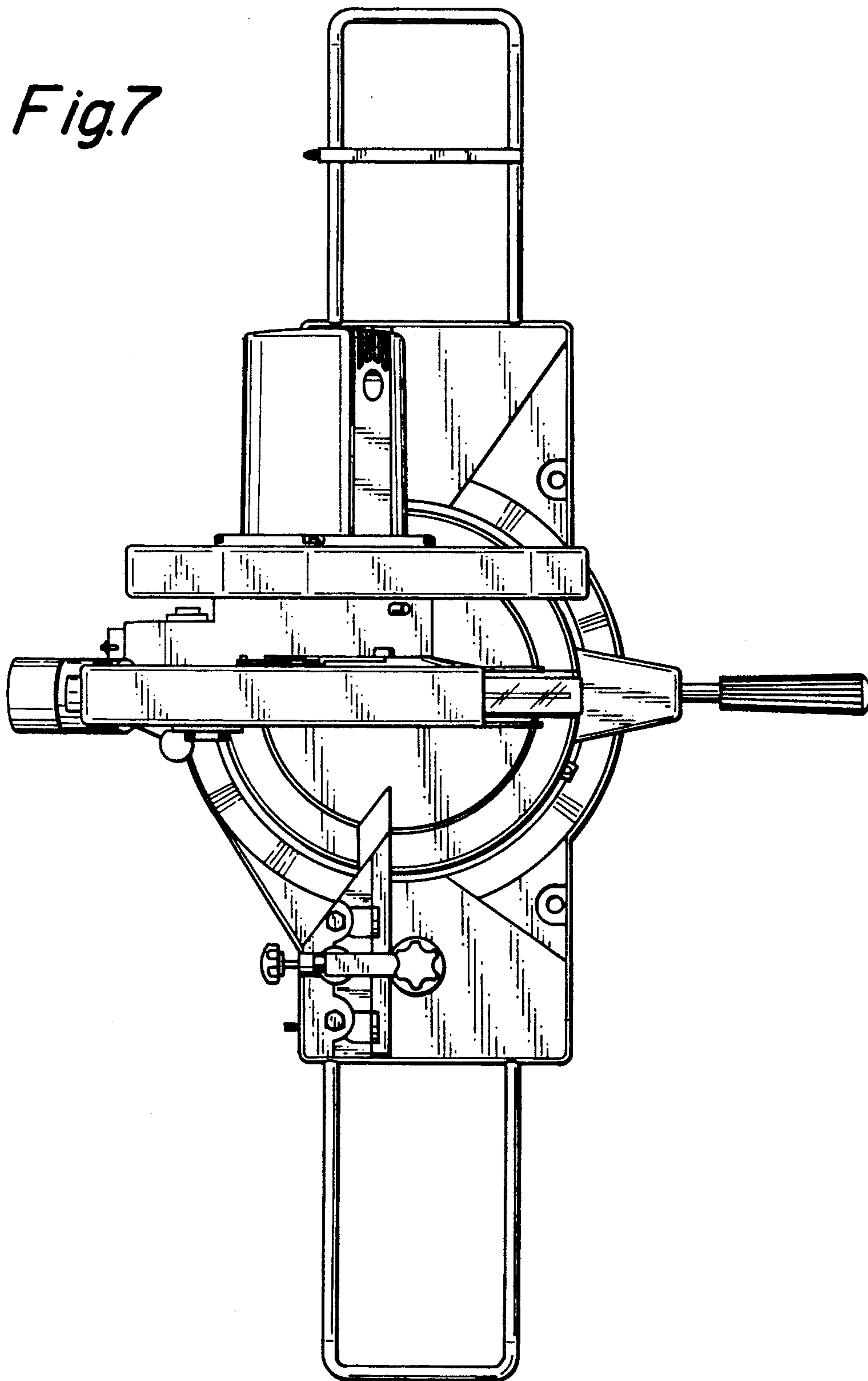


Fig. 8

