



US00D334575S

United States Patent [19]

Garman

[11] Patent Number: Des. 334,575

[45] Date of Patent: ** Apr. 6, 1993

[54] IMPLEMENT TOOTH ADAPTER

[75] Inventor: James A. Garman, Eureka, Ill.

[73] Assignee: Caterpillar Inc., Peoria, Ill.

[**] Term: 14 Years

[21] Appl. No.: 580,436

[22] Filed: Sep. 10, 1990

[52] U.S. Cl. D15/28

[58] Field of Search D15/10, 23-25,
D15/28, 29, 32; 37/103, 117.5, 118, 141 R, 141
T, 142 R, 142 A, DIG. 12; 414/722

4,965,945 10/1990 Emrich 37/142 R

FOREIGN PATENT DOCUMENTS

3611493A1 10/1987 Fed. Rep. of Germany .

Primary Examiner—Bernard Ansher
 Assistant Examiner—Sandra Morris
 Attorney, Agent, or Firm—J. W. Burrows

[57] CLAIM

The ornamental design for an implement tooth adapter, as shown and described.

DESCRIPTION

FIG. 1 is a perspective view of an implement tooth adapter, showing my new design, the broken line showing of an implement base edge protector is for illustrative purposes only, and forms no part of the claimed design;

FIG. 2 is a top plan view thereof;
 FIG. 3 is a left side elevational view thereof;
 FIG. 4 is a front elevational view thereof;
 FIG. 5 is a right side elevational view thereof;
 FIG. 6 is a rear elevational view thereof; and,
 FIG. 7 is a bottom plan view thereof.

[56] References Cited

U.S. PATENT DOCUMENTS

D. 284,010	5/1986	Voyce	D15/29
3,762,079	10/1973	Lukavich et al.	37/141 R
3,851,413	12/1974	Lukavich	37/141 T
3,914,885	10/1975	Moreau	37/141 R
4,271,614	6/1981	Albrecht	37/103
4,414,764	11/1983	Johansson et al.	37/141 T
4,501,079	2/1985	Hahn et al.	37/142 R
4,550,512	11/1985	Felstet	37/117.5
4,932,145	6/1990	Reeves, Jr.	37/141 T

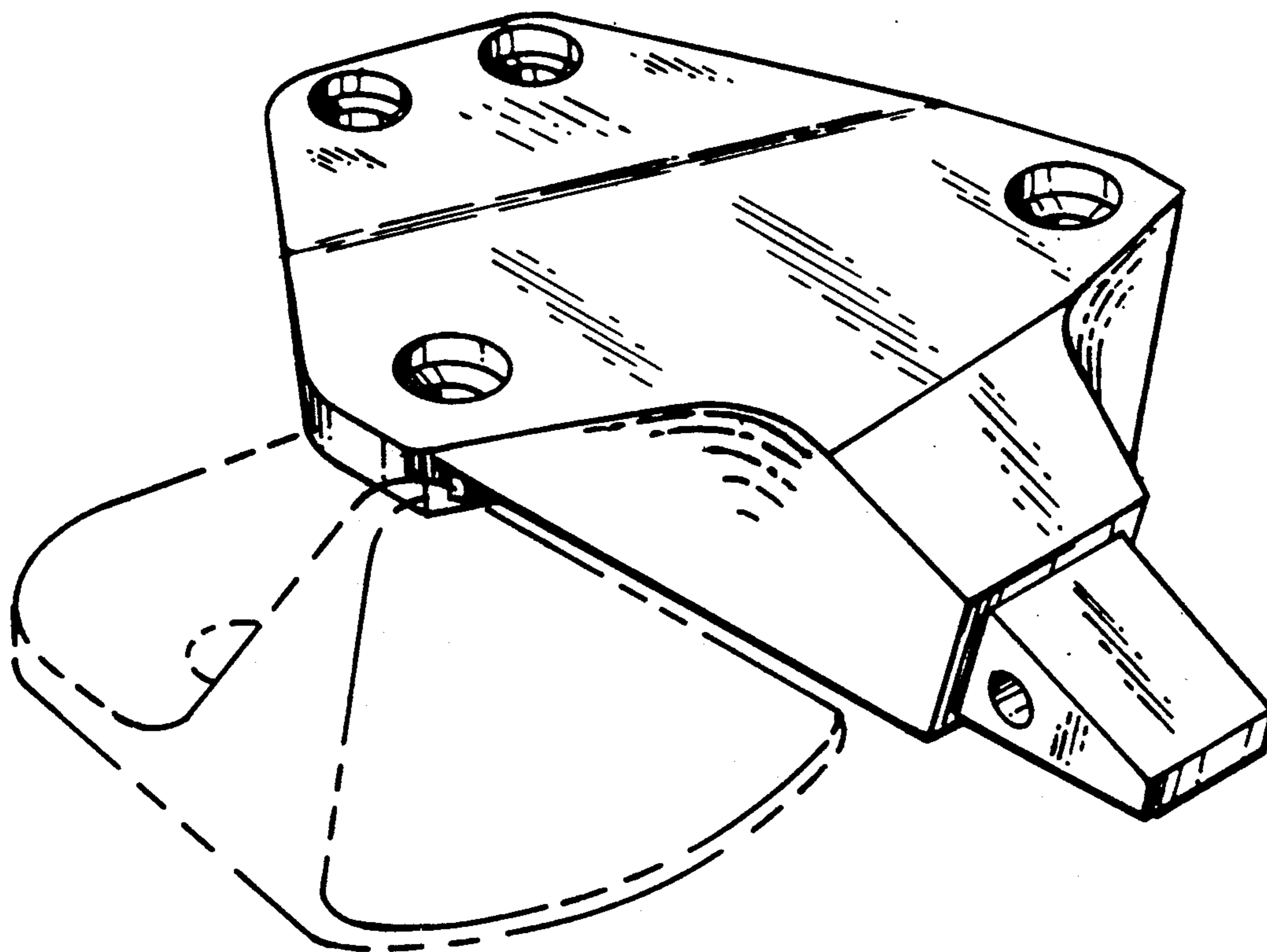


FIG-1.

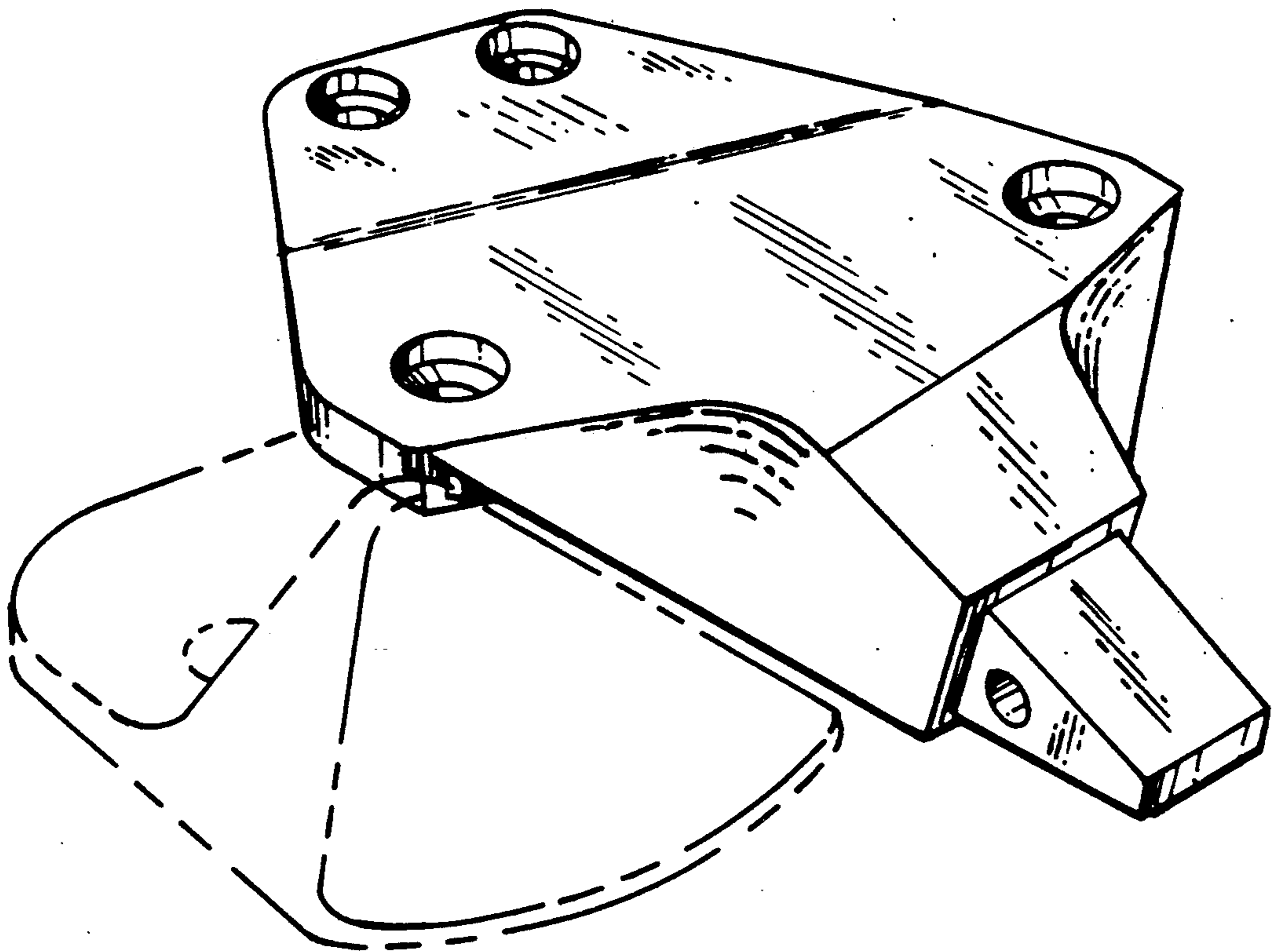


FIG. 2.

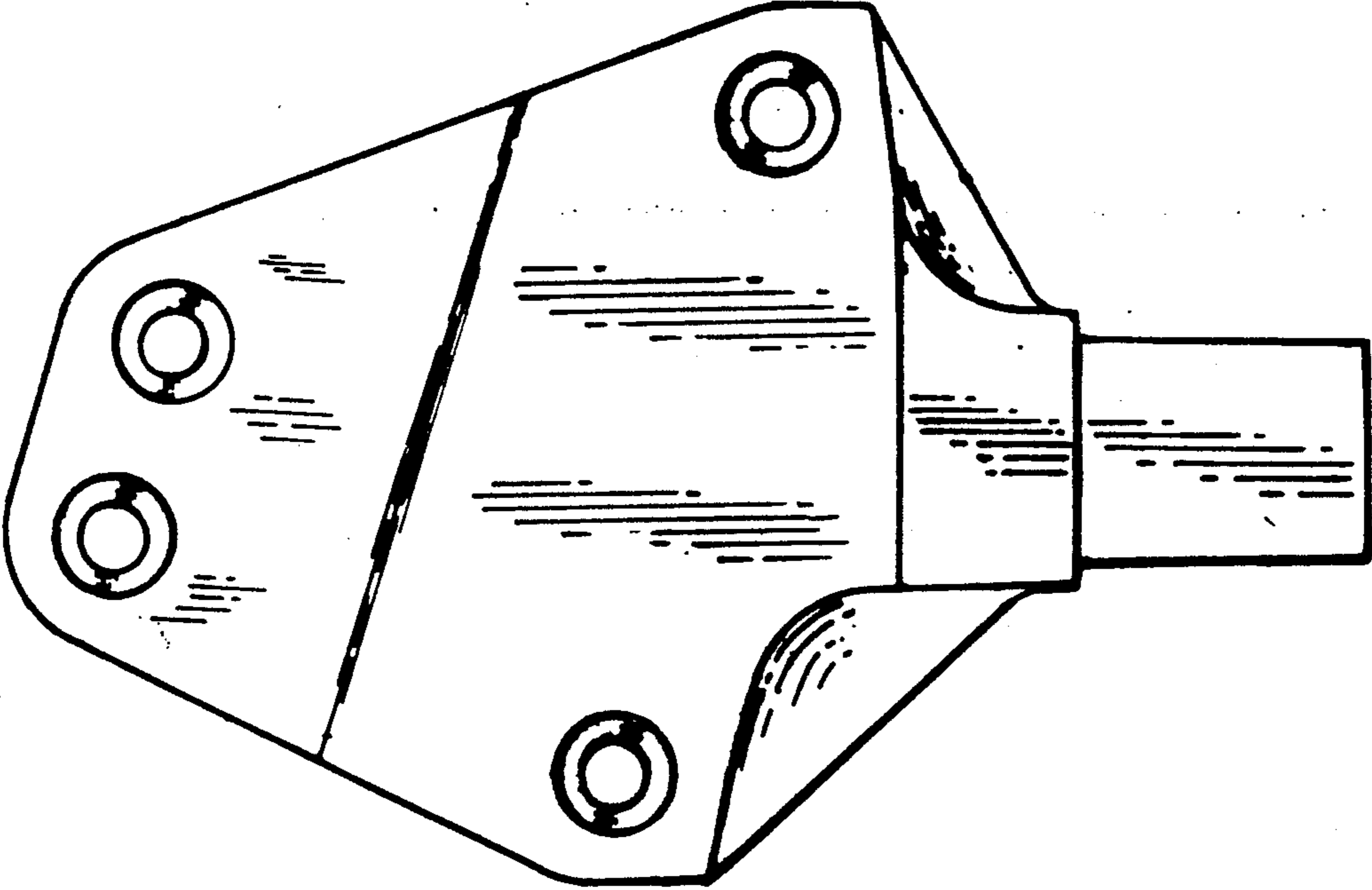


FIG. 3.

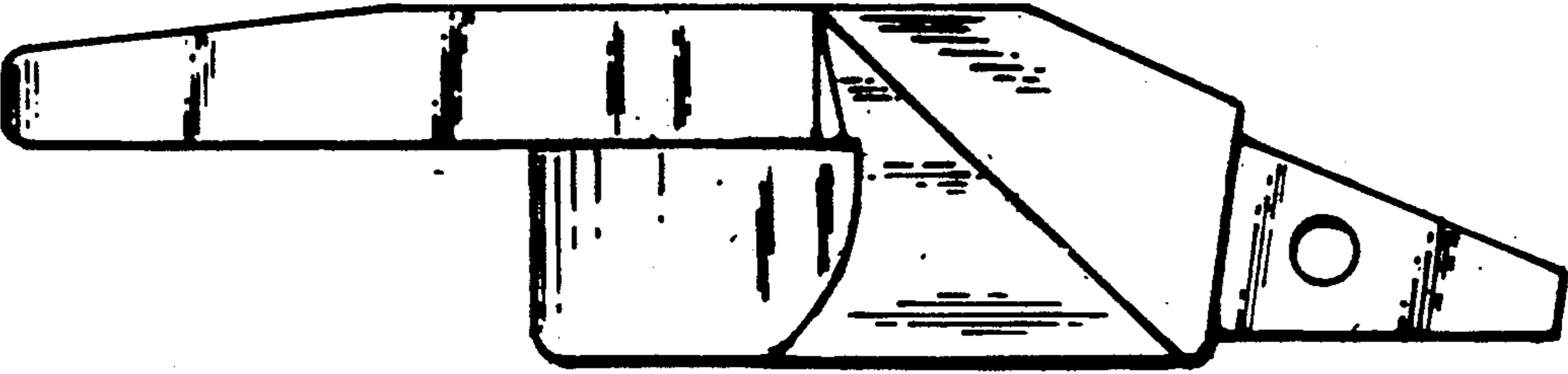


FIG. 4.

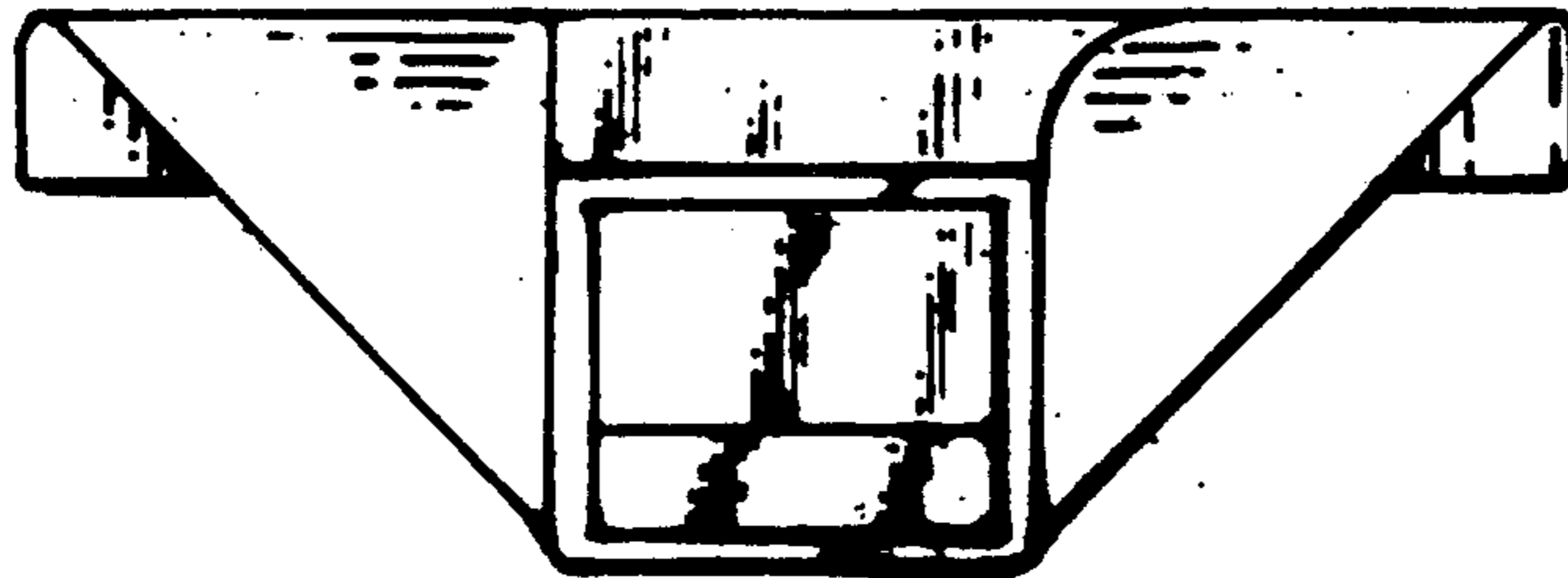


FIG. 5.

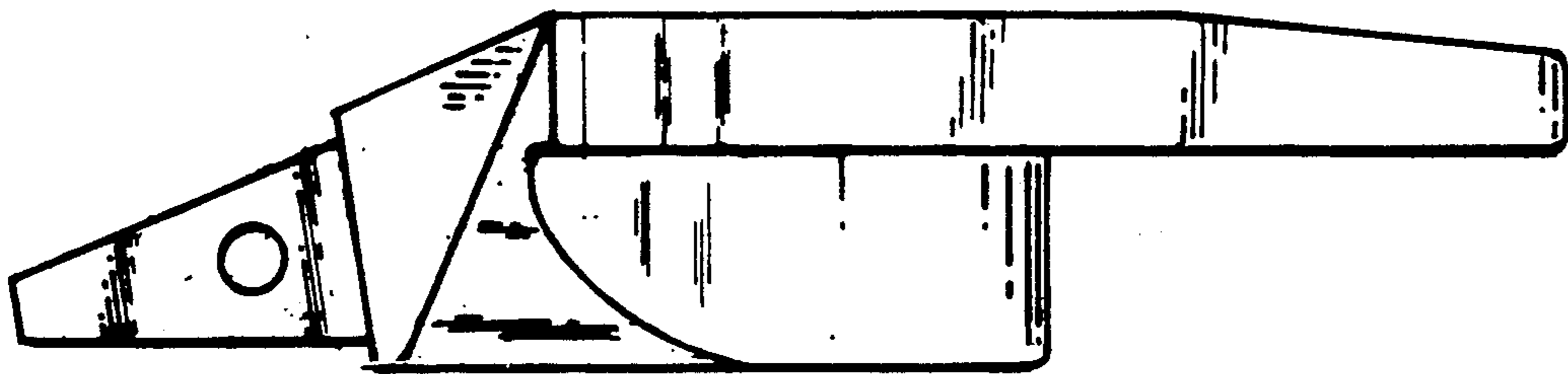


FIG. 6.

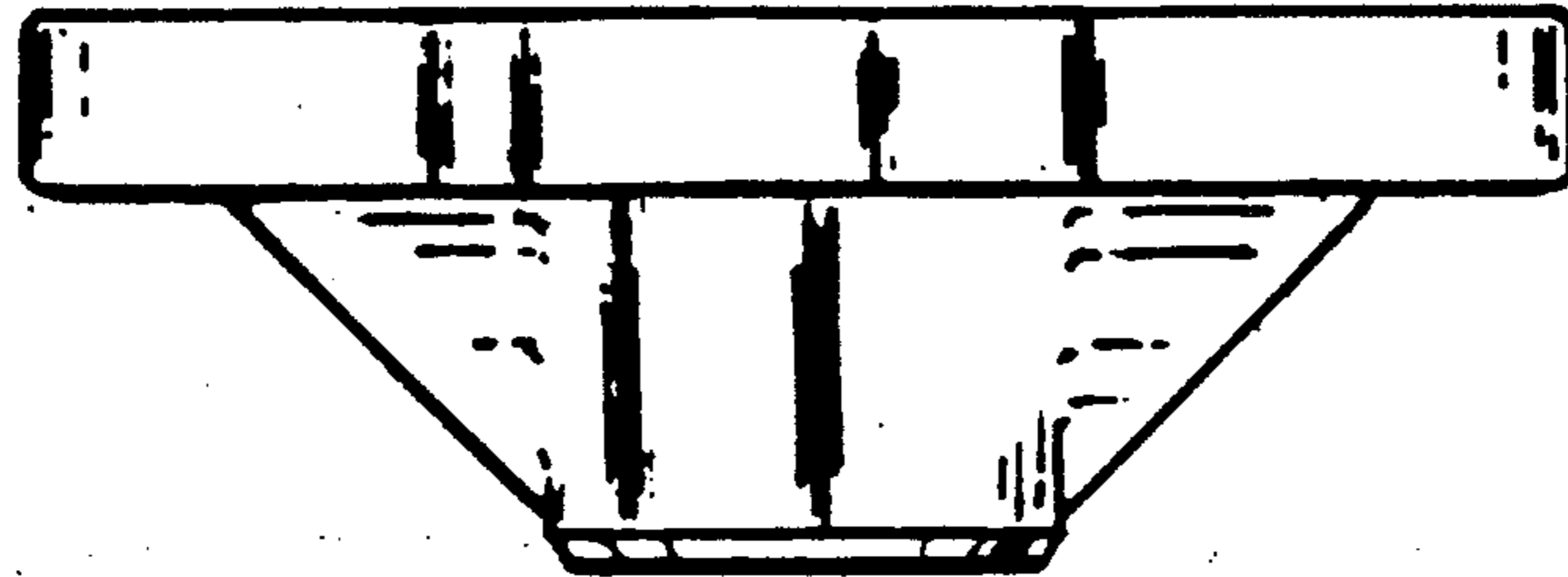


FIG. 7.

