



US00D334574S

United States Patent [19]

[11] Patent Number: **Des. 334,574**

Ross et al.

[45] Date of Patent: **** Apr. 6, 1993**

[54] **MACHINE FOR CUTTING THE TOPS OFF OF VEGETABLES**

[76] Inventors: **Earl J. Ross, 7472 S. Chestnut Ave.; Rickey L. Ross, 7828 S. Maple Ave., both of, Fresno, Calif. 93725**

[**] Term: **14 Years**

[21] Appl. No.: **602,877**

[22] Filed: **Oct. 24, 1990**

[52] U.S. Cl. **D15/27**

[58] Field of Search **D15/10, 11, 22-27; 56/12.9, 14.3, 15.9, 121.4-121.46, 500**

[56] **References Cited**

U.S. PATENT DOCUMENTS

D. 153,673	5/1949	Elliott	D15/27
D. 198,094	4/1964	Figley	D15/27
D. 221,991	9/1971	Jensen	D15/27
D. 228,011	7/1973	White et al.	D15/27
D. 242,914	1/1977	Kilburn et al.	D15/27
D. 253,057	10/1979	Fachini et al.	D15/26
1,347,733	7/1920	Davis	56/158
2,026,291	12/1935	Tirimacco	56/13.3
2,579,013	12/1951	Sampson	56/12.9
2,734,331	2/1956	Phillips	56/296

3,430,321	3/1969	Matthews	56/16.9
3,828,531	8/1974	Quick	56/12.9
4,747,260	3/1988	Petrash et al.	56/14.3
4,757,670	7/1988	Kinch et al.	56/121.42
4,783,951	11/1988	Richards et al.	56/12.9

FOREIGN PATENT DOCUMENTS

3111390	10/1982	Fed. Rep. of Germany	.
1380660	3/1988	U.S.S.R.	.

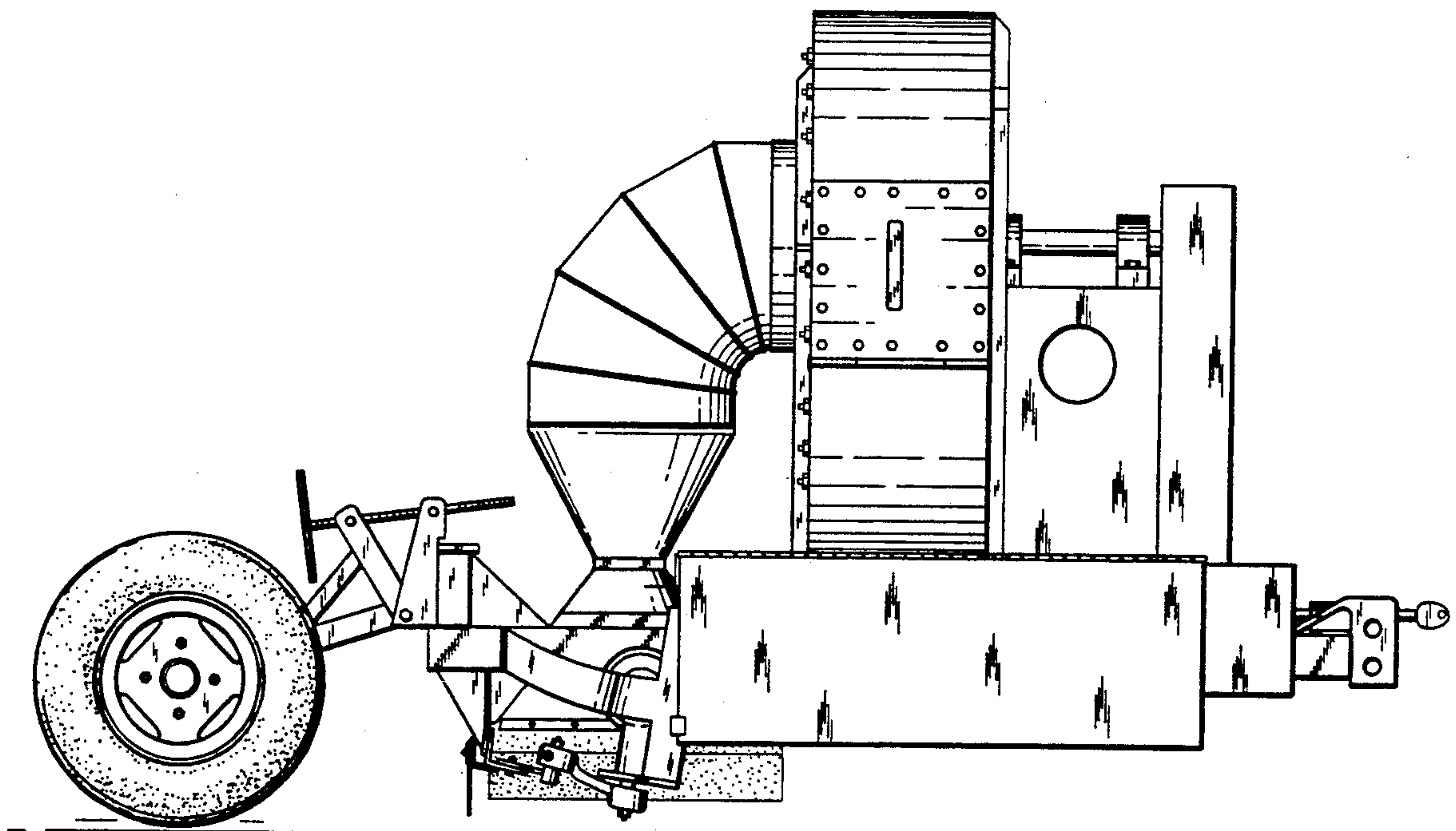
Primary Examiner—Bernard Ansher
Assistant Examiner—Sandra Morris
Attorney, Agent, or Firm—Knobbe, Martens, Olson & Bear

[57] **CLAIM**

The ornamental design for a machine for cutting the tops off of vegetables, as shown and described.

DESCRIPTION

FIG. 1 is a right side elevational view of a machine for cutting the tops off of vegetables, showing our new design;
FIG. 2 is a left side elevational view thereof;
FIG. 3 is a top plan view thereof;
FIG. 4 is a bottom plan view thereof;
FIG. 5 is a rear elevational view thereof; and,
FIG. 6 is a front elevational view thereof.



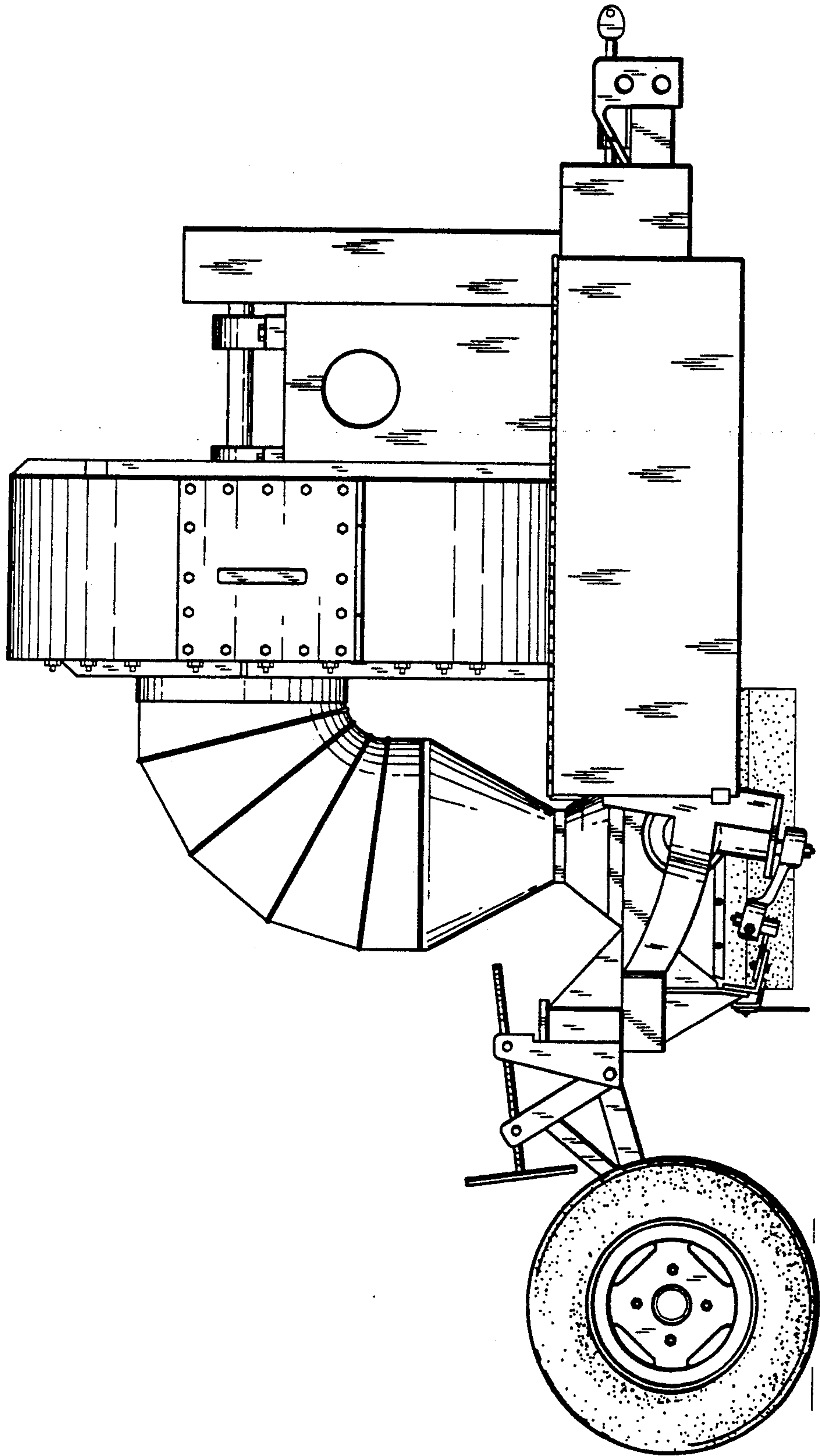


Fig. 1

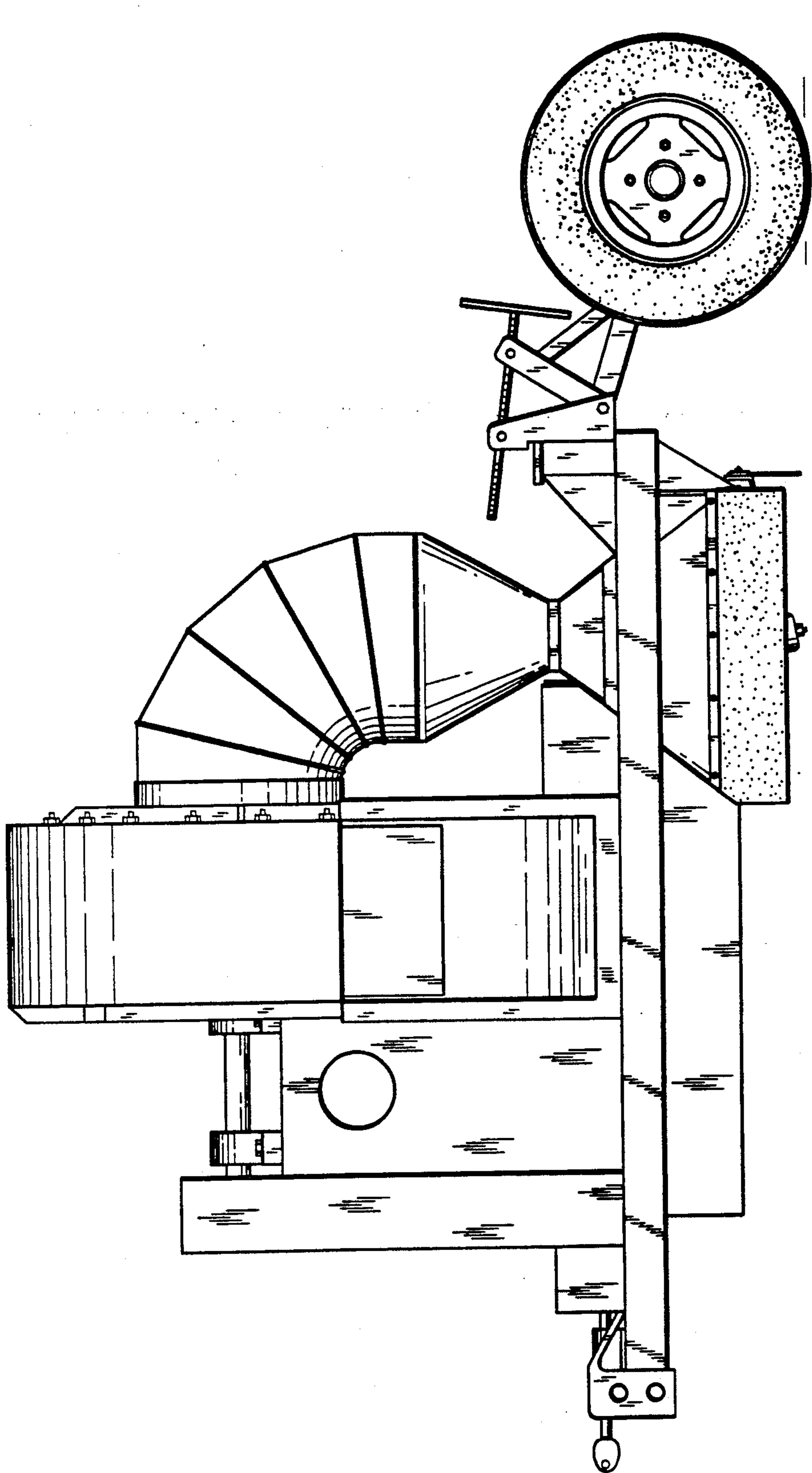


Fig. 2

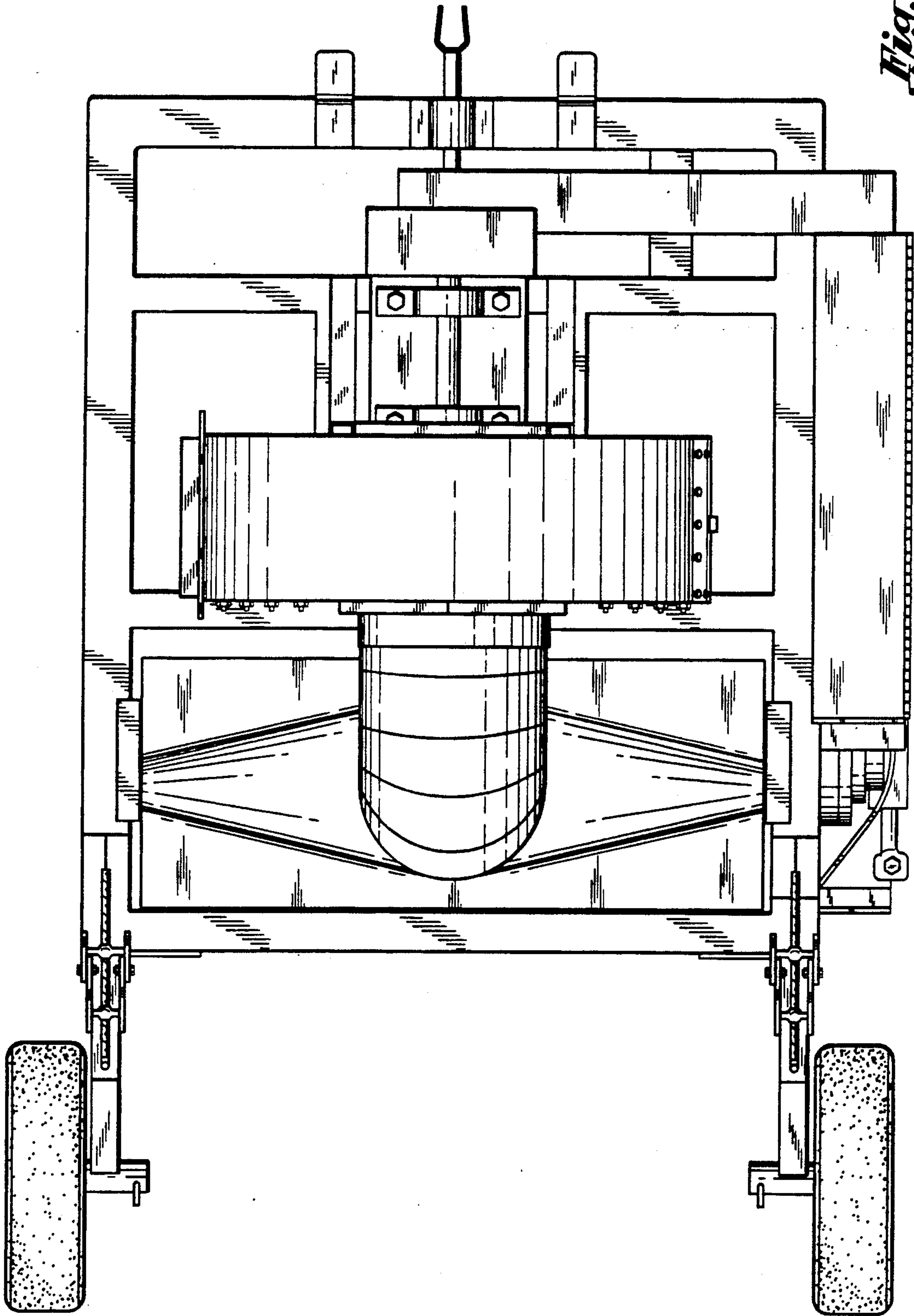


Fig. 3

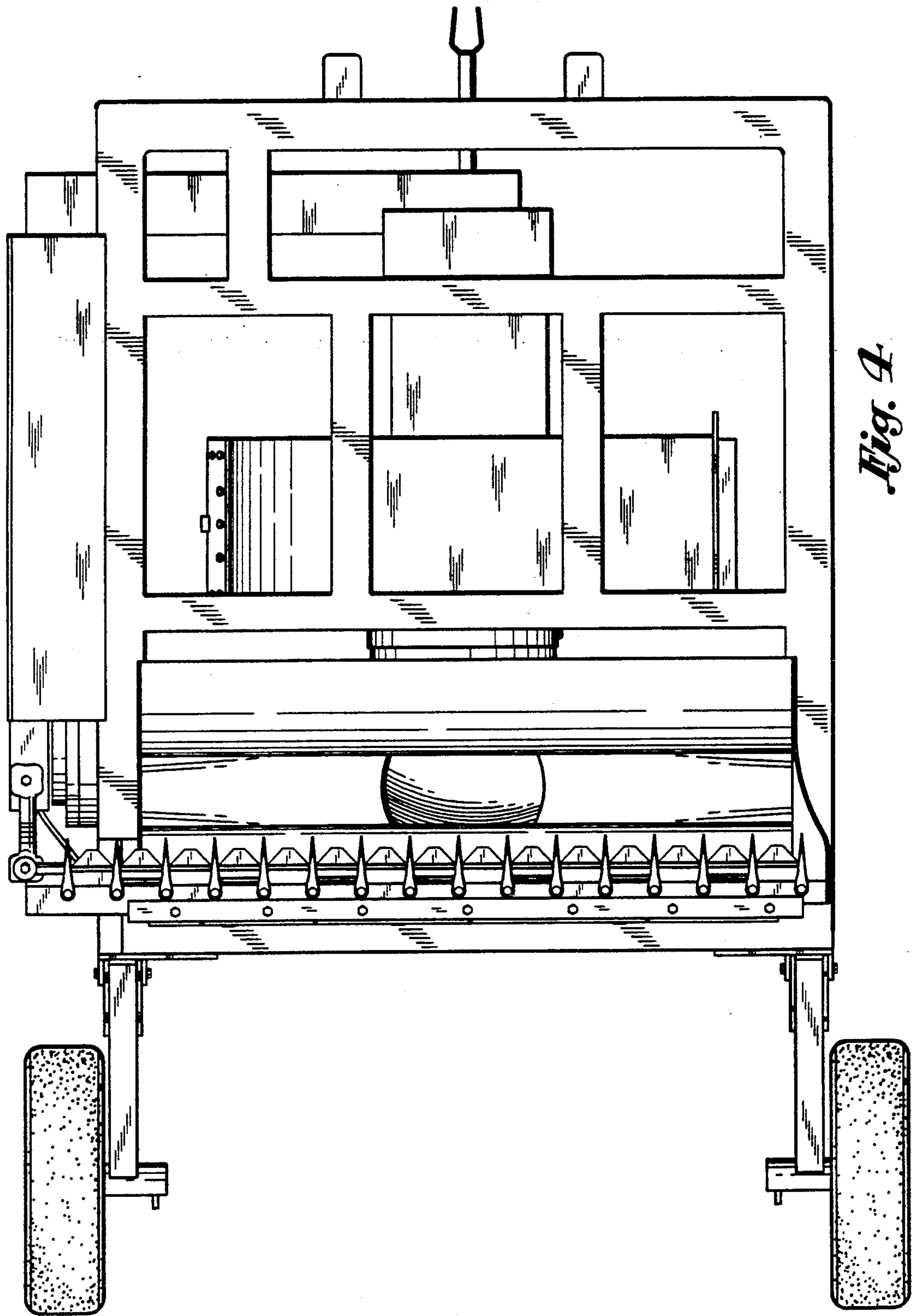


Fig. A

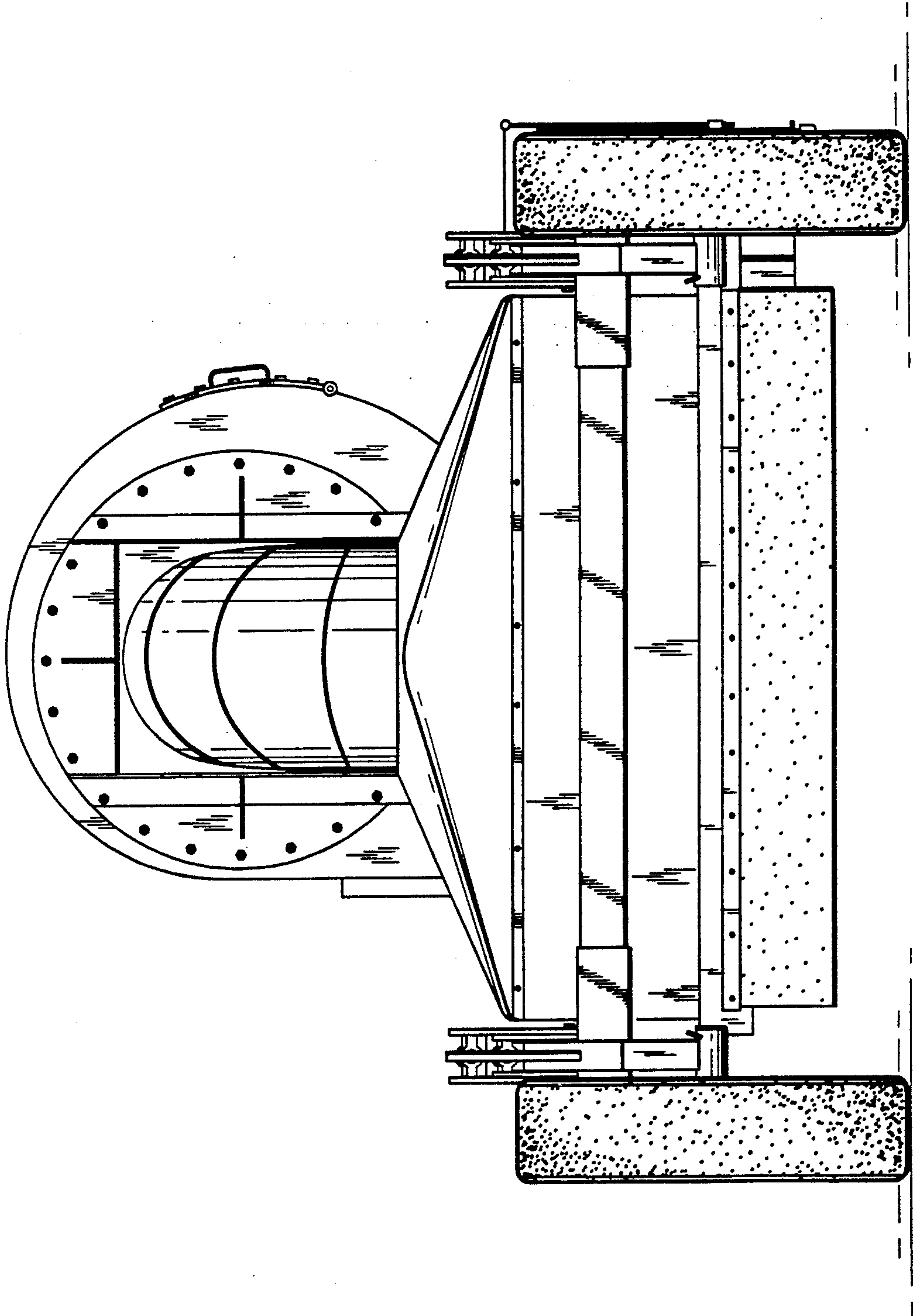


Fig. 5

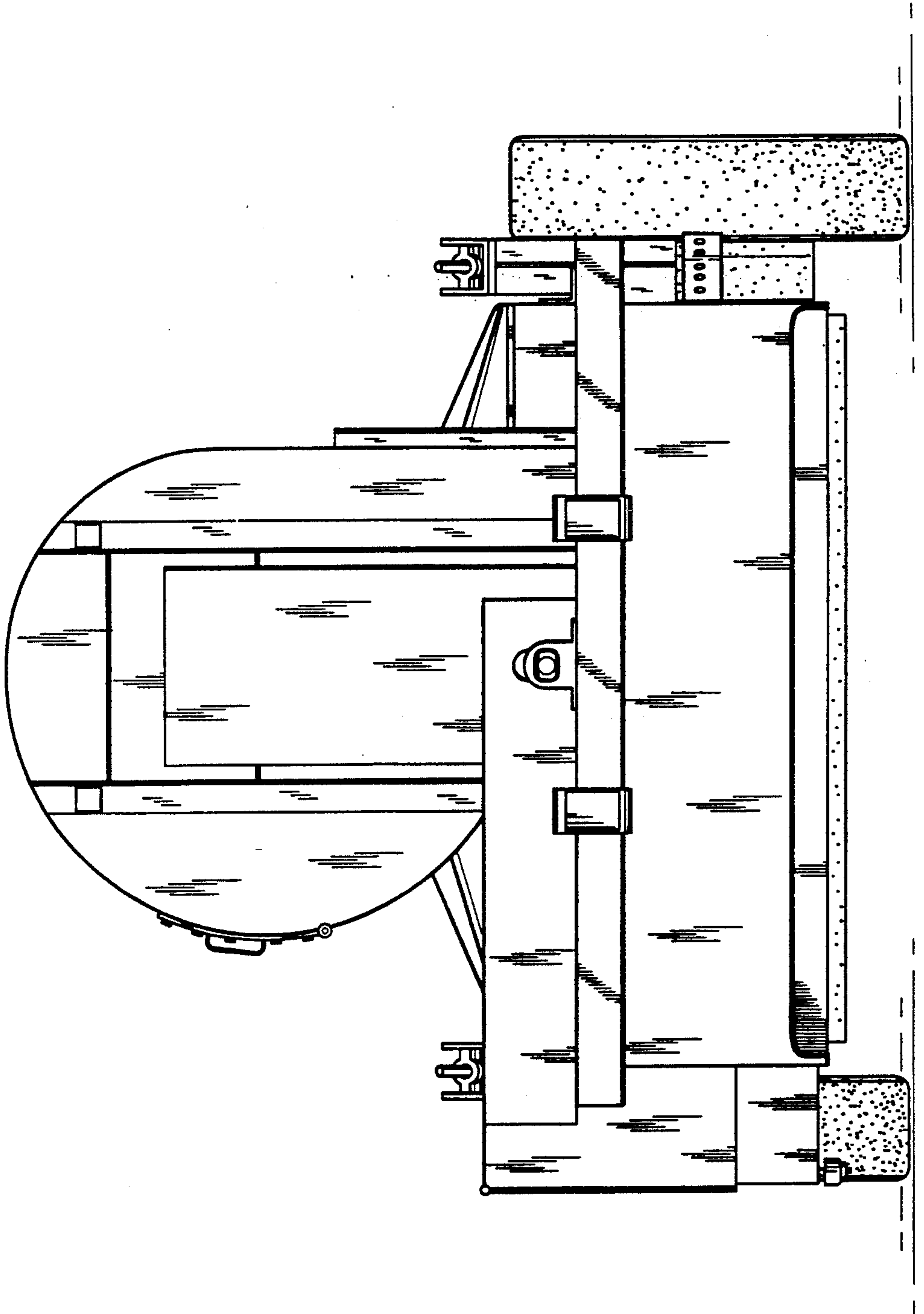


Fig. 6