



US00D334570S

United States Patent [19]

[11] Patent Number: Des. 334,570

Wingard

[45] Date of Patent: ** Apr. 6, 1993

[54] VEHICULAR ANTENNA BASE
 [76] Inventor: Jefferson C. Wingard, 102 Oak Knoll Ter., Anderson, S.C. 29625
 [**] Term: 14 Years
 [21] Appl. No.: 576,723
 [22] Filed: Sep. 4, 1990
 [52] U.S. Cl. D14/238
 [58] Field of Search D14/230-238, D14/124, 217, 219; 343/711-713, 715, 872, 900, 906, 741, 748, 882, 720, 808, 805, 878, 795, 912, 873, 745, 749, 901, 903

D. 303,262 9/1989 Sallus D14/230
 2,343,306 3/1944 Lear 343/872 X

Primary Examiner—Theodore M. Shooman
 Attorney, Agent, or Firm—Cort Flint

[57] CLAIM

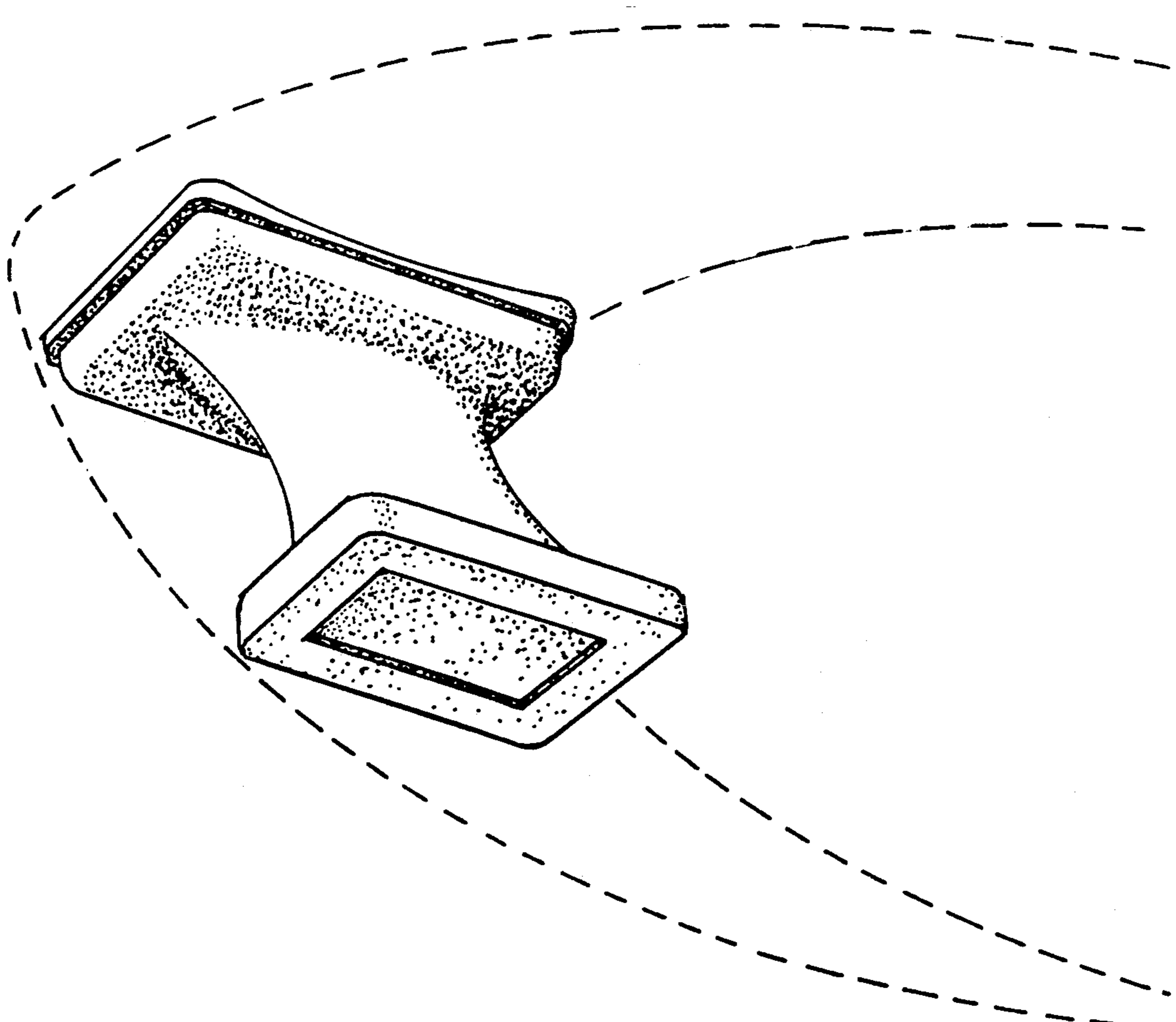
The ornamental design for a vehicular antenna box, as shown and described.

DESCRIPTION

FIG. 1 is a front, bottom and right side perspective view of a vehicular antenna base showing my new design; FIG. 2 is a right side elevational view thereof; FIG. 3 is a right side and rear perspective view thereof; FIG. 4 is a top plan view thereof; and, FIG. 5 is a front elevational view thereof.

The broken line showing of the antenna is for illustrative purposes only and forms no part of the claimed design.

[56] References Cited
 U.S. PATENT DOCUMENTS
 D. 212,002 8/1968 Rogers D14/238
 D. 245,778 9/1977 Langner D14/230
 D. 300,531 4/1989 Higgins D14/230



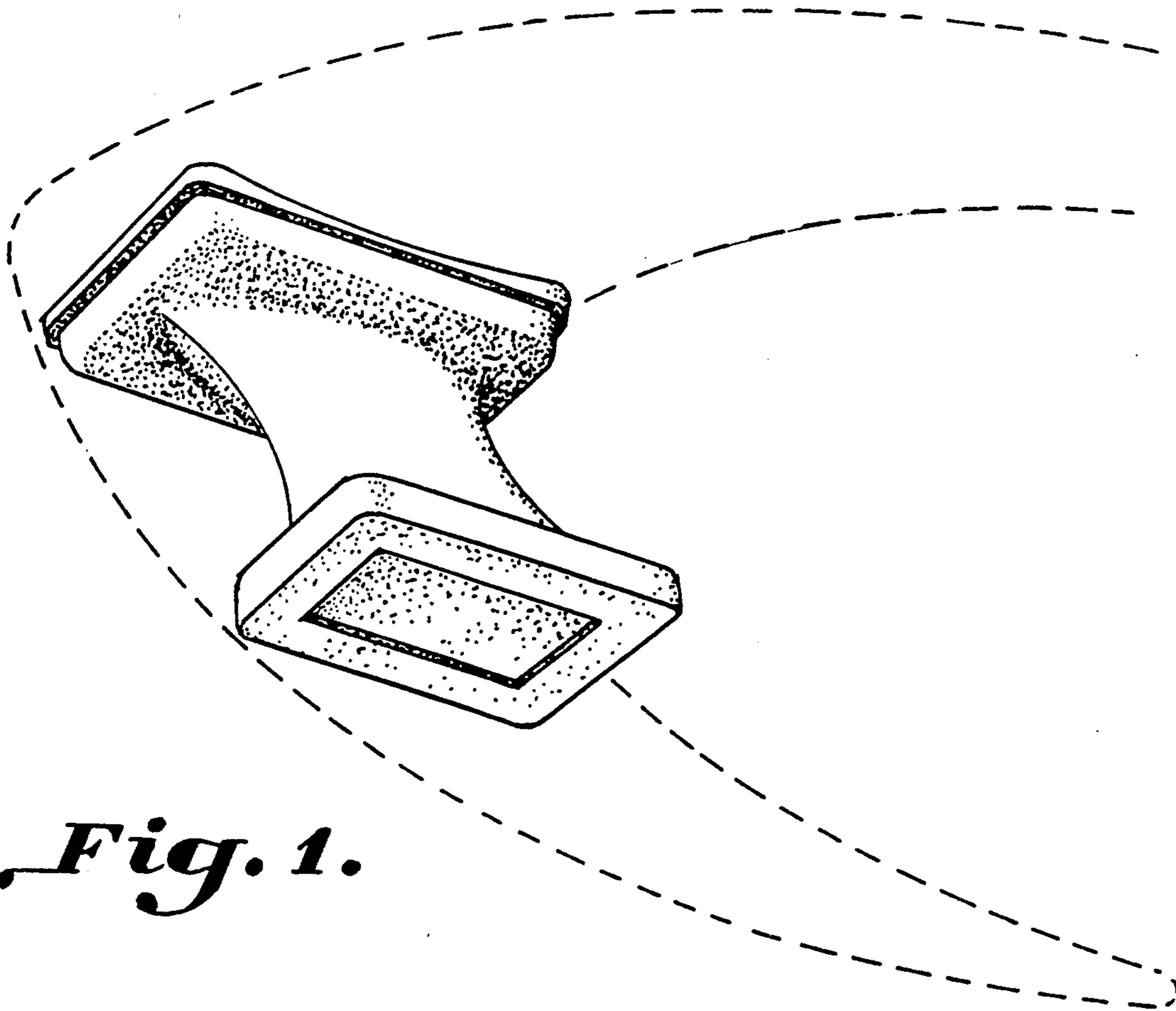


Fig. 1.

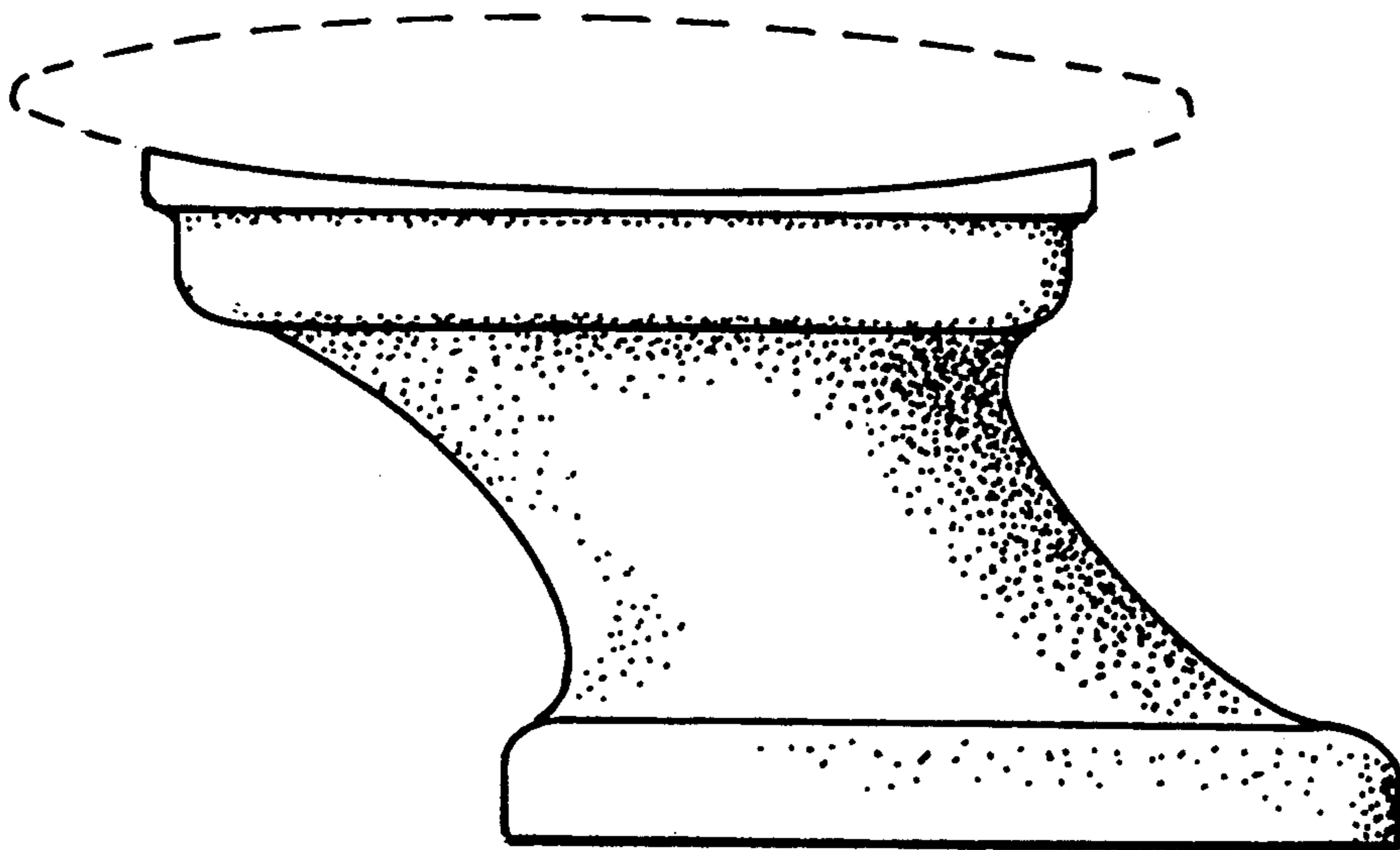


Fig. 2.

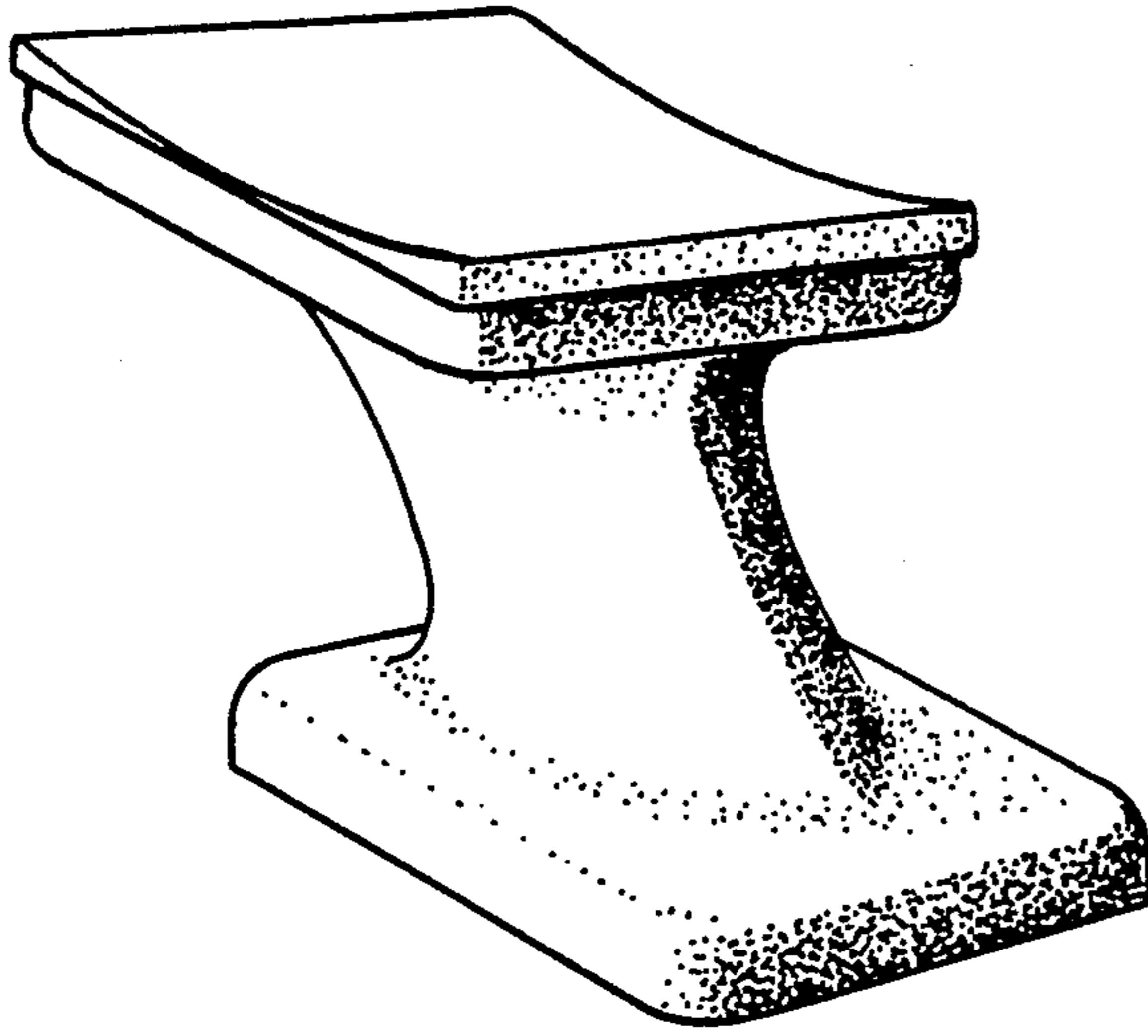


Fig. 3.

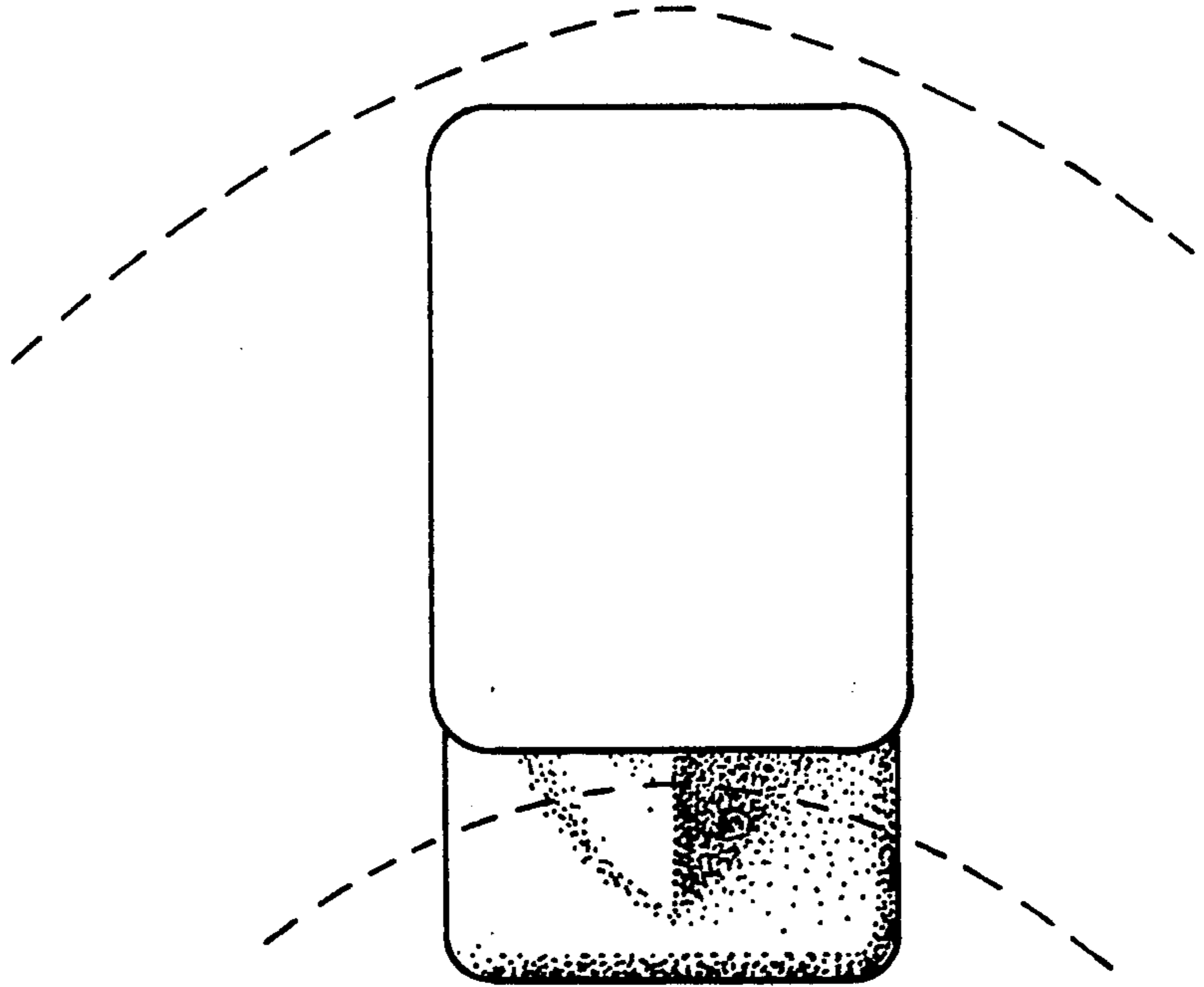


Fig. 4.

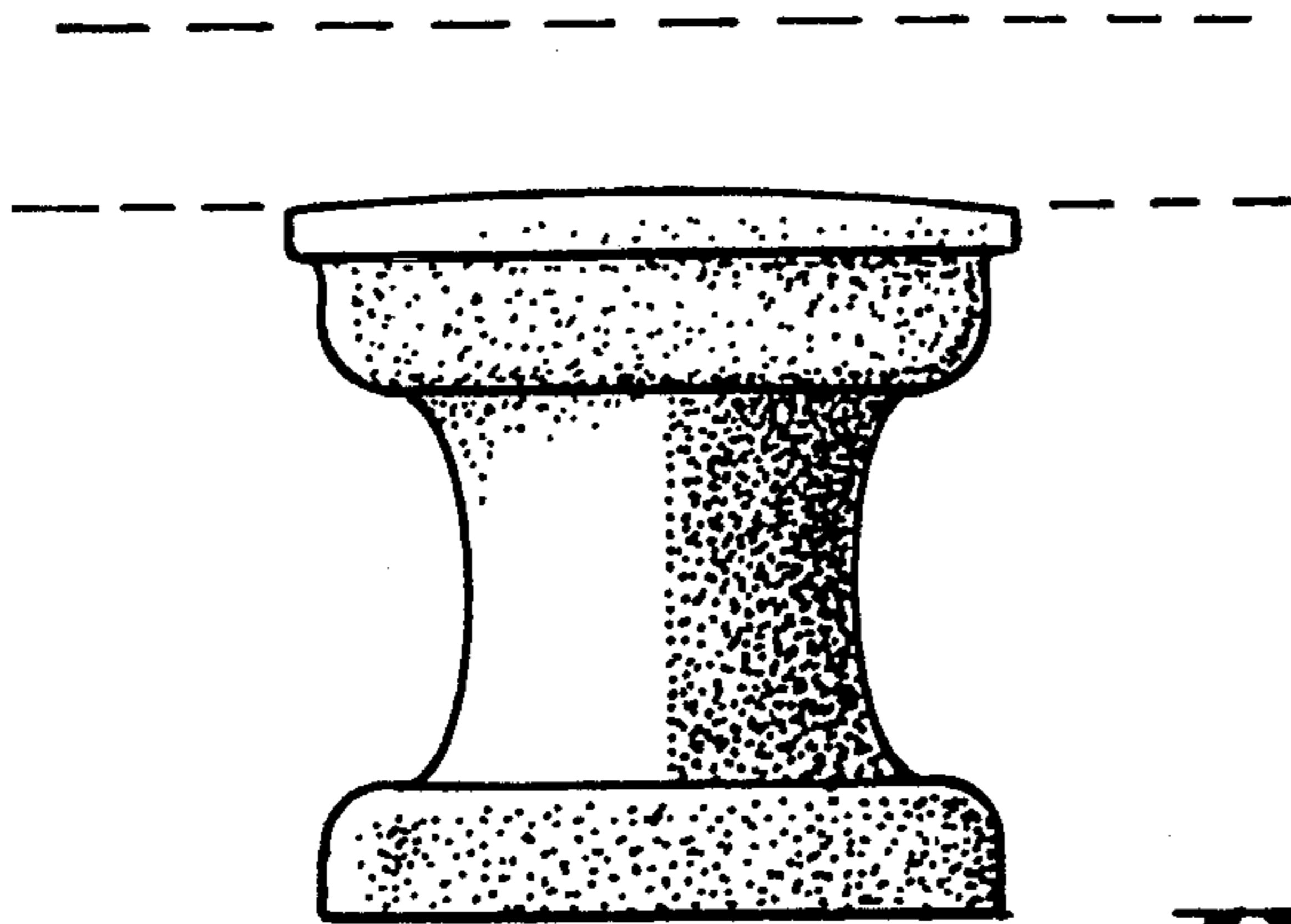


Fig. 5.