



US00D334567S

United States Patent [19]

[11] Patent Number: **Des. 334,567**

Someya et al.

[45] Date of Patent: **** Apr. 6, 1993**

[54] **ELECTRONIC FILING SYSTEM WITH FACSIMILE TRANSMITTER/RECEIVER**

[75] Inventors: **Tamaki Someya, Urawa; Yuji Suzuki; Makoto Sugita**, both of Tokyo, all of Japan

[73] Assignee: **Ricoh Company, Ltd.**, Tokyo, Japan

[**] Term: **14 Years**

[21] Appl. No.: **600,971**

[22] Filed: **Oct. 22, 1990**

[30] **Foreign Application Priority Data**

Apr. 20, 1990 [JP] Japan 2-13637

[52] U.S. Cl. **D14/118; D14/101; D14/106**

[58] Field of Search **D14/118, 124, 299, 104, D14/100, 102, 101, 106, 107; D18/36, 37; 358/400, 401**

[56] **References Cited**

U.S. PATENT DOCUMENTS

- D. 304,184 10/1989 Watanabe D14/118
- D. 312,253 11/1990 Yoshihara D14/118
- D. 317,757 6/1991 Yokoi et al. D14/101
- D. 323,156 1/1992 Nishida D14/101
- D. 330,197 10/1992 Kajita D14/106

Primary Examiner—Theodore M. Shooman
Attorney, Agent, or Firm—Oblon, Spivak, McClelland, Maier & Neustadt

[57] **CLAIM**

The ornamental design for electronic filing system with facsimile transmitter/receiver, as shown and described.

DESCRIPTION

FIG. 1 is a top, front and right side perspective view of an electronic filing system with facsimile transmitter/receiver showing our new design; and, FIG. 2 is a bottom, rear and left side perspective view thereof.

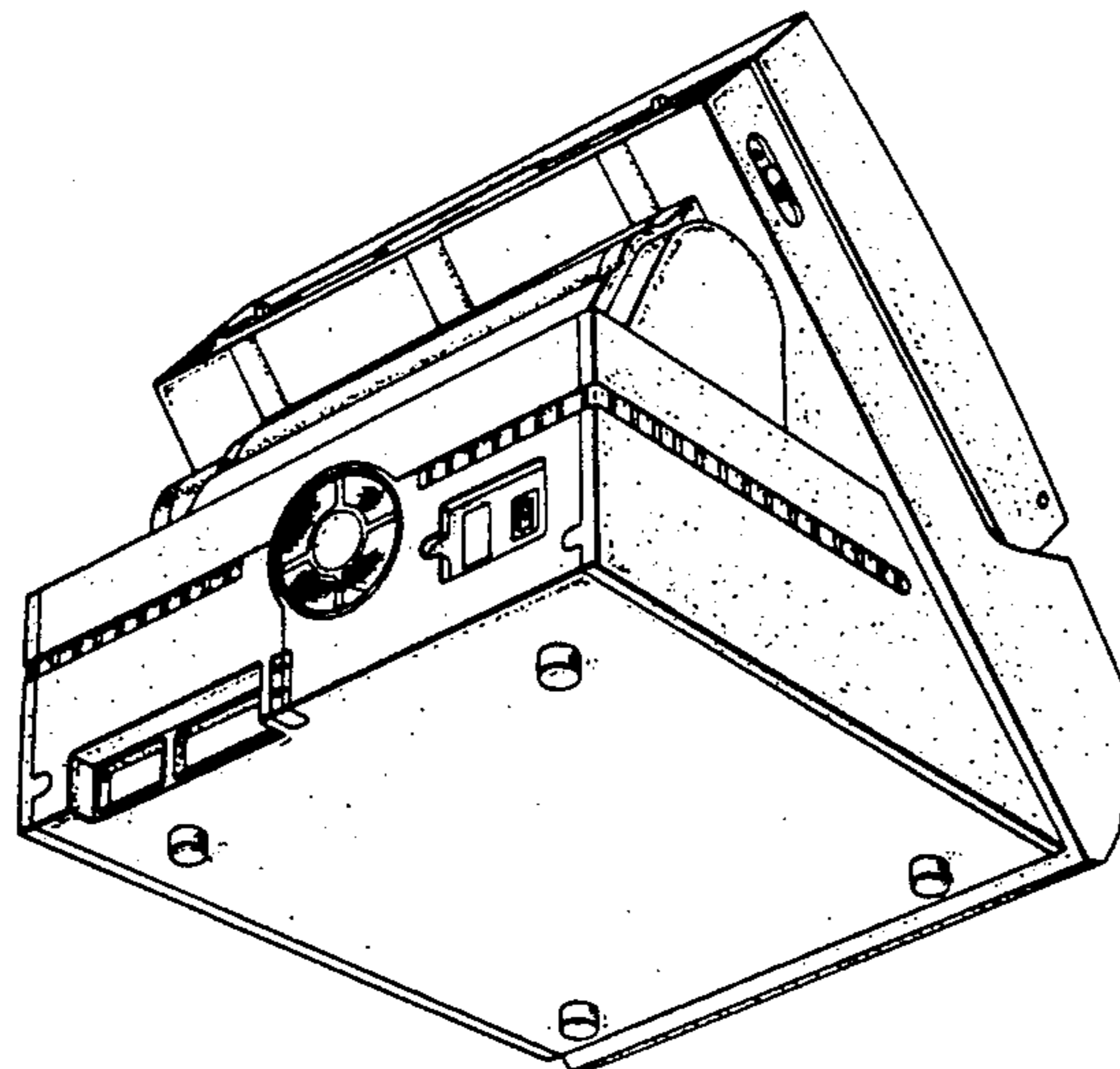
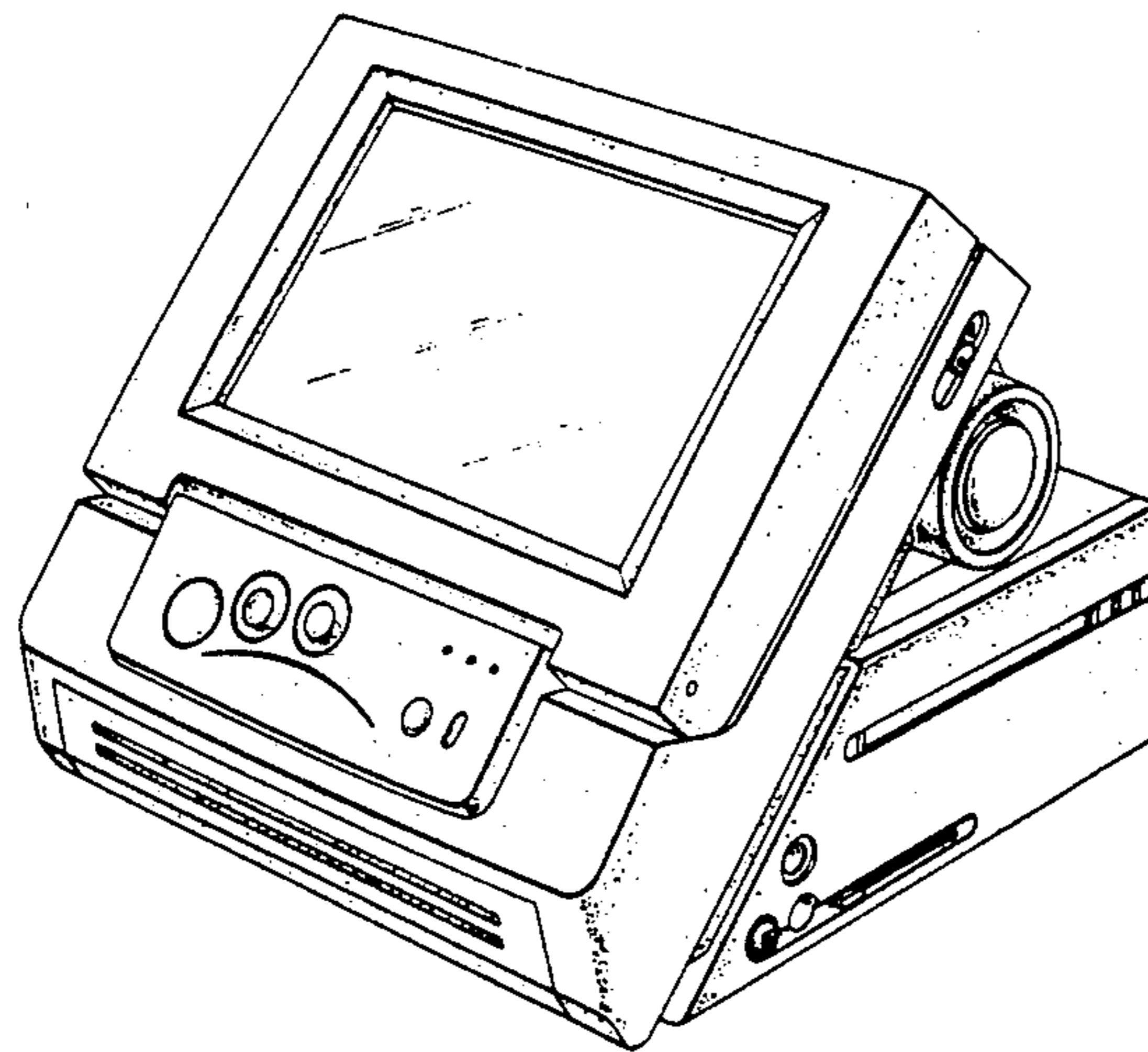


FIG. 1

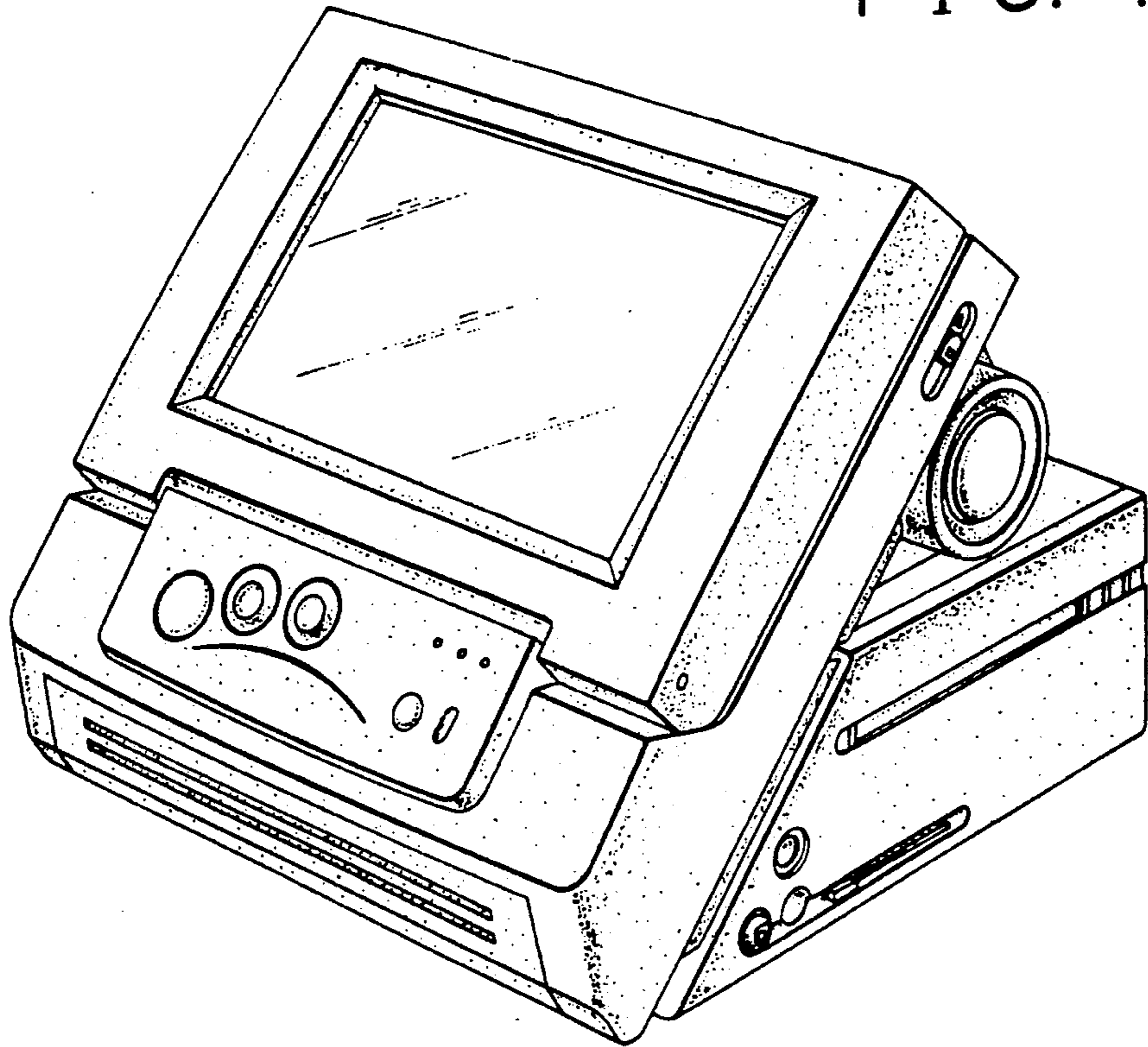


FIG. 2

