



US00D334558S

United States Patent [19]

[11] Patent Number: **Des. 334,558**

Iino

[45] Date of Patent: **** Apr. 6, 1993**

[54] **ELECTRONIC COMPUTER**

[75] Inventor: **Masaaki Iino, Yokohama, Japan**

[73] Assignee: **Kabushkik Kaisha Toshiba, Kanagawa, Japan**

[**] Term: **14 Years**

[21] Appl. No.: **603,196**

[22] Filed: **Oct. 25, 1990**

[30] **Foreign Application Priority Data**

Apr. 25, 1990 [JP] Japan 2-13941

[52] U.S. Cl. **D14/106**

[58] Field of Search D14/100, 101, 106, 113, D14/115; D18/1, 7; 235/145 A, 145 R; 340/700, 706; 341/22, 23; 364/708, 709; 361/390, 394

[56] **References Cited**

U.S. PATENT DOCUMENTS

- D. 243,250 2/1977 Hazama D18/1
- D.269,529 6/1983 Luen D19/22
- D. 284,966 8/1986 Larkins D14/100
- D. 290,609 6/1987 Harlan et al. D14/100
- D. 298,623 11/1988 Yubisui et al. D14/100
- D. 303,250 9/1989 Ver Nooy et al. D14/106
- D. 303,523 9/1989 Shiozawa et al. D14/106
- D. 303,790 10/1989 Kato et al. D14/106
- D. 304,930 12/1989 Hongo et al. D14/100
- D. 305,883 2/1990 Burton D14/106
- D. 306,285 2/1990 Yu D14/106
- D. 307,581 5/1990 Ooshima D14/106
- D. 308,050 5/1990 Sugano et al. D14/106
- D. 308,051 5/1990 Sakai D14/106
- D. 308,516 6/1990 Takach, Jr. et al. D14/106
- D. 308,860 6/1990 Tsukada et al. D14/106
- D. 308,861 6/1990 Tsukada et al. D14/106
- D. 309,603 7/1990 Mizusugi et al. D14/106
- D. 309,749 8/1990 Ido D18/7
- D. 310,353 9/1990 Sugano et al. D14/106
- D. 310,828 9/1990 Grundstrom et al. D14/106
- D. 311,527 10/1990 Fujii et al. D14/106
- D. 311,528 10/1990 Sugano et al. D14/106
- D. 311,741 10/1990 Sakai D14/106
- D. 311,906 11/1990 Iino D14/106
- D. 312,626 12/1990 Lam D14/106
- D. 312,822 12/1990 Watabe et al. D14/106
- D. 313,978 1/1991 Miyakuni D14/106

- D. 314,558 2/1991 Iino D14/106
- D. 316,706 5/1991 Imamura et al. D14/106
- D. 316,852 5/1991 Sai et al. D14/106
- D. 317,442 6/1991 Gintz et al. D14/106
- D. 317,444 6/1991 Mizusugi et al. D14/106
- D. 319,819 9/1991 Kawaguchi D14/106
- D. 322,246 12/1991 Izaki D14/100
- D. 323,156 1/1992 Nishida D14/101
- D. 324,035 2/1992 Izaki D14/100
- D. 324,036 2/1992 Wakasa D14/101
- D. 324,038 2/1992 Izaki D14/106
- 4,703,160 10/1987 Narishima et al. 235/1

FOREIGN PATENT DOCUMENTS

- M8803410 12/1989 Fed. Rep. of Germany .
- M8803411 12/1989 Fed. Rep. of Germany .
- M8908516 7/1990 Fed. Rep. of Germany .
- 686654 9/1986 Japan .
- 747991 11/1988 Japan .
- 761927 5/1989 Japan .
- 761927(1) 2/1990 Japan .
- 761927(3) 5/1990 Japan .
- 761927(2) 5/1990 Japan .
- 761927(4) 6/1990 Japan .
- 790454 6/1990 Japan D14/106
- 85031 10/1988 Rep. of Korea .
- 94470 9/1989 Rep. of Korea .
- 97355 12/1989 Rep. of Korea .
- 100917 4/1990 Rep. of Korea .

Primary Examiner—Wallace R. Burke
Assistant Examiner—Freda S. Nunn
Attorney, Agent, or Firm—Banner, Birch, McKie & Beckett

[57] **CLAIM**

The ornamental design for an electronic computer, as shown and described.

DESCRIPTION

FIG. 1 is a top, front and right side perspective view of an electronic computer showing my new design; FIG. 2 is a front elevational view thereof; FIG. 3 is a rear elevational view thereof; FIG. 4 is a right side elevational view thereof; FIG. 5 is a left side elevational view thereof; FIG. 6 is a top plan view thereof; FIG. 7 is a bottom plan view thereof; and, FIG. 8 is a top, front and right side perspective view thereof in closed position.

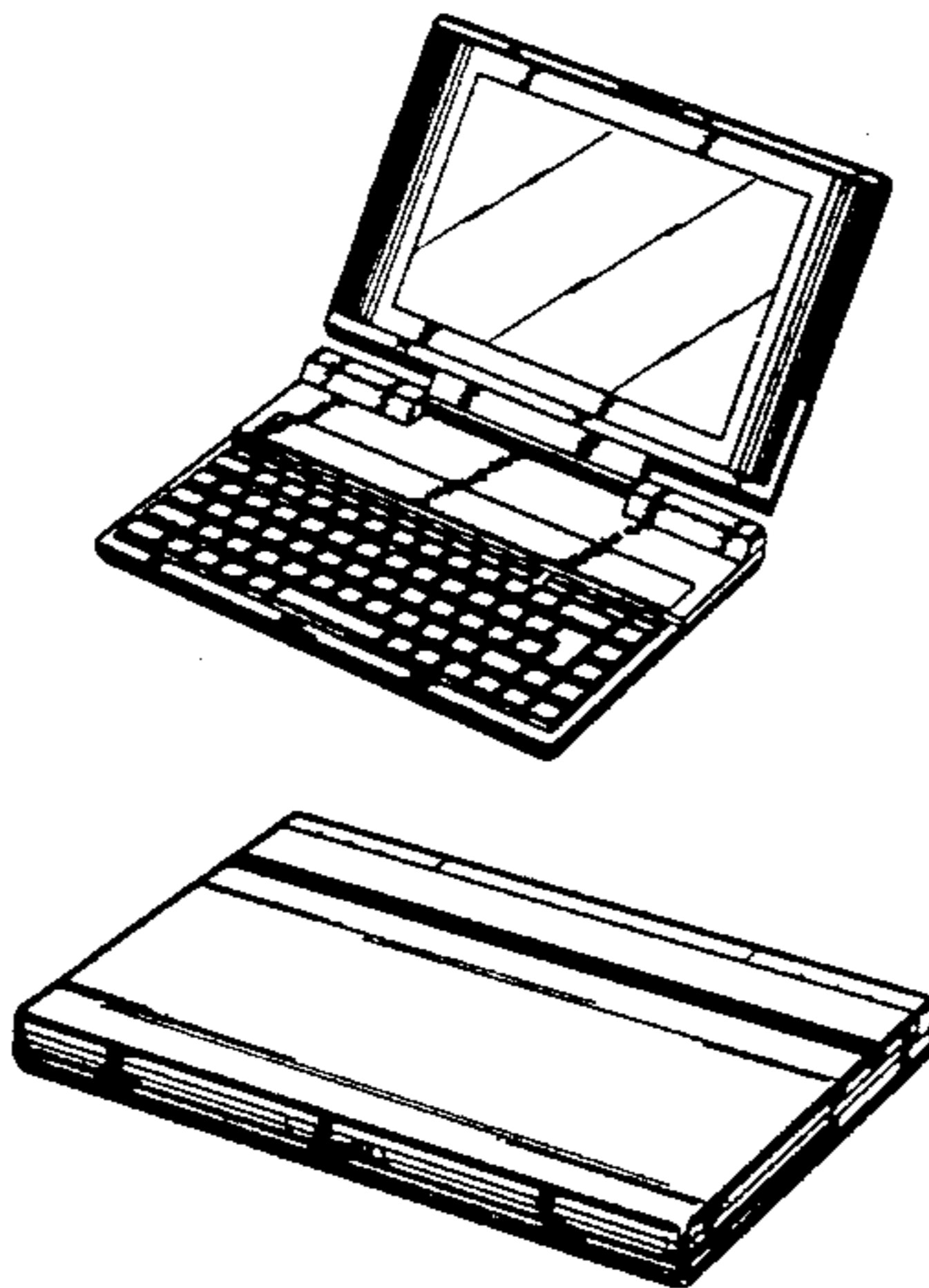


FIG. 1

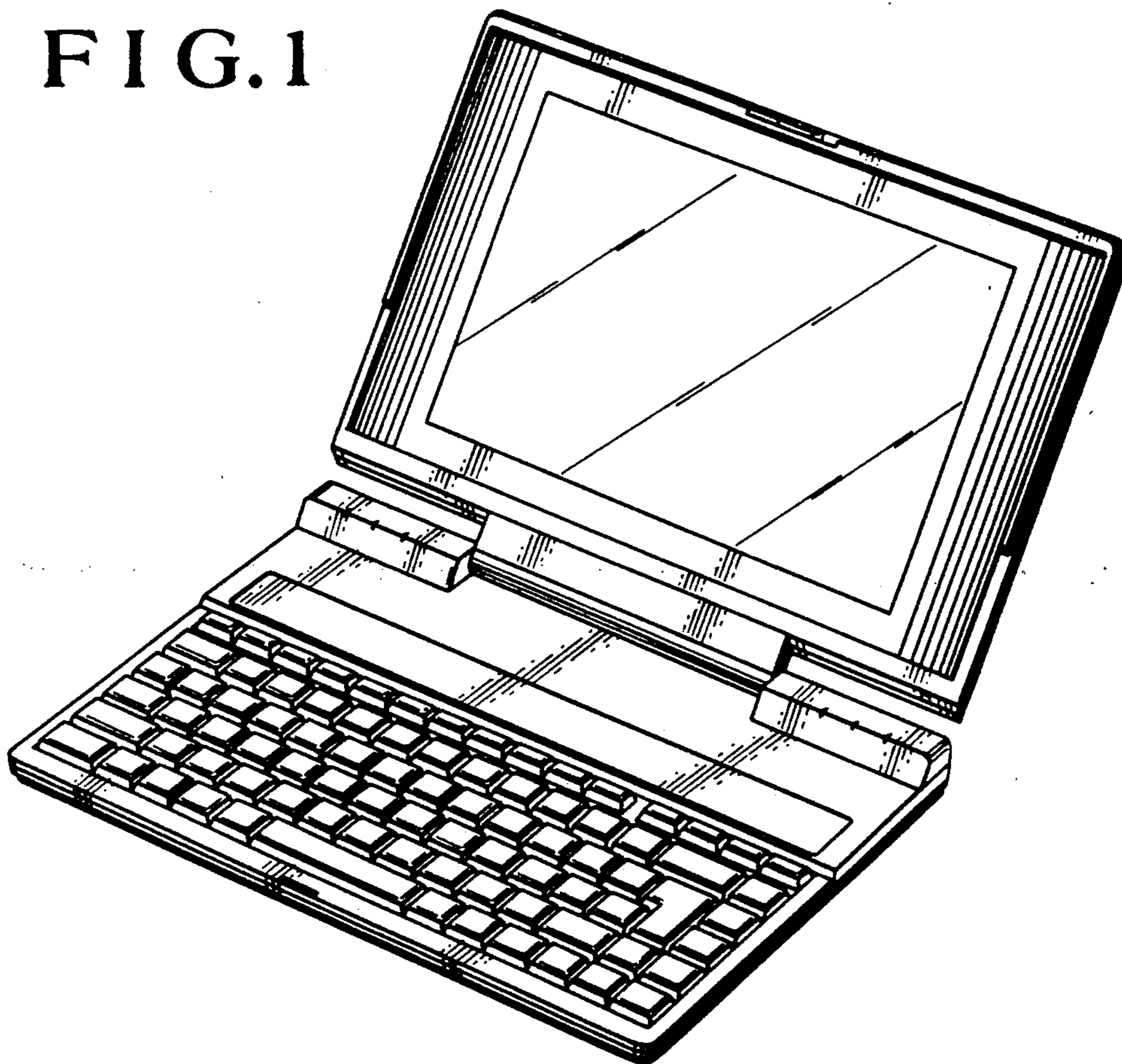


FIG. 2

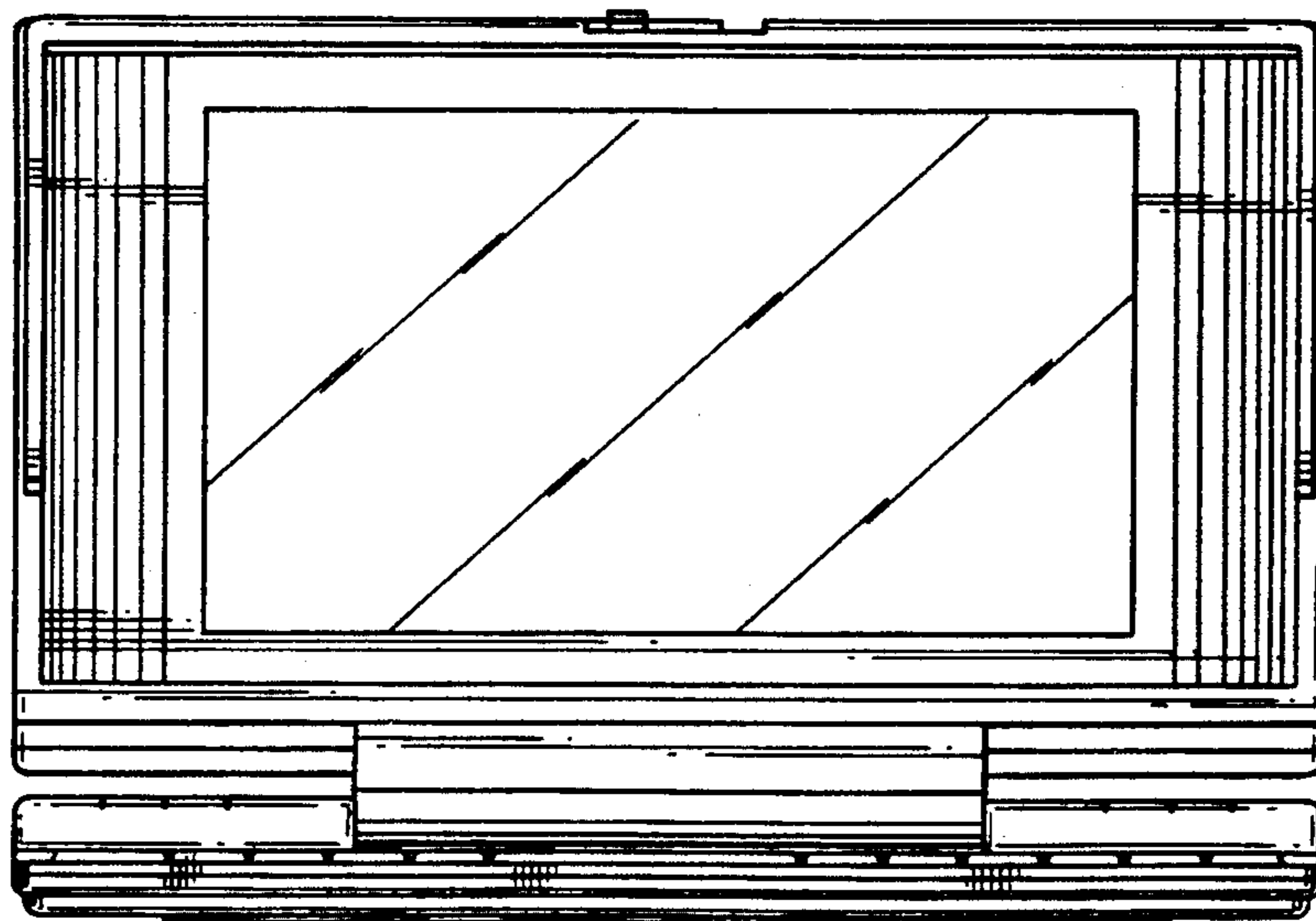


FIG.3

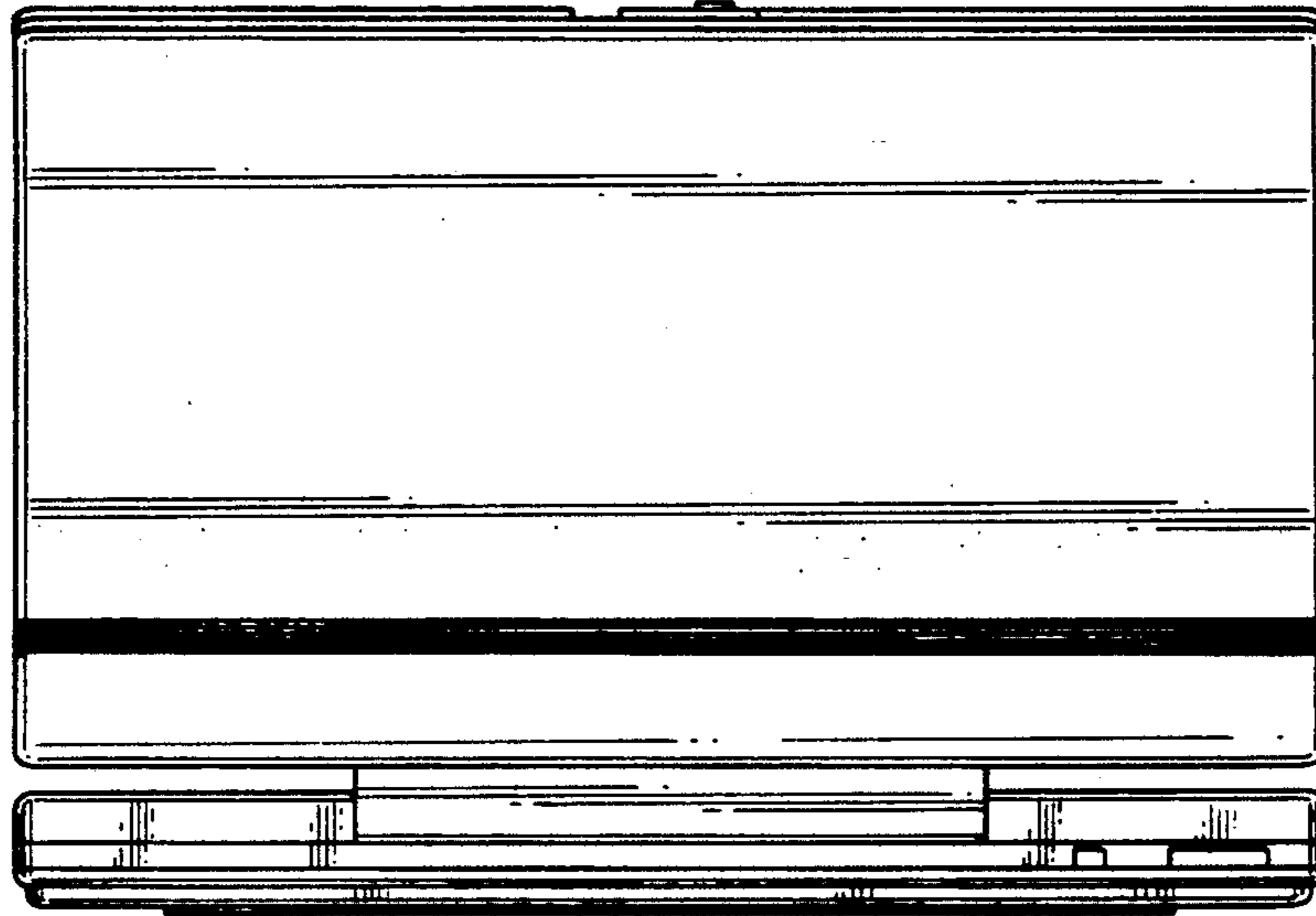
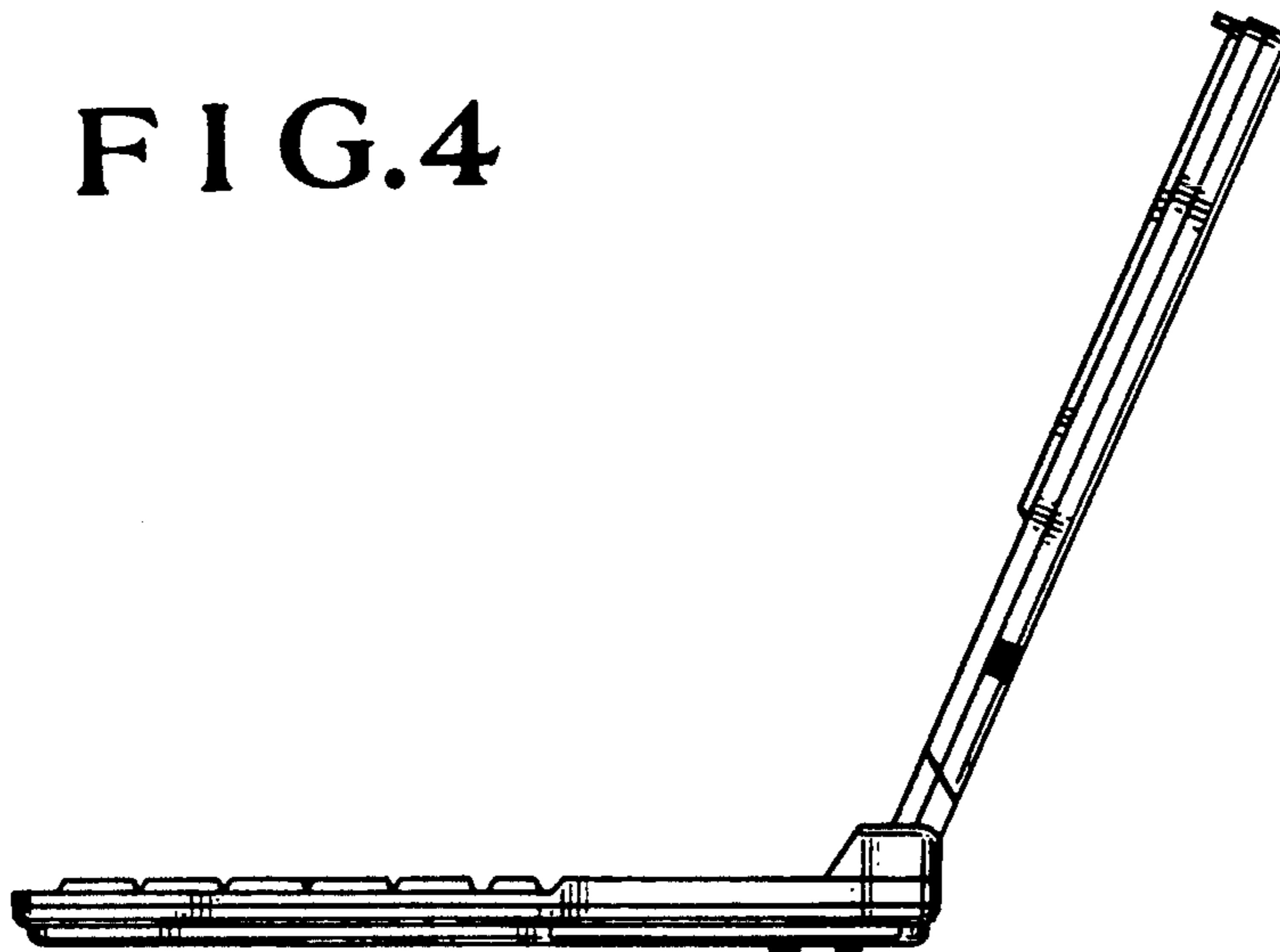


FIG.4



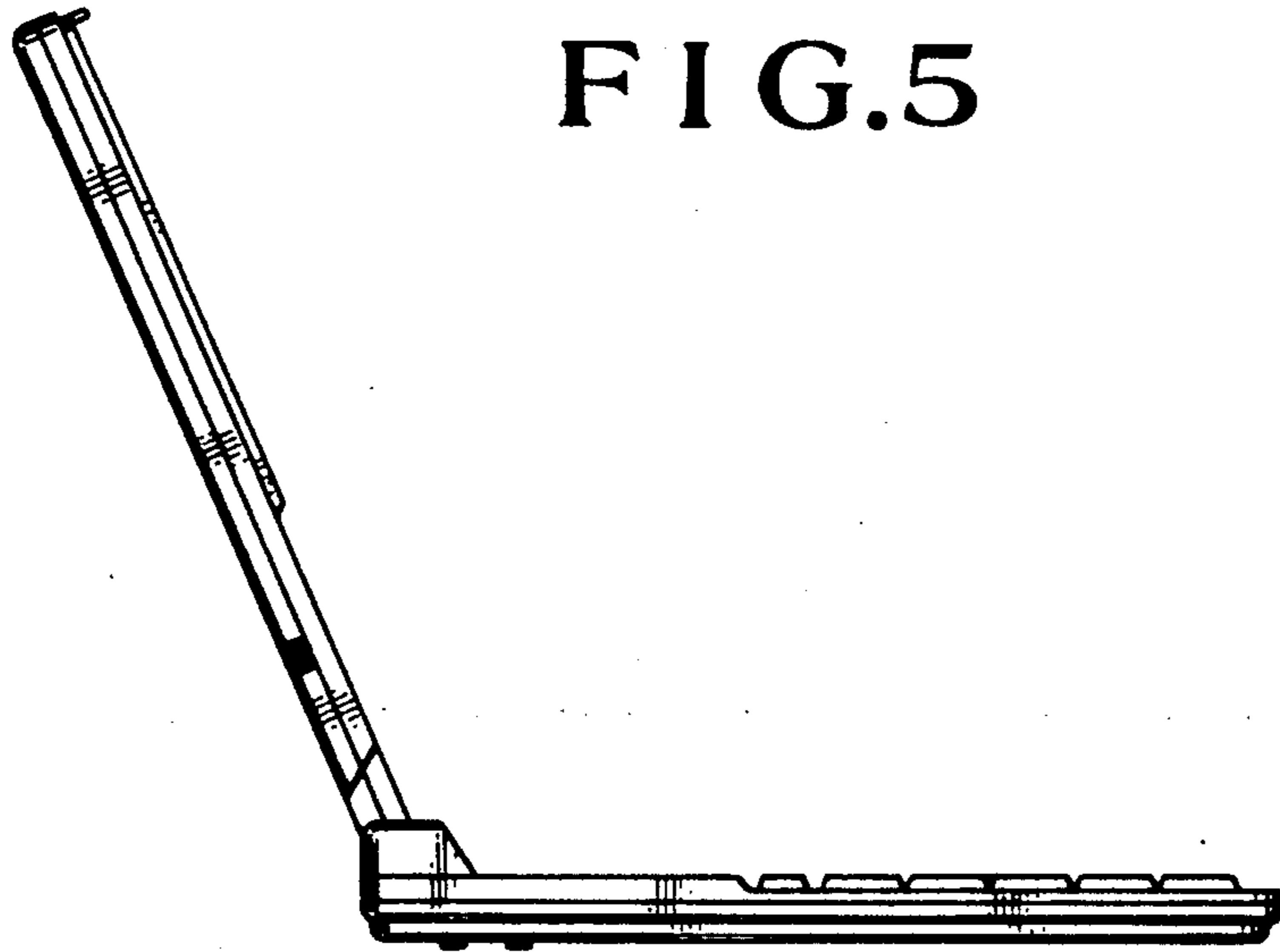


FIG. 5

FIG. 6

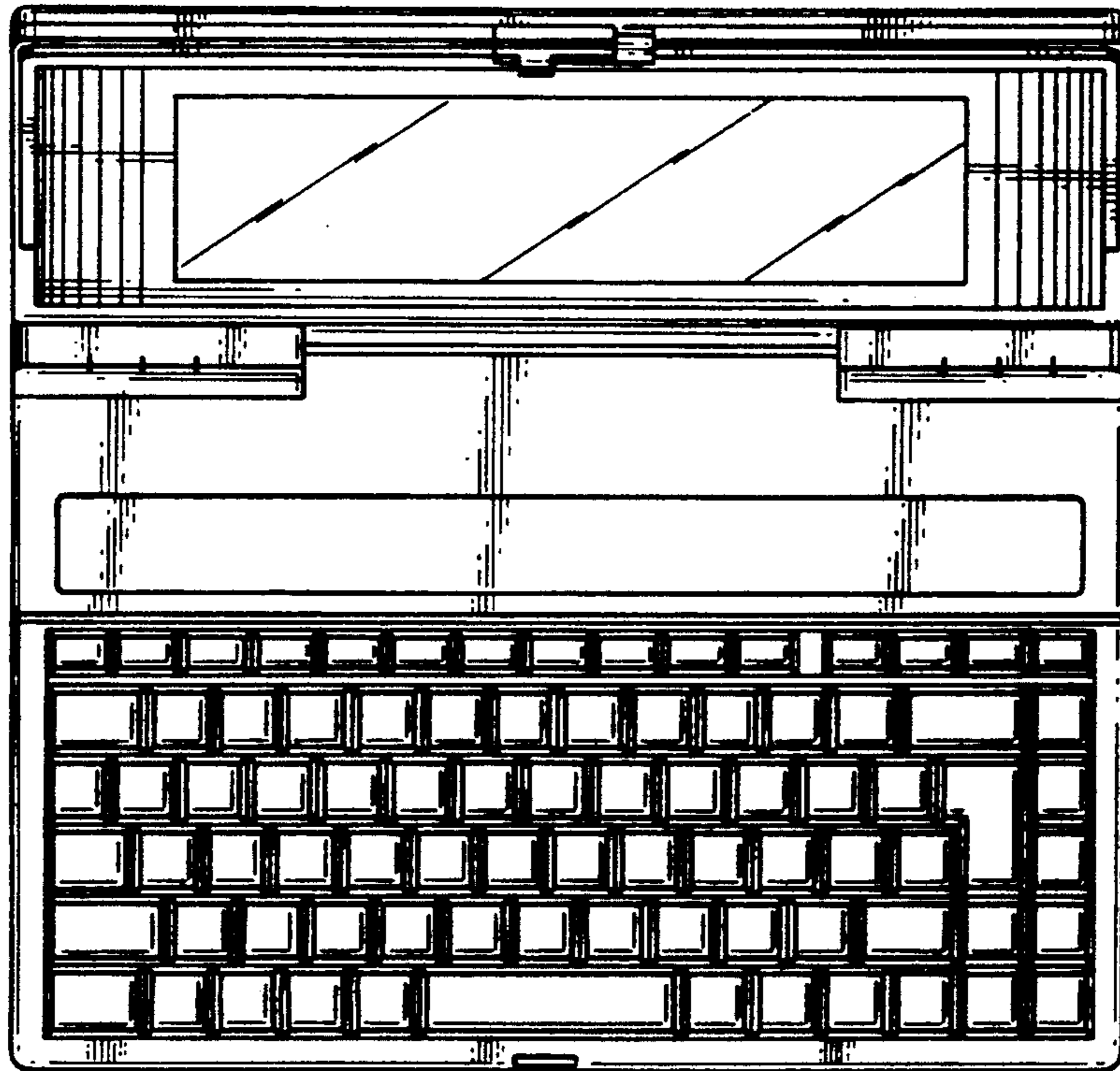


FIG.7

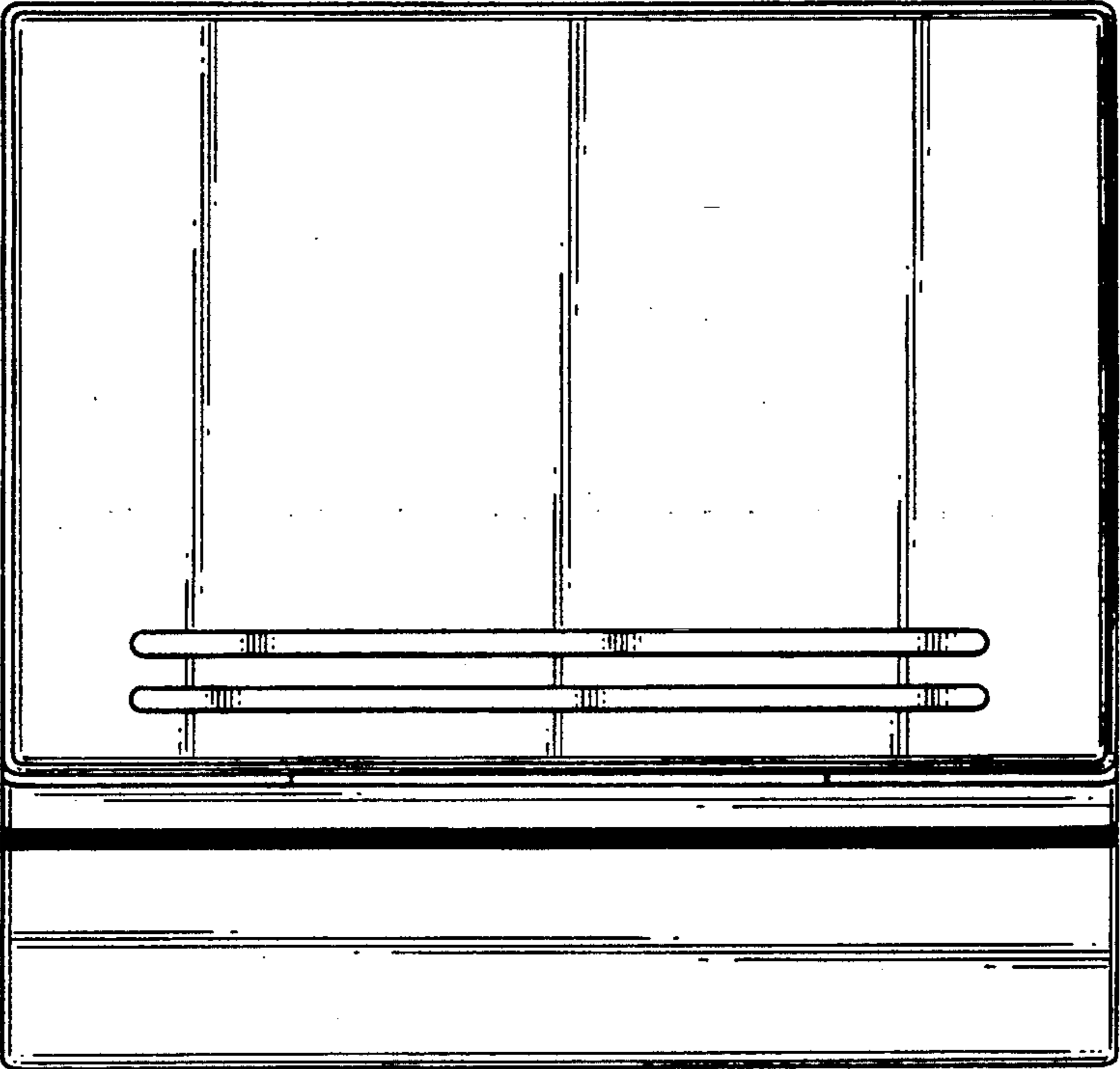


FIG.8

