



US00D334549S

United States Patent [19]
Esquibel

[11] **Patent Number: Des. 334,549**
[45] **Date of Patent: ** Apr. 6, 1993**

[54] **WINDSHIELD WIPER BLADE
ATTACHMENT IN BREAKING ICE FORMED
BETWEEN THE BLADE AND WINDSHIELD**

4,670,933 6/1987 Toplenszky 15/250.07
4,700,424 10/1987 Hagen 15/250.07

[76] **Inventor: George R. Esquibel, P.O. Box 575,
Pensaco, N. Mex. 87553**

Primary Examiner—James M. Gandy
Attorney, Agent, or Firm—Terry M. Gernstein

[**] **Term: 14 Years**

[57] **CLAIM**

[21] **Appl. No.: 775,375**

The ornamental design for a windshield wiper blade attachment for breaking ice formed between the blade and windshield, as shown and described.

[22] **Filed: Oct. 15, 1991**

DESCRIPTION

[52] **U.S. Cl. D12/155**

[58] **Field of Search D12/155; 15/250.03,
15/250.05, 250.06, 250.19, 250.07; D13/112**

FIG. 1 is a perspective view of the windshield wiper blade attachment for breaking ice formed between the blade and windshield embodying the design of the present invention;

[56] **References Cited**

U.S. PATENT DOCUMENTS

2,784,438 3/1957 Petersen 15/250.19
2,923,022 2/1960 Theckston 15/250.07
3,803,664 4/1974 Triplett 15/250.03
3,935,425 1/1976 Weissberger et al. 15/250.05

FIG. 2 is a front elevational view thereof;

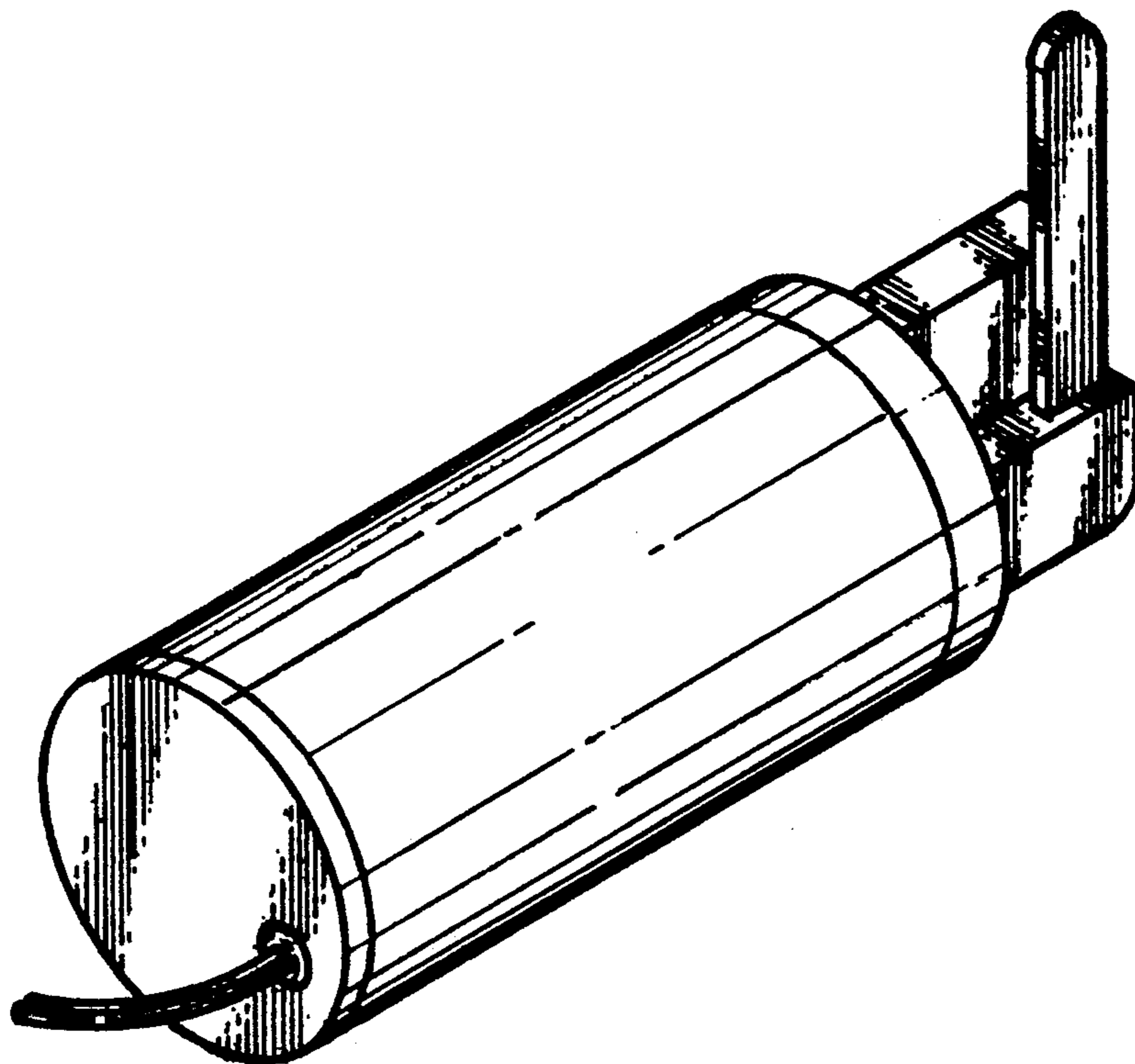
FIG. 3 is a rear elevational view thereof;

FIG. 4 is a side elevational view thereof;

FIG. 5 is an opposite side elevational view thereof;

FIG. 6 is a top plan view thereof; and,

FIG. 7 is a bottom plan view thereof.



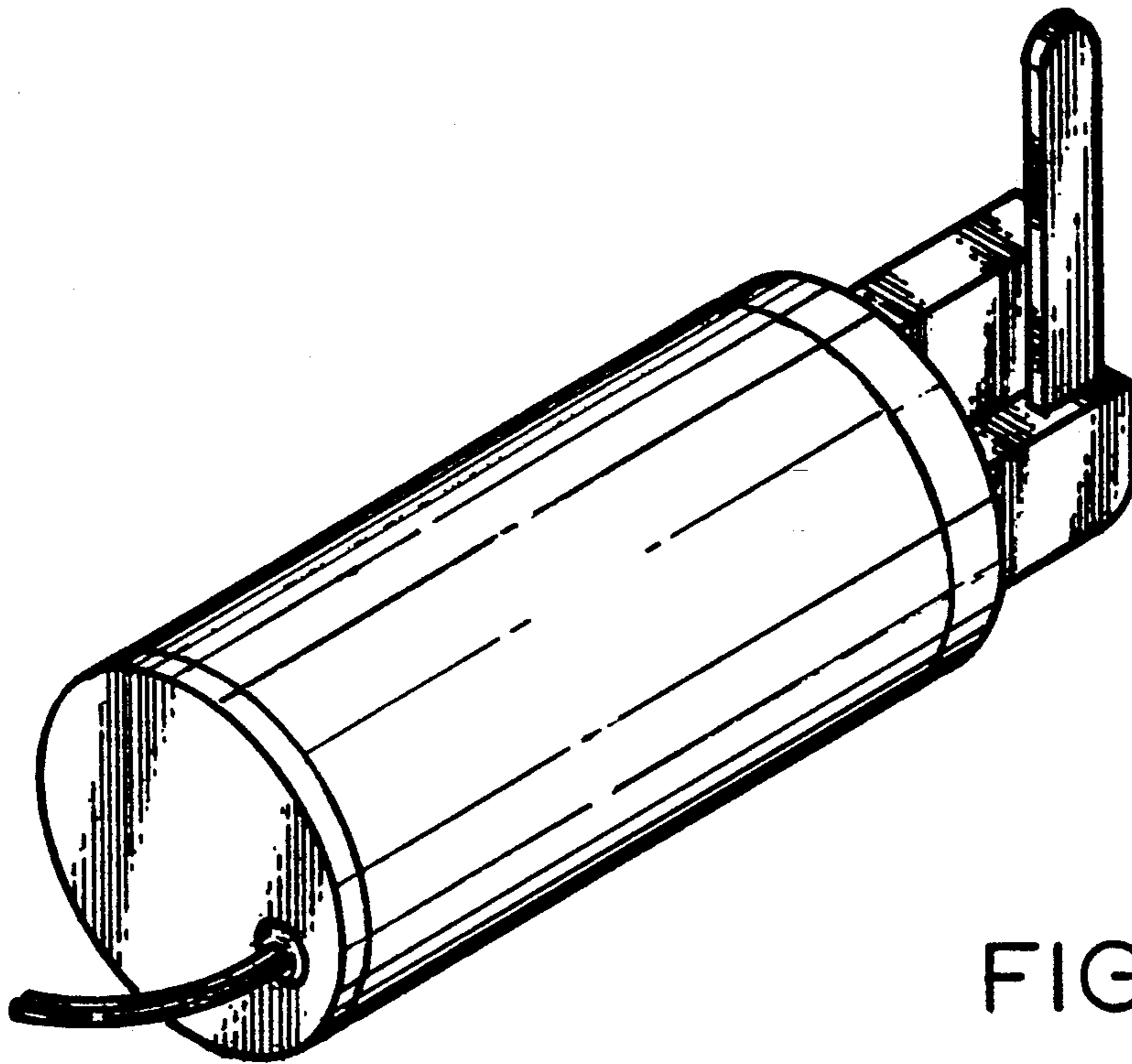


FIG. 1

