



US00D334541S

United States Patent [19]

[11] Patent Number: **Des. 334,541**

Schwartz

[45] Date of Patent: **** Apr. 6, 1993**

[54] HOUSING FOR A PASSIVE INFRARED DETECTOR

[56] References Cited

U.S. PATENT DOCUMENTS

[75] Inventor: **Frederic W. Schwartz, Providence, R.I.**

D. 296,531 7/1988 Kotlicki et al. D10/106
D. 312,053 11/1990 Jacobs et al. D10/106
D. 319,196 8/1991 Hwang D10/106

[73] Assignee: **Cable Electric Products, Inc., Providence, R.I.**

Primary Examiner—Wallace R. Burke
Assistant Examiner—Marcus Jackson
Attorney, Agent, or Firm—Paul J. Sutton

[**] Term: **14 Years**

[57] CLAIM

The ornamental design for a housing for a passive infrared detector, as shown and described.

[21] Appl. No.: **544,787**

DESCRIPTION

[22] Filed: **Jun. 27, 1990**

[52] U.S. Cl. **D10/104**

[58] Field of Search D10/104, 105, 106, 121;
340/521, 540, 546, 555, 556, 557, 565, 578, 567,
600, 693

FIG. 1 is a perspective view of a housing for a passive infrared detector showing my new design;
FIG. 2 is a top plan view thereof;
FIG. 3 is a left side elevational view thereof;
FIG. 4 is a front elevational view thereof;
FIG. 5 is a rear elevational view thereof; and,
FIG. 6 is a bottom plan view thereof.

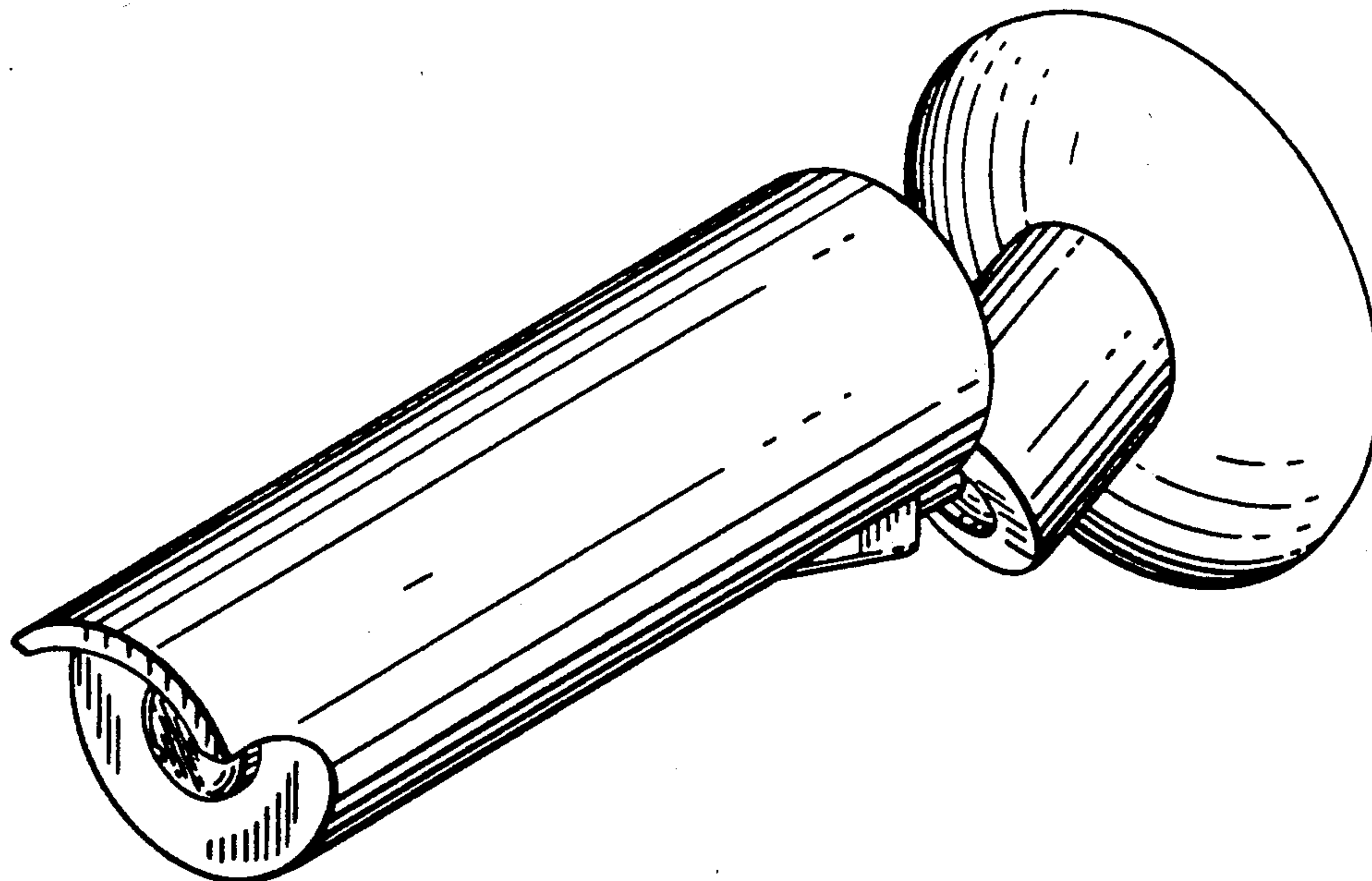


FIG. 1

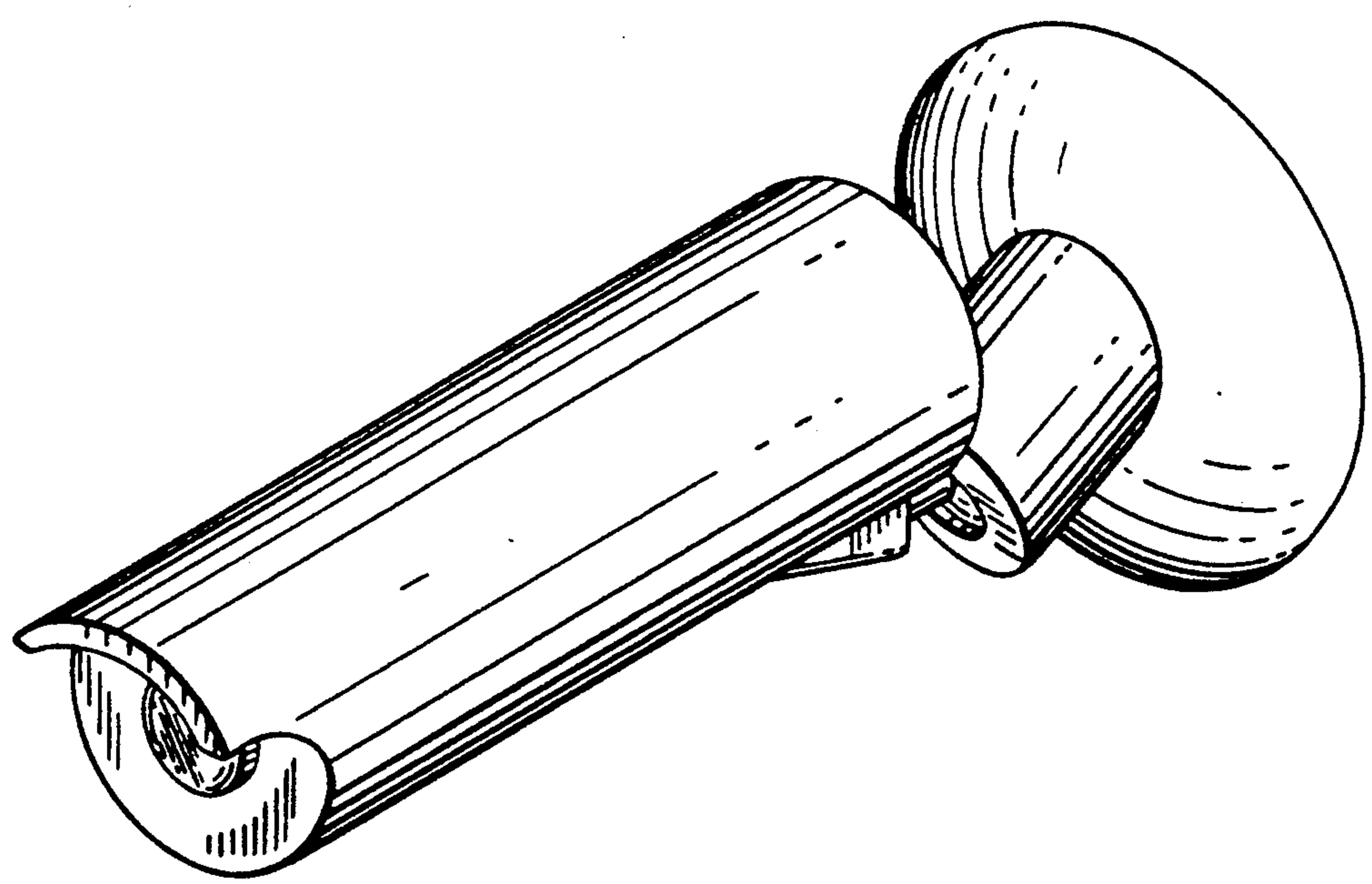


FIG. 2

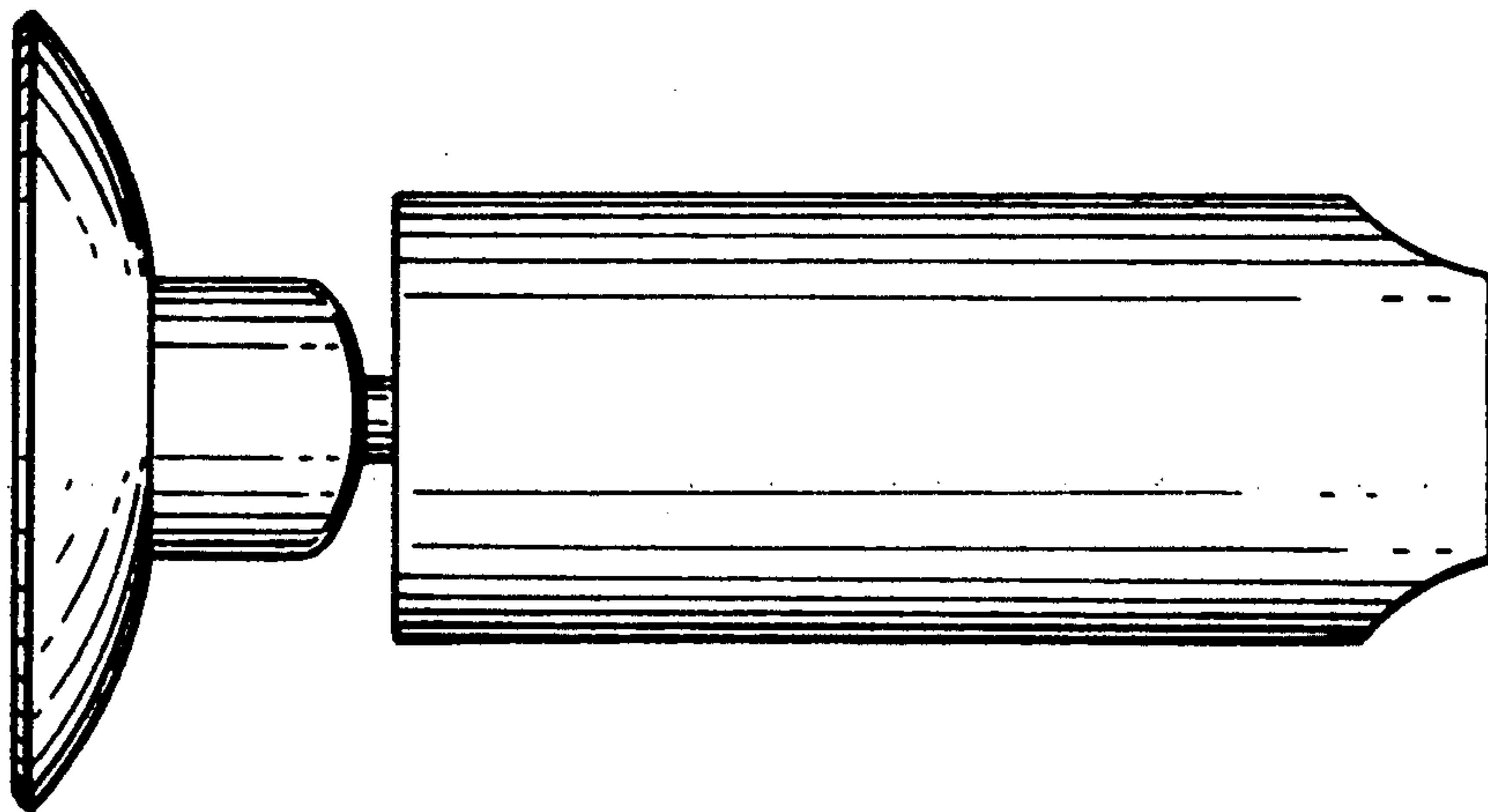


FIG. 3

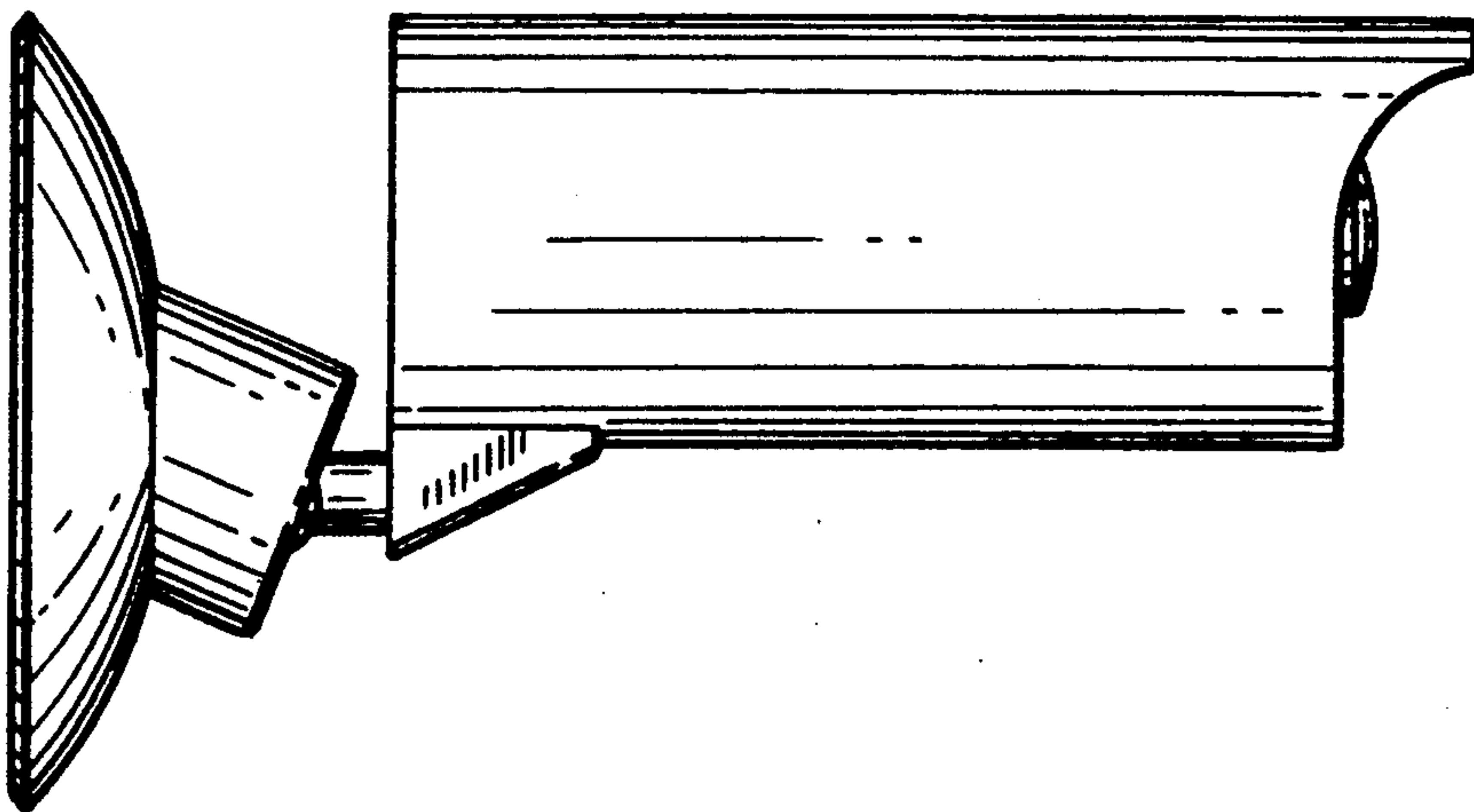


FIG. 4

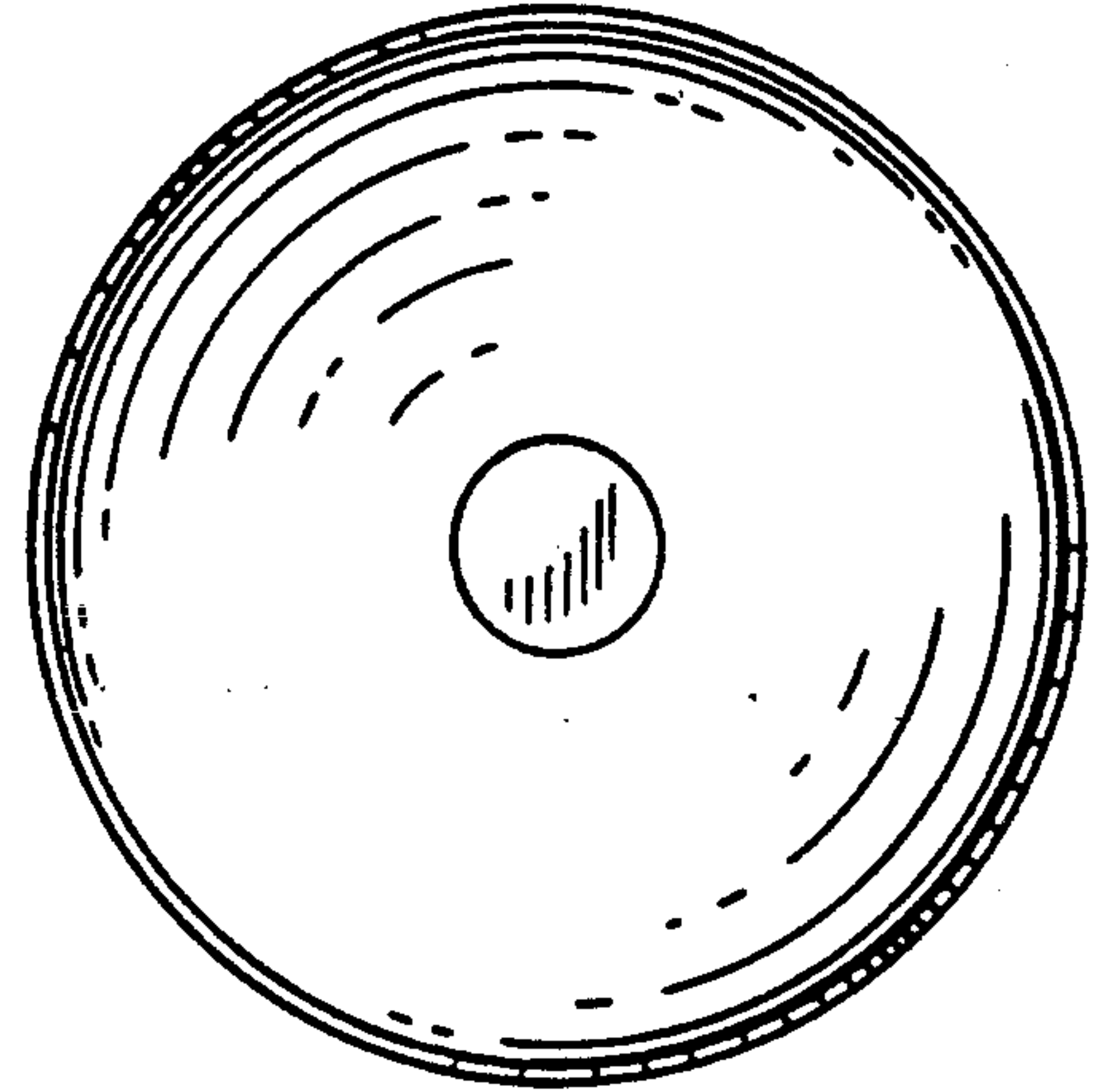
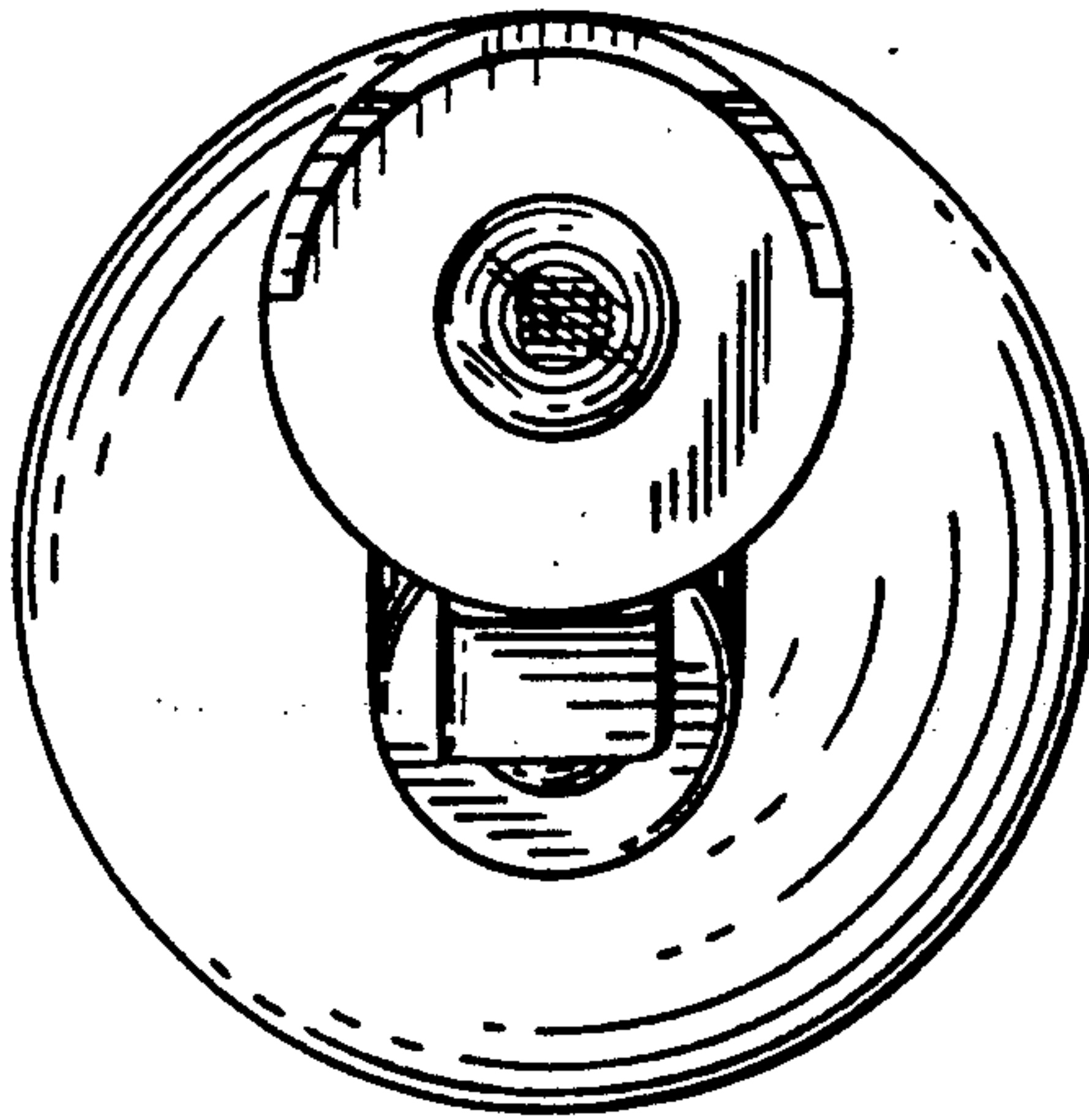


FIG. 5

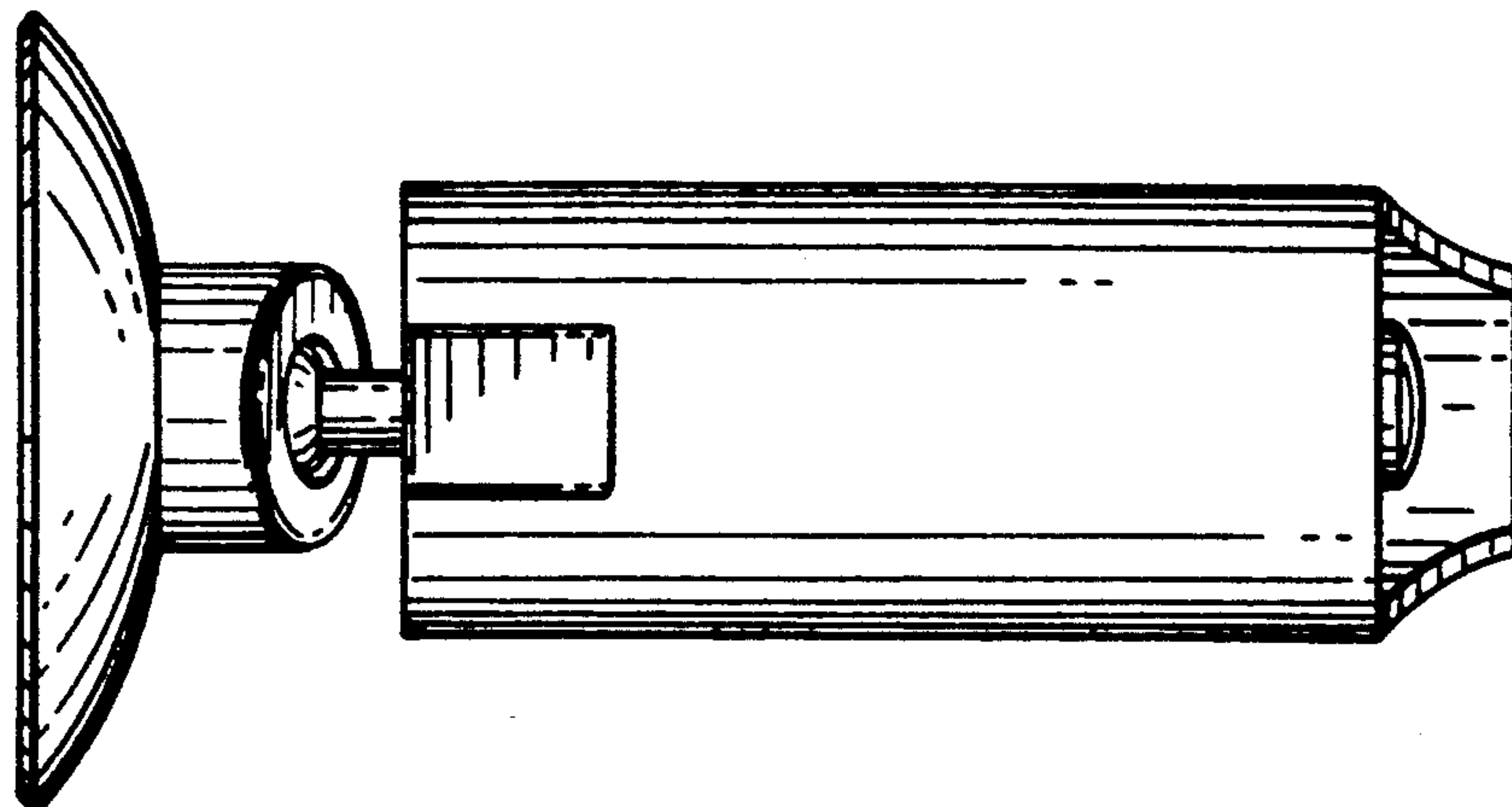


FIG. 6