



US00D334536S

United States Patent [19]

[11] Patent Number: **Des. 334,536**

Long et al.

[45] Date of Patent: **** Apr. 6, 1993**

[54] **FLUID CONTAINER**

[75] Inventors: **Ernest W. Long, Concord; Shailendra Singh, Sharon, both of Mass.**

[73] Assignee: **P B Diagnostic Systems, Inc., Westwood, Mass.**

[**] Term: **14 Years**

[21] Appl. No.: **733,234**

[22] Filed: **Jul. 22, 1991**

[52] U.S. Cl. **D9/425**

[58] Field of Search **D9/424, 425, 430, 423, D9/347, 337, 447; 220/242, 377, 748, 571, DIG. 6, 426, 427, 428, 602, 205, 86.1; 222/421, 566, 188, 189**

[56] **References Cited**

U.S. PATENT DOCUMENTS

- D. 262,776 1/1982 Sandow D9/337
- D. 264,180 5/1982 Bartz D9/337

- D. 322,403 12/1991 Eaton D9/429
- 3,082,901 3/1963 Nakagawa 220/86.1 X
- 3,154,215 10/1964 Vesconte 220/640 X
- 3,920,144 11/1975 Callen 220/571 X
- 4,373,642 2/1983 Wolters et al. 220/659

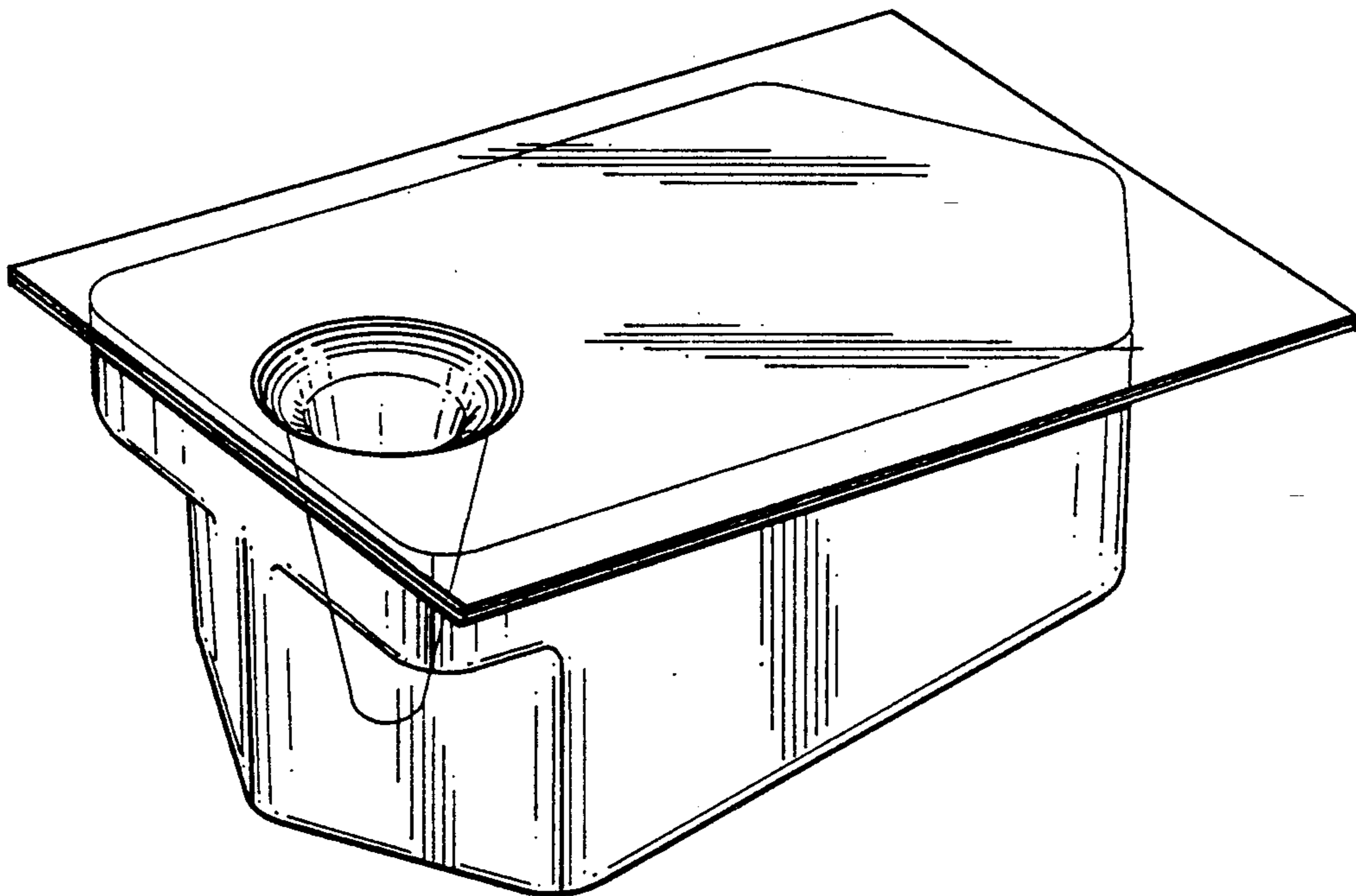
Primary Examiner—Bernard Ansher
Assistant Examiner—Prabhakar Deshmukh
Attorney, Agent, or Firm—Gaetano D. Maccarone

[57] **CLAIM**

The ornamental design for a fluid container, as shown and described.

DESCRIPTION

FIG. 1 is a perspective view of a fluid container showing our new design;
FIG. 2 is a top plan view thereof;
FIG. 3 is a right side elevational view thereof;
FIG. 4 is a left side elevational view thereof;
FIG. 5 is a front elevational view thereof;
FIG. 6 is a rear elevational view thereof; and,
FIG. 7 is a bottom plan view thereof.



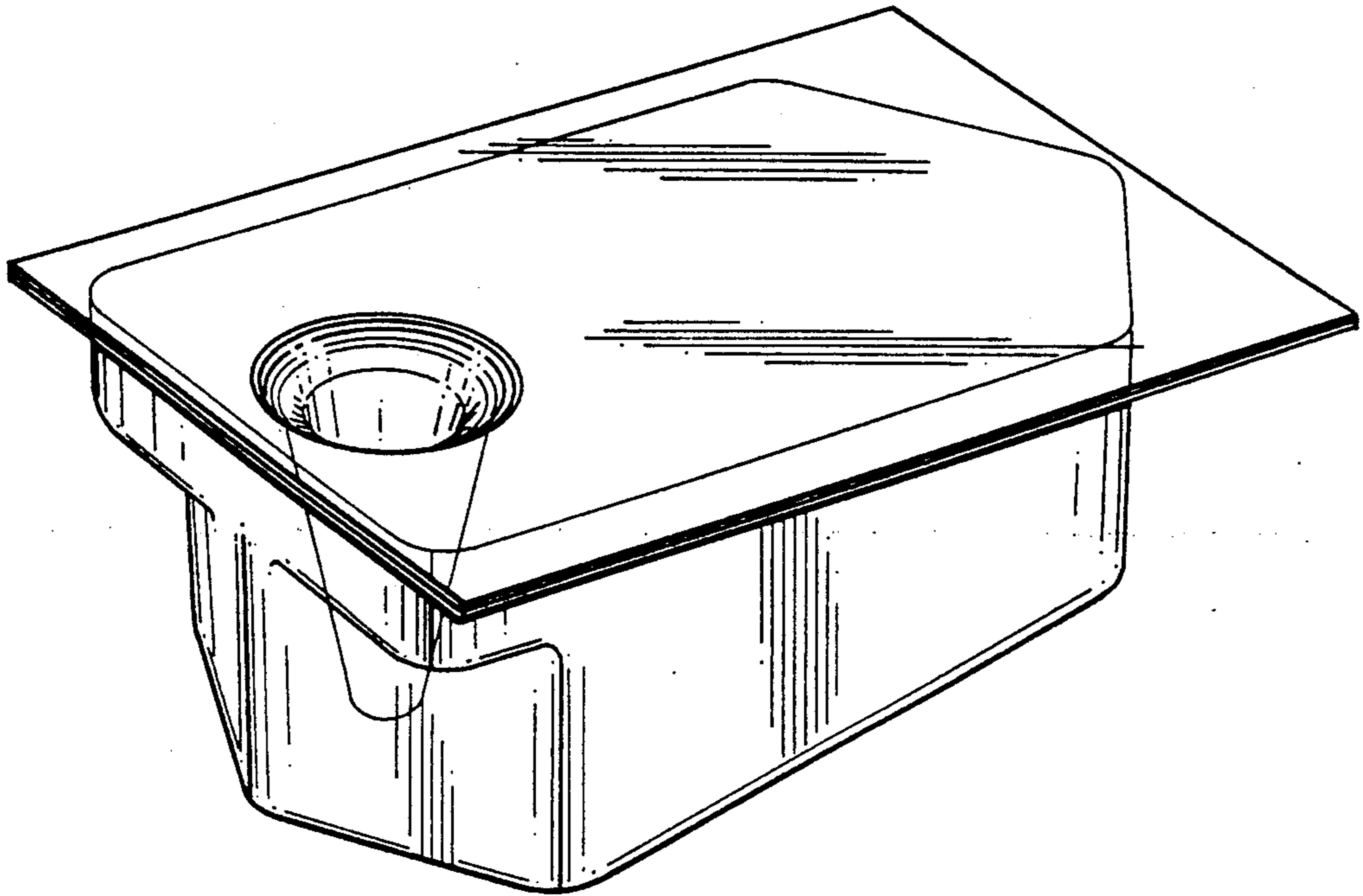


FIG. 1

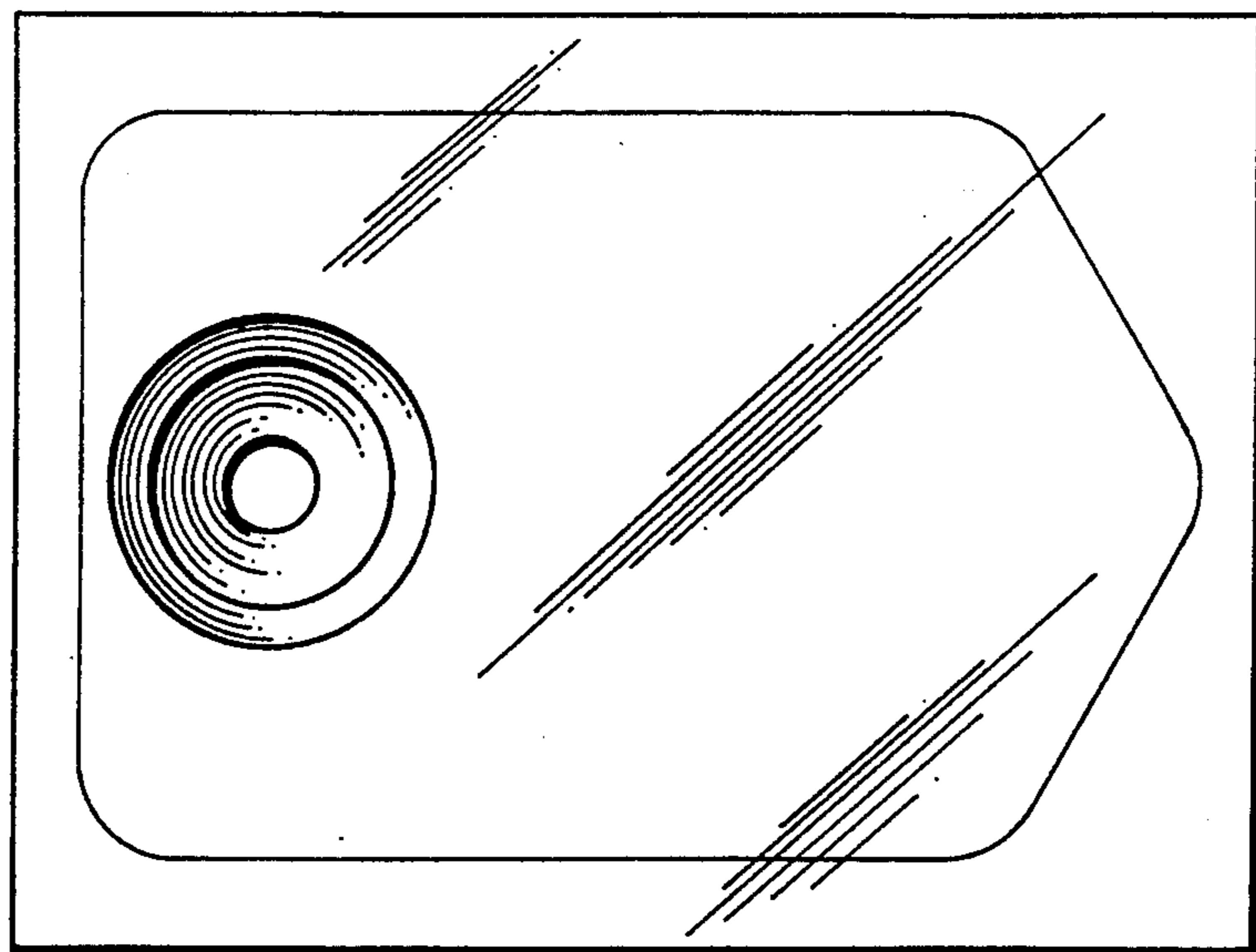


FIG. 2

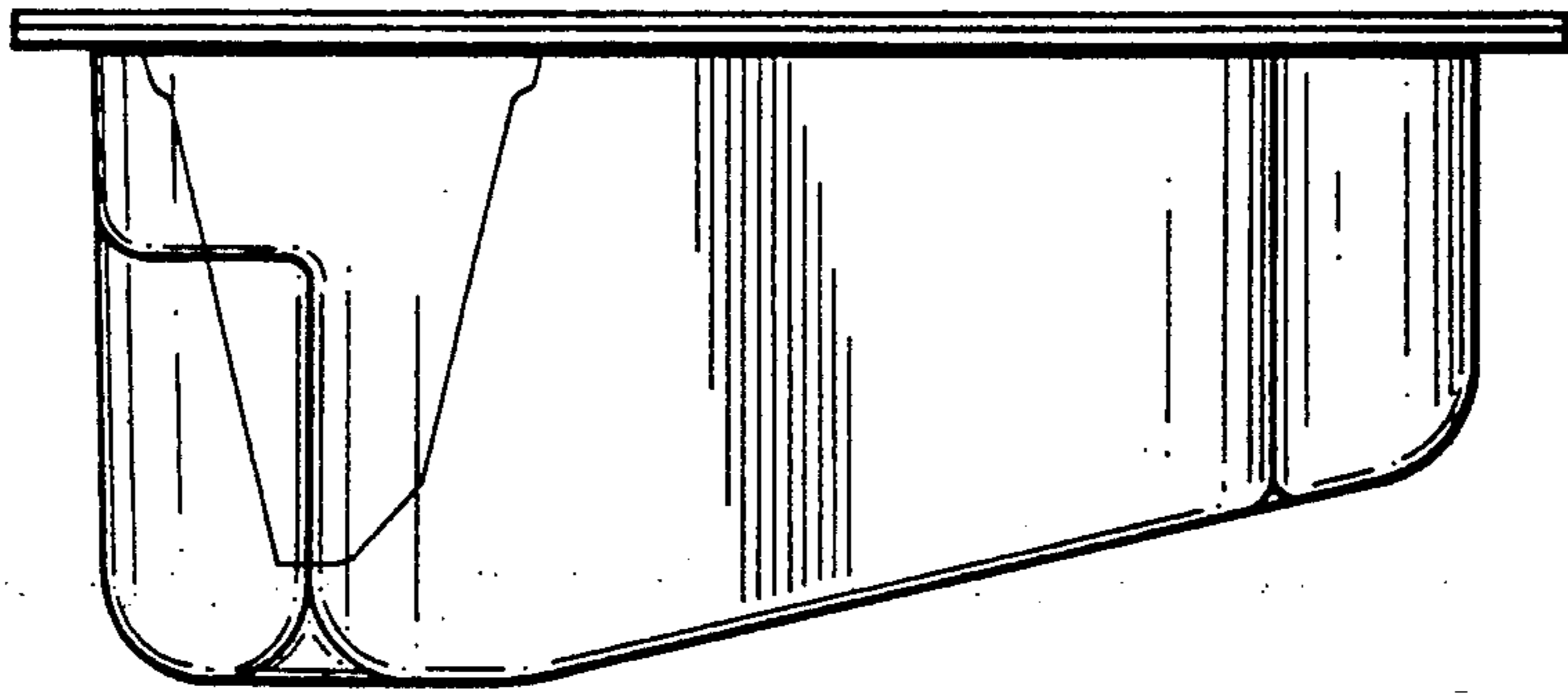


FIG. 3

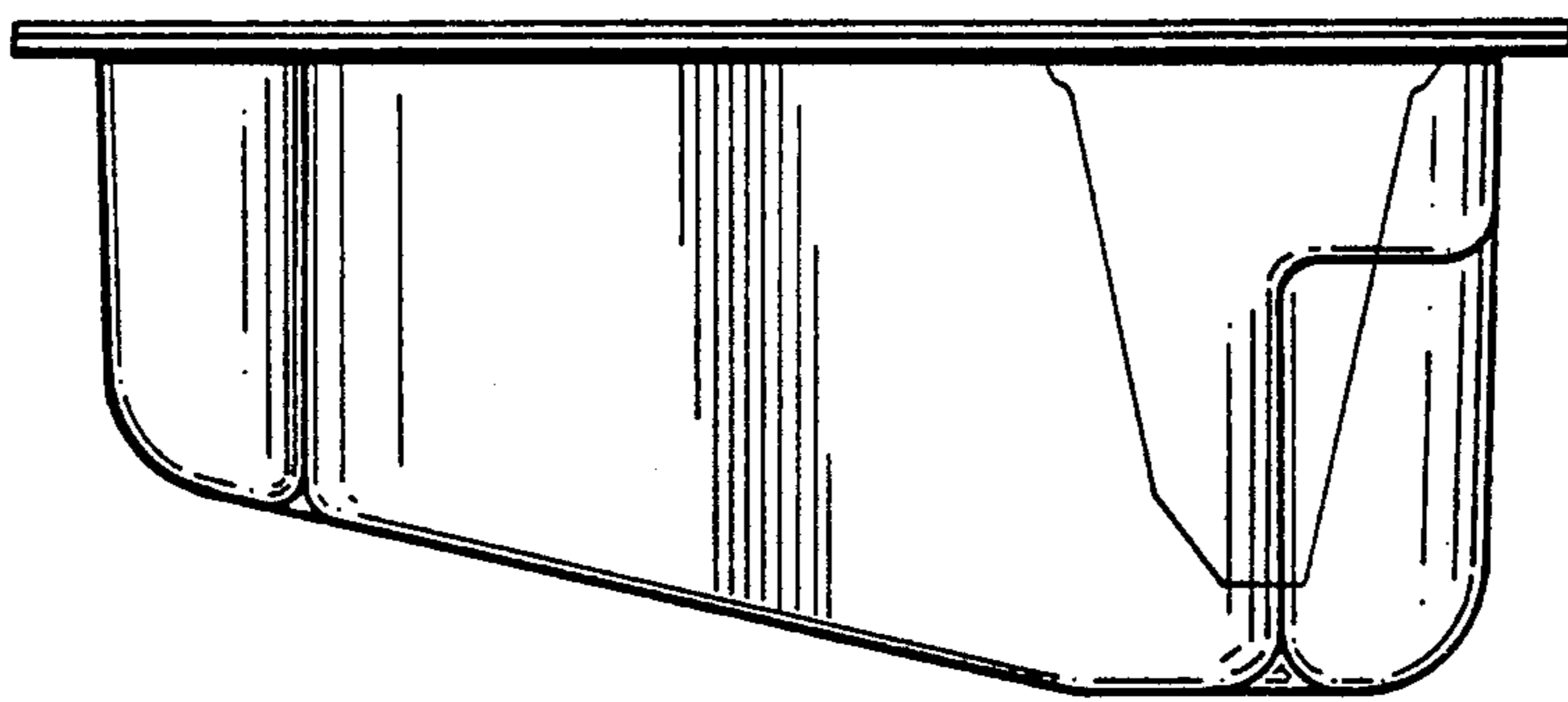


FIG. 4

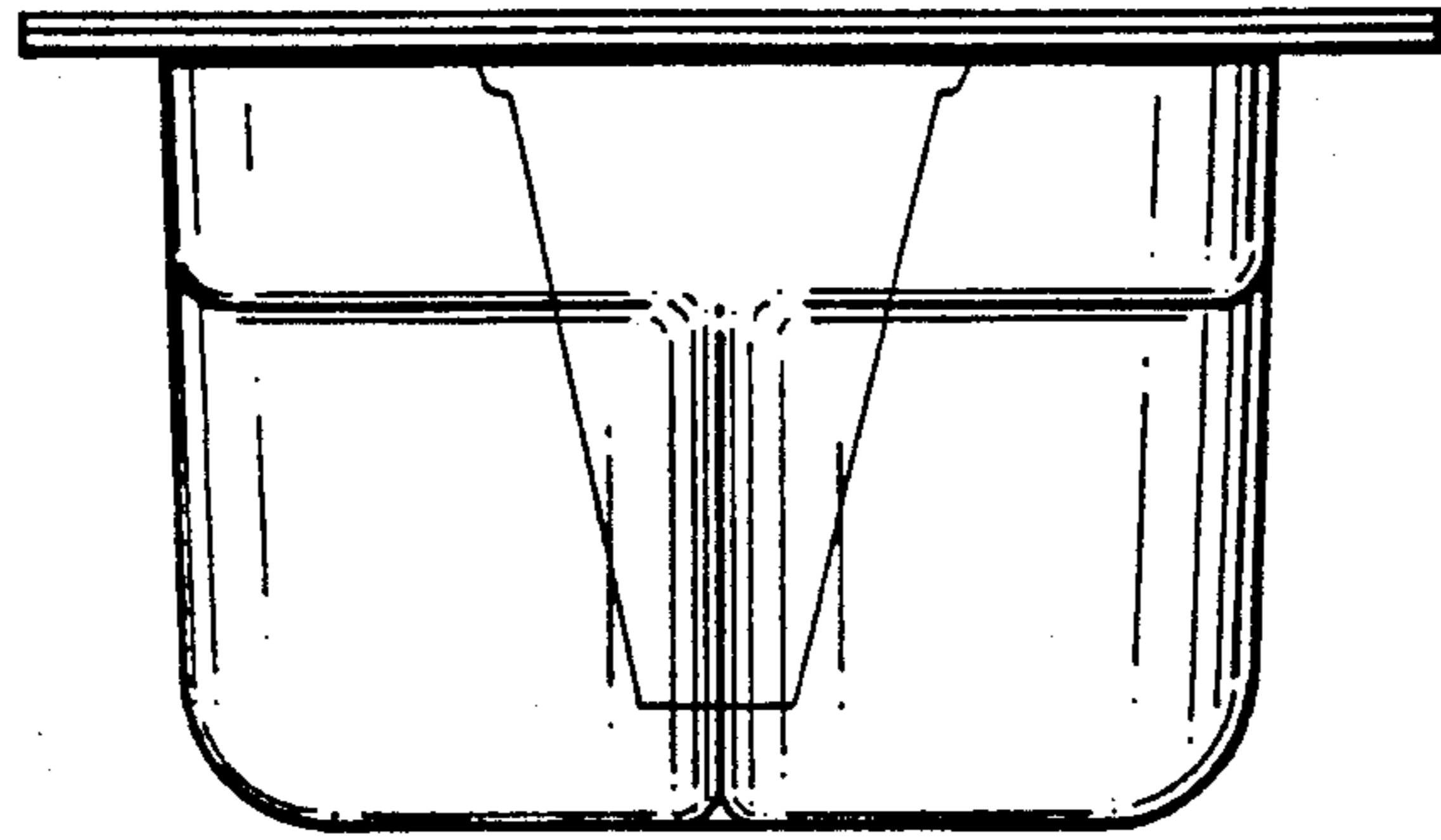


FIG. 5

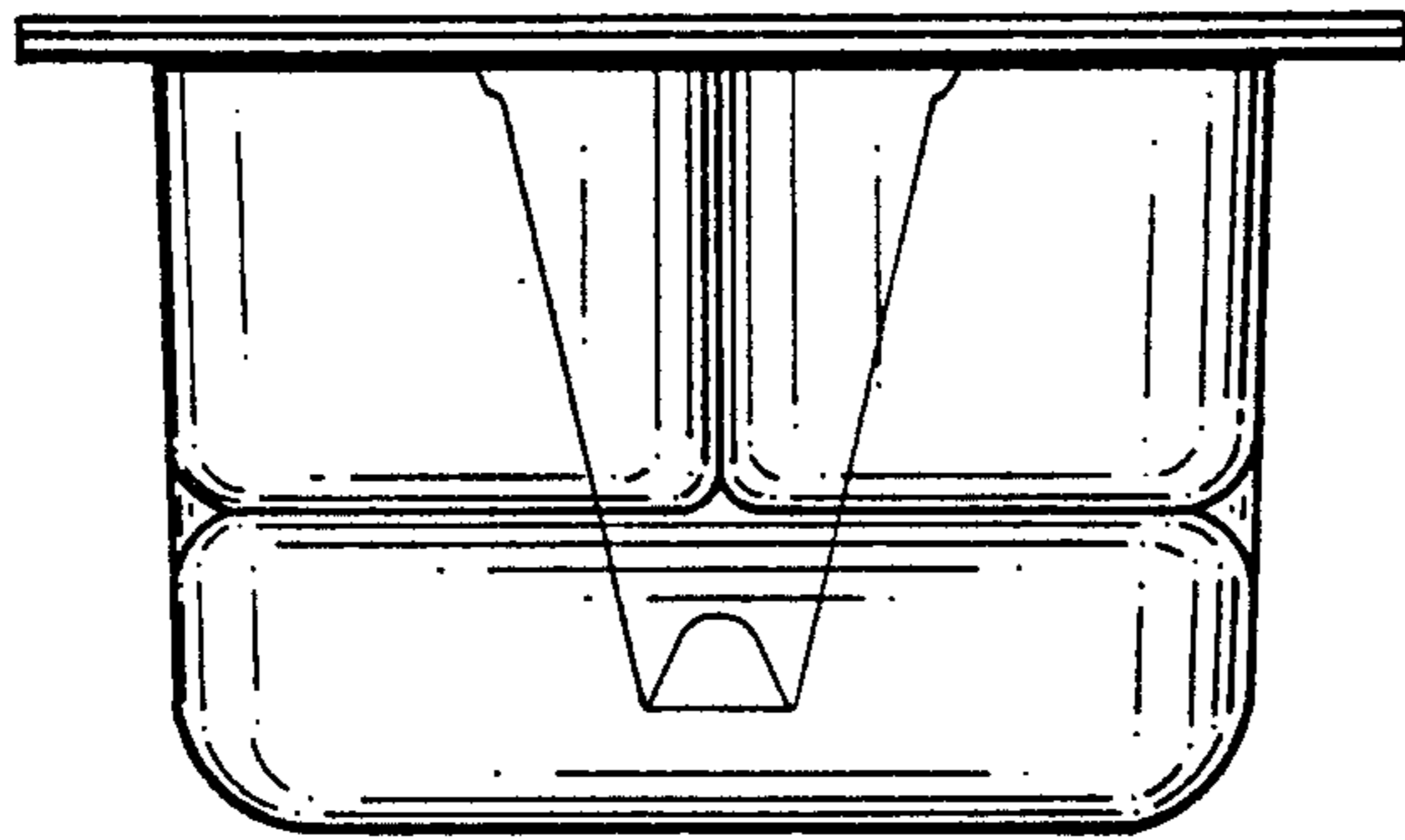


FIG. 6

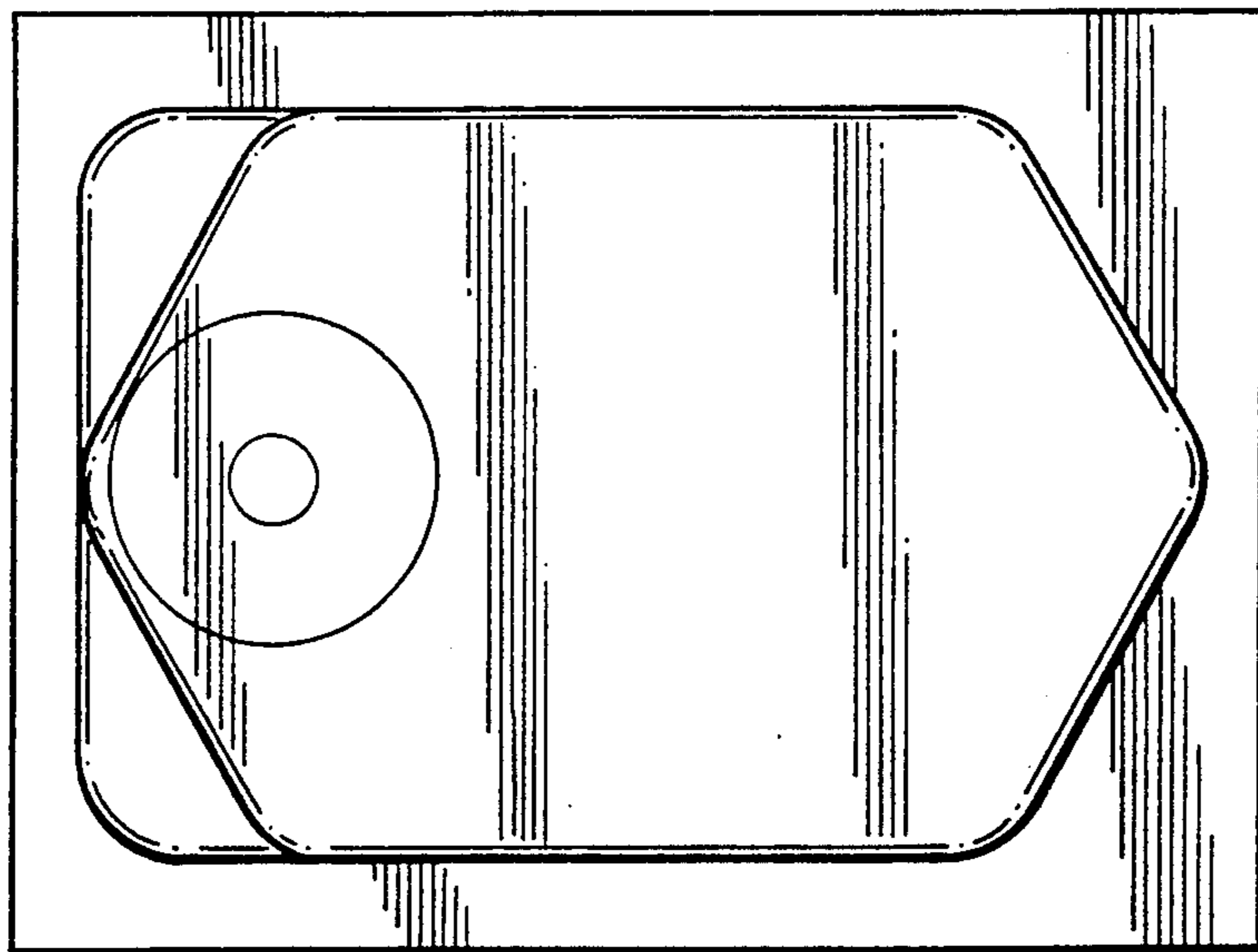


FIG. 7