



US00D334533S

United States Patent [19]

Brunner

[11] Patent Number: **Des. 334,533**

[45] Date of Patent: **** Apr. 6, 1993**

[54] **EYEGLASS HOLDER**

5,046,696 9/1991 Lee 298/309.1

[76] Inventor: **Hans-Dieter Brunner**, P.O. Box DD,
Balboa Island, Calif. 92662

Primary Examiner—Brian N. Vinson
Attorney, Agent, or Firm—Price, Gess & Ubell

[**] Term: **14 Years**

[57] **CLAIM**

[21] Appl. No.: **638,418**

The ornamental design for an eye glass holder, as shown as described.

[22] Filed: **Jan. 7, 1991**

[52] U.S. Cl. **D8/373**

DESCRIPTION

[58] Field of Search **D6/512, 526, 534, 567;**
D8/373, 380; 211/13, 59.1, 60.1, 66, 113;
248/176-177, 309.1, 312

FIG. 1 is a front perspective view of an eye glass holder showing our new design;

FIG. 2 is a top plan view thereof;

FIG. 3 is a left side view thereof;

FIG. 4 is a front view thereof;

FIG. 5 is a right side view thereof;

FIG. 6 is a rear view thereof; and,

FIG. 7 is a bottom plan view thereof.

[56] References Cited

U.S. PATENT DOCUMENTS

2,949,683 8/1960 Glover 248/309.1 X
4,695,026 9/1987 Medley, Jr. D8/373 X

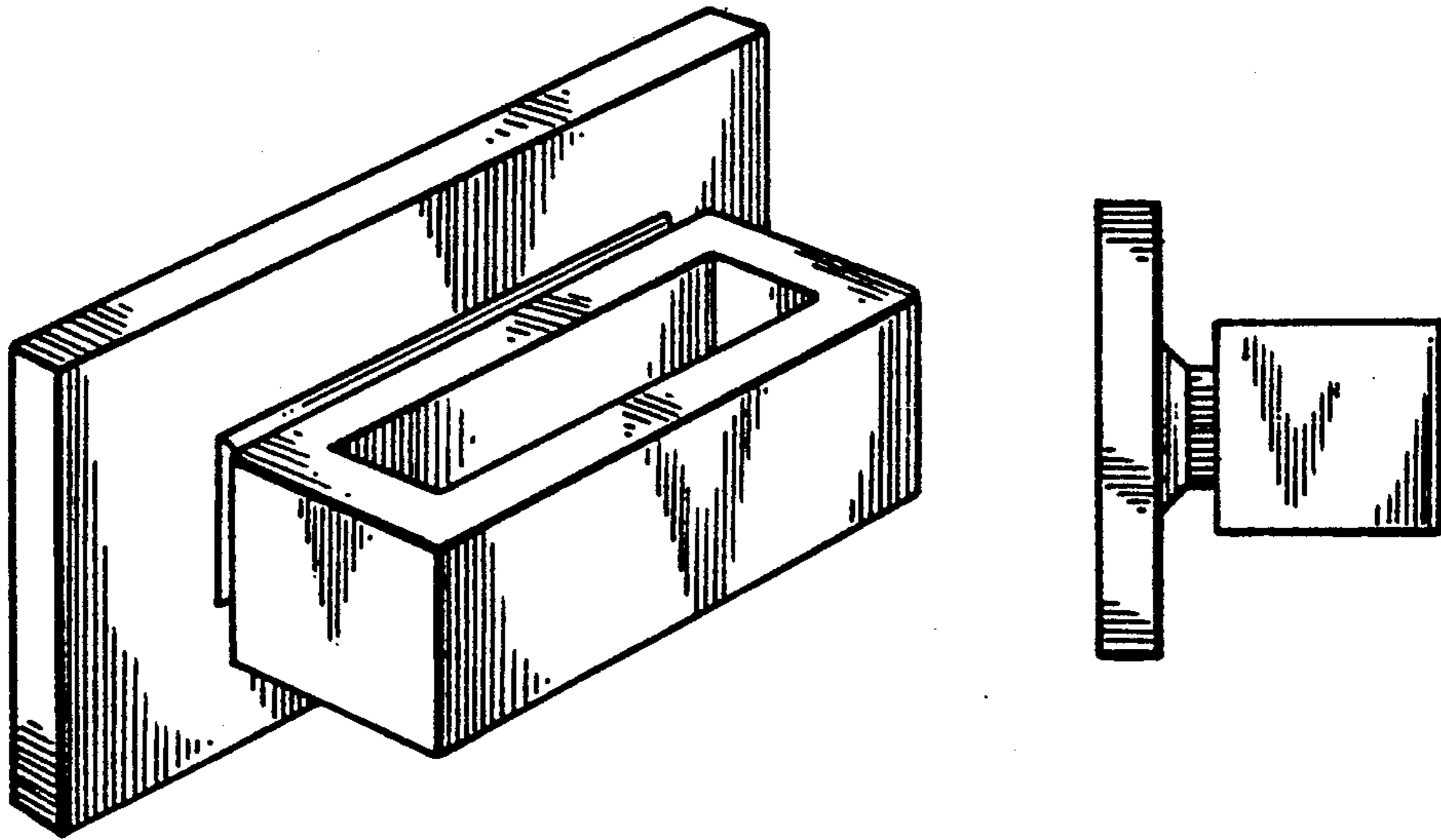


FIG. 1

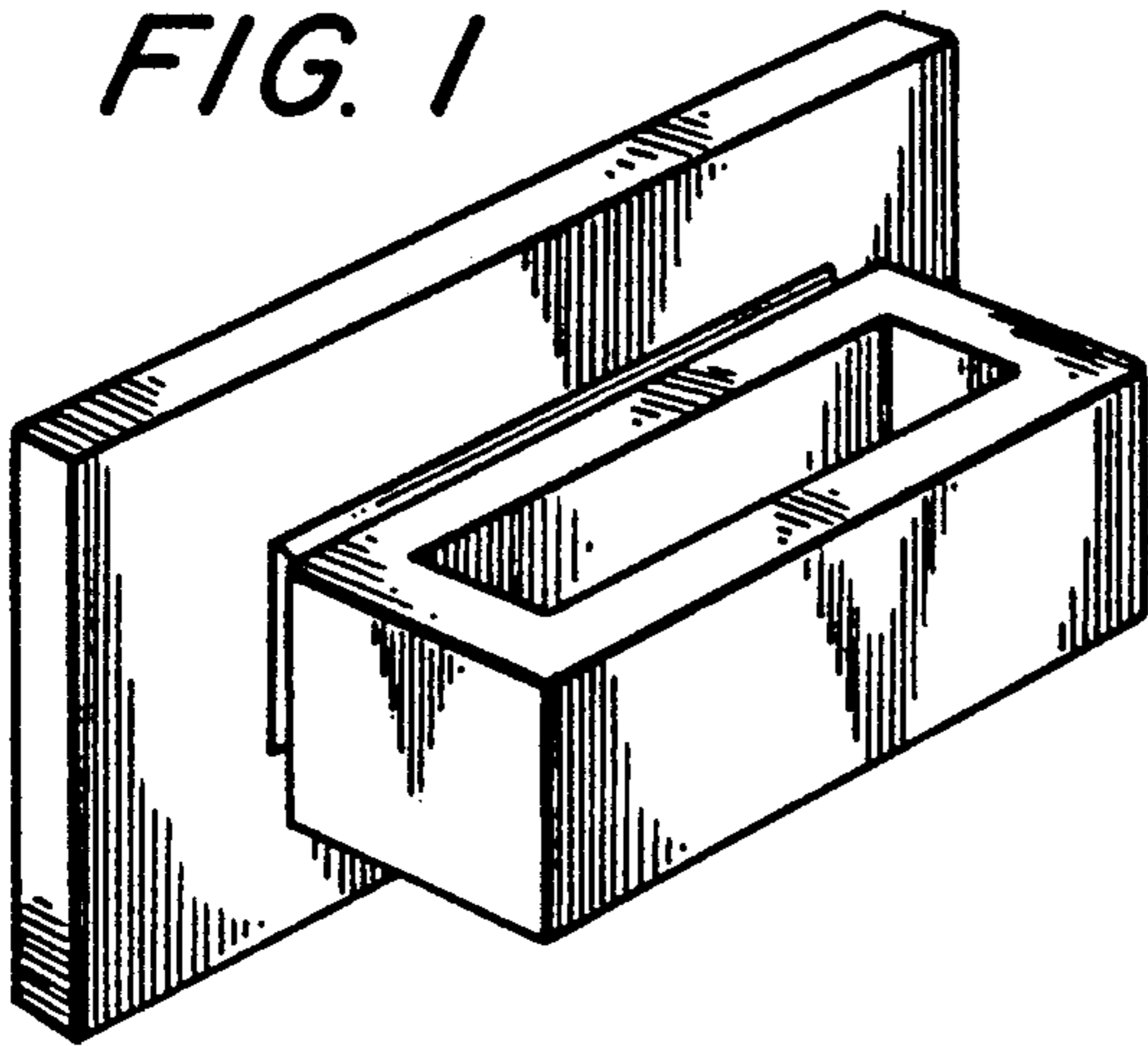


FIG. 2

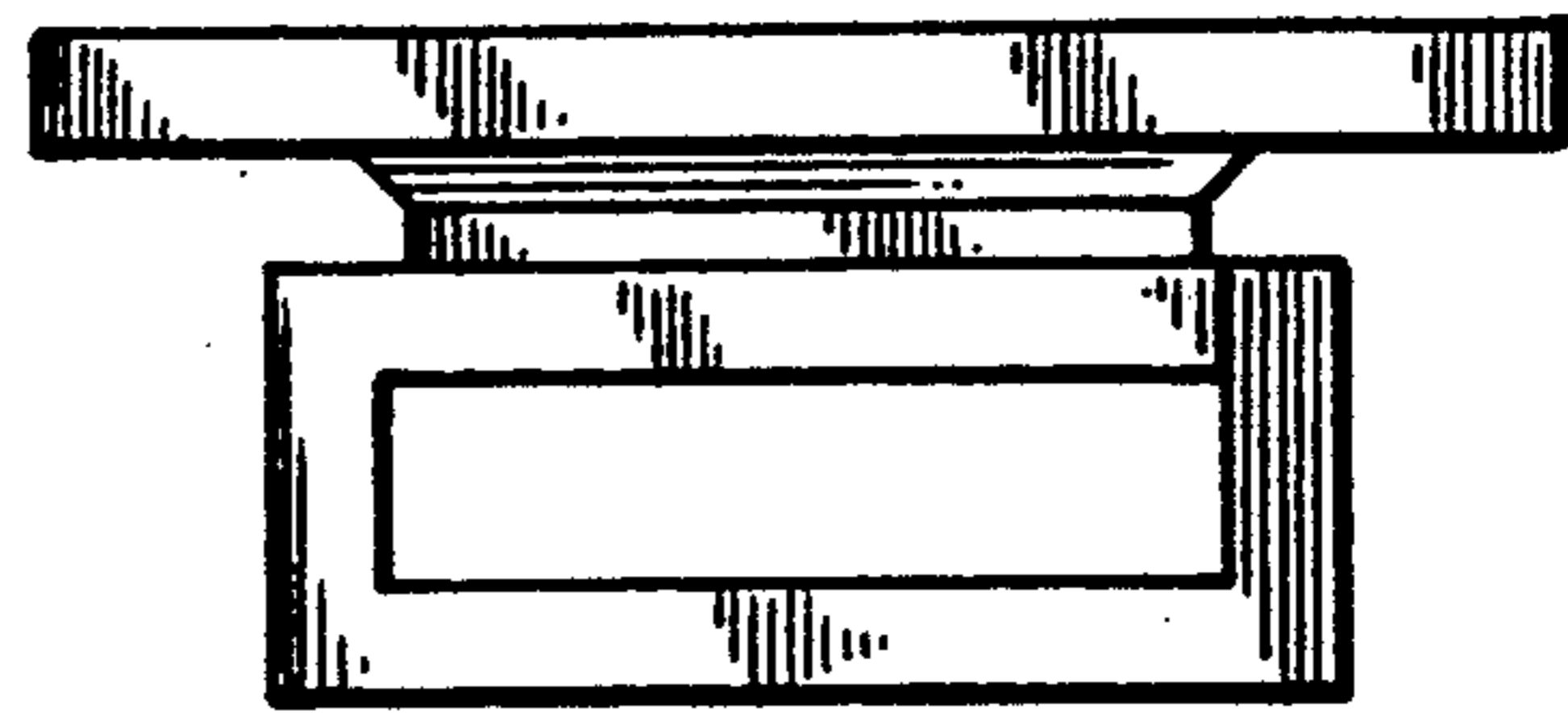


FIG. 3

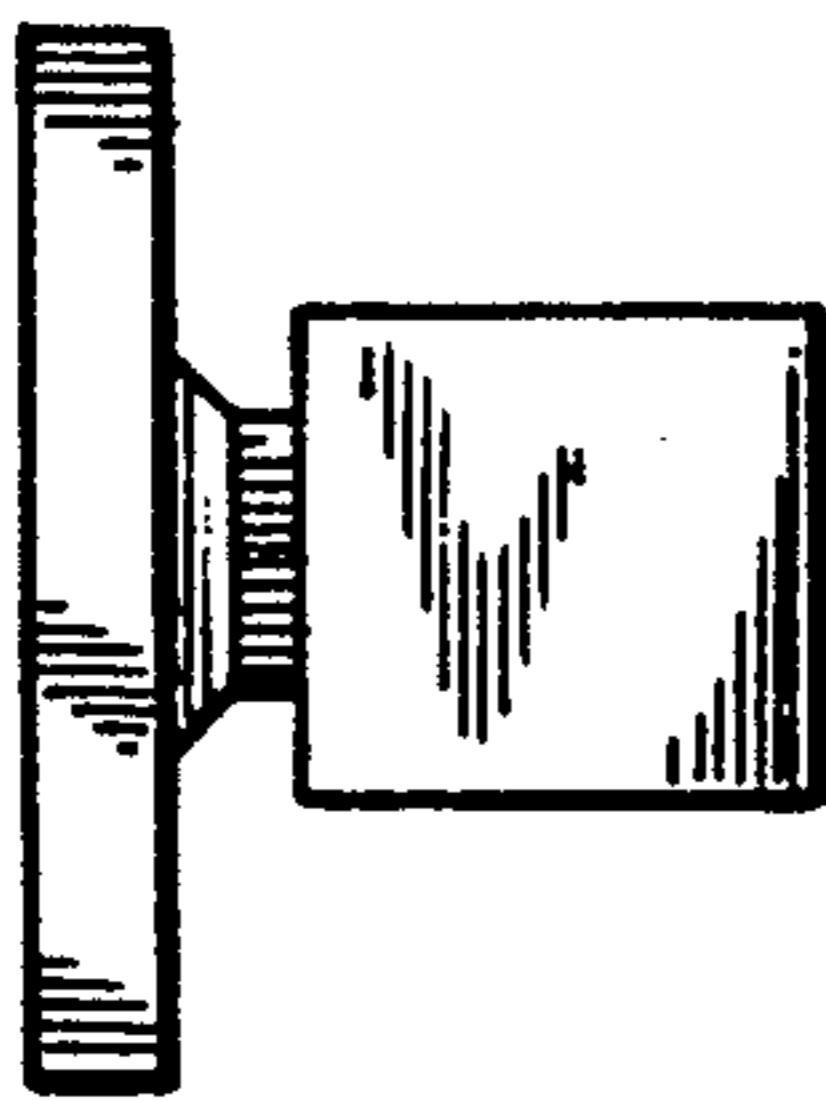


FIG. 4

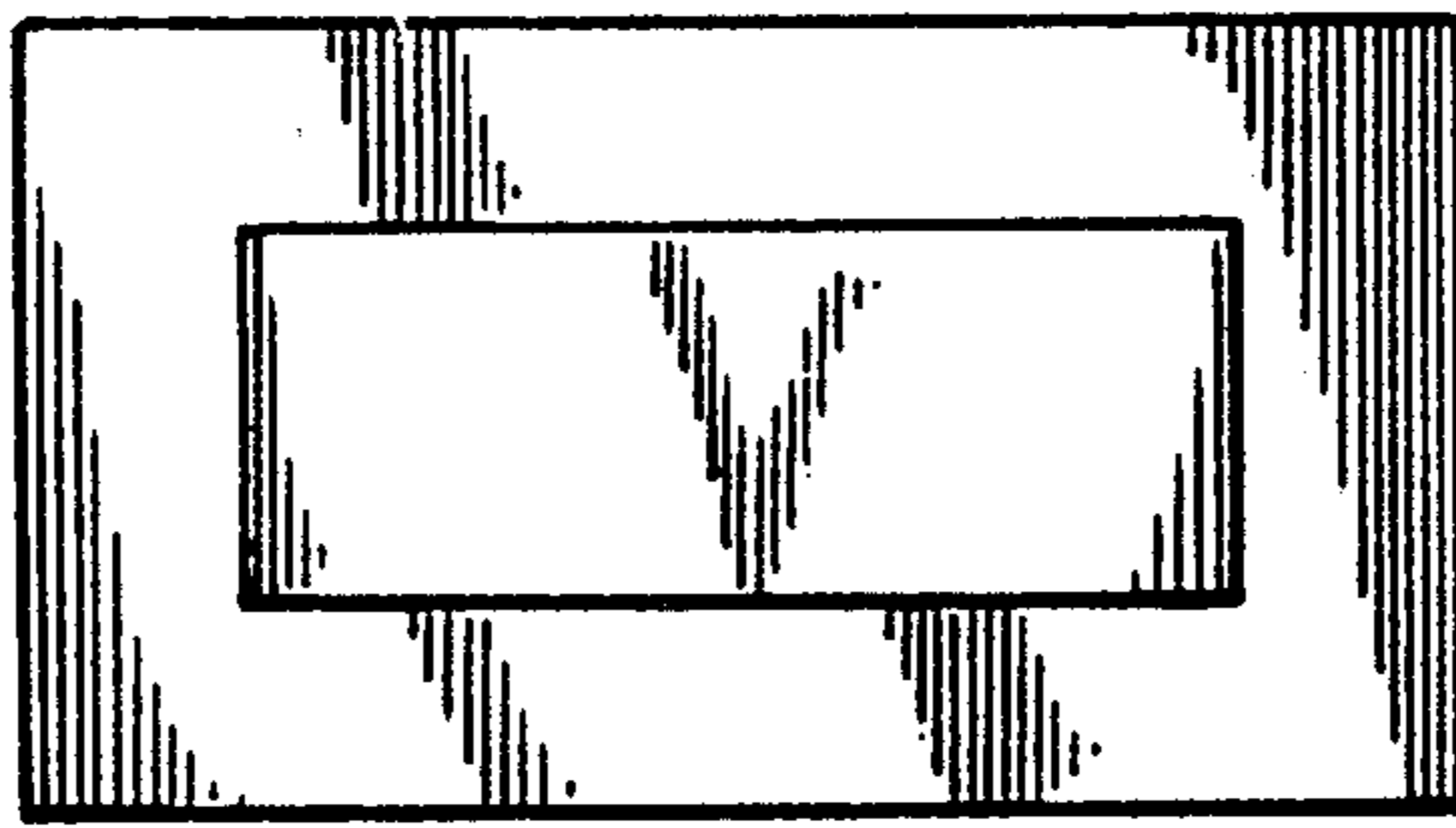


FIG. 5

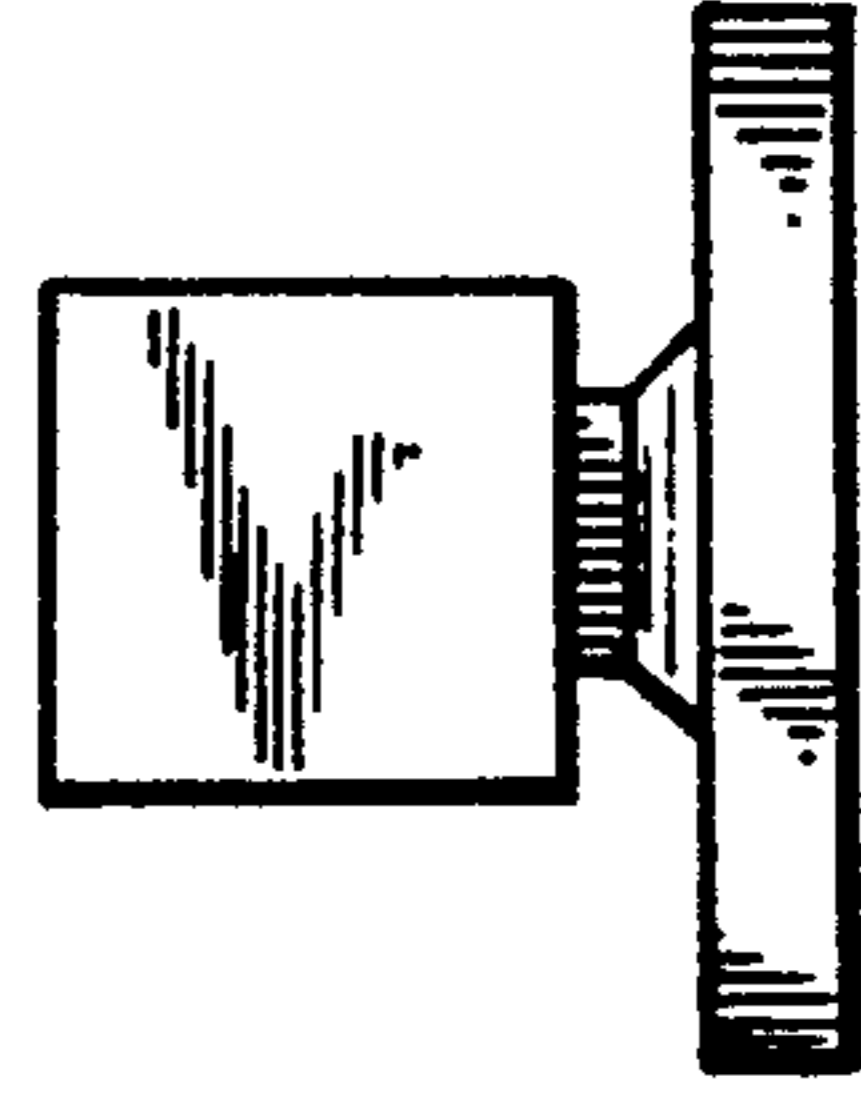


FIG. 6

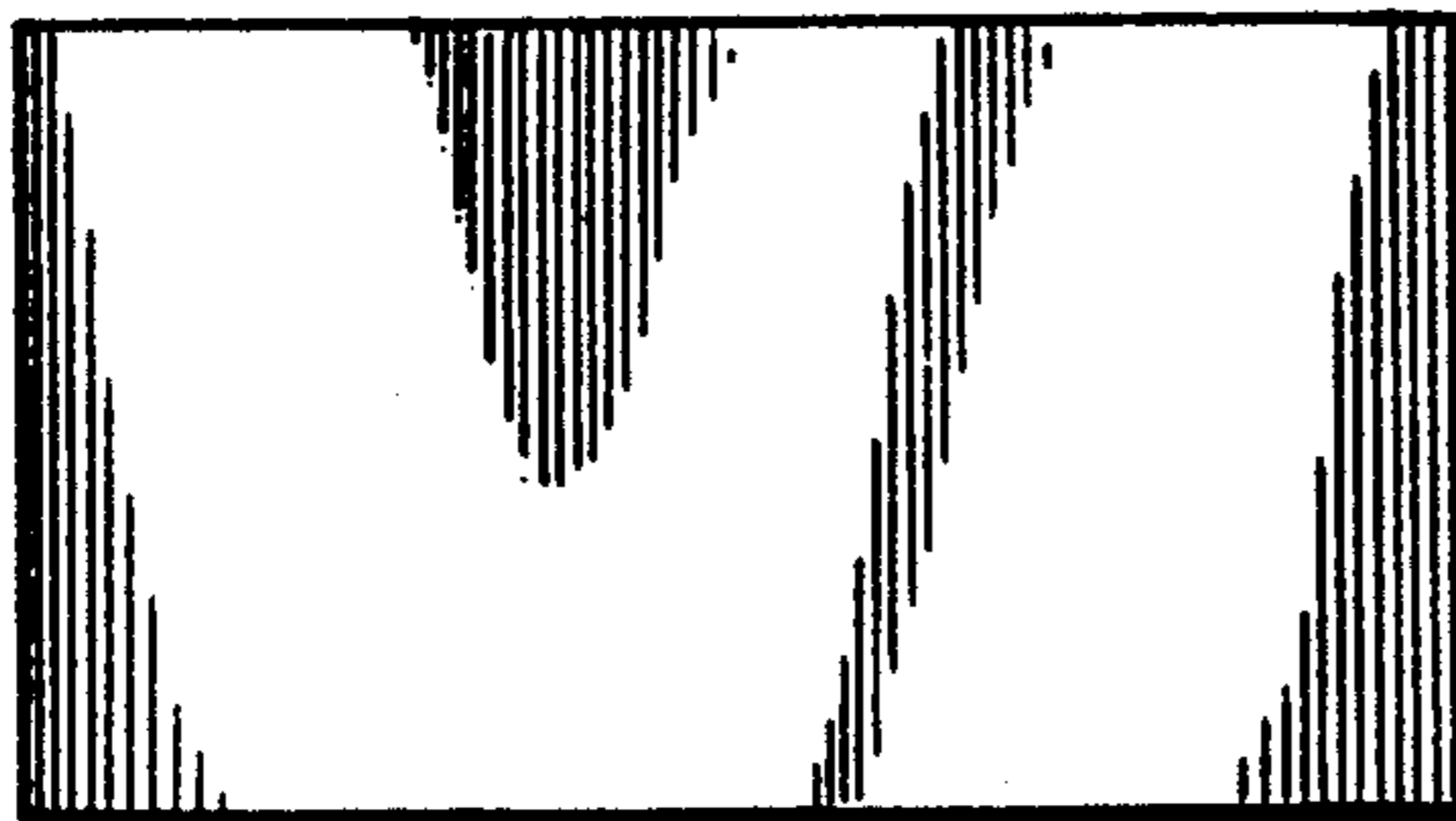


FIG. 7

