



US00D334532S

# United States Patent [19]

Arana

[11] Patent Number: **Des. 334,532**

[45] Date of Patent: **\*\* Apr. 6, 1993**

[54] **DEER HANGER**

[76] Inventor: **Antonio A. Arana**, 245 E. 5th Street, Sutherlin, Oreg. 97479

[\*\*] Term: **14 Years**

[21] Appl. No.: **565,116**

[22] Filed: **Aug. 10, 1990**

[52] U.S. Cl. .... **D8/373; D8/367**

[58] Field of Search ..... **D8/370, 373; 248/339, 248/215, 692**

3,612,459 10/1971 Walls ..... 248/215  
3,820,195 6/1974 Hutzell ..... 248/339 X

### OTHER PUBLICATIONS

Ad.-"Butcher Mate"; P.O. Box 148; LaClede; ID83841.

*Primary Examiner*—Horace B. Fay, Jr.  
*Attorney, Agent, or Firm*—Leon Gilden

### [57] CLAIM

The ornamental design for a deer hanger, as shown and described.

### DESCRIPTION

FIG. 1 is a front elevational view of a deer hanger; FIG. 2 is a rear elevational view thereof; FIG. 3 is a left side elevational view thereof; FIG. 4 is a right side elevational view thereof; FIG. 5 is a top plan view thereof; FIG. 6 is a bottom plan view thereof; and, FIG. 7 is a front, and top perspective view thereof.

### [56] References Cited U.S. PATENT DOCUMENTS

D. 31,631	10/1899	Rawley .....	D8/370
D. 188,486	8/1960	De Long .....	D8/373
D. 274,036	5/1984	Schraml .....	D8/370
D. 312,388	11/1990	Riener .....	D8/373
3,175,798	3/1965	Lewis .....	248/215 X

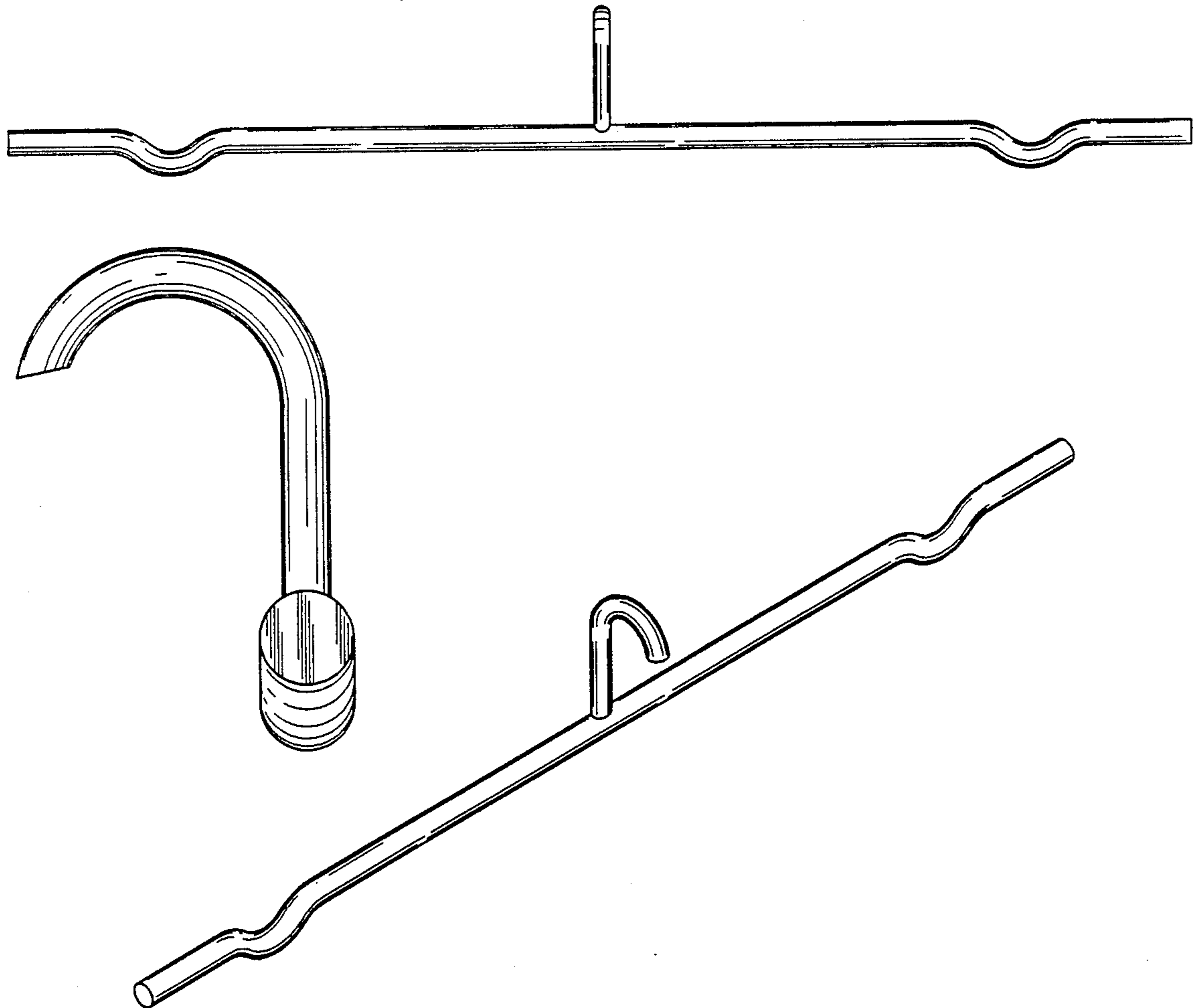


FIG. 1

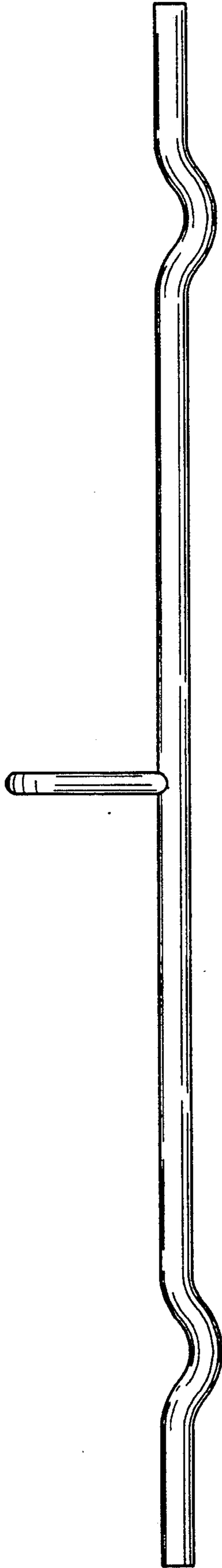


FIG. 2

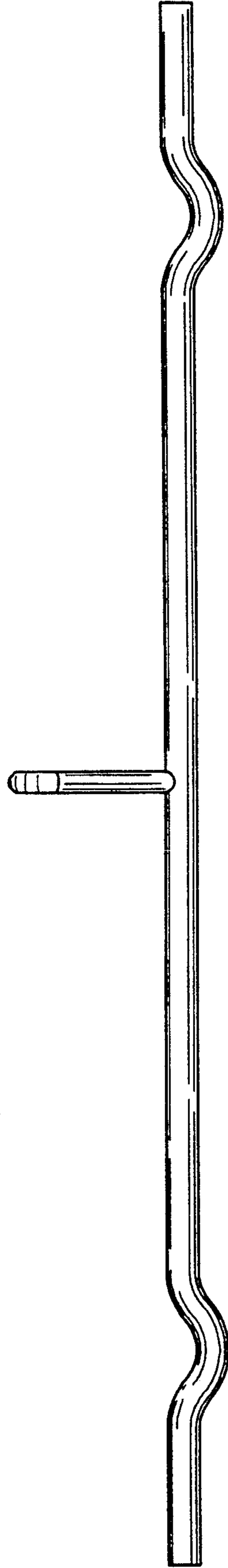


FIG. 3

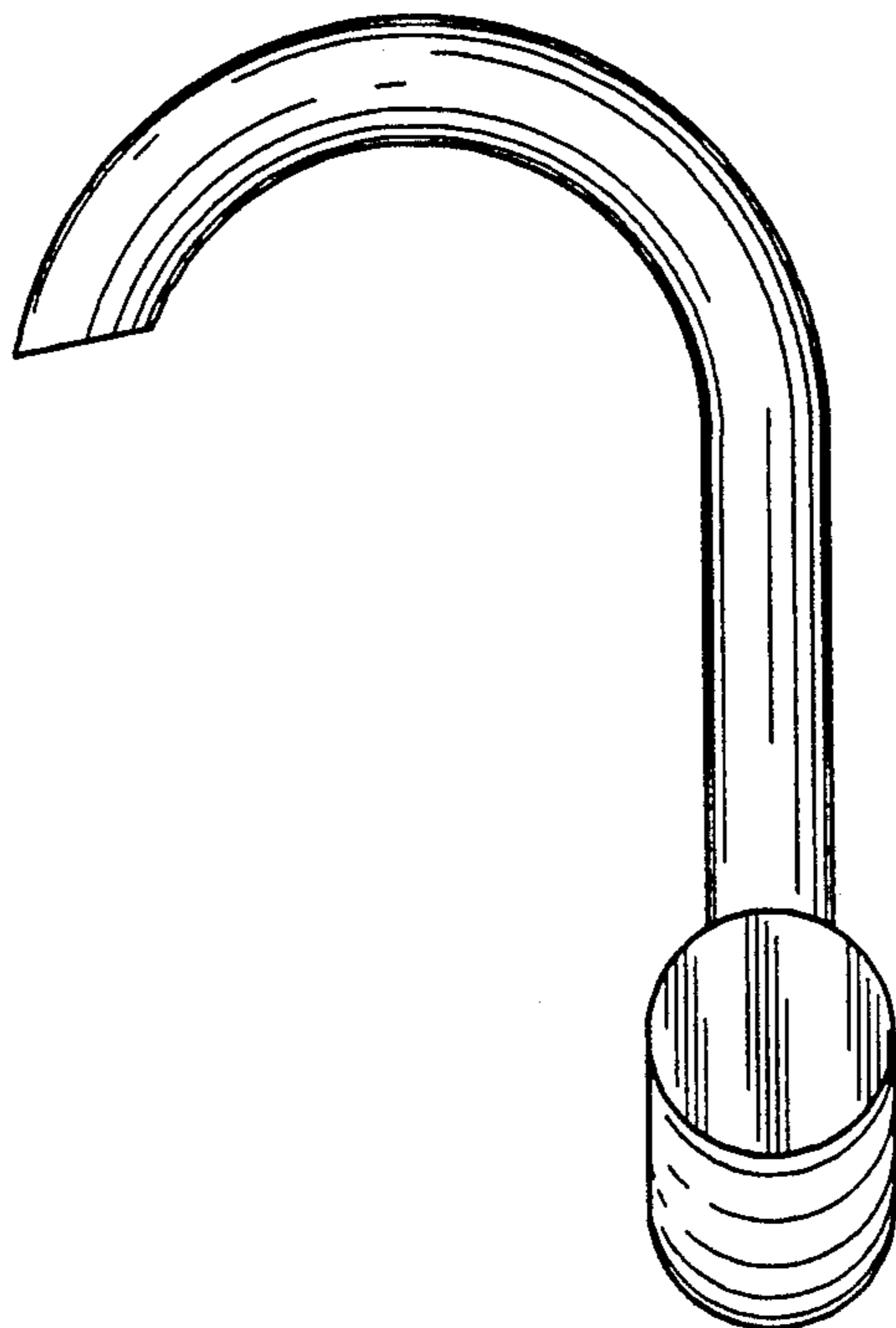


FIG. 4

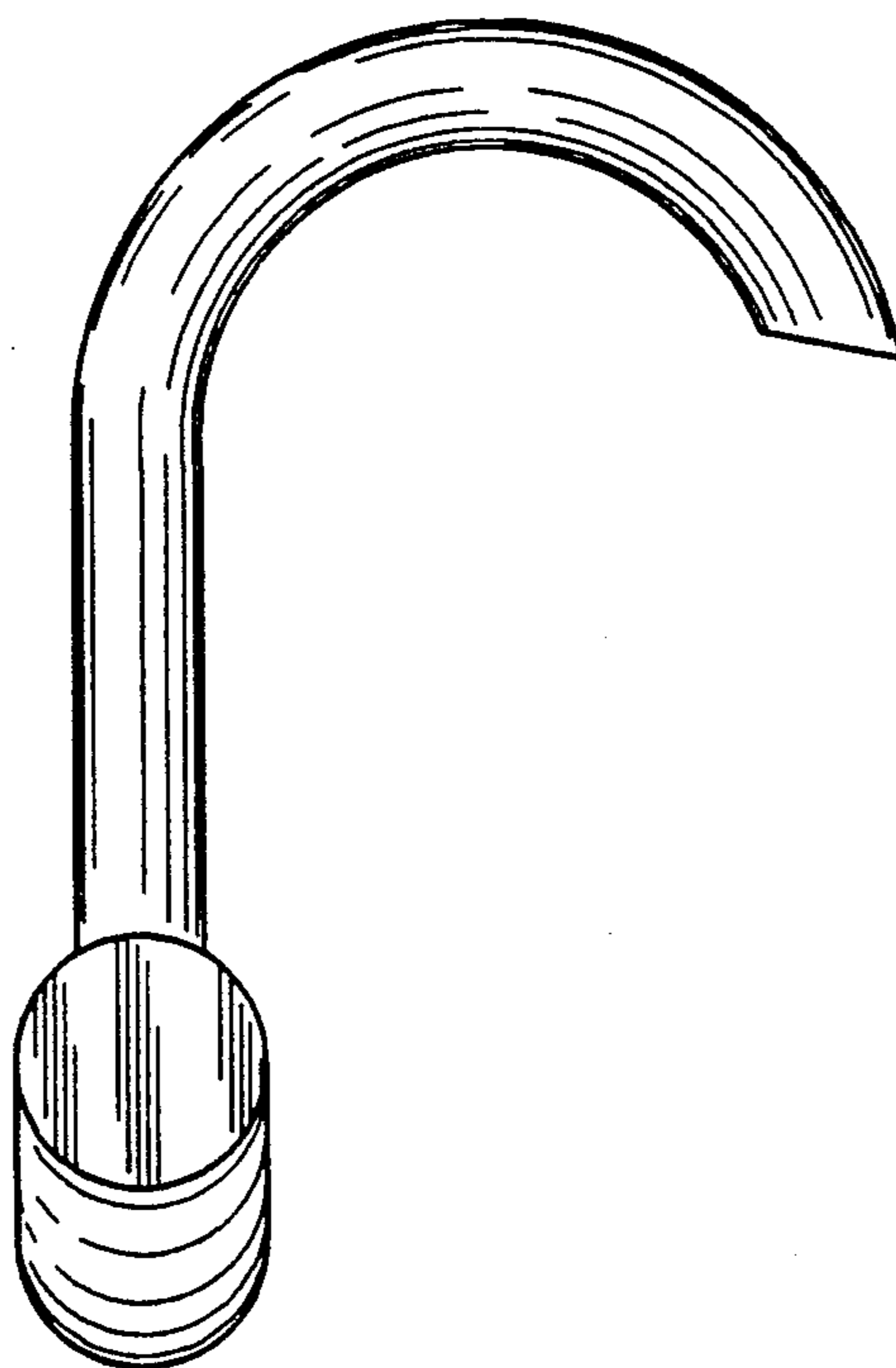


FIG. 5

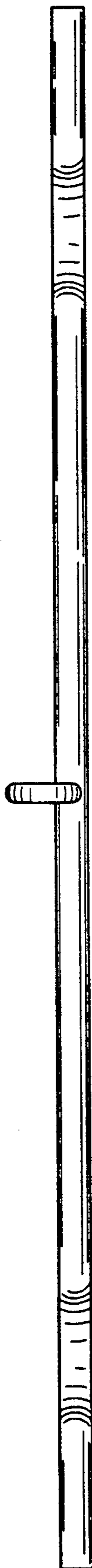


FIG. 6

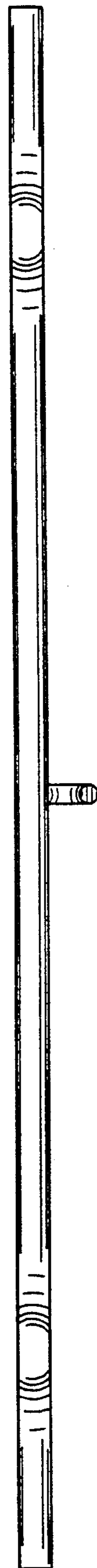


FIG. 7

