



US00D334531S

# United States Patent [19]

[11] Patent Number: **Des. 334,531**

Pelletier et al.

[45] Date of Patent: **\*\* Apr. 6, 1993**

[54] **SUPPORT HANGER FOR A RECREATIONAL VEHICLE AWNING**

4,180,117	12/1979	Greer	160/67
4,331,169	5/1982	Bonser	160/67 X
4,640,332	2/1987	Turner	160/46
4,756,498	7/1988	Frye	248/339
4,862,940	9/1989	Atchison	160/67 X

[75] Inventors: **Ralph W. Pelletier; Ila Pelletier**, both of HC-01, P.O. Box 312, Hardwood, Mich. 49844

*Primary Examiner*—James M. Gandy  
*Attorney, Agent, or Firm*—Pearne, Gordon, McCoy & Granger

[73] Assignee: **The Dometic Corporation, Elkhart, Ind.**

[\*\*] Term: **14 Years**

[57] **CLAIM**

[21] Appl. No.: **349,070**

The ornamental design for a support hanger for a recreational vehicle awning, as shown and described.

[22] Filed: **May 8, 1989**

**DESCRIPTION**

[52] U.S. Cl. .... **D8/373**

[58] Field of Search ..... **D8/373, 367, 349; 160/67, 66, 395, 46; 248/224.3, 273, 339; D20/42, 43, 22; D25/57; D6/512, 513**

FIG. 1 is a top, front and left end perspective view of the support hanger for a recreational vehicle awning showing my new design;

FIG. 2 is a top view thereof;

FIG. 3 is a bottom view thereof;

FIG. 4 is an elevational view of either the front or rear thereof;

FIG. 5 is an end elevational view thereof.

[56] **References Cited**

**U.S. PATENT DOCUMENTS**

D. 289,251	4/1987	Joseph	D6/513
4,033,397	7/1977	McKee	160/67 X

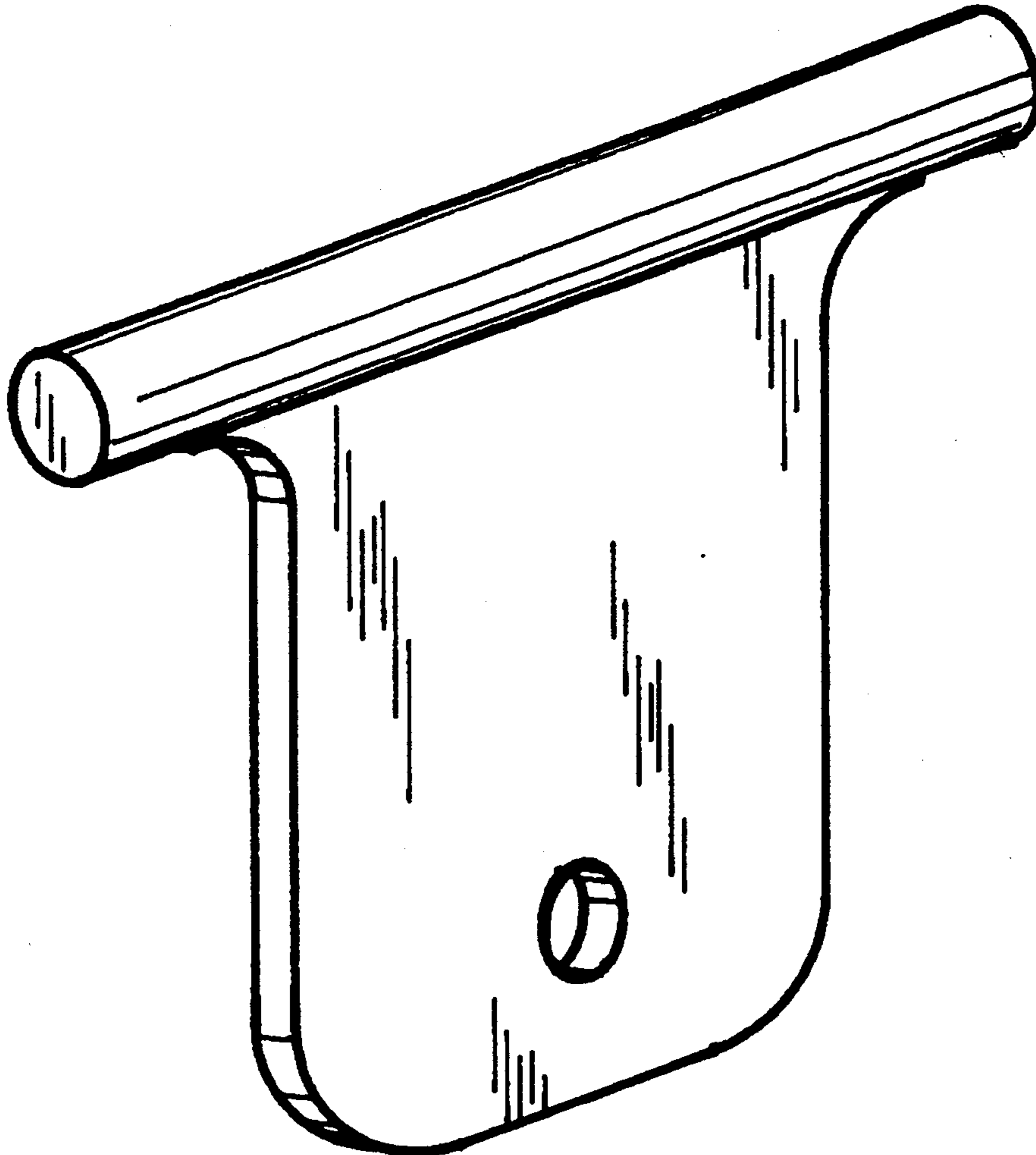


Fig. 1

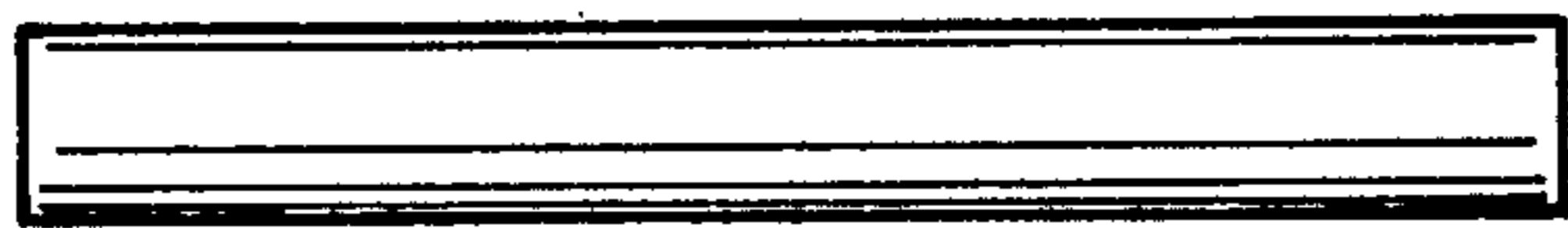
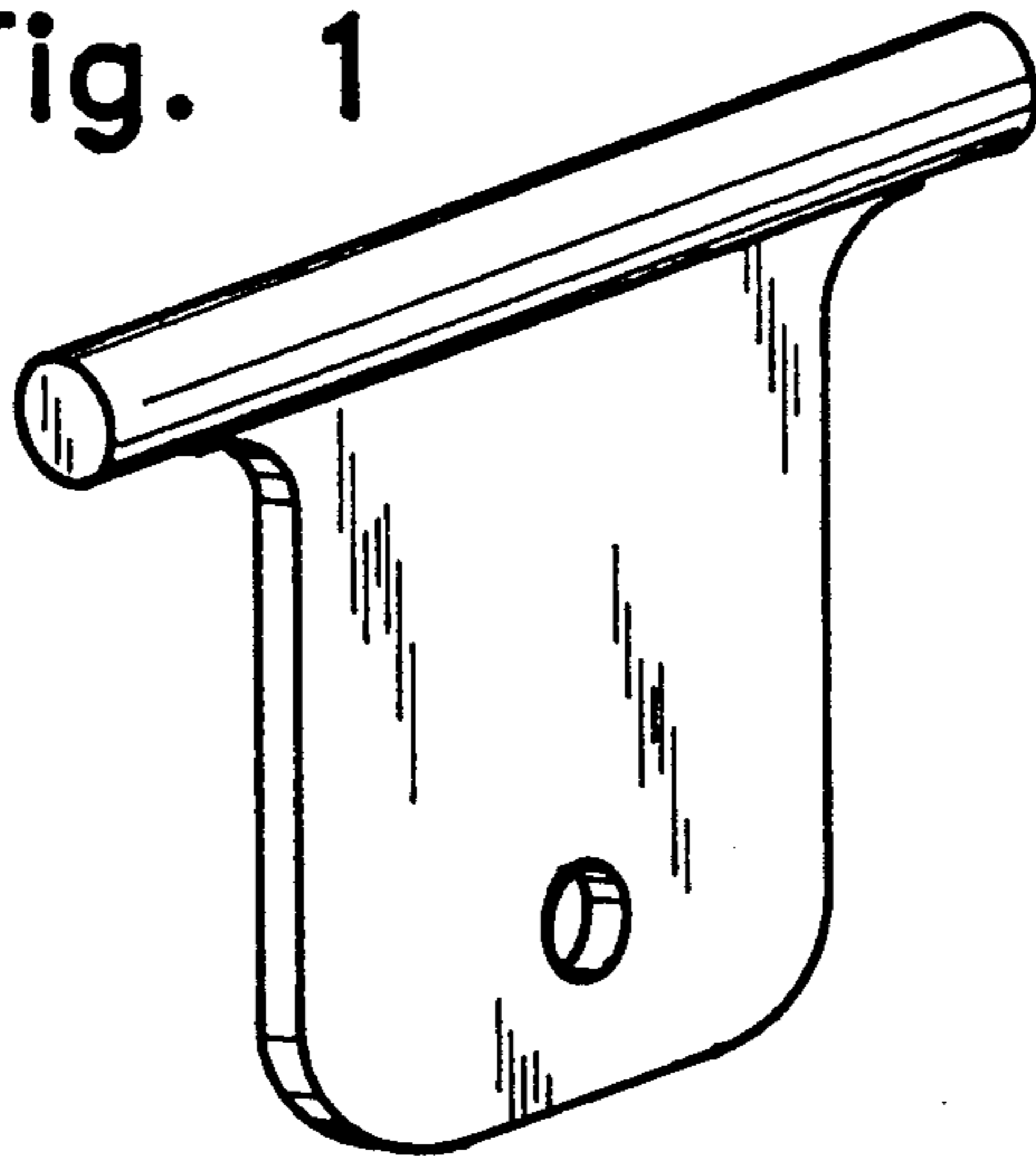


Fig. 2

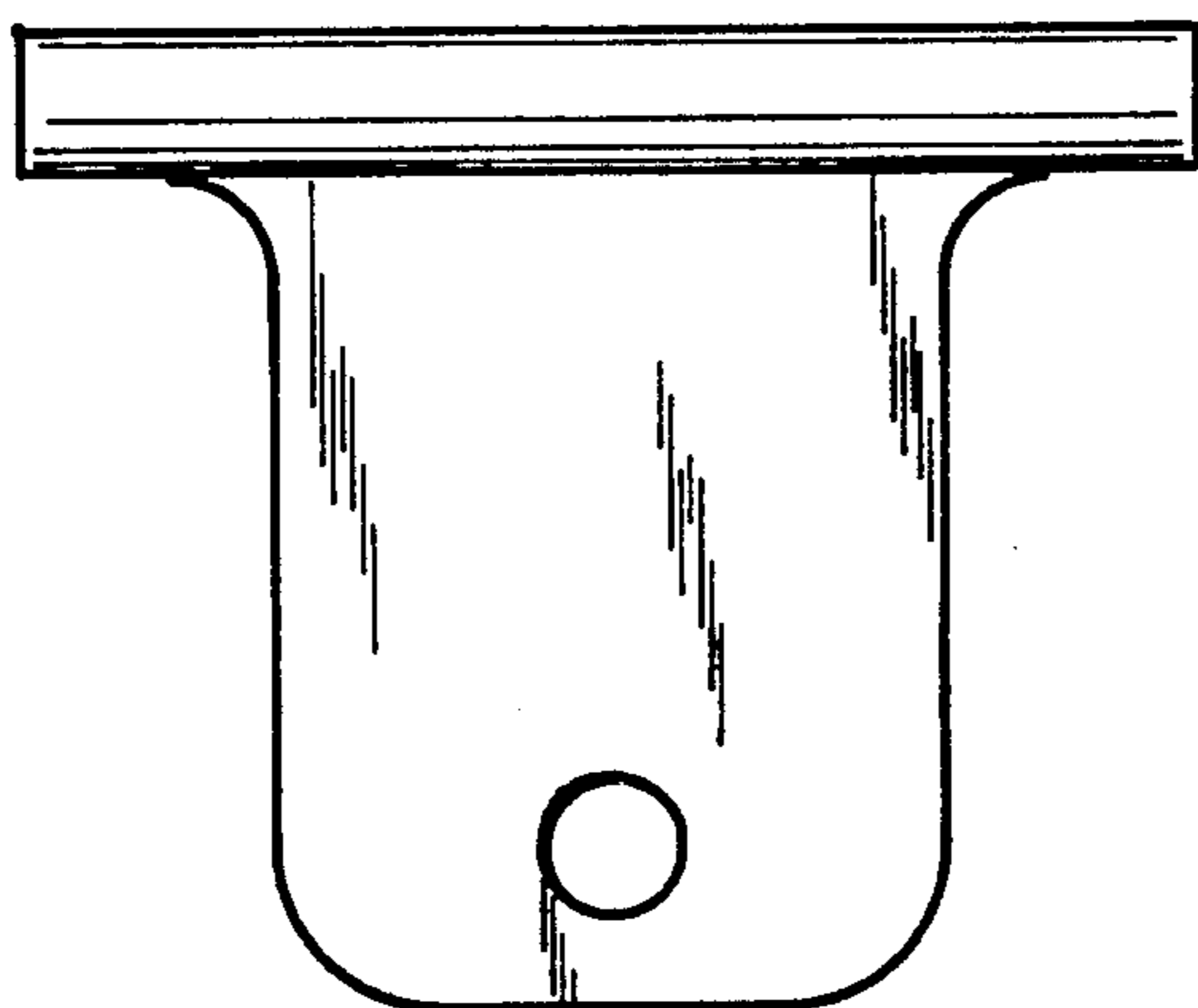


Fig. 4



Fig. 5

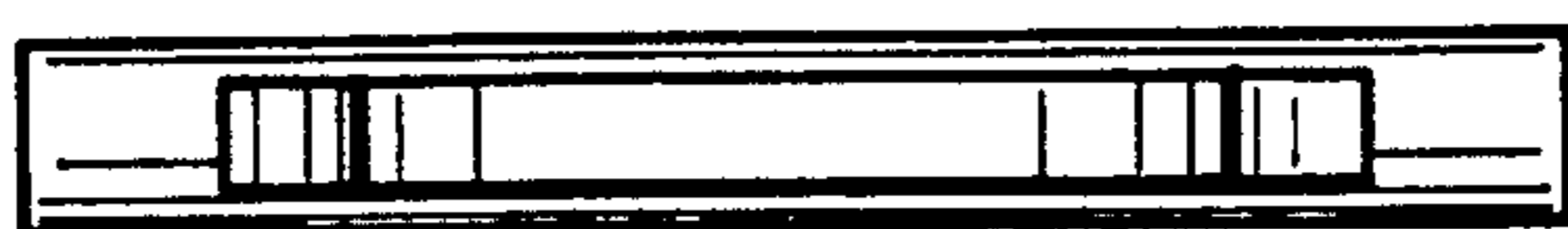


Fig. 3