



US00D334527S

United States Patent [19]

[11] Patent Number: **Des. 334,527**

Fink

[45] Date of Patent: **** Apr. 6, 1993**

[54] **LOCKING ELEMENT TO BE EMPLOYED WITH A CHAIN OR TETHER FOR ATTACHING SKI POLES TO SKIS**

4,988,007 1/1991 Chiarot D6/552

[76] Inventor: **Steve P. Fink, R.R. #3 Box 3572, Hamburg, Pa. 19526**

Primary Examiner—Brian N. Vinson
Attorney, Agent, or Firm—Terry M. Gernstein

[**] Term: **14 Years**

[57] **CLAIM**

[21] Appl. No.: **570,710**

The ornamental design for a locking element to be employed with a chain or tether for attaching ski poles to skis, as shown and described.

[22] Filed: **Aug. 22, 1990**

DESCRIPTION

[52] U.S. Cl. **D8/333**

[58] Field of Search **D6/552; D8/330-331, D8/333; 292/299; 70/14, 51; 224/242, 251**

FIG. 1 is a side perspective view of the locking element to be employed with a chain or tether for attaching ski poles to skis embodying the design of the present invention;

[56] **References Cited**

U.S. PATENT DOCUMENTS

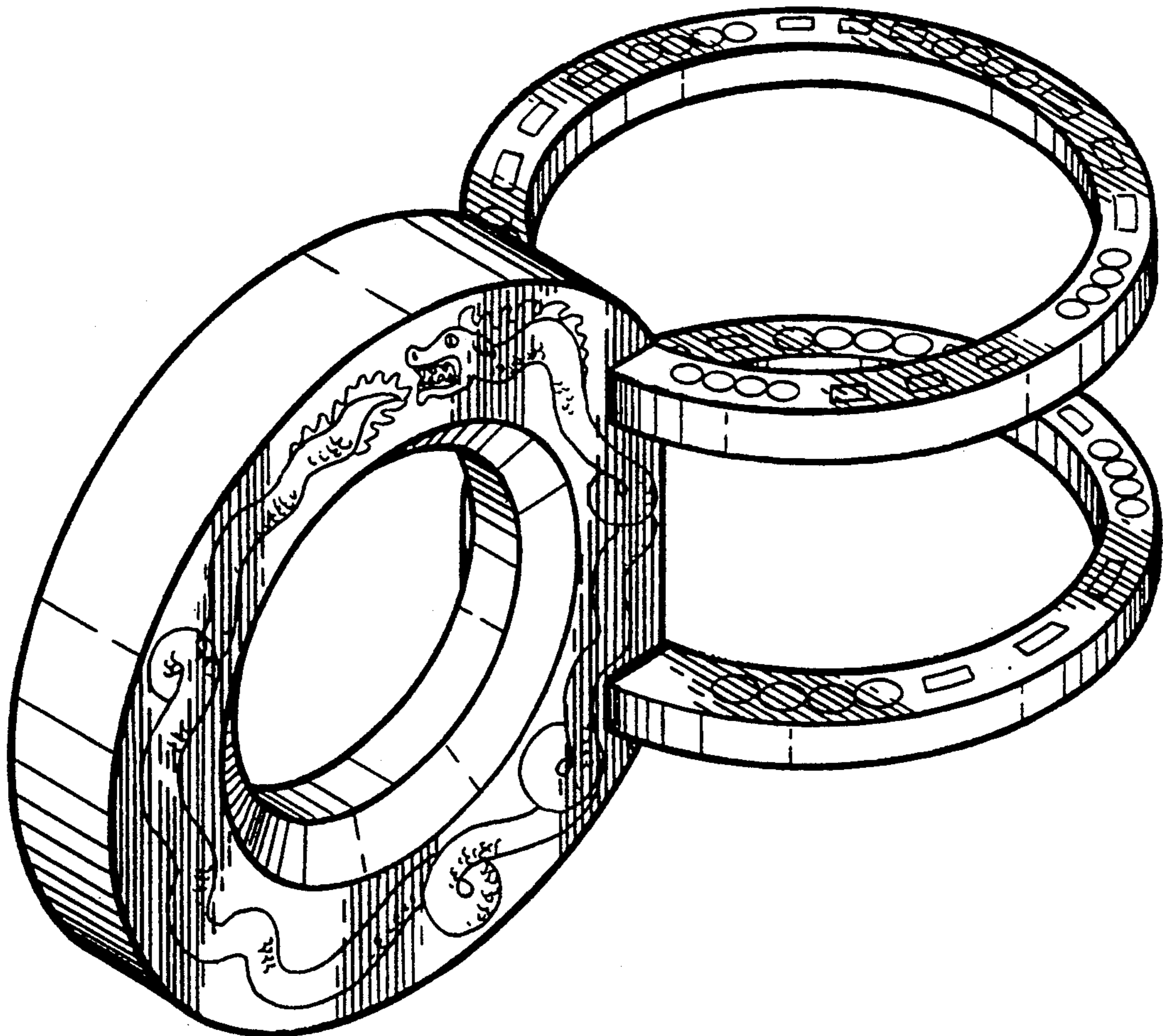
- D. 320,696 10/1991 Butler D3/104 X
- 3,714,803 2/1973 Chenenko .
- 4,267,715 5/1981 Aylesworth .
- 4,792,073 12/1988 Jacober .

FIG. 2 is a front end elevational view thereof;

FIG. 3 is a rear end elevational view thereof;

FIG. 4 is a side elevational view thereof of the side opposite to the side shown in FIG. 1; and,

FIG. 5 is a top plan view thereof, the bottom view being identical to the top shown in FIG. 5.



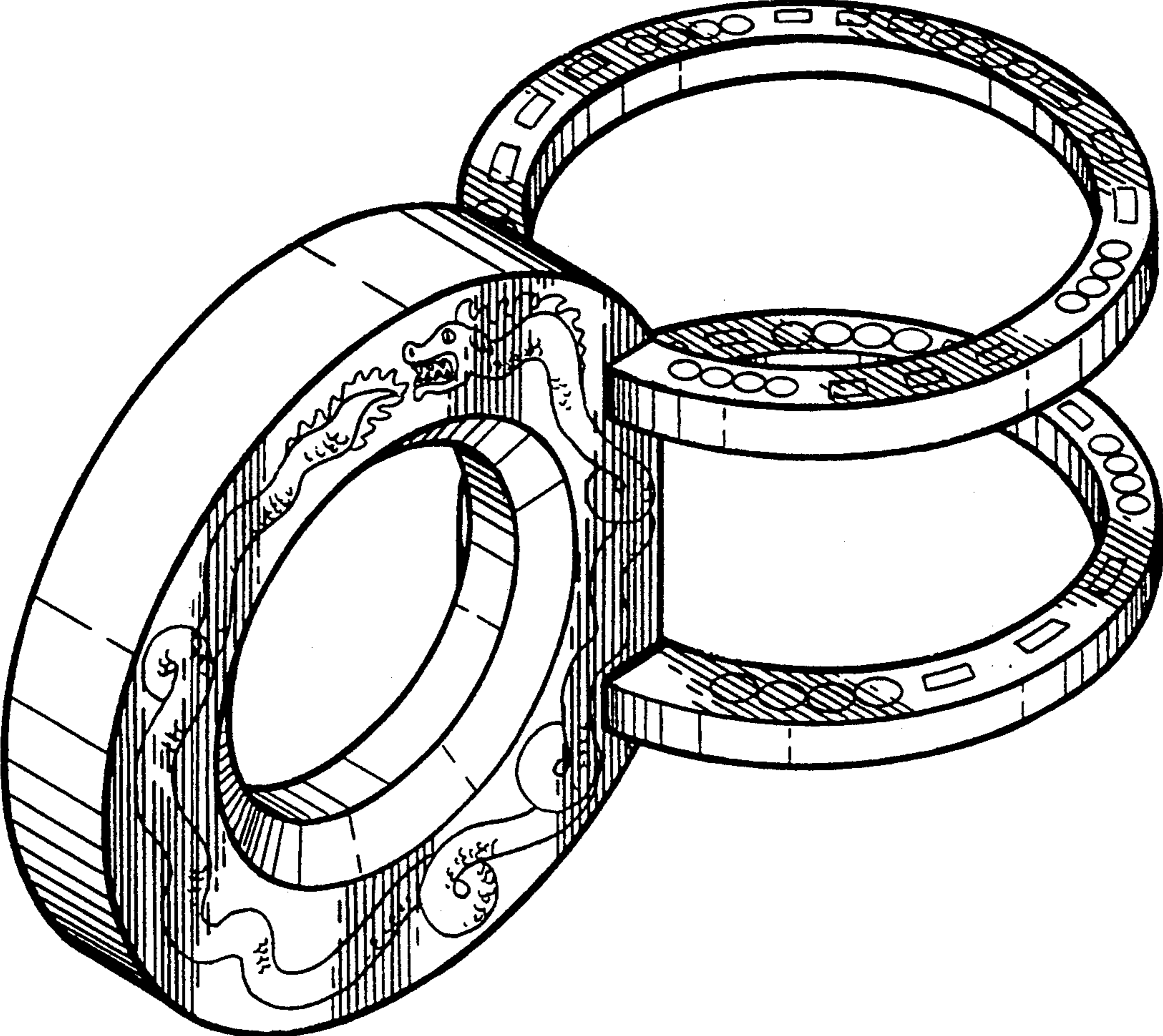


FIG. 1

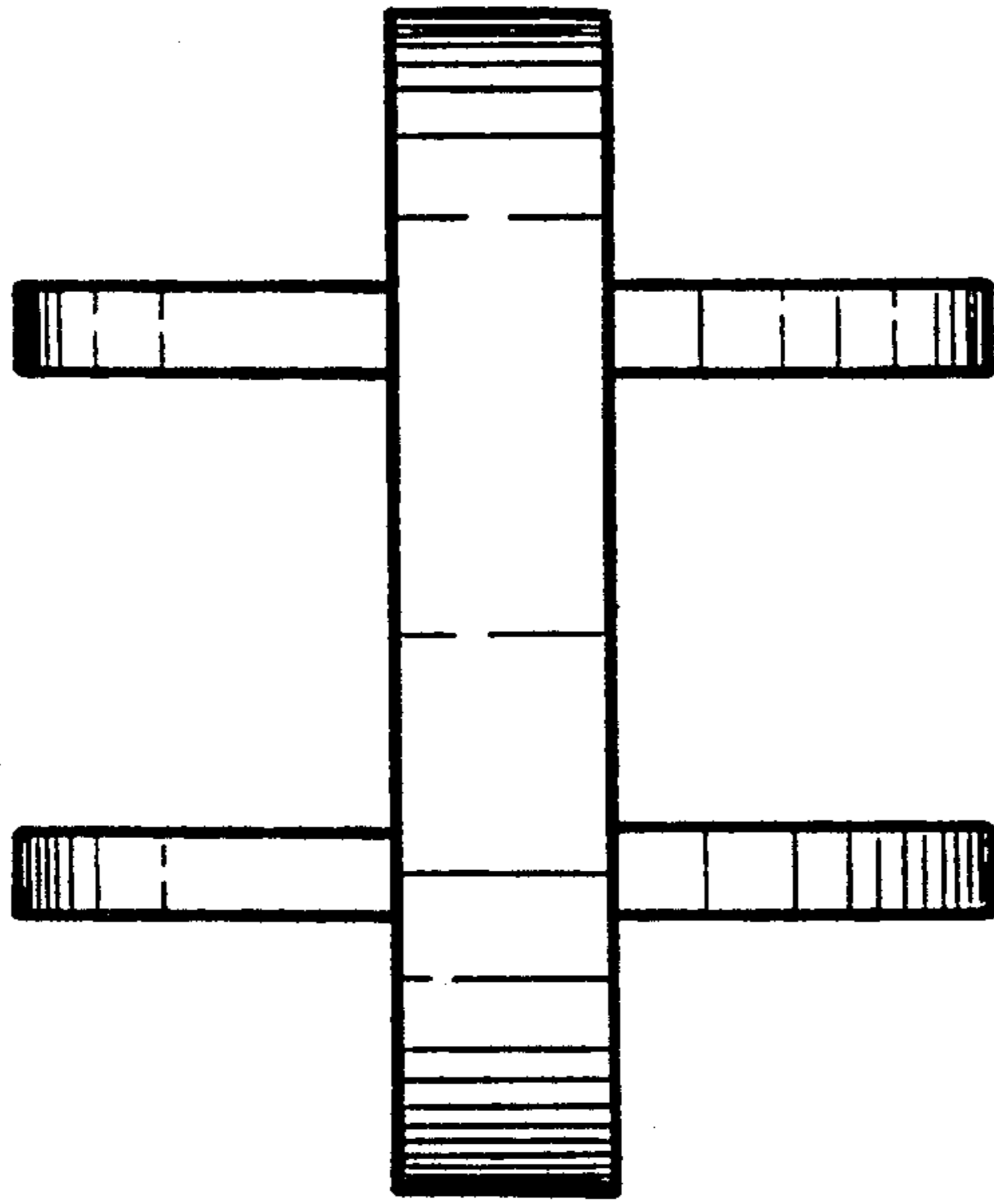


FIG. 2

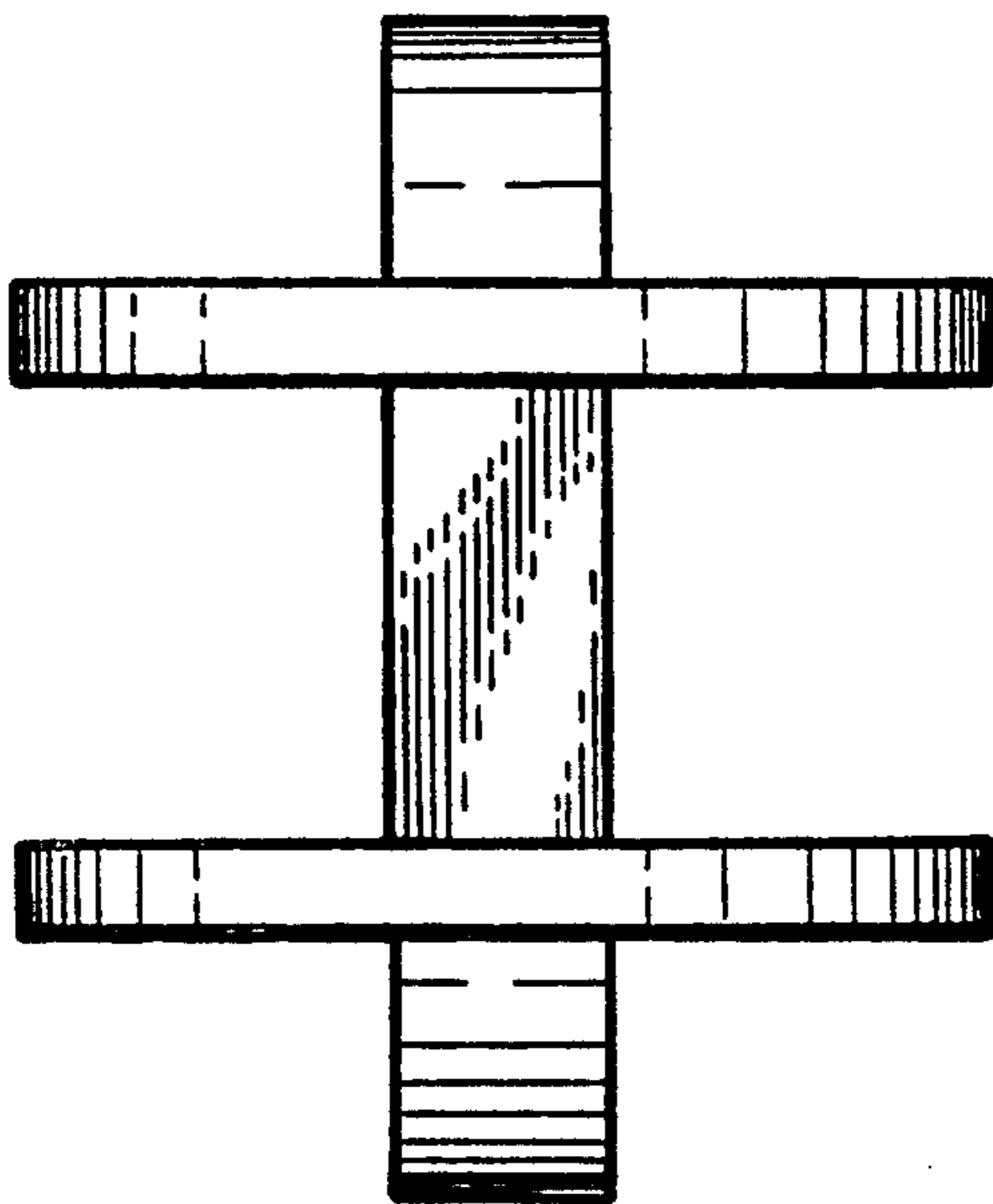


FIG. 3

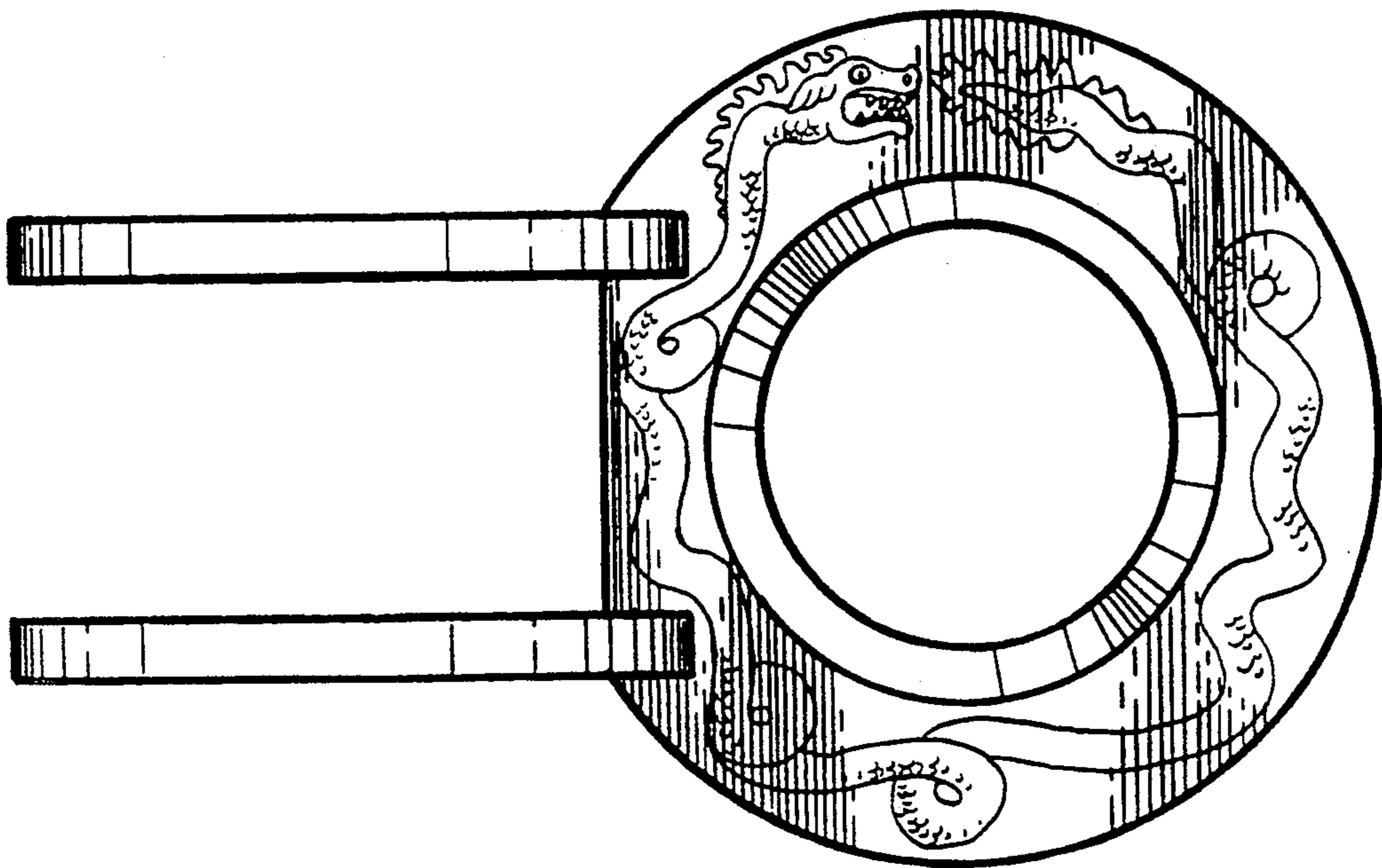


FIG. 4

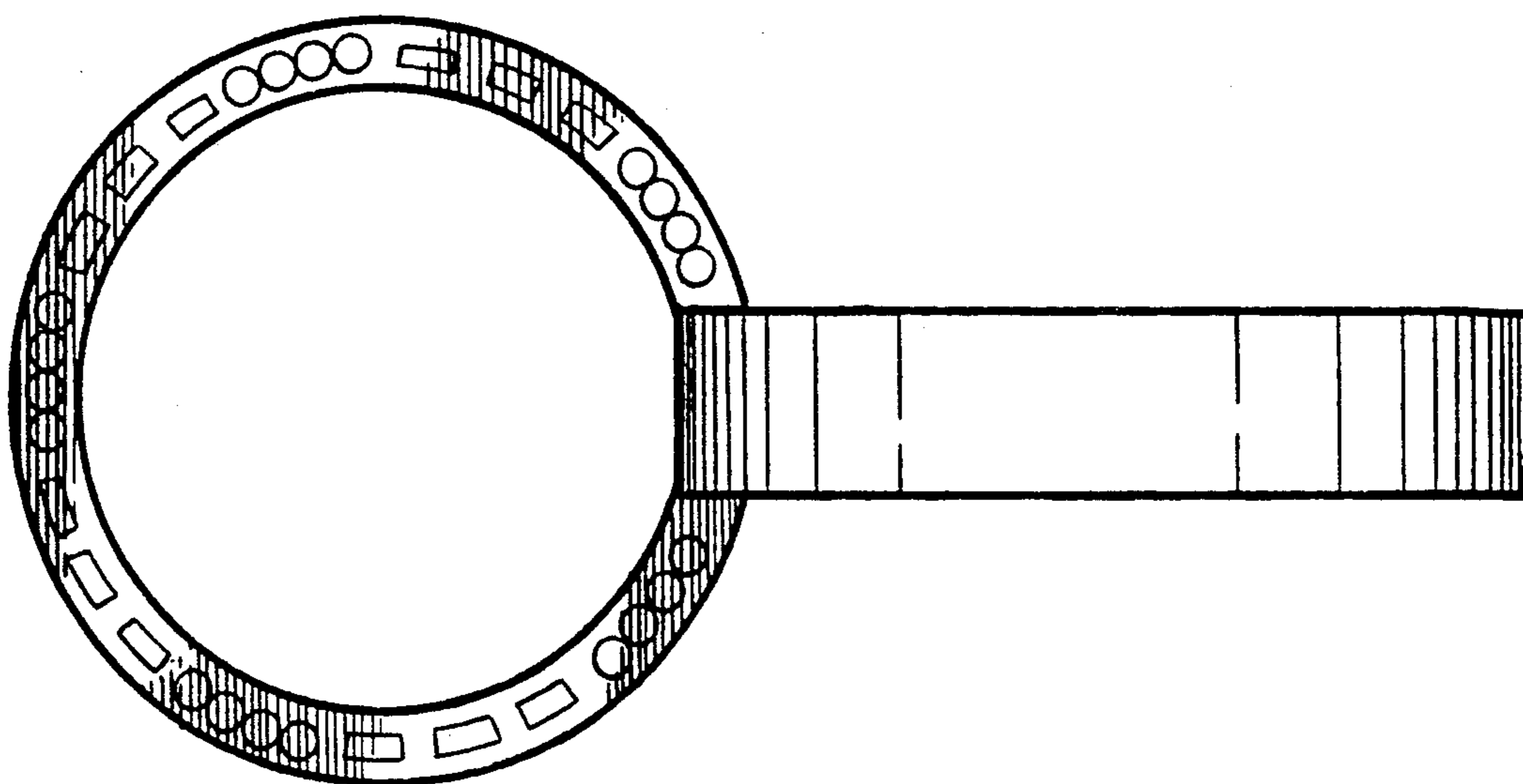


FIG. 5