



US00D334524S

United States Patent [19] Pinkney

[11] Patent Number: **Des. 334,524**

[45] Date of Patent: **** Apr. 6, 1993**

[54] **CLAMP**

4,893,801 1/1990 Flinn 269/6
4,926,722 5/1990 Sorensen et al. 269/6

[75] Inventor: **Kenneth P. Pinkney, Reading, England**

Primary Examiner—Alan P. Douglas
Assistant Examiner—J. H. Musgrove
Attorney, Agent, or Firm—Olson & Hierl, Ltd.

[73] Assignee: **BBA Group PLC, England**

[**] Term: **14 Years**

[57] **CLAIM**

[21] Appl. No.: **649,804**

The ornamental design for a clamp, as shown and described.

[22] Filed: **Feb. 1, 1991**

DESCRIPTION

[52] U.S. Cl. **D8/73**

FIG. 1 is a right side elevational view of a clamp showing my new design;

[58] Field of Search **D8/73, 72, 74; 269/6, 269/214, 212, 215, 249**

FIG. 2 is a left side elevational view thereof;

FIG. 3 is a top plan view thereof;

FIG. 4 is a bottom plan view thereof;

FIG. 5 is a front elevational view thereof;

FIG. 6 is a rear elevational view thereof; and,

FIG. 7 is a front, top and right side perspective view thereof.

[56] **References Cited**

U.S. PATENT DOCUMENTS

D. 297,402 8/1988 Williams D8/73
4,220,322 9/1980 Hobday 269/214 X
4,874,155 10/1989 Goul D8/73 X

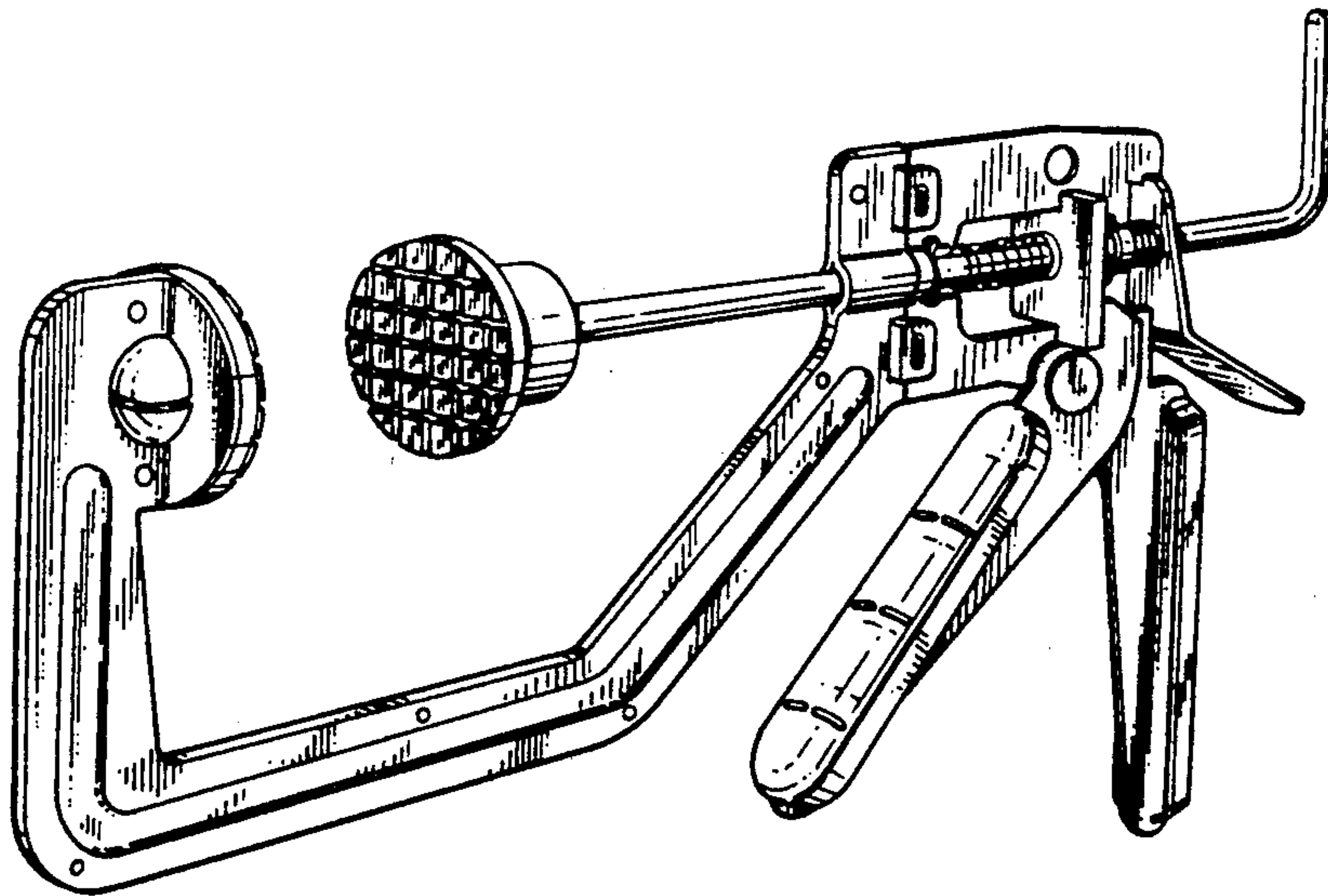


FIG. 1

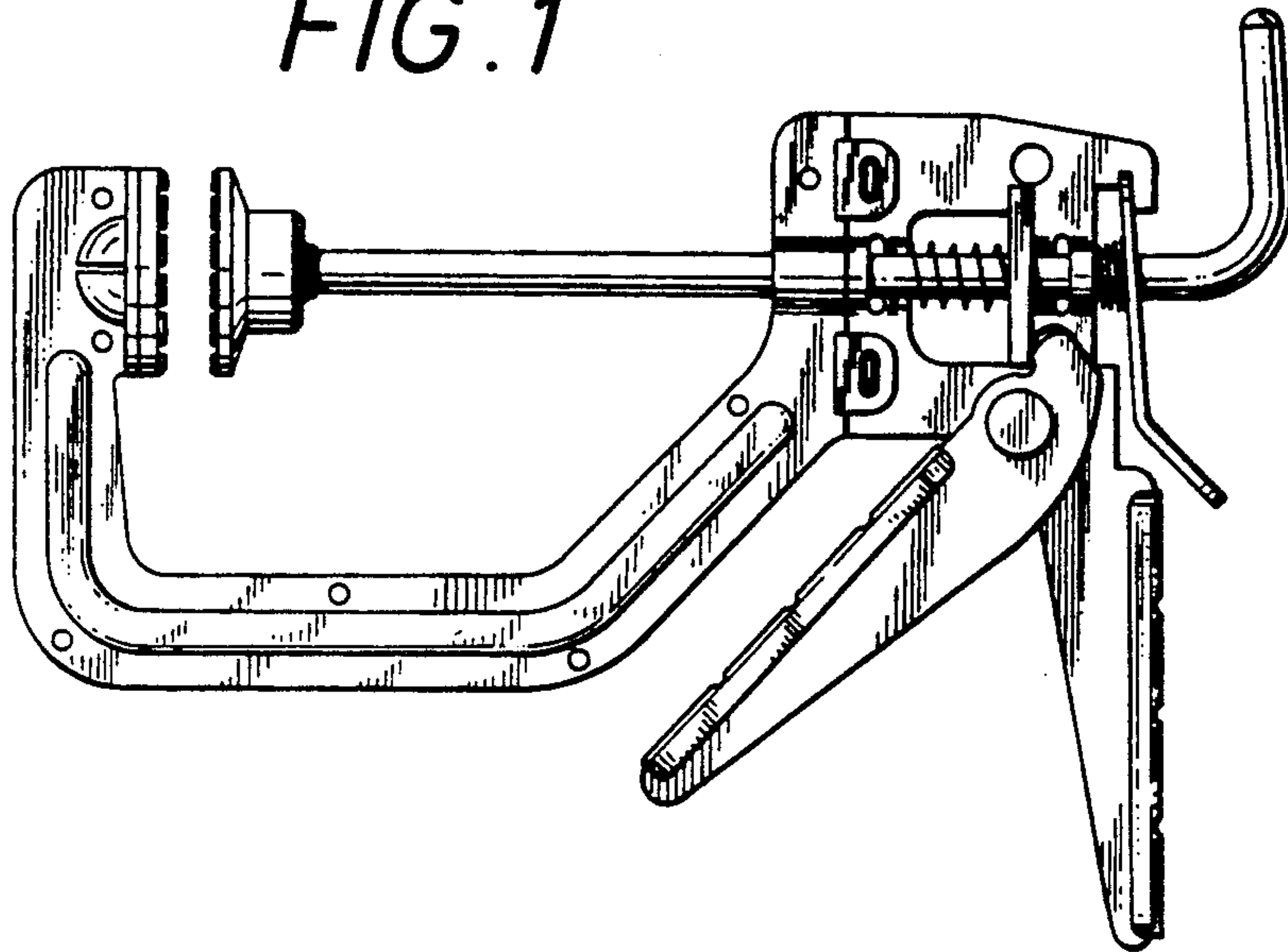


FIG. 2

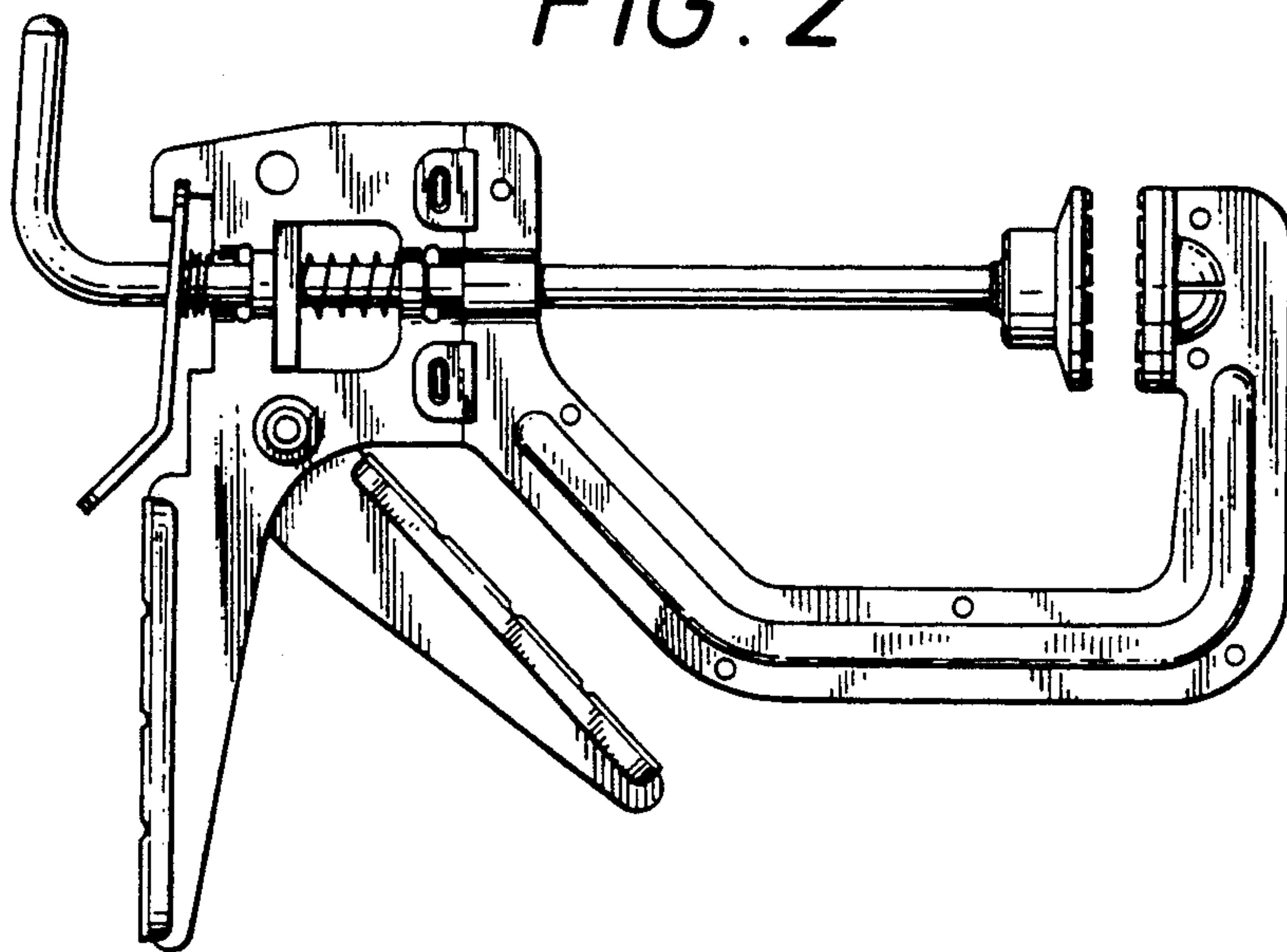


FIG. 3

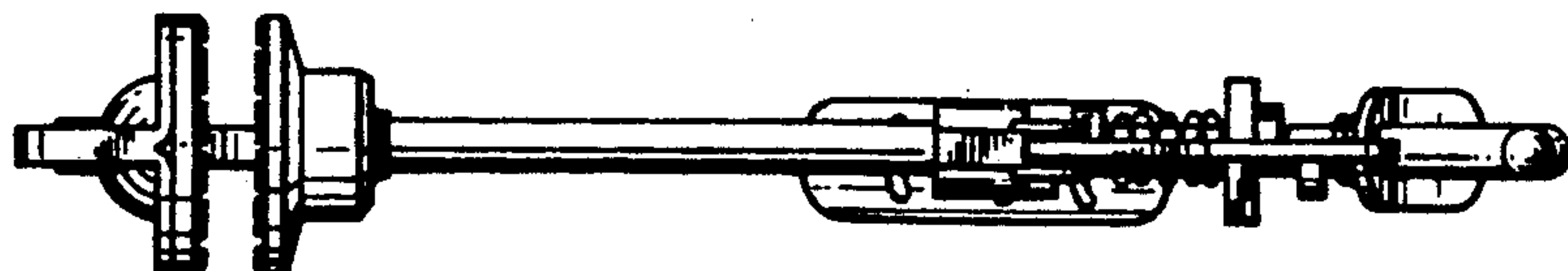


FIG. 4

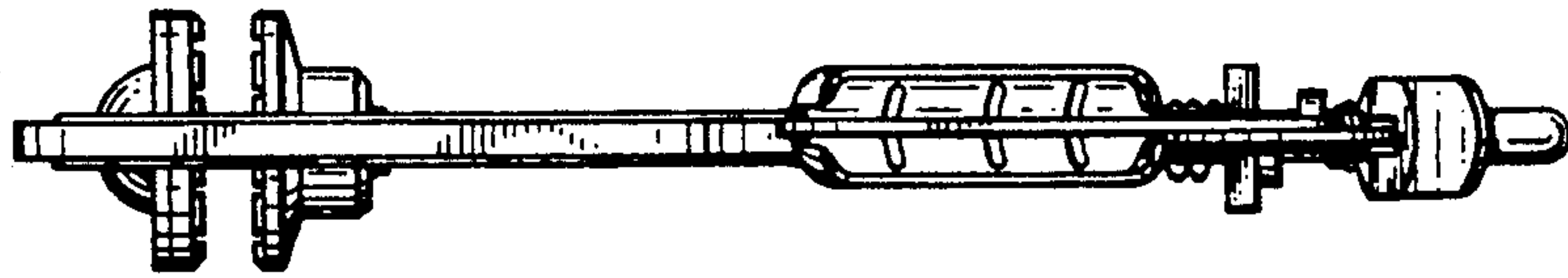


FIG. 5

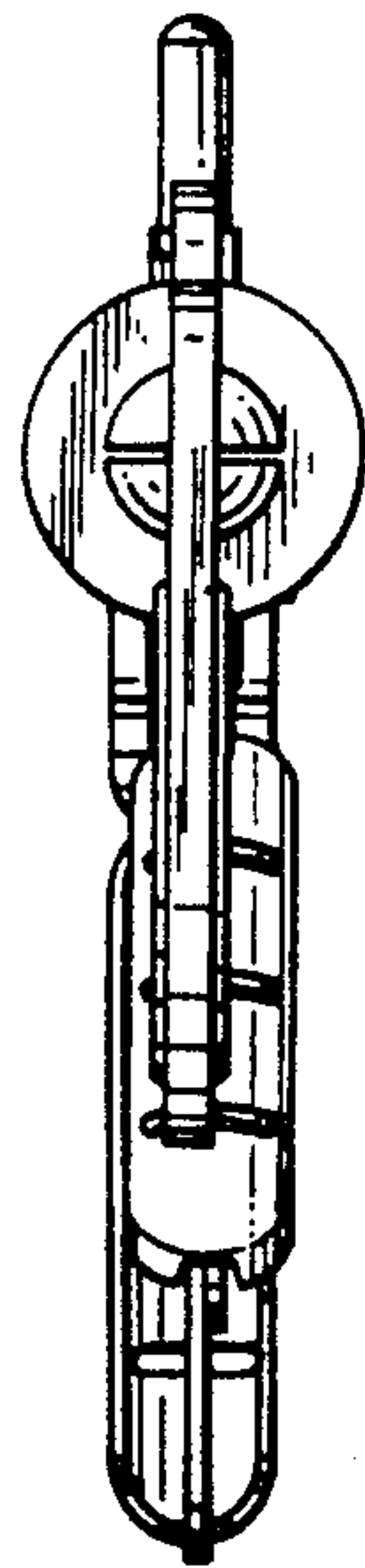


FIG. 6

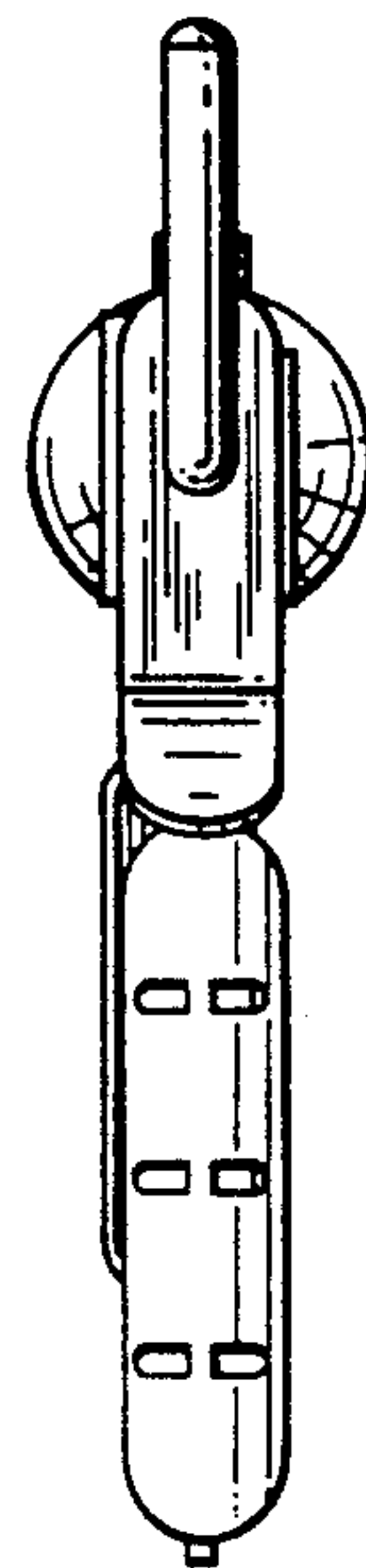
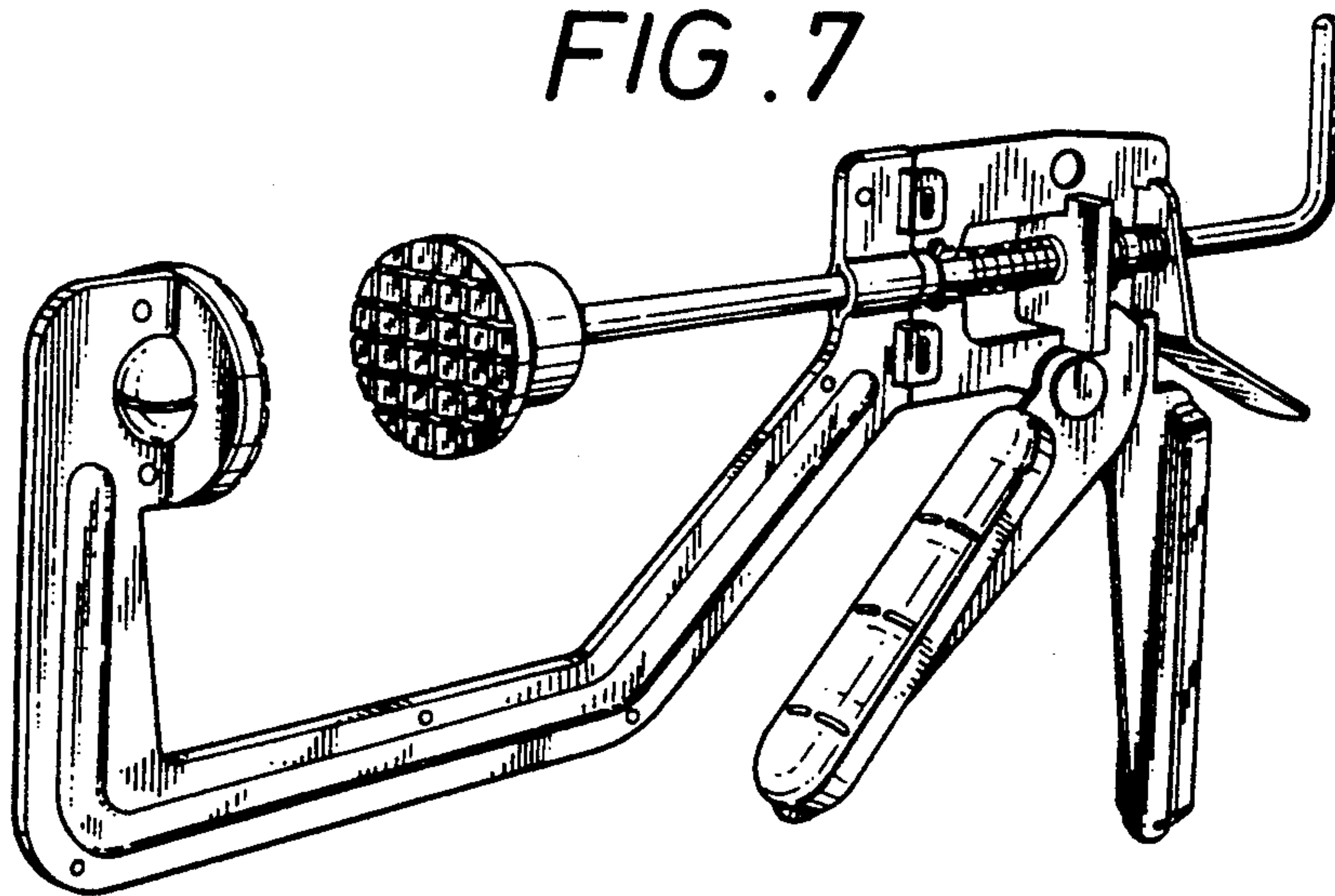


FIG. 7



UNITED STATES PATENT AND TRADEMARK OFFICE
CERTIFICATE OF CORRECTION

PATENT NO. : Des. 334,524
DATED : April 6, 1993
INVENTOR(S) : Kenneth P. Pinkney

It is certified that error appears in the above-identified patent and that said Letters Patent is hereby corrected as shown below:

Title page, first column, following the line

"[22] Filed: Feb. 1, 1991", insert

--[30] Foreign Application Priority Data

Aug. 23, 1990 [GB] Fed. Rep. of Germany.....M 9005630.2--

Signed and Sealed this
Twentieth Day of September, 1994

Attest:



Attesting Officer

BRUCE LEHMAN

Commissioner of Patents and Trademarks