



US00D334523S

# United States Patent [19]

Hoshino et al.

[11] Patent Number: **Des. 334,523**

[45] Date of Patent: **\*\* Apr. 6, 1993**

[54] **CIRCULAR SAW**

[75] Inventors: **Kuyoshi Hoshino, Clemson; James R. Sistare, Pickens, both of S.C.**

[73] Assignee: **Ryobi Motor Products, Easley, S.C.**

[\*\*] Term: **14 Years**

[21] Appl. No.: **569,163**

[22] Filed: **Aug. 17, 1990**

[52] U.S. Cl. .... **D8/66; D8/69**

[58] Field of Search ..... **D8/61-68; 30/390, 389, 388, 387, 377, 391**

3,733,701	5/1973	Lubas .....	30/391
4,516,324	5/1985	Heininger, Jr. et al. ....	30/377
4,777,726	10/1988	Flowers .....	30/374
4,856,394	8/1989	Clowers .....	83/56

### OTHER PUBLICATIONS

Sears Owners Manual for 7½ Inch Circular Saw.

*Primary Examiner*—Carmen H. Vales-Lado

*Assistant Examiner*—J. H. Musgrove

*Attorney, Agent, or Firm*—Brooks & Kushman

### [57] CLAIM

The ornamental design of a circular saw, as shown.

### DESCRIPTION

FIG. 1 is a right side and rear perspective view of a circular saw showing our new design;

FIG. 2 is a top, left side and front perspective view thereof;

FIG. 3 is a front elevational view thereof;

FIG. 4 is a rear elevational view thereof;

FIG. 5 is a right side elevational view thereof;

FIG. 6 is a left side elevational view thereof;

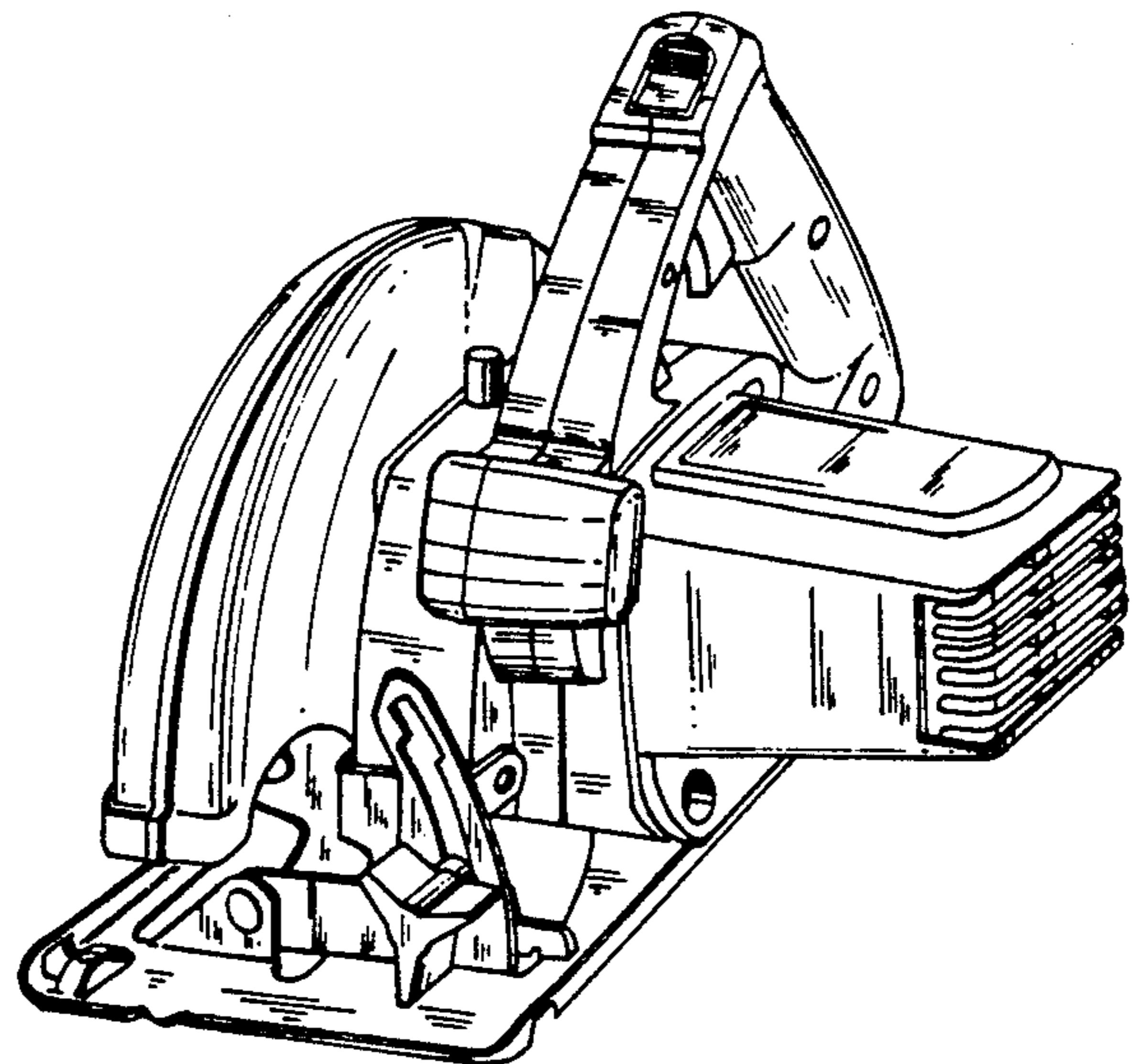
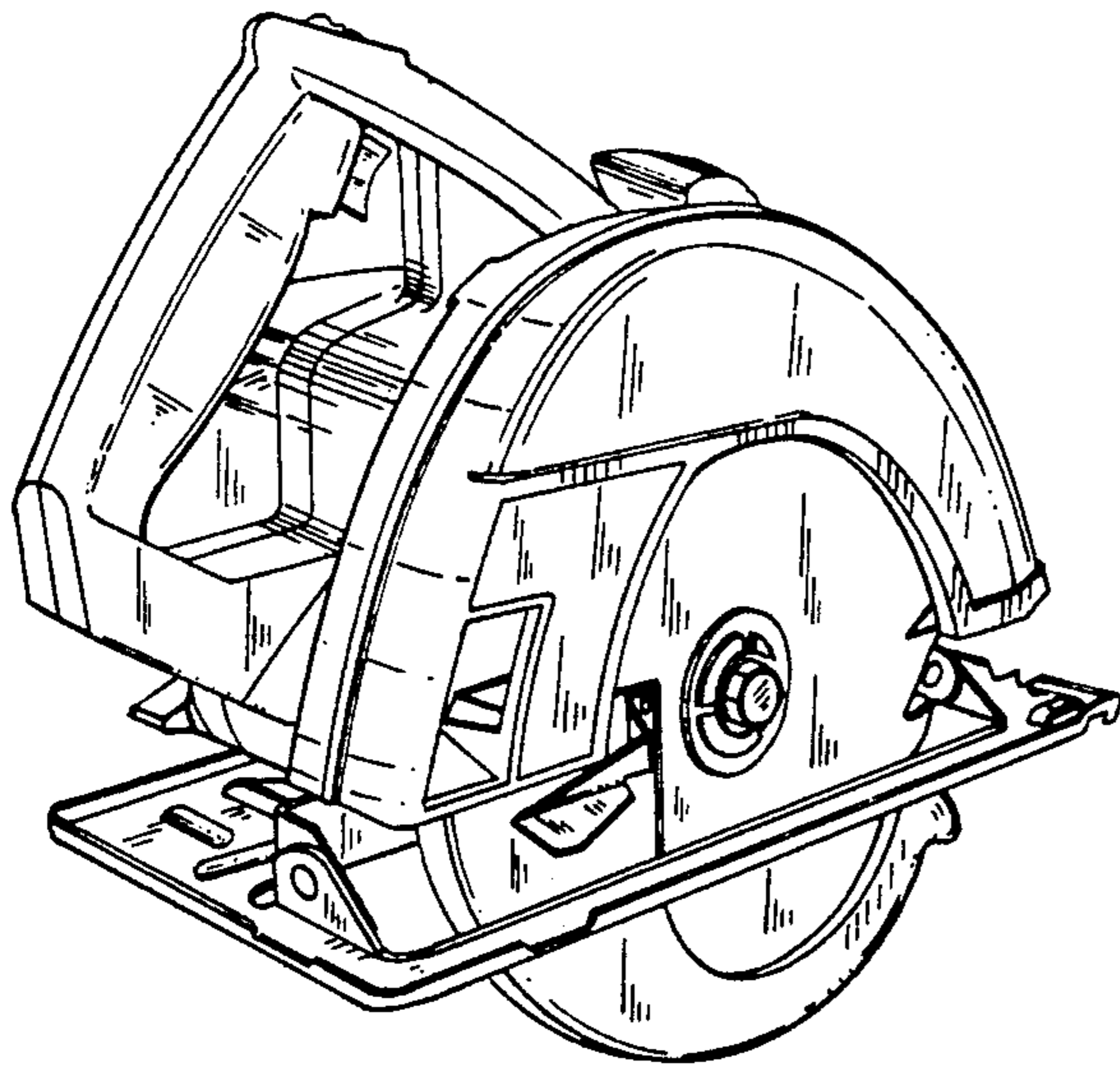
FIG. 7 is a top plan view thereof; and,

FIG. 8 is a bottom plan view thereof.

### [56] References Cited

#### U.S. PATENT DOCUMENTS

169,361	4/1953	Dudek .....	D8/66
177,767	5/1956	Seeger .....	D8/66
180,181	4/1957	Ernest .....	D8/66
D. 259,235	5/1981	Dibbern et al. ....	D8/66
D. 262,772	1/1982	Glass et al. ....	D8/66
D. 313,155	12/1990	Somers .....	D8/66
D. 315,854	4/1991	Kawakami et al. ....	D8/66
D. 320,729	10/1991	Zurwelle .....	D8/66
D. 326,399	5/1992	Fushiya et al. ....	D8/66
3,242,953	3/1966	McCarty et al. ....	30/375



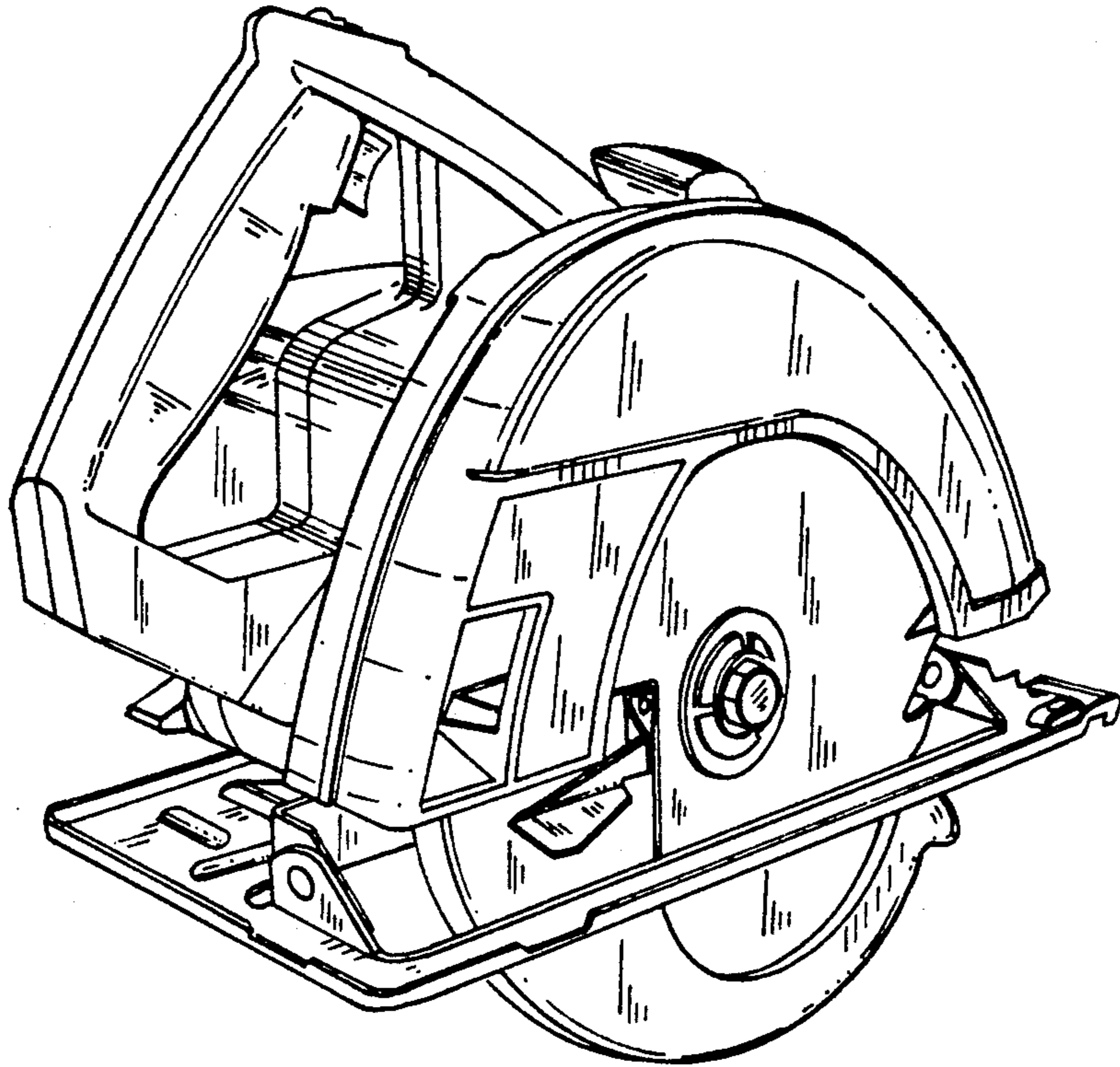


FIG. 1

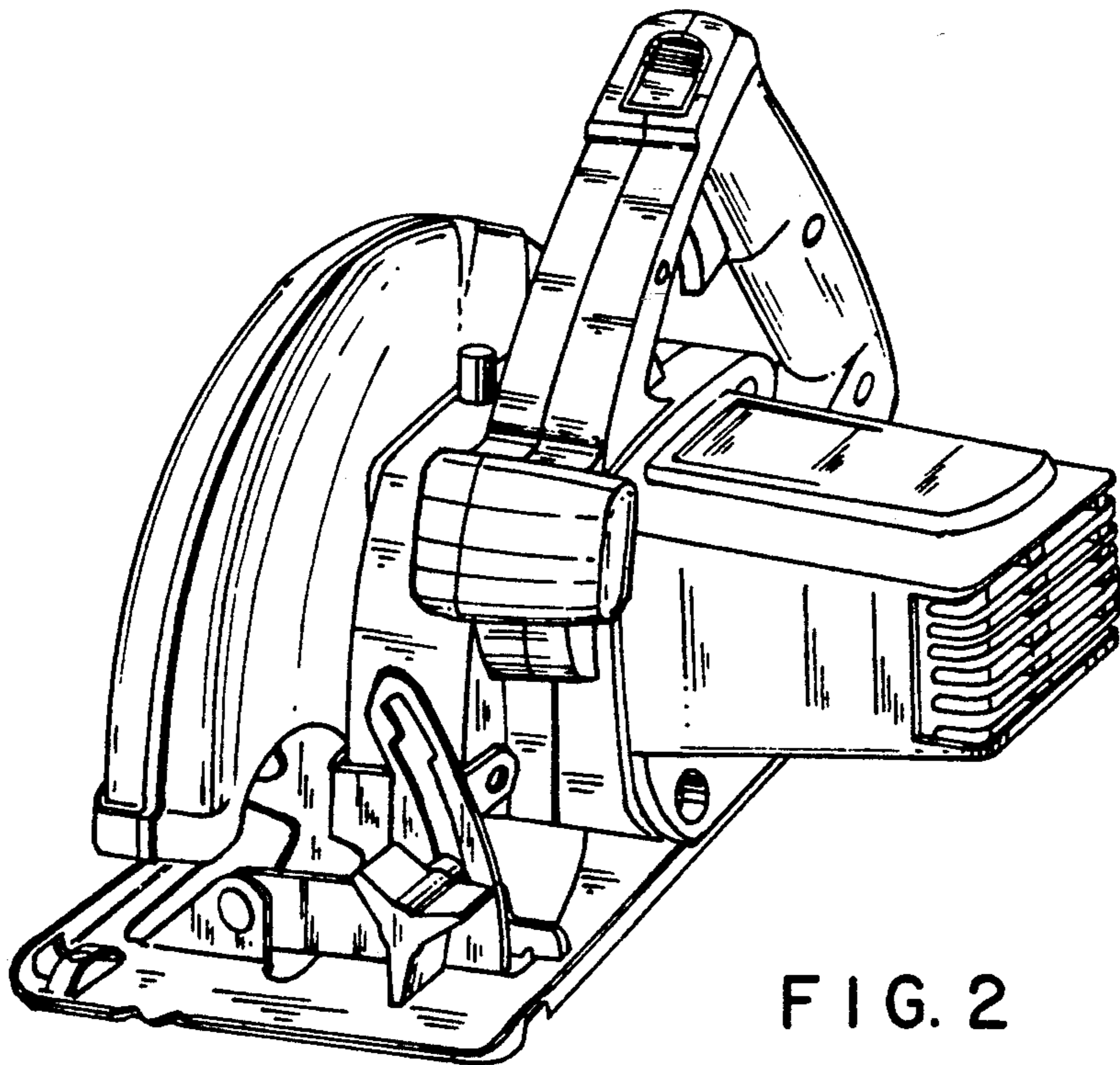


FIG. 2

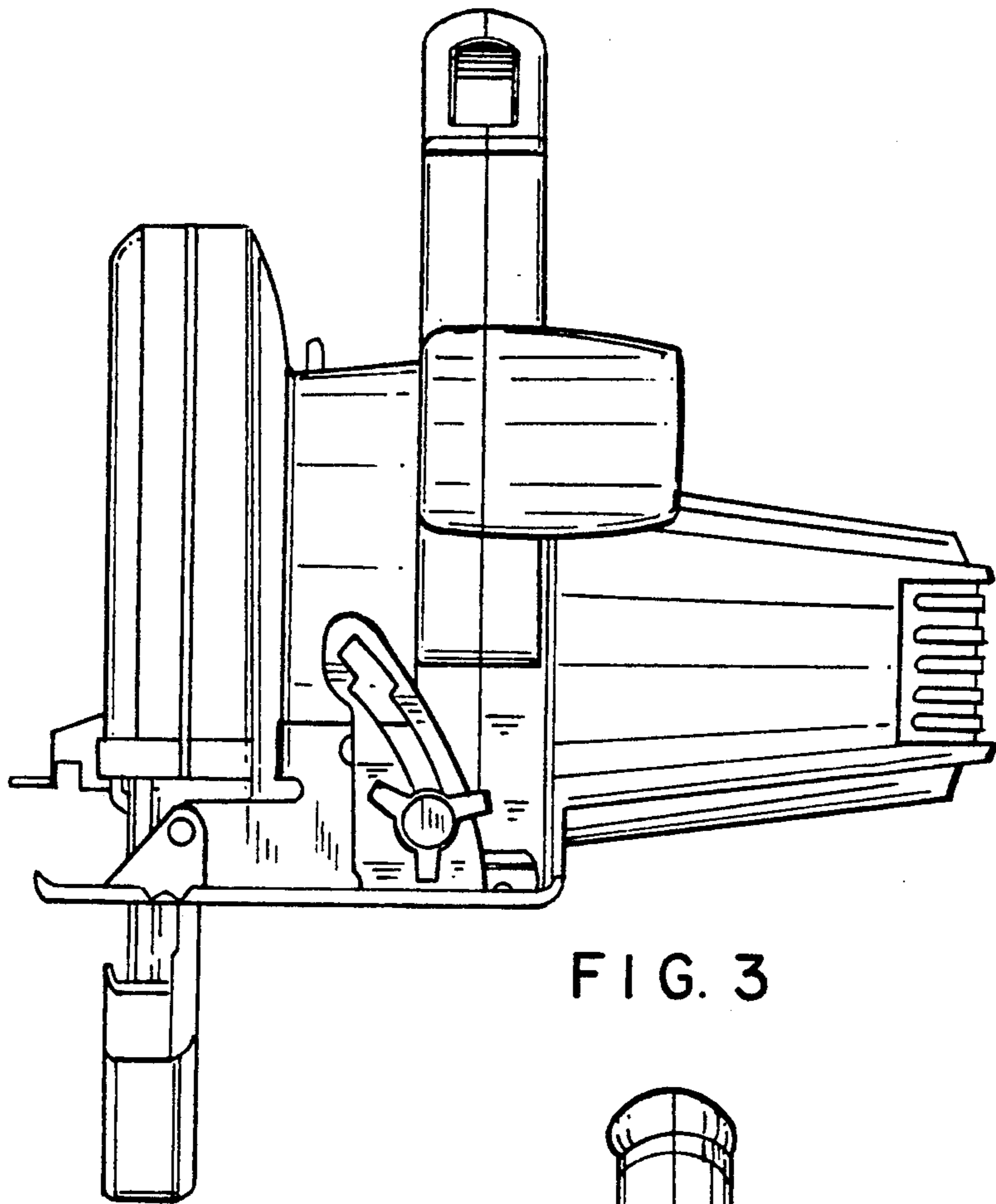


FIG. 3

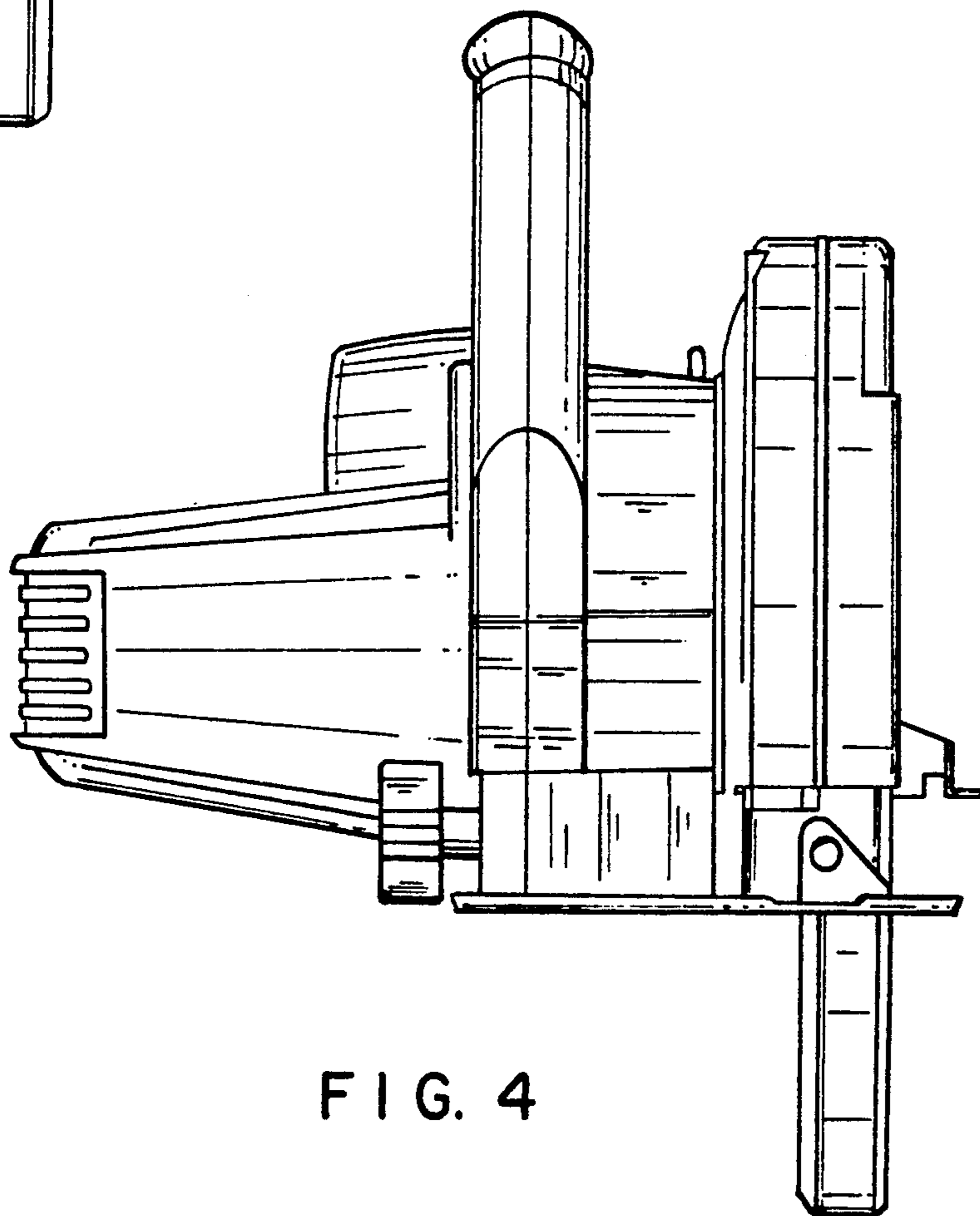


FIG. 4

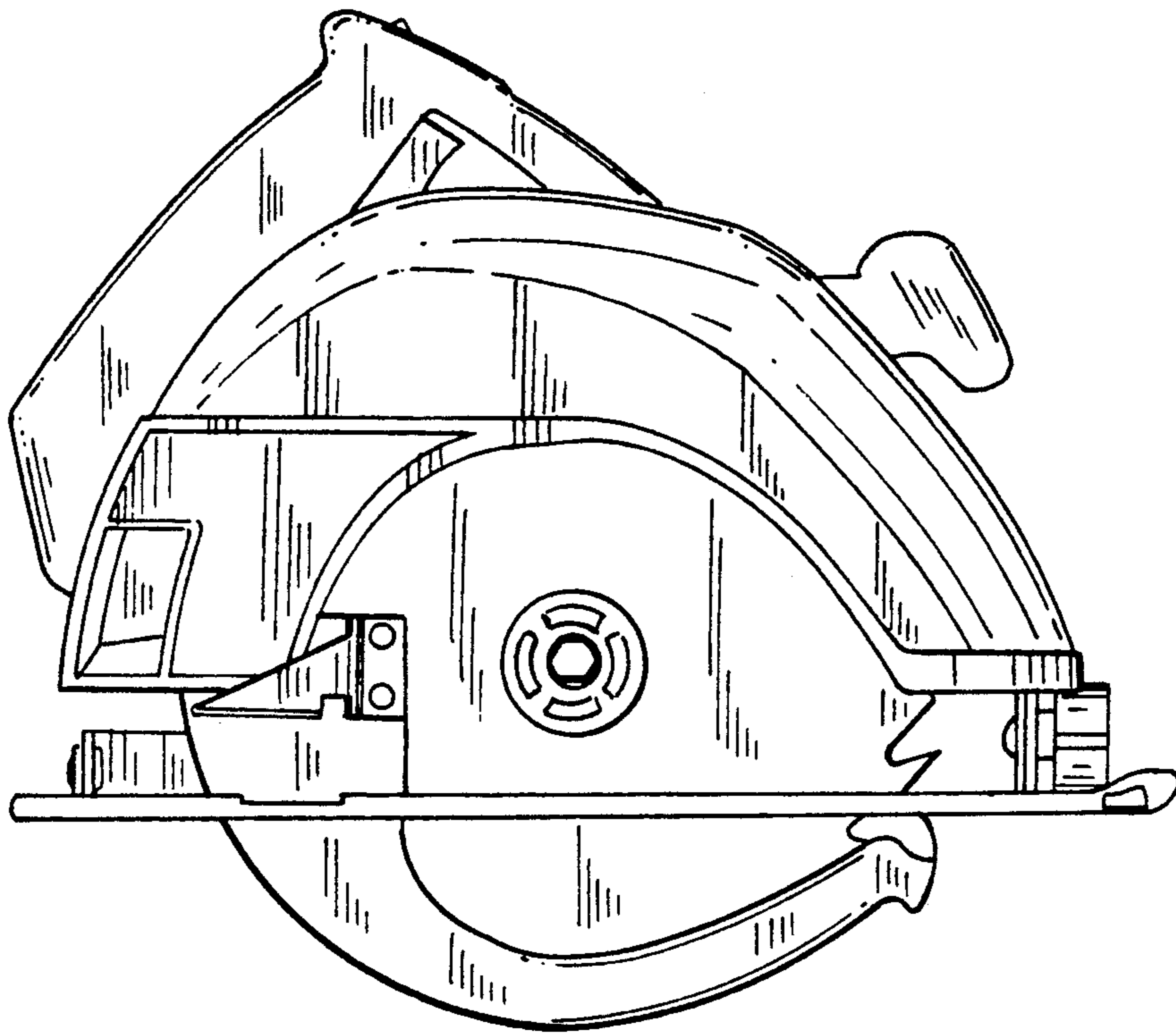


FIG. 5

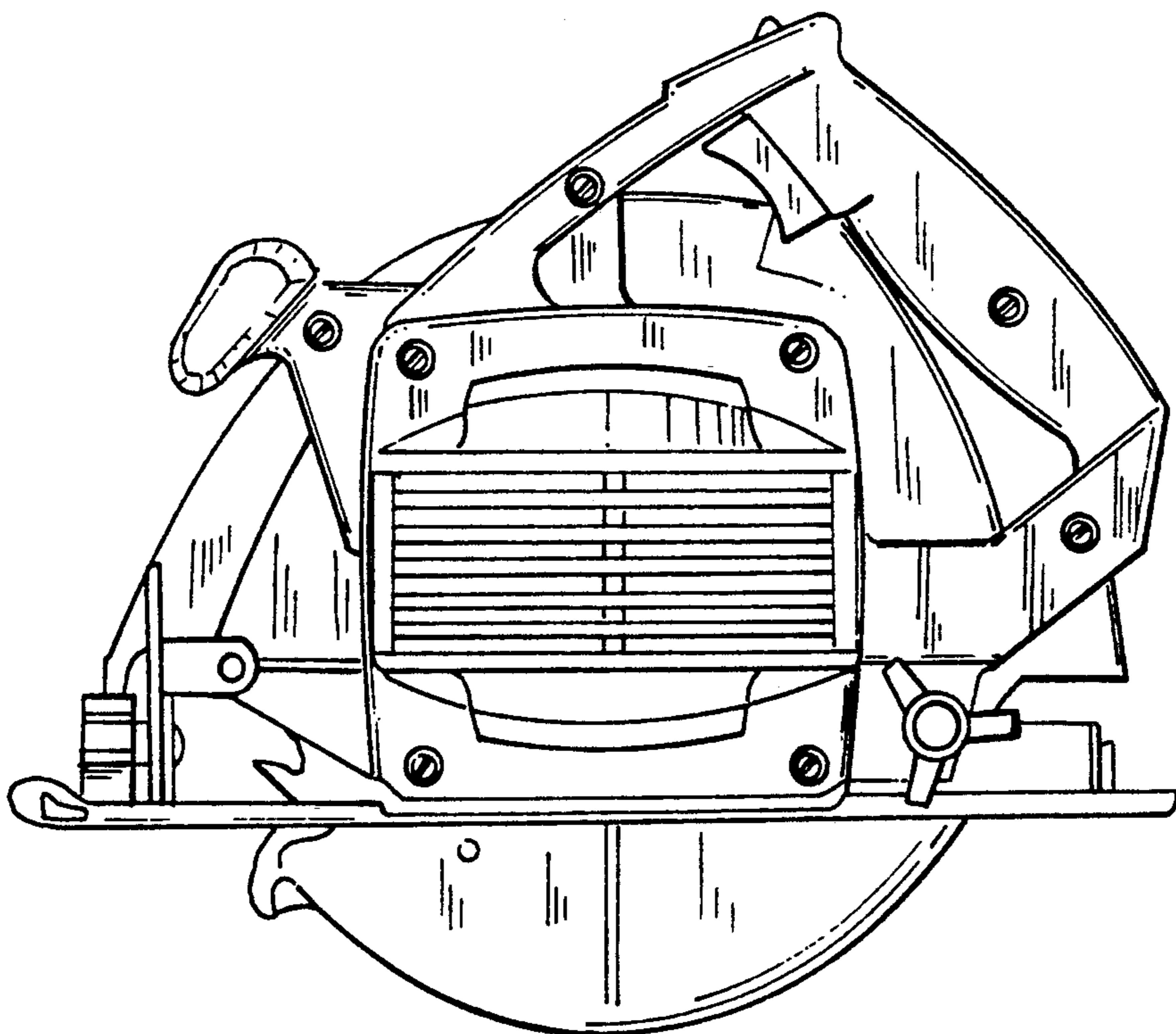


FIG. 6

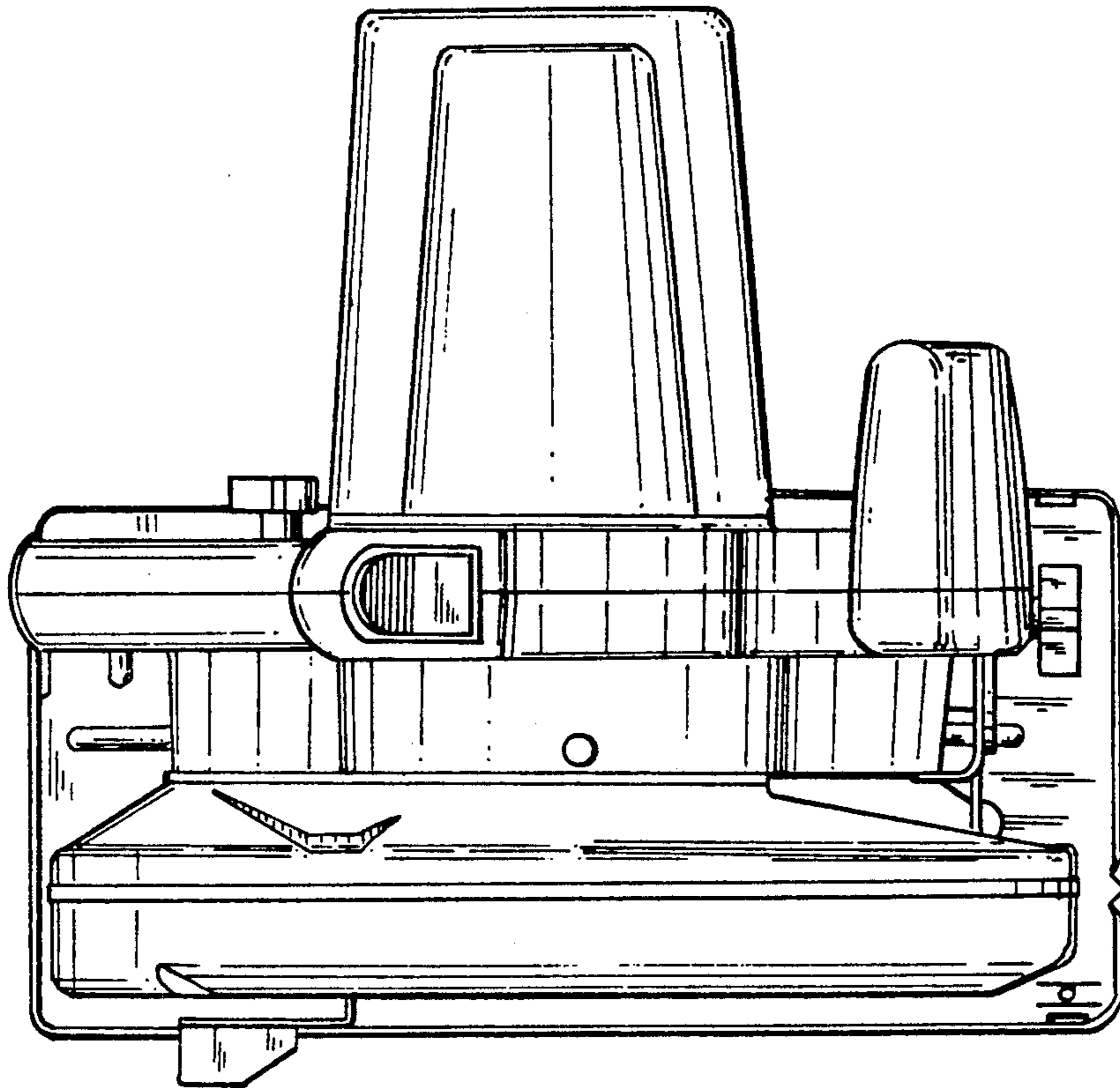


FIG. 7

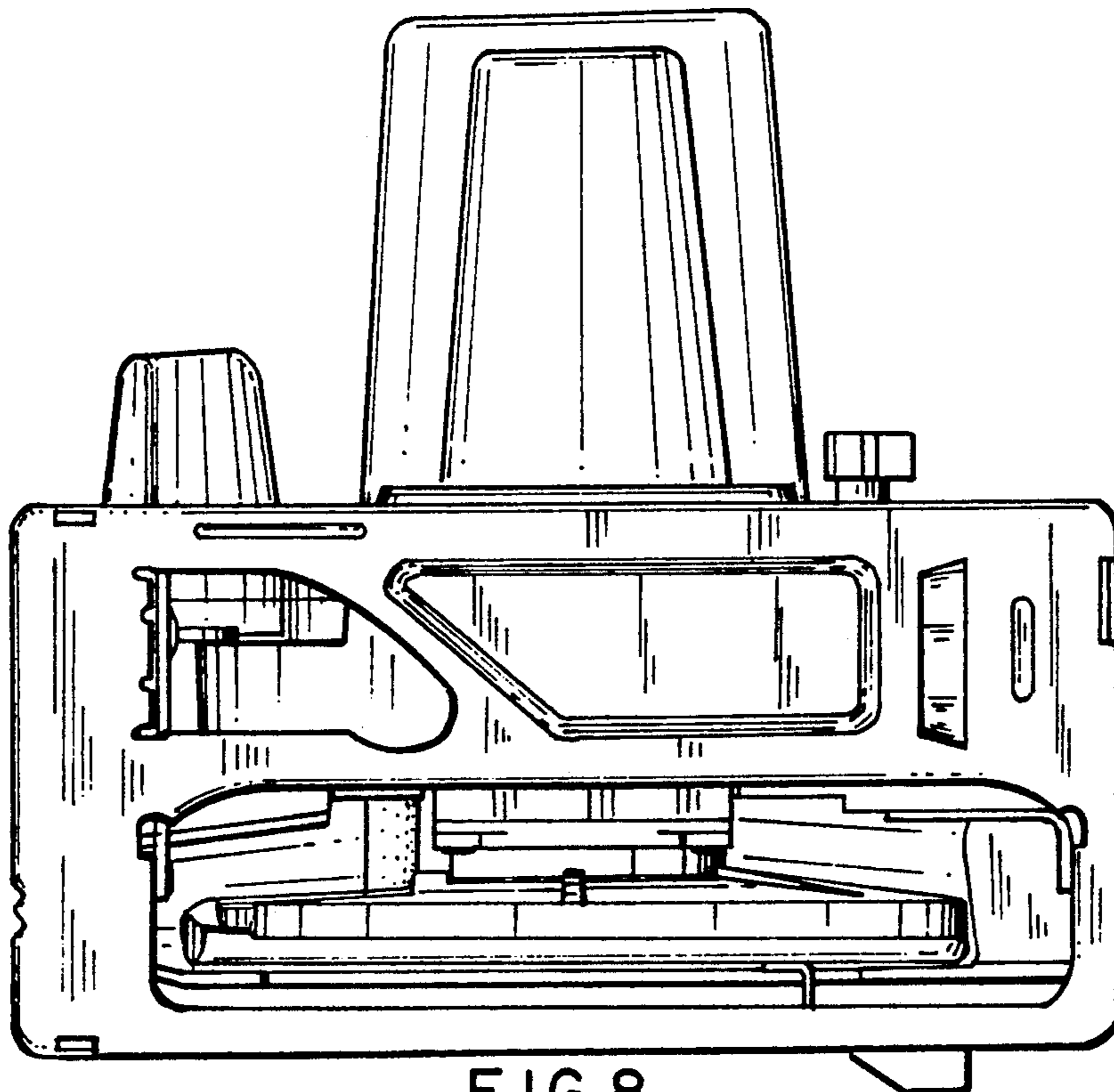


FIG. 8