



US00D334522S

United States Patent [19]

[11] Patent Number: **Des. 334,522**

Ogawa et al.

[45] Date of Patent: **** Apr. 6, 1993**

[54] PORTABLE ELECTRIC SAW

[75] Inventors: **Yasunori Ogawa, Mito; Kazumi Takeishi, Katsuta; Kazumi Tanaka, Mito, all of Japan**

[73] Assignee: **Hitachi Koki Company, Limited, Tokyo, Japan**

[**] Term: **14 Years**

[21] Appl. No.: **588,966**

[22] Filed: **Sep. 27, 1990**

[52] U.S. Cl. **D8/64**

[58] Field of Search **D8/61, 62, 64-70; 81/57.11, 57.13, 57.14; 30/273, 274**

[56] References Cited

U.S. PATENT DOCUMENTS

- D. 308,469 6/1990 Fushiya et al. D8/64
- D. 310,008 8/1990 Reiferscheid et al. D8/64

OTHER PUBLICATIONS

Brochure of Matsuzaka Ironworker K.K. on Power Saw, May 1988.

Primary Examiner—Alan P. Douglas

Assistant Examiner—J. H. Musgrove

Attorney, Agent, or Firm—Lowe, Price, LeBlanc & Becker

[57] CLAIM

The ornamental design for a portable electric saw, as shown and described.

DESCRIPTION

FIG. 1 is a bottom, front and left-side perspective view of a portable electric saw showing our new design; FIG. 2 is a left side elevational view thereof; FIG. 3 is a bottom plan view thereof; FIG. 4 is a right side elevational view thereof; FIG. 5 is a top plan view thereof; FIG. 6 is a front elevational view thereof; FIG. 7 is a rear elevational view thereof; and, FIG. 8 is a bottom, front and left-side perspective view thereof, the broken lines showing the saw blade are for environmental purposes only and form no part of the claimed design.

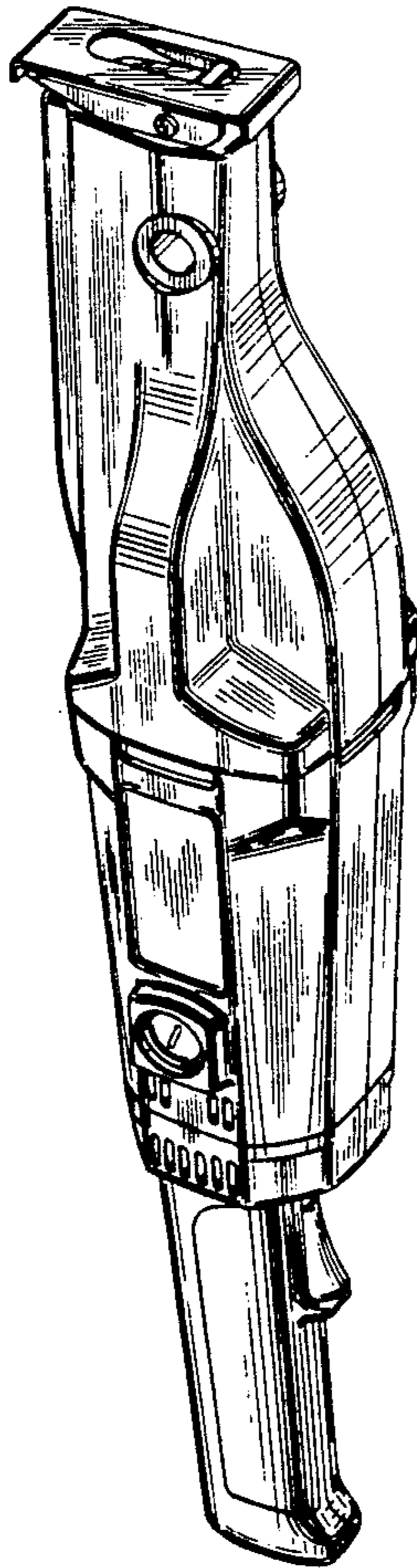


FIG. 1

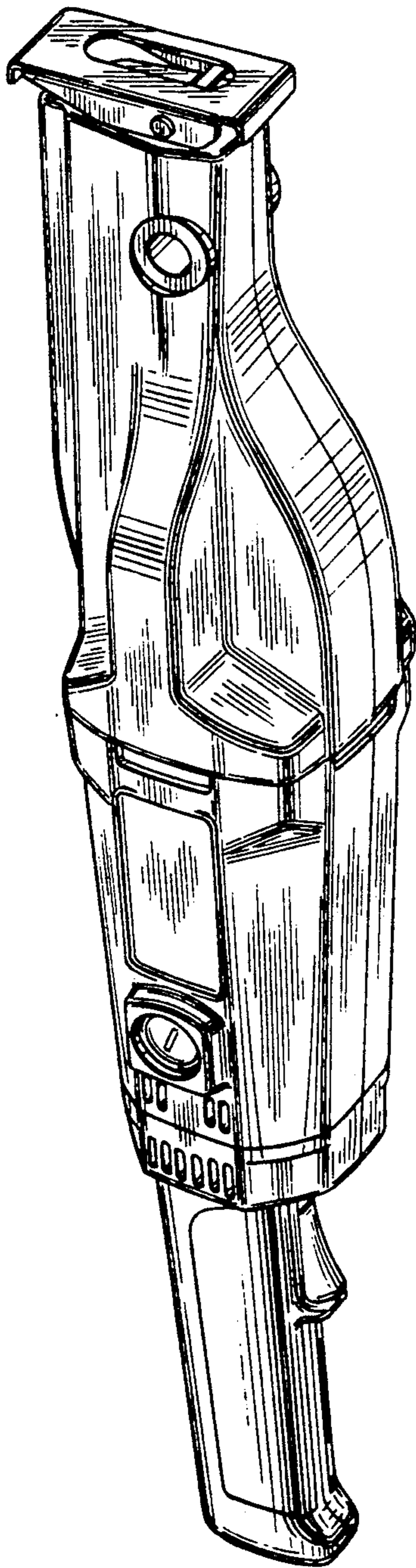


FIG. 2

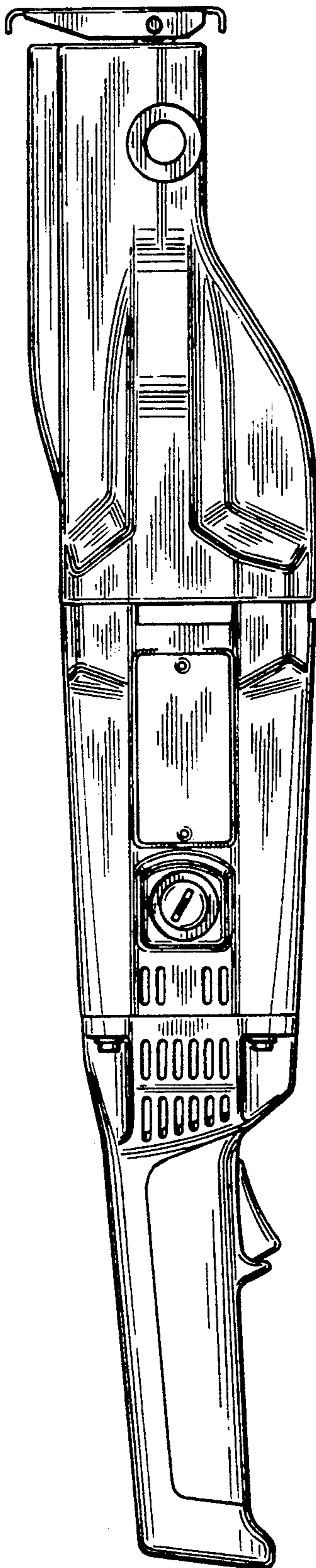


FIG. 3

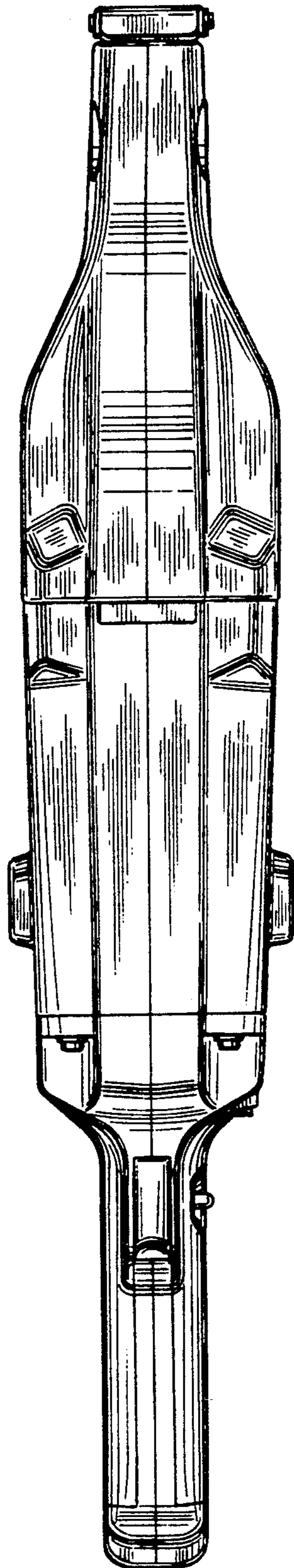


FIG. 4

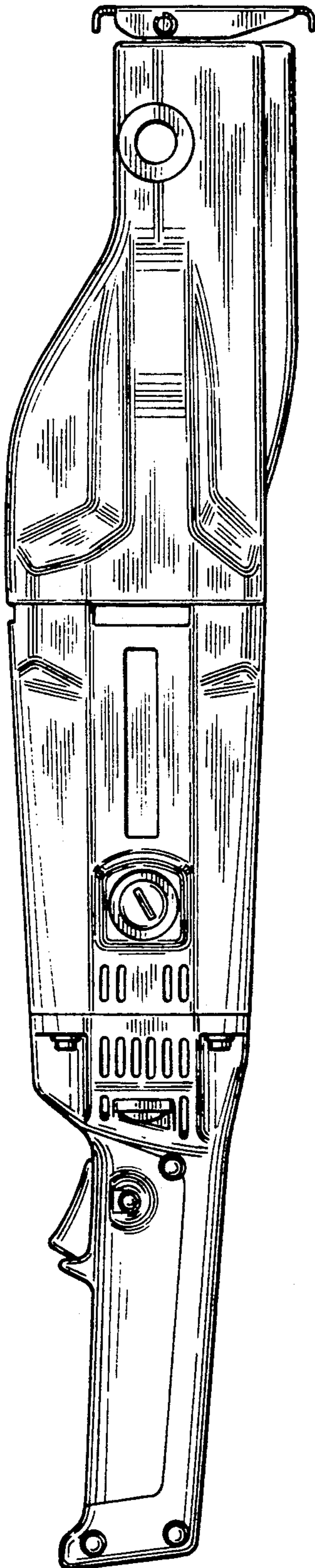


FIG. 5

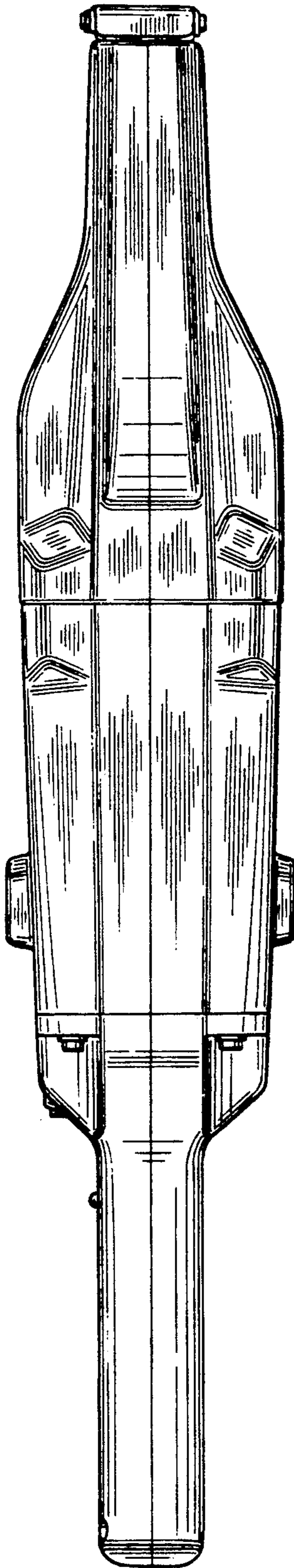


FIG. 6

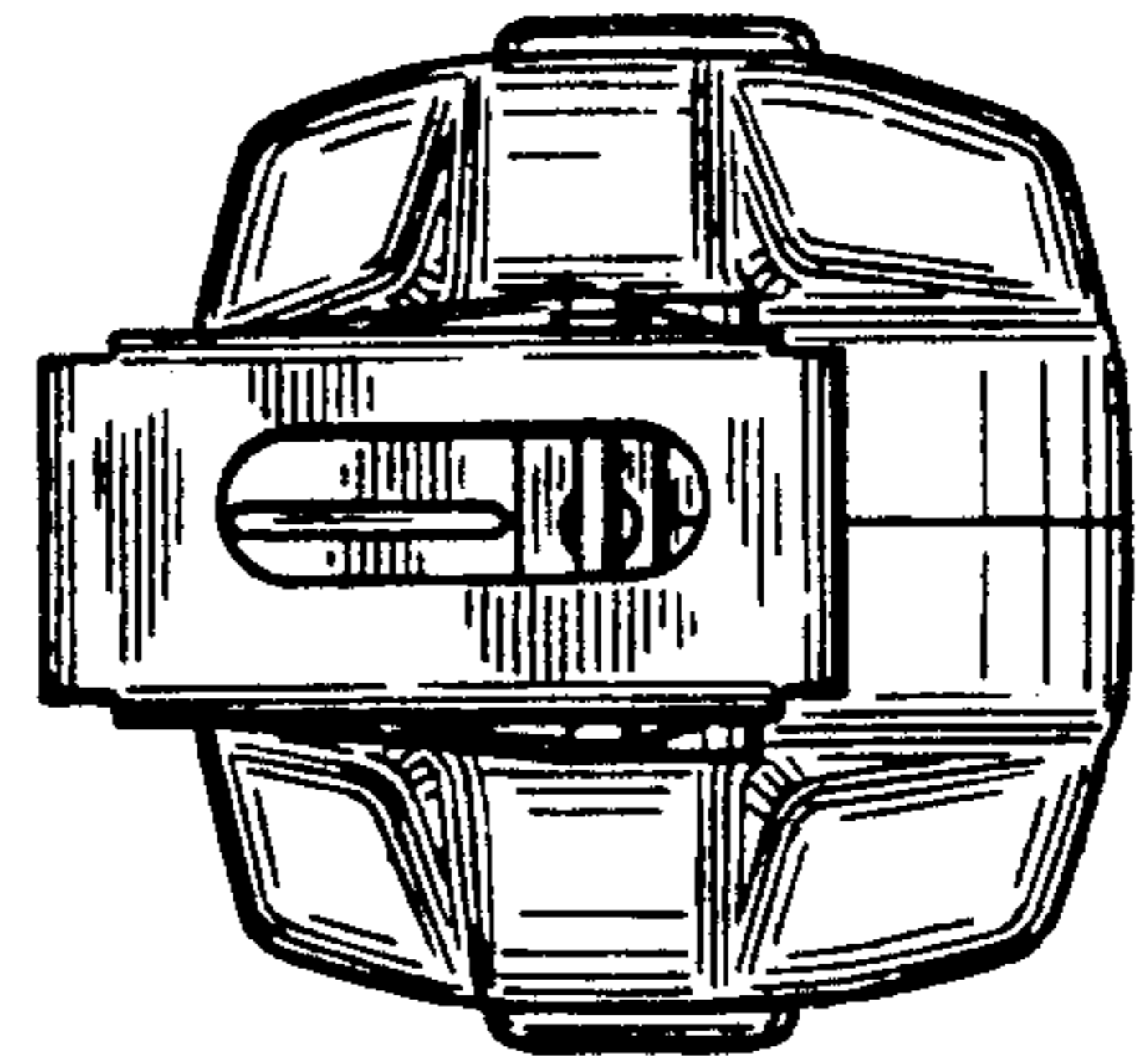


FIG. 7

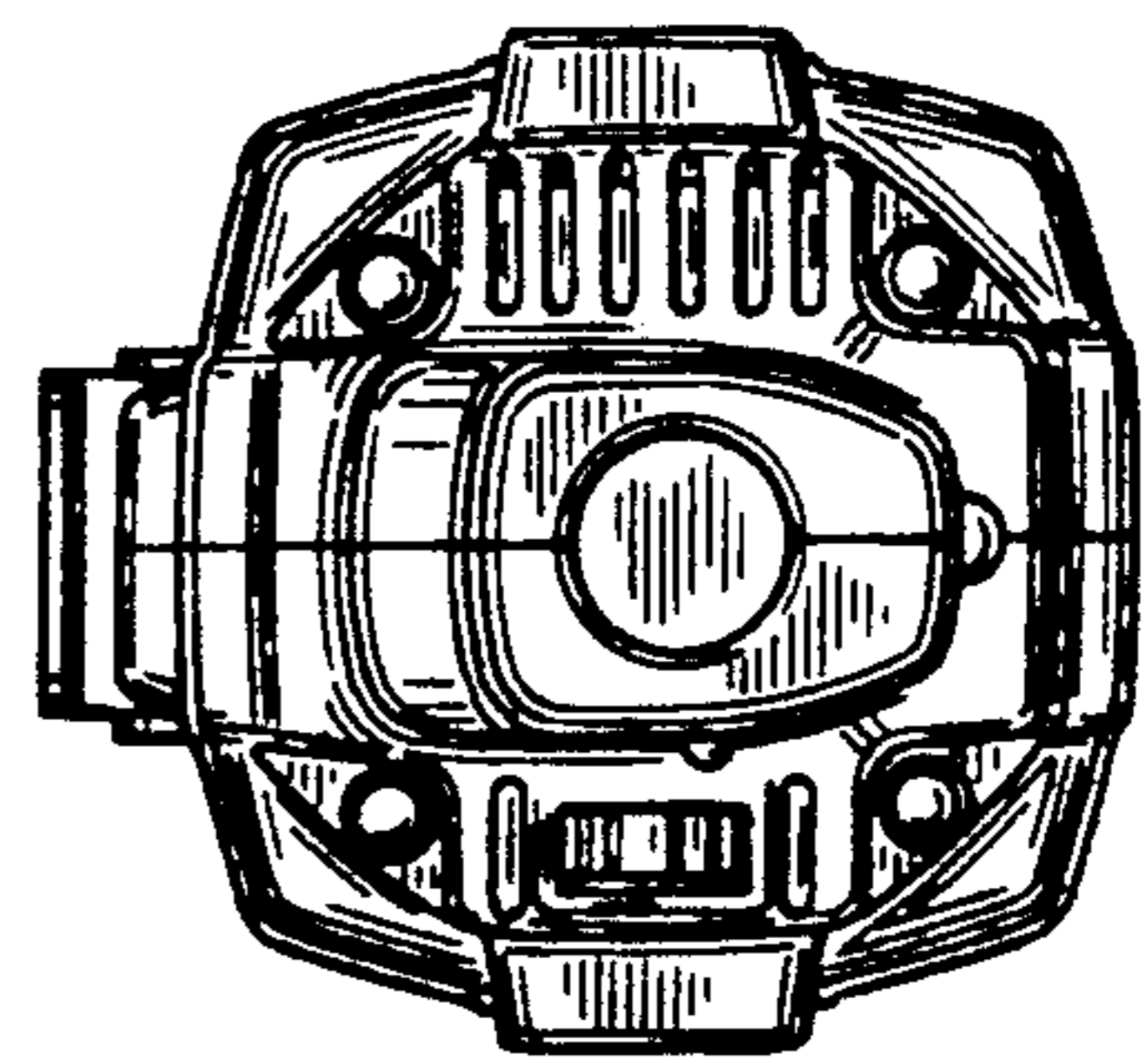


FIG. 8

