



US00D334509S

# United States Patent [19]

[11] Patent Number: **Des. 334,509**

Melvin

[45] Date of Patent: **\*\* Apr. 6, 1993**

- [54] TACO HOLDING RACK
- [76] Inventor: **Robert J. Melvin**, 1656 W. Milagro Ave., Mesa, Ariz. 85202
- [\*\*] Term: **14 Years**
- [21] Appl. No.: **719,531**
- [22] Filed: **Jun. 24, 1991**
- [52] U.S. Cl. .... **D7/504; D7/409**
- [58] Field of Search ..... **D7/409, 504; D6/462; 108/161; 248/152, 174-175; 99/359**

- D. 205,716 9/1966 Christoffersen ..... D7/409
- 1,248,150 11/1917 Moody ..... 248/175 X

*Primary Examiner*—Terry A. Pfeffer  
*Attorney, Agent, or Firm*—McCaleb, Lucas & Brugman

### [57] CLAIM

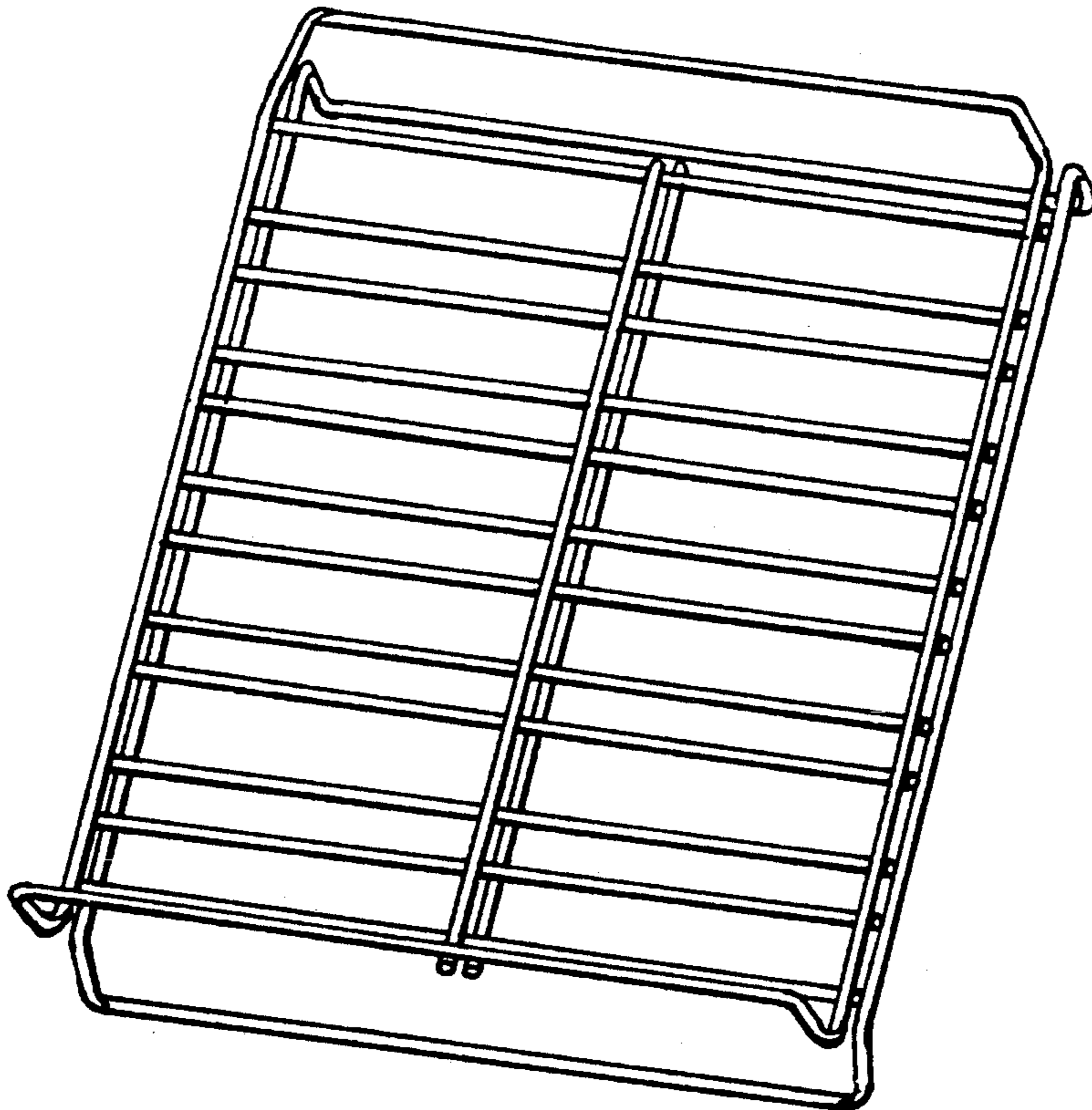
The ornamental design for a taco holding rack, as shown and described.

### DESCRIPTION

FIG. 1 is a perspective view of the taco holding rack showing my new design;  
FIG. 2 is a top plan view thereof;  
FIG. 3 is a bottom plan view thereof;  
FIG. 4 is a side elevational view thereof; and,  
FIG. 5 is a front elevational view thereof, the opposite side being identical.

### [56] References Cited U.S. PATENT DOCUMENTS

- D. 201,903 8/1965 Christoffersen ..... D7/409
- D. 205,715 9/1966 Christoffersen ..... D7/409



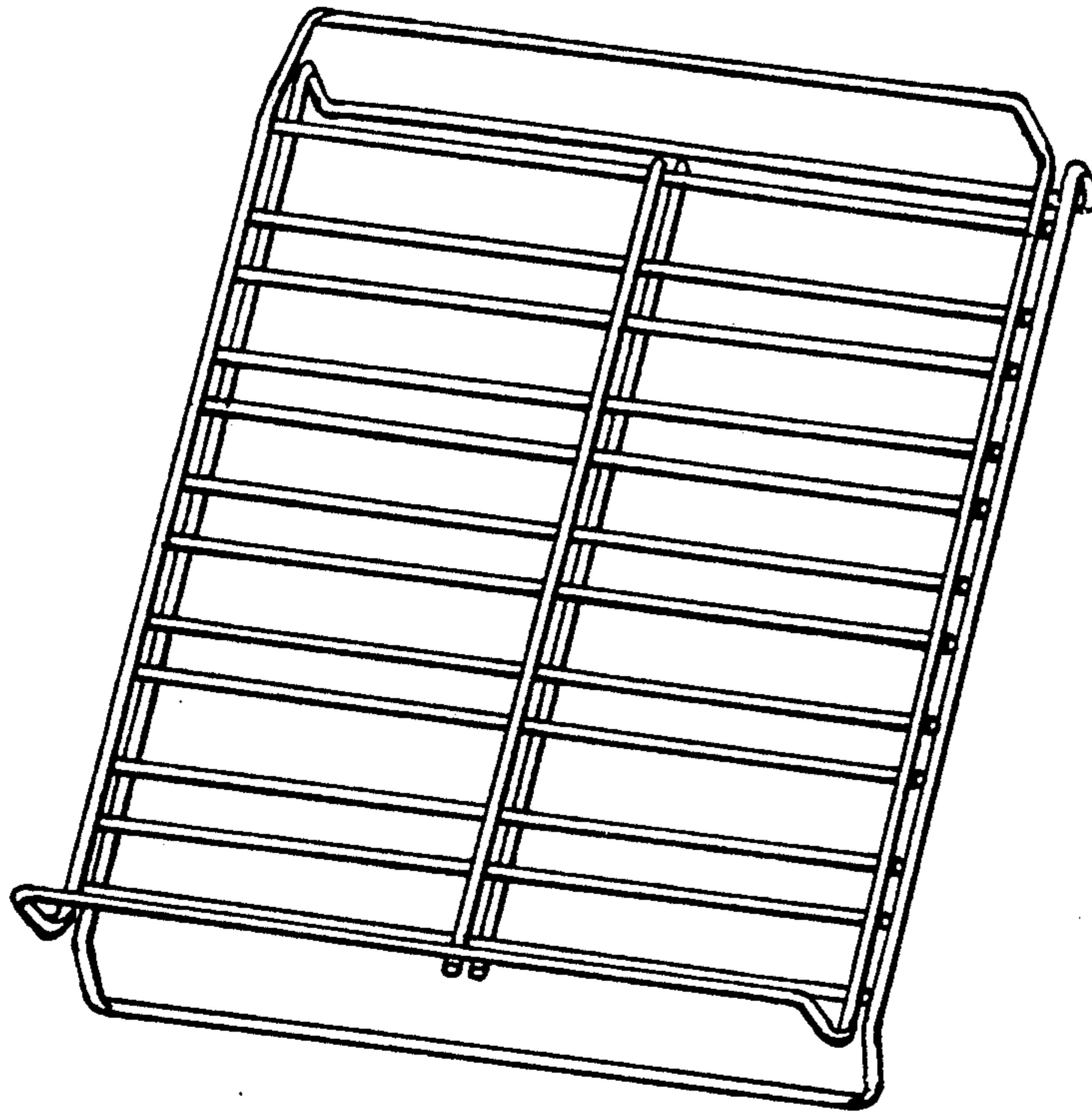


FIG. 1

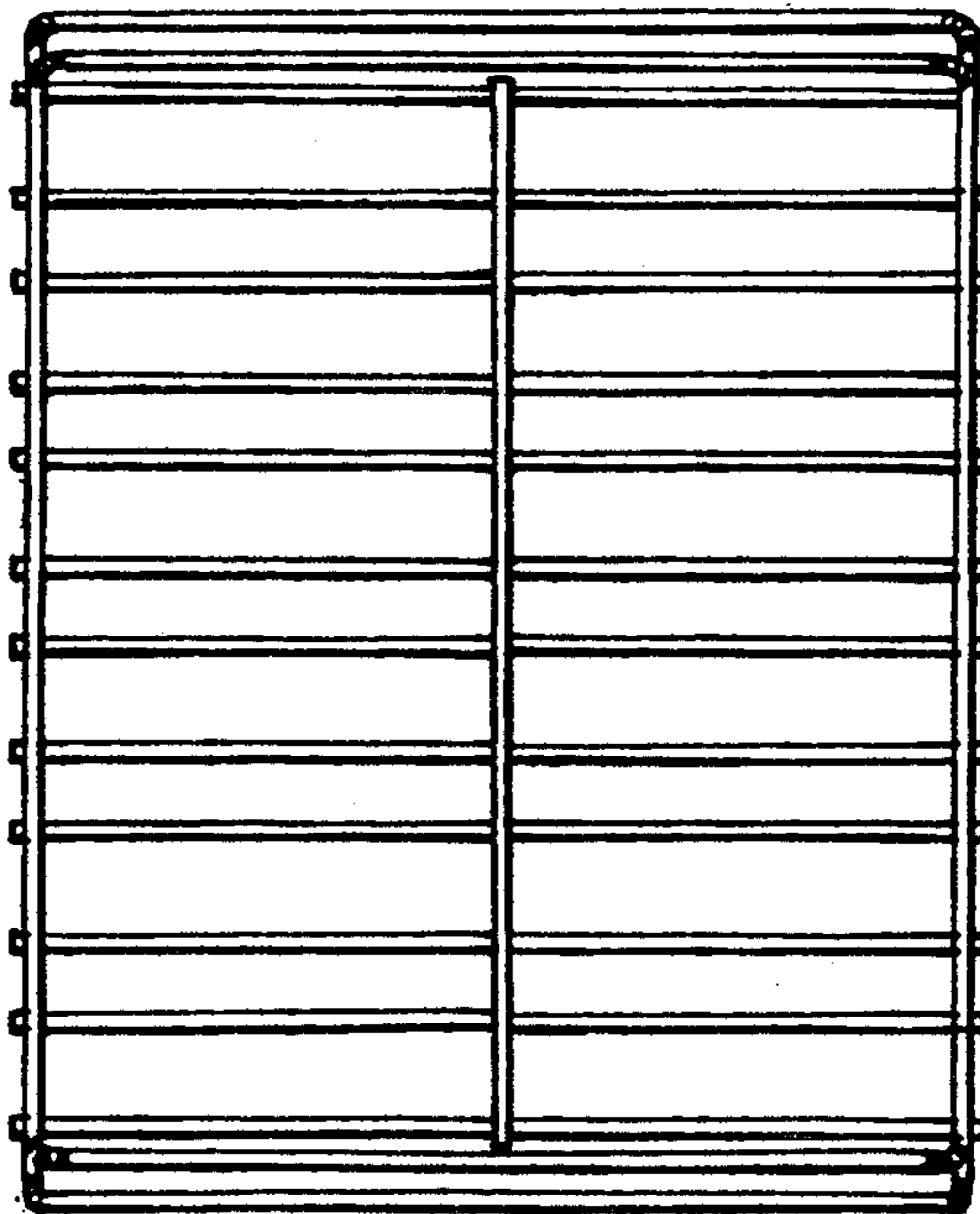


FIG. 2

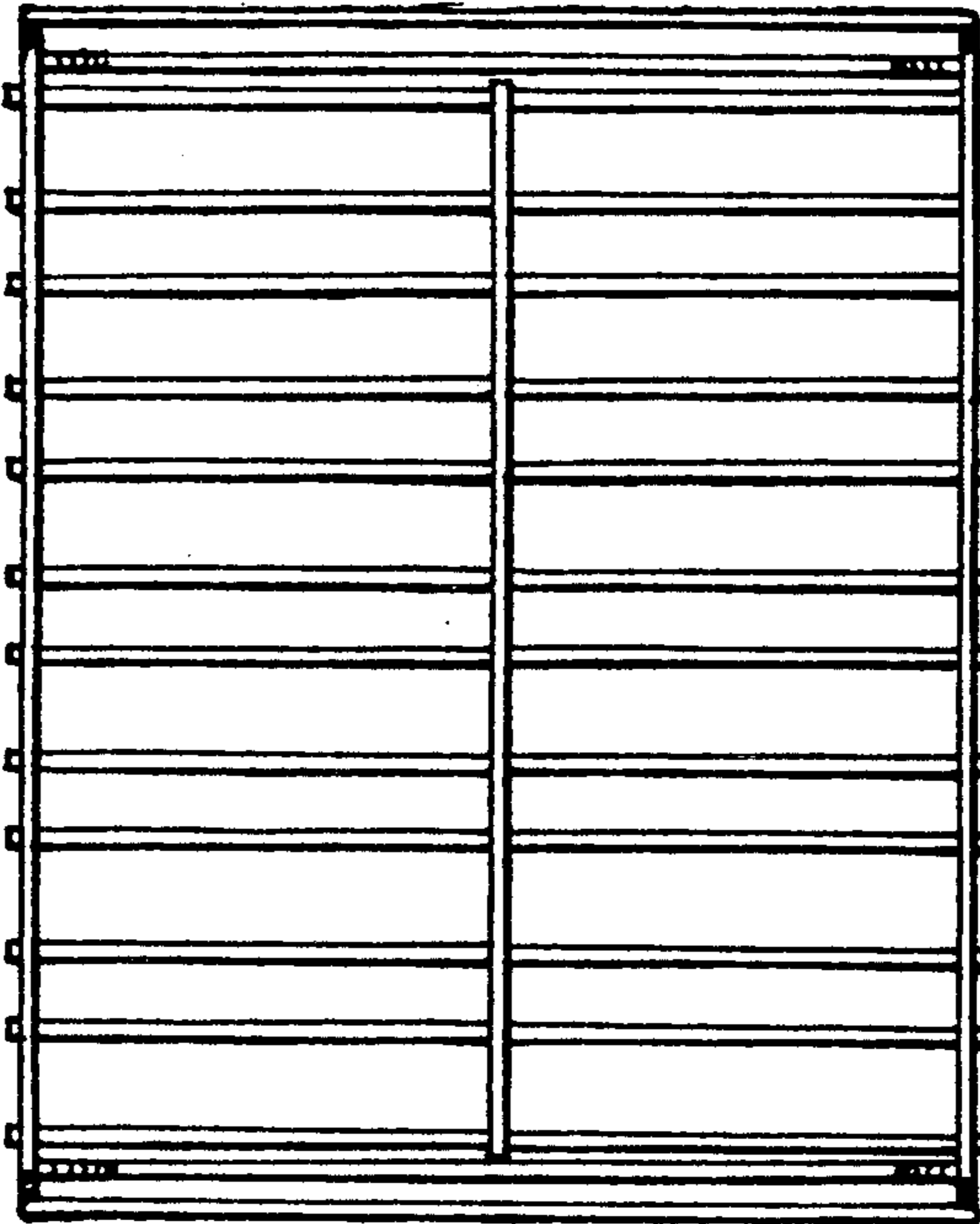


FIG. 3

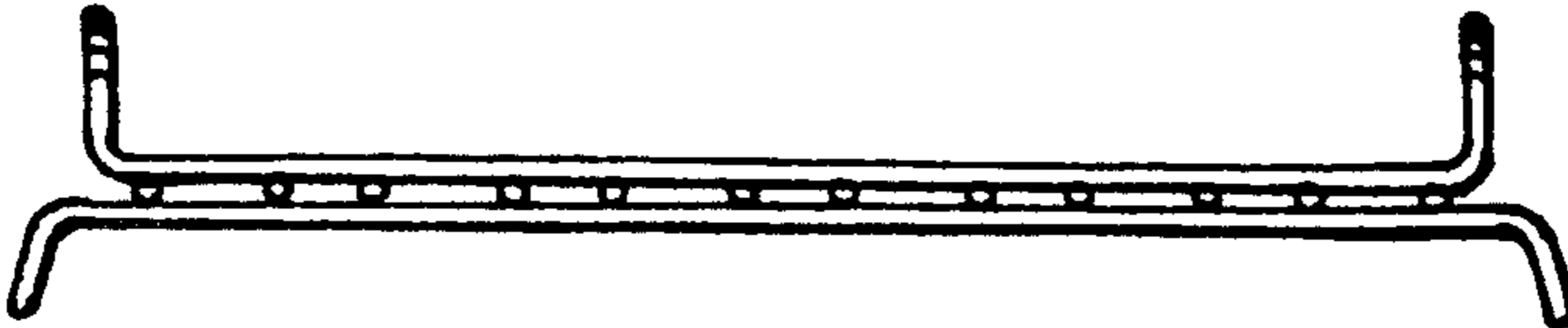


FIG. 4

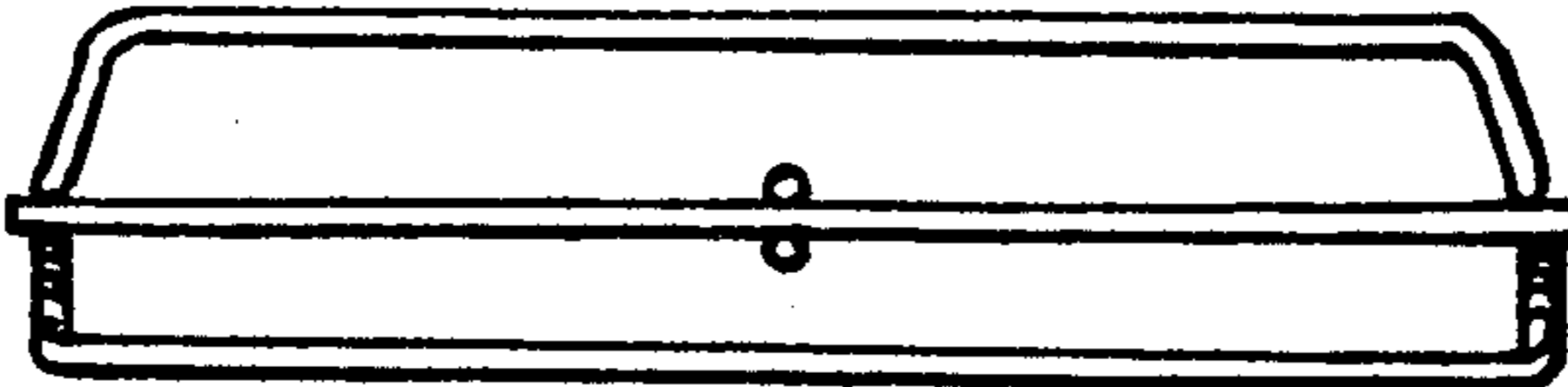


FIG. 5