



US00D334504S

United States Patent [19]

Edwards

[11] Patent Number: **Des. 334,504**

[45] Date of Patent: **** Apr. 6, 1993**

[54] **COMBINED BABY BOTTLE HEATER AND COOLER**

[76] Inventor: **Leroy Edwards, 2416 Owen Dr., Wilmington, Del. 19808**

[**] Term: **14 Years**

[21] Appl. No.: **806,438**

[22] Filed: **Dec. 13, 1991**

[52] U.S. Cl. **D7/326; D7/350; D15/81**

[58] Field of Search **D7/605, 326, 350-351; D15/79, 81, 83, 85; 62/371, 457.1, 457.5, 457.9**

[56] **References Cited**

U.S. PATENT DOCUMENTS

D. 164,239	8/1951	Horwitz	D7/350
D. 252,730	8/1979	Mazurosky	D15/81
D. 255,329	6/1980	Luck	D7/605
D. 270,604	9/1983	Zauft	D15/83
D. 281,695	12/1985	Ryan	D7/605
D. 292,469	10/1987	Nakagawa et al.	D7/350

D. 308,617	6/1990	Le'i	D7/605
1,728,636	9/1929	Stewart	D15/84
2,825,208	3/1958	Anderson	D7/605
3,491,913	1/1970	Giraudet	D7/605
4,711,099	12/1987	Polan et al.	62/371
4,819,793	4/1989	Willard et al.	62/457.5

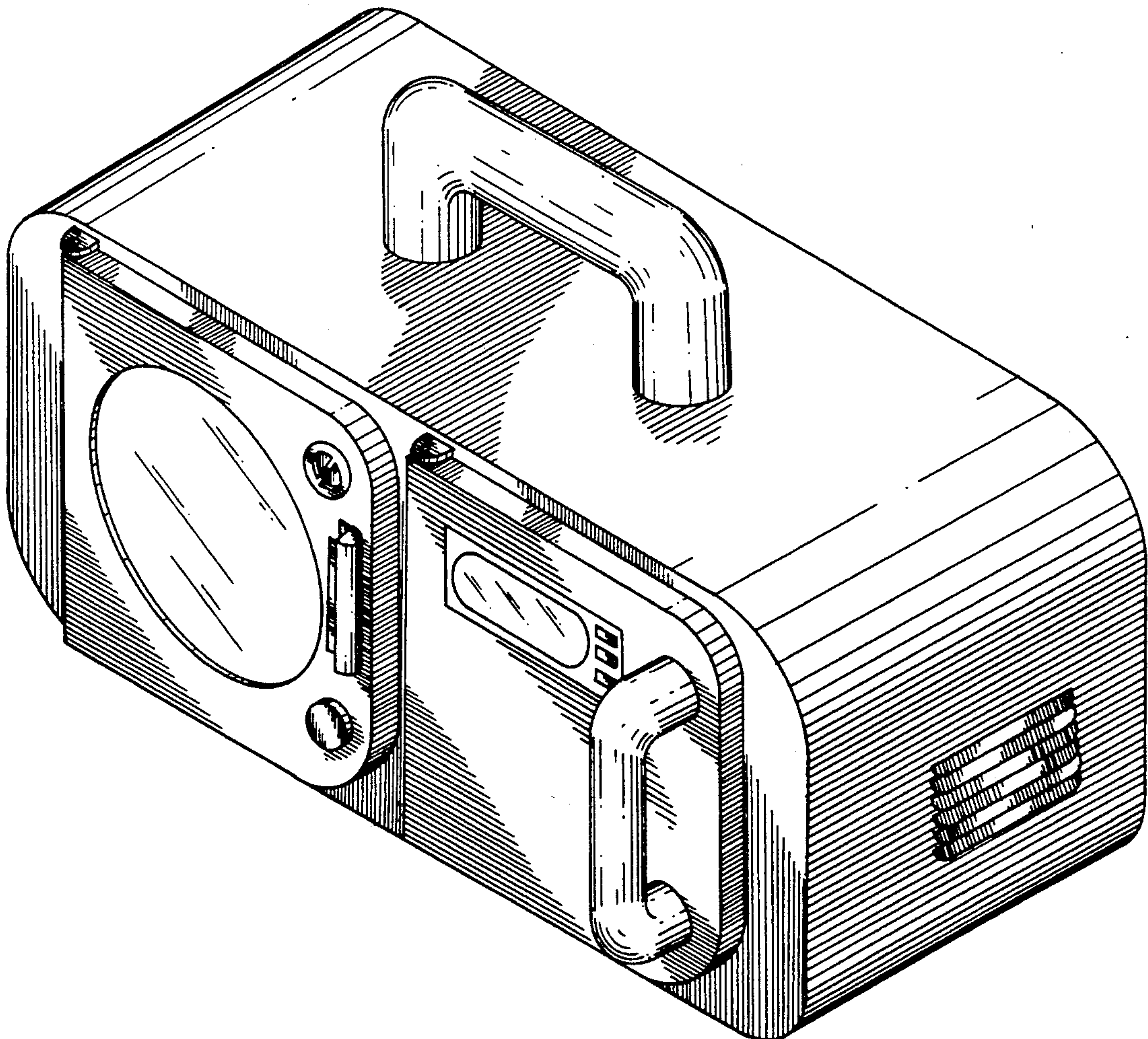
Primary Examiner—Theodore M. Shooman
Assistant Examiner—Sandra Morris
Attorney, Agent, or Firm—Terry M. Gernstein

[57] CLAIM

The ornamental design for a combined baby bottle heater and cooler, as shown and described.

DESCRIPTION

FIG. 1 is a perspective view of a combined baby bottle heater and cooler, showing my new design; FIG. 2 is a front elevational view thereof; FIG. 3 is a rear elevational view thereof; FIG. 4 is a right side elevational view thereof; FIG. 5 is a left side elevational view thereof; FIG. 6 is a top plan view thereof; and, FIG. 7 is a bottom view thereof.



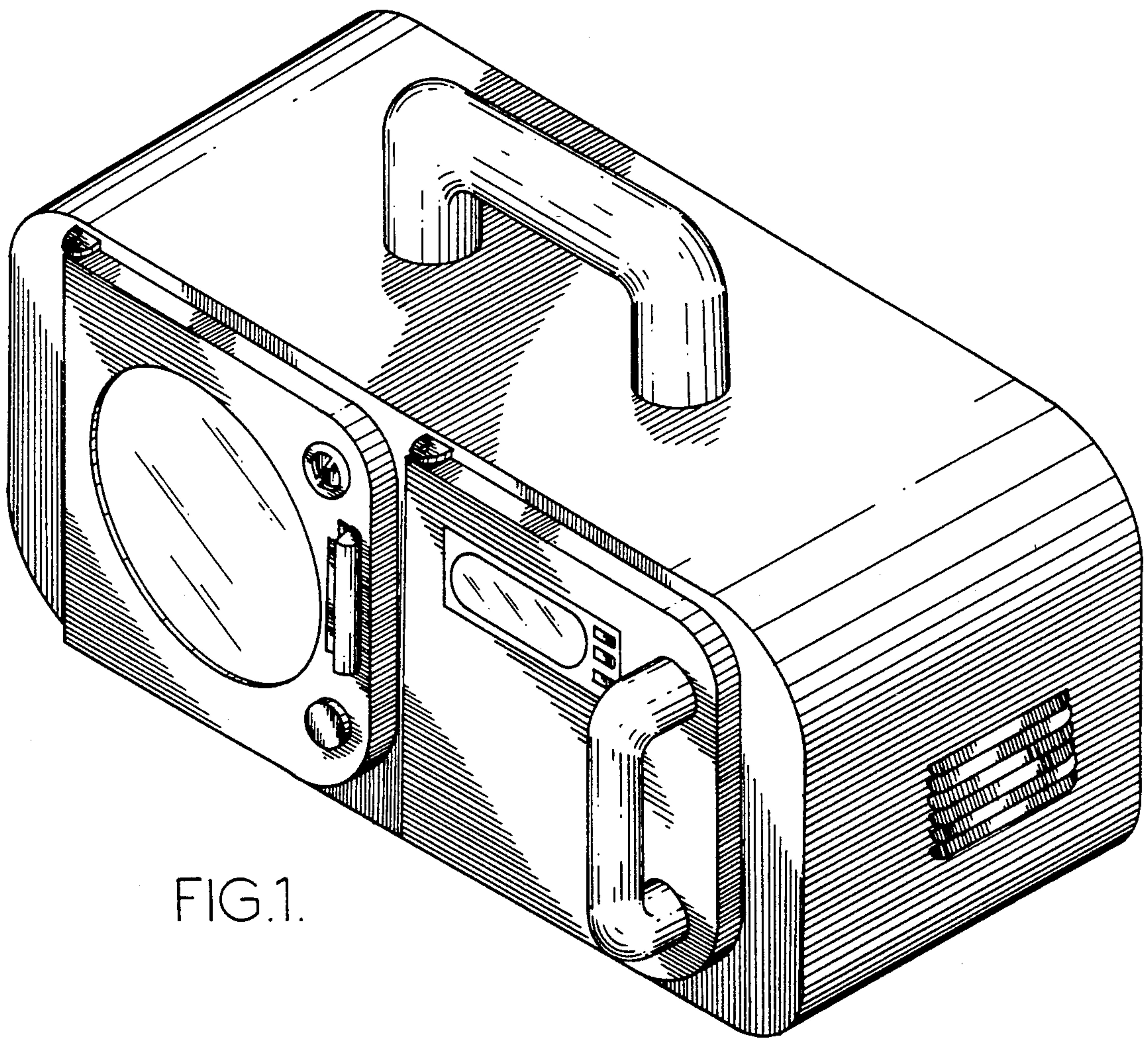
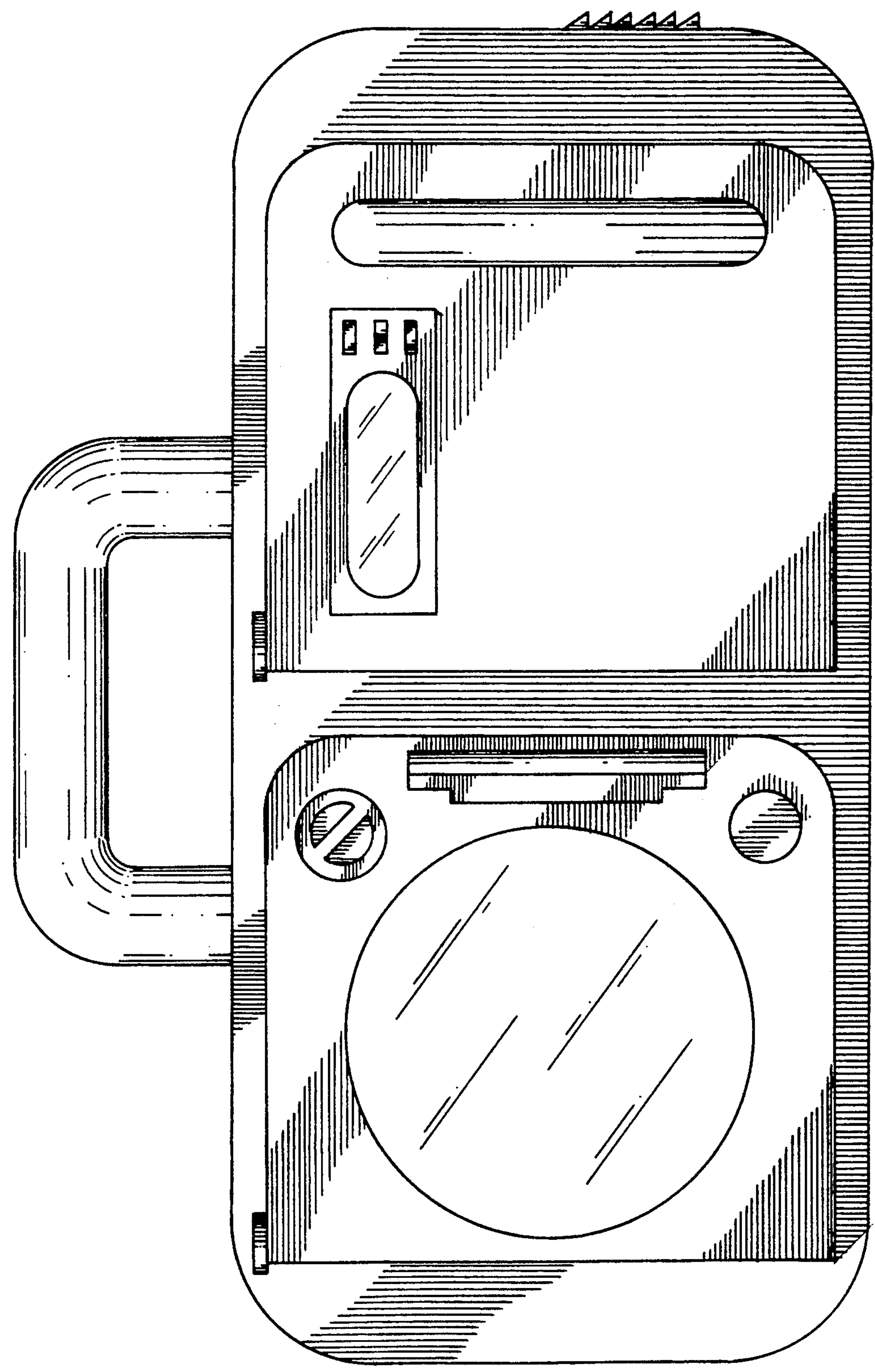


FIG. 1.

FIG. 2.



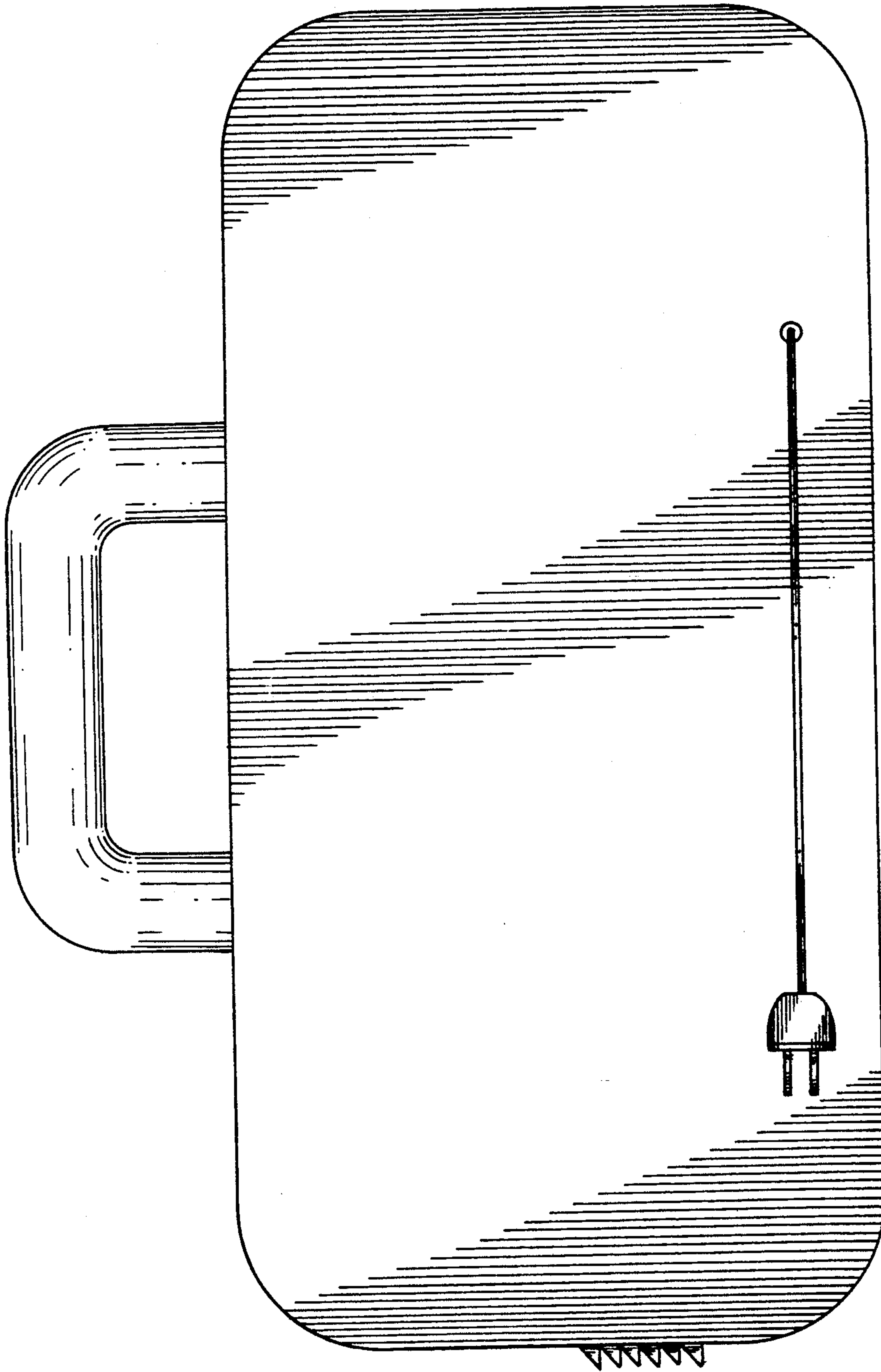


FIG. 3.

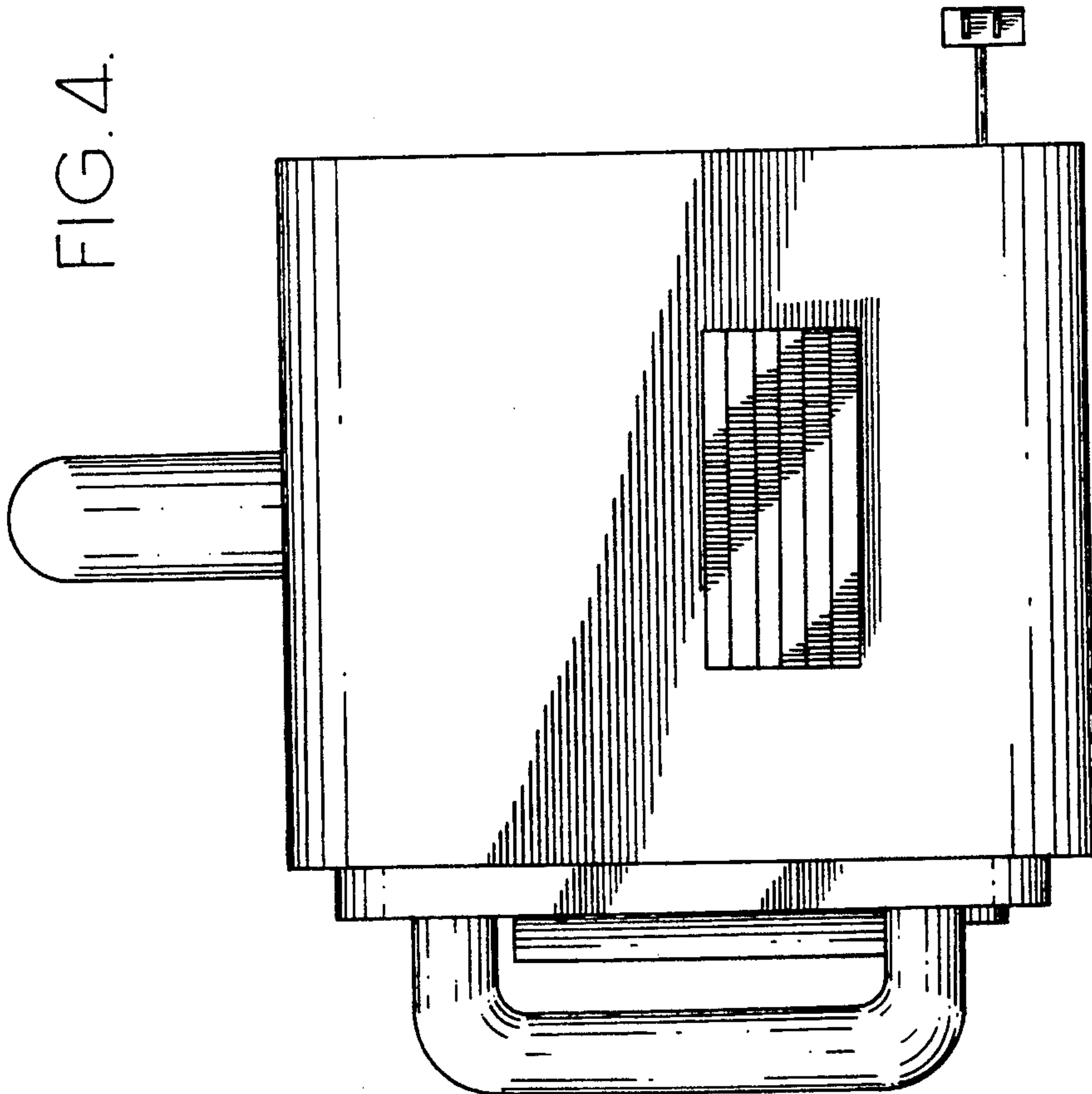
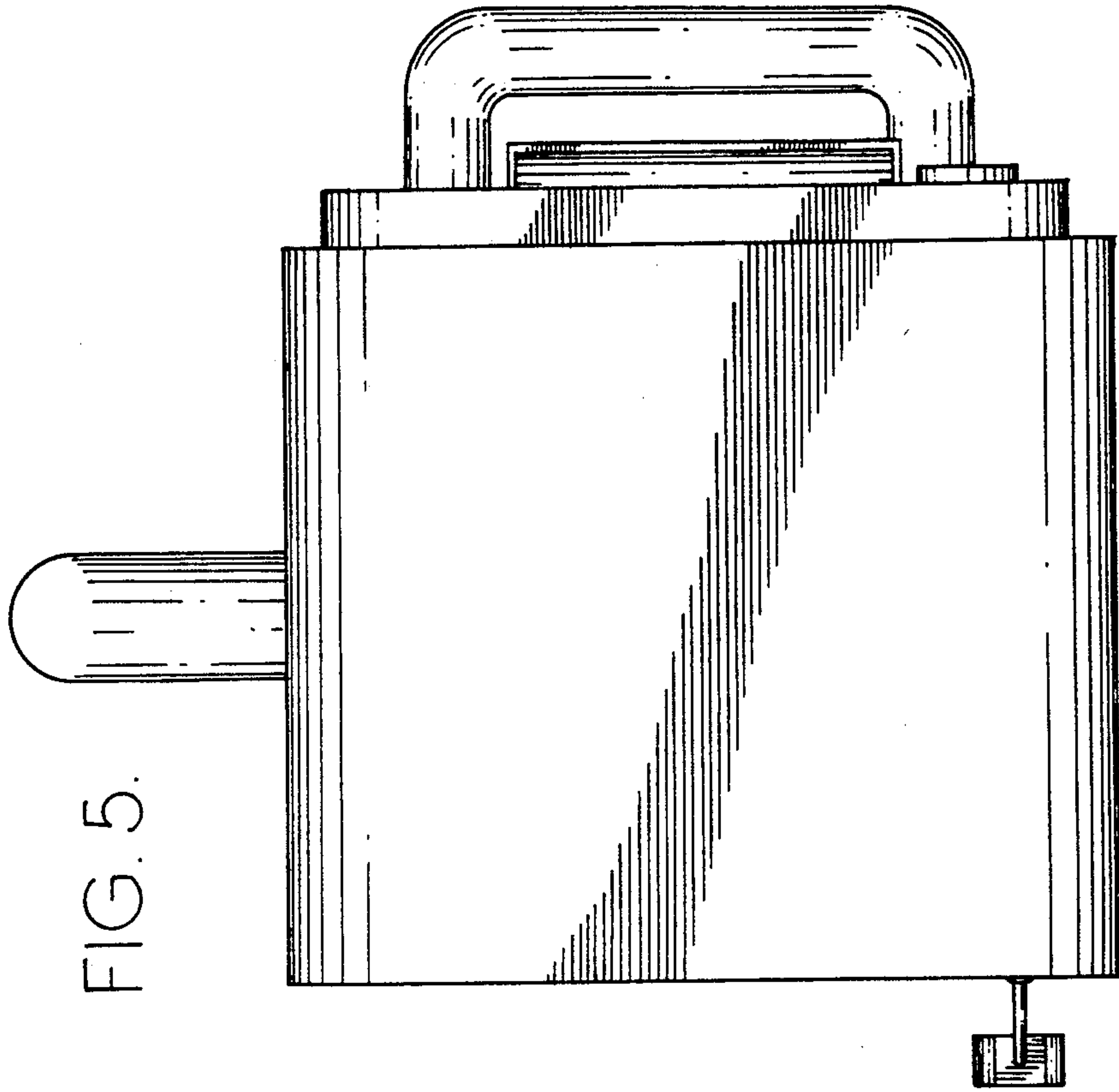


FIG. 6.

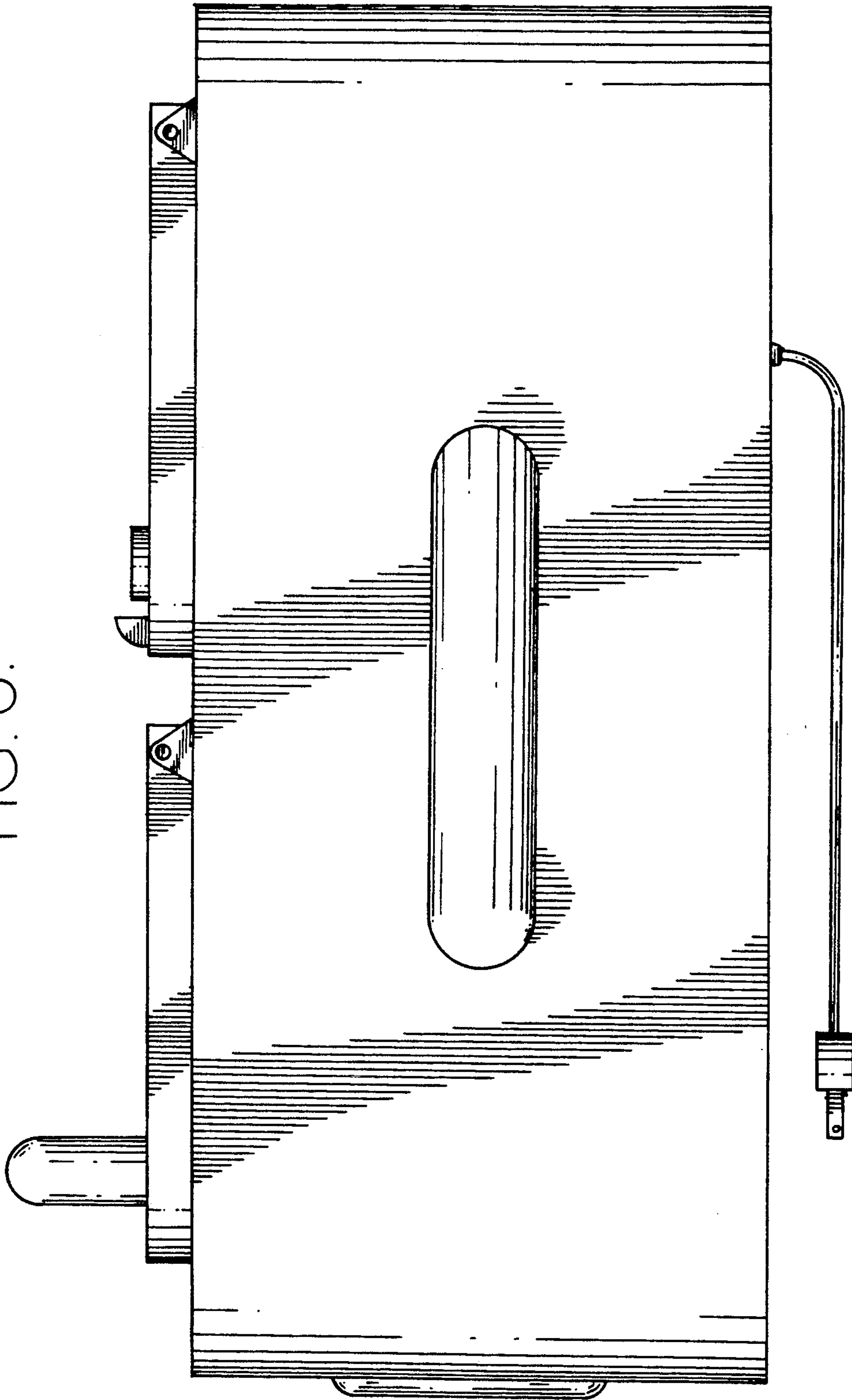


FIG. 7.

