



US00D334502S

# United States Patent [19] Hill

[11] Patent Number: **Des. 334,502**

[45] Date of Patent: **\*\* Apr. 6, 1993**

[54] **COMBINATION STORAGE AND MATTRESS SUPPORT UNIT**

[76] Inventor: **Vernon L. Hill**, 12361 Randolph Pl., Denver, Colo. 80239

[\*\*] Term: **14 Years**

[21] Appl. No.: **522,202**

[22] Filed: **May 11, 1990**

[52] U.S. Cl. .... **D6/605; D6/596; D6/383; D6/382**

[58] Field of Search ..... **D6/382-384, D6/388-395, 505-508, 596, 605; 5/93.1, 93.2, 99.1, 460, 462, 58, 308, 312; D9/418, 423**

[56] **References Cited**

**U.S. PATENT DOCUMENTS**

D. 107,880	1/1938	Marsack	.....	D6/605
D. 188,483	8/1960	Koenigsberg	.....	D6/605
D. 188,484	8/1960	Koenigsberg	.....	D6/605
2,330,192	9/1943	Bednarek	.....	5/466
2,462,579	2/1949	Warner	.....	5/462
3,376,585	4/1968	Muzaurieta	.....	5/462
3,551,923	1/1971	Franklin	.....	5/462
4,780,919	11/1988	Harrison	.....	5/308 X

**FOREIGN PATENT DOCUMENTS**

2056268	3/1981	United Kingdom	.....	5/308
2076280	12/1981	United Kingdom	.....	5/308

**OTHER PUBLICATIONS**

Lillian Vernon ©1989, p. 40, "Under the Bed Chest" far left at bottom.

*Primary Examiner*—Alan P. Douglas  
*Assistant Examiner*—Janice G. Seeger  
*Attorney, Agent, or Firm*—Dorr, Carson, Sloan & Peterson

[57] **CLAIM**

The ornamental design for a combination storage and mattress support unit, as shown and described.

**DESCRIPTION**

FIG. 1 is a perspective view of a combination storage and mattress support unit, showing my new design; FIG. 2 is a perspective view in open condition; FIG. 3 is a side elevational view, the opposite side being identical thereto; FIG. 4 is an end elevational view; FIG. 5 is an elevational view, showing the end opposite that shown in FIG. 4; FIG. 6 is a top plan view; and, FIG. 7 is a bottom plan view thereof.

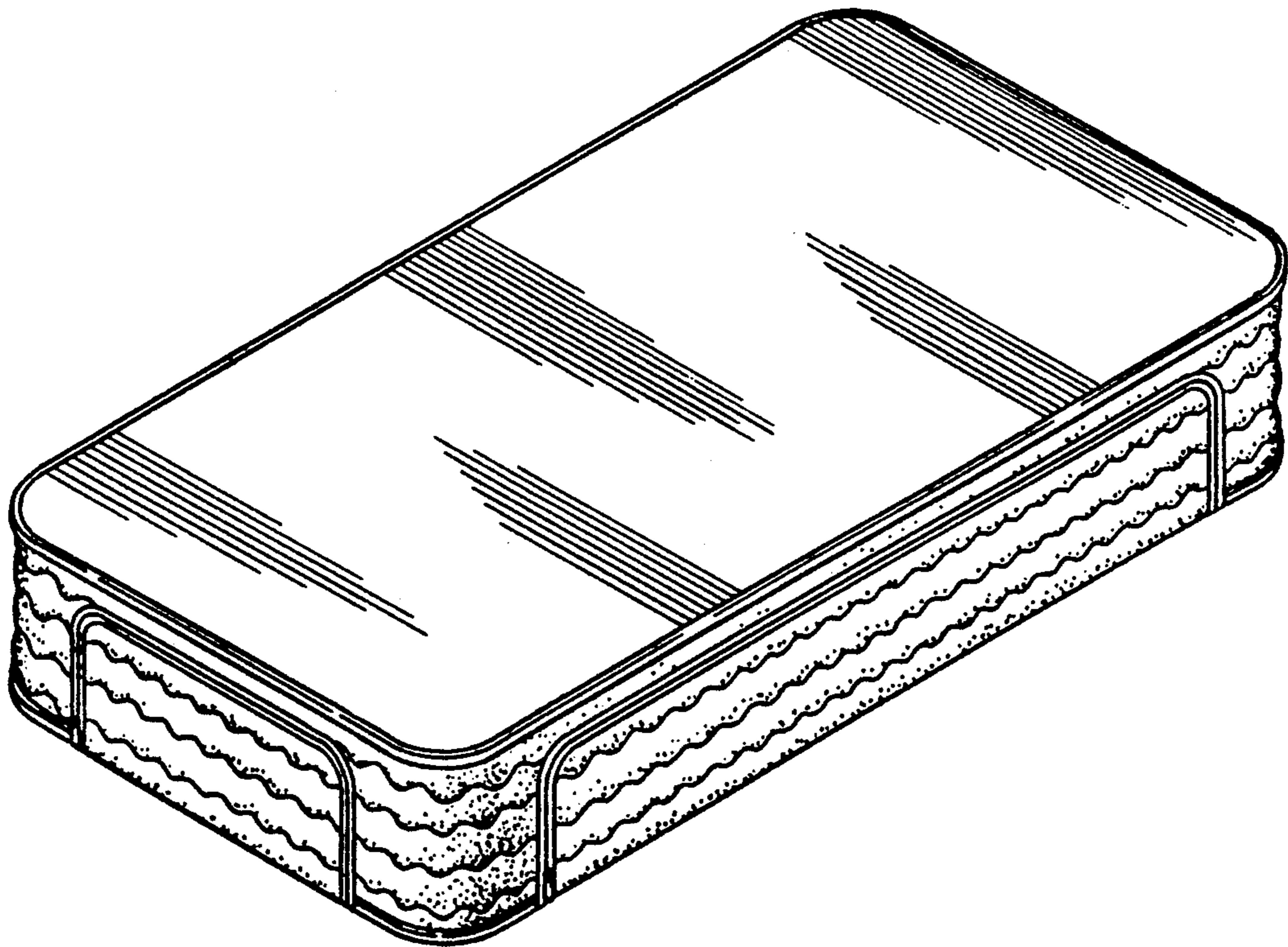




Fig. 1

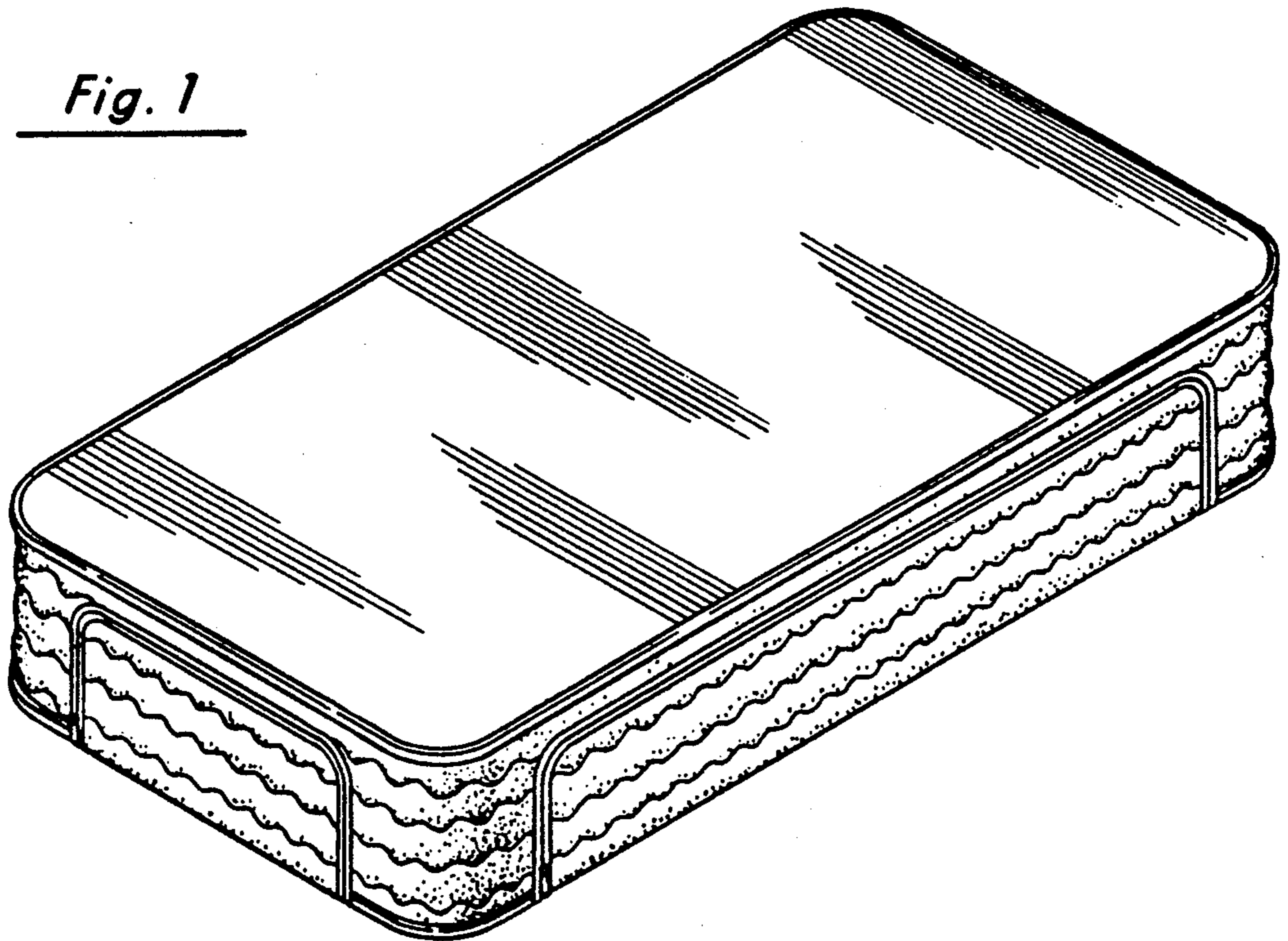


Fig. 2

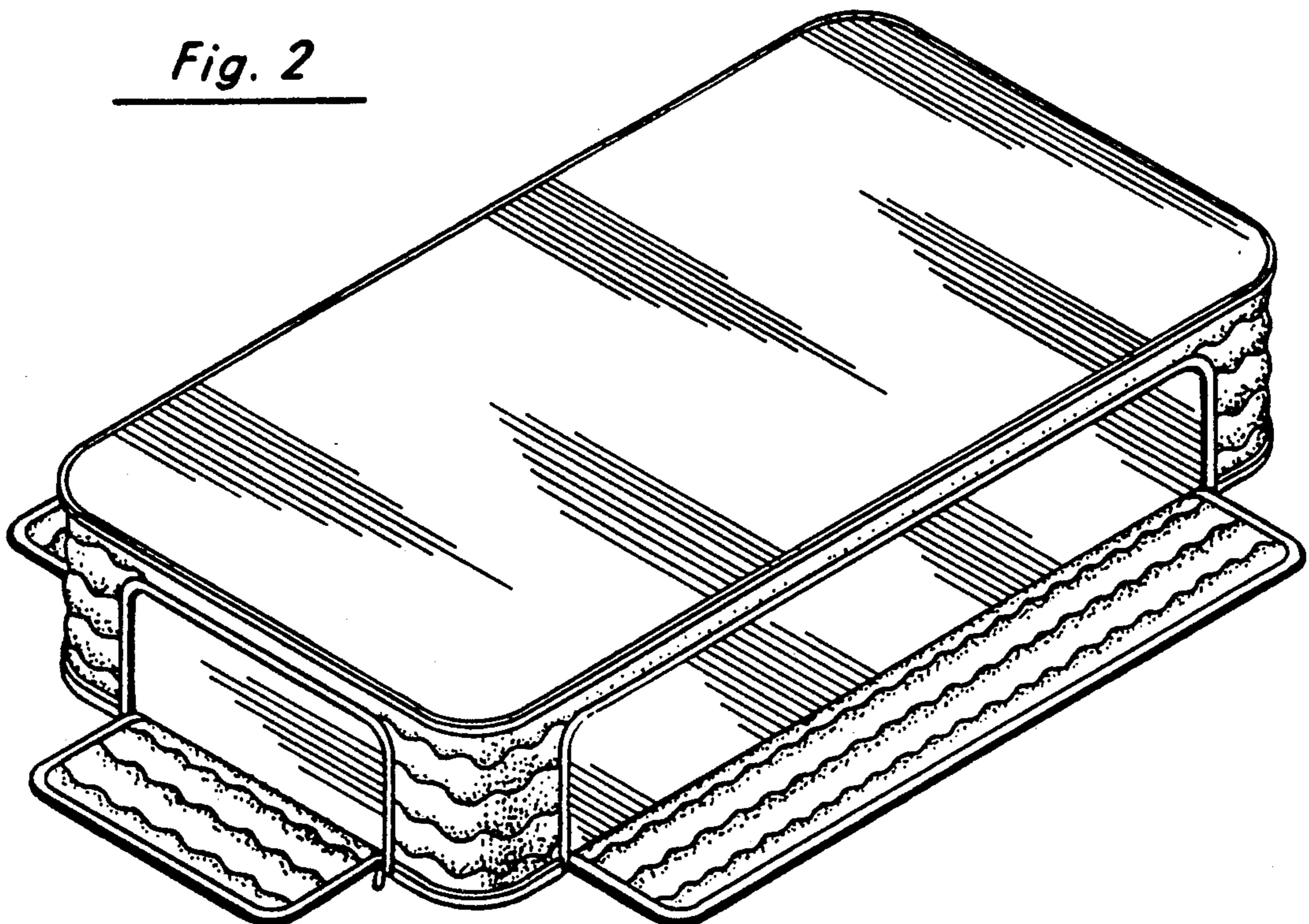


Fig. 3

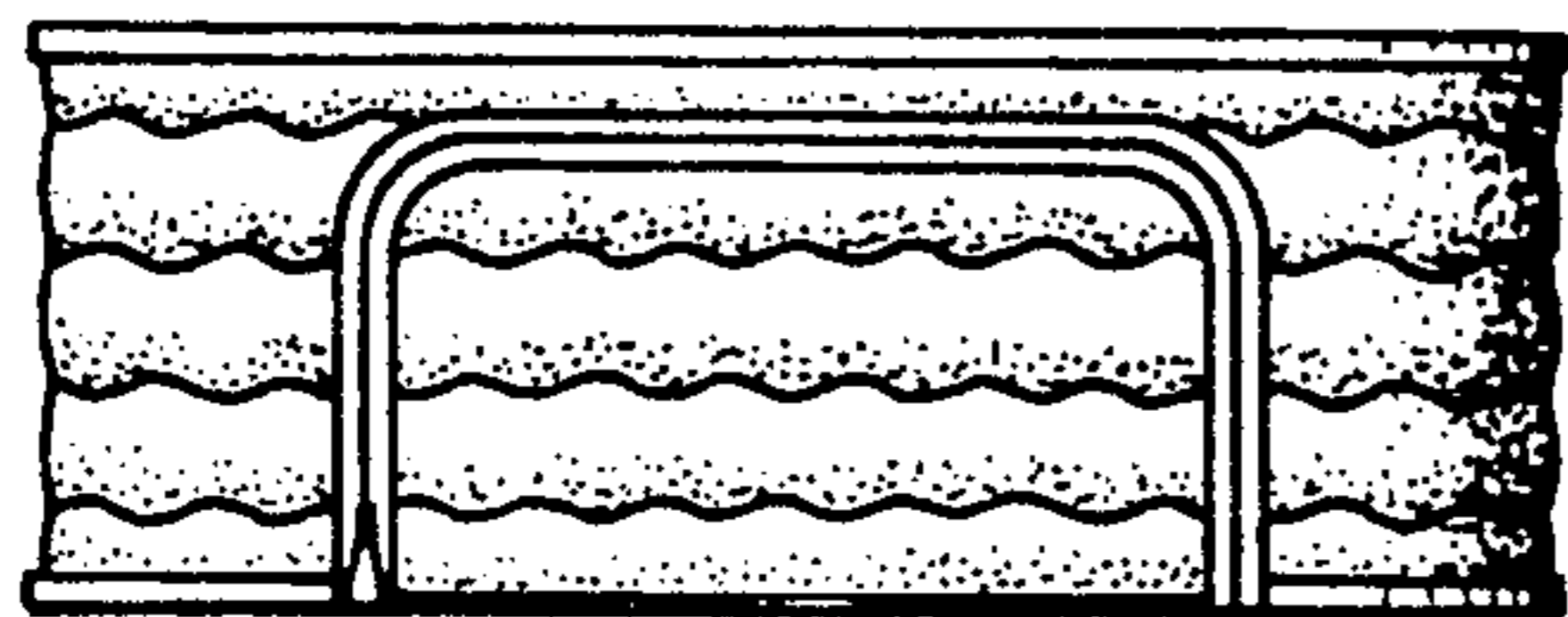
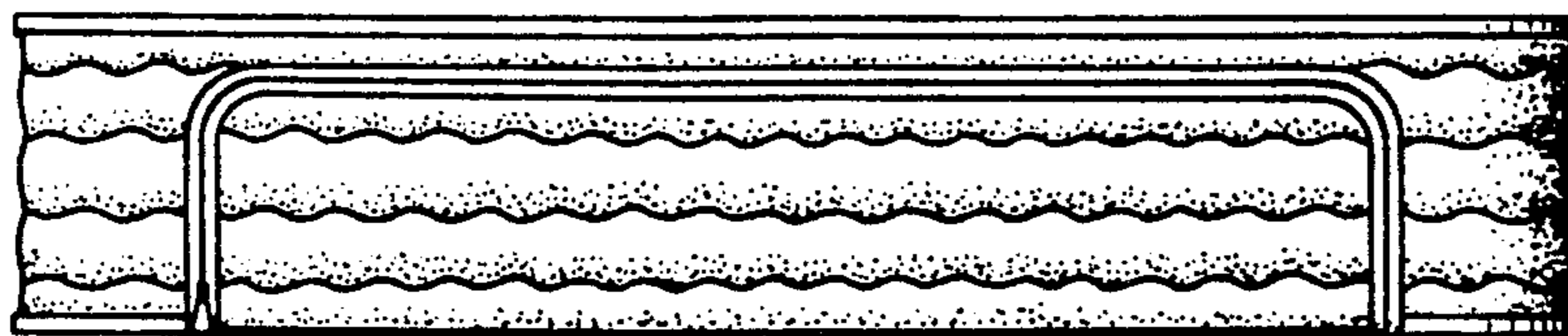


Fig. 4

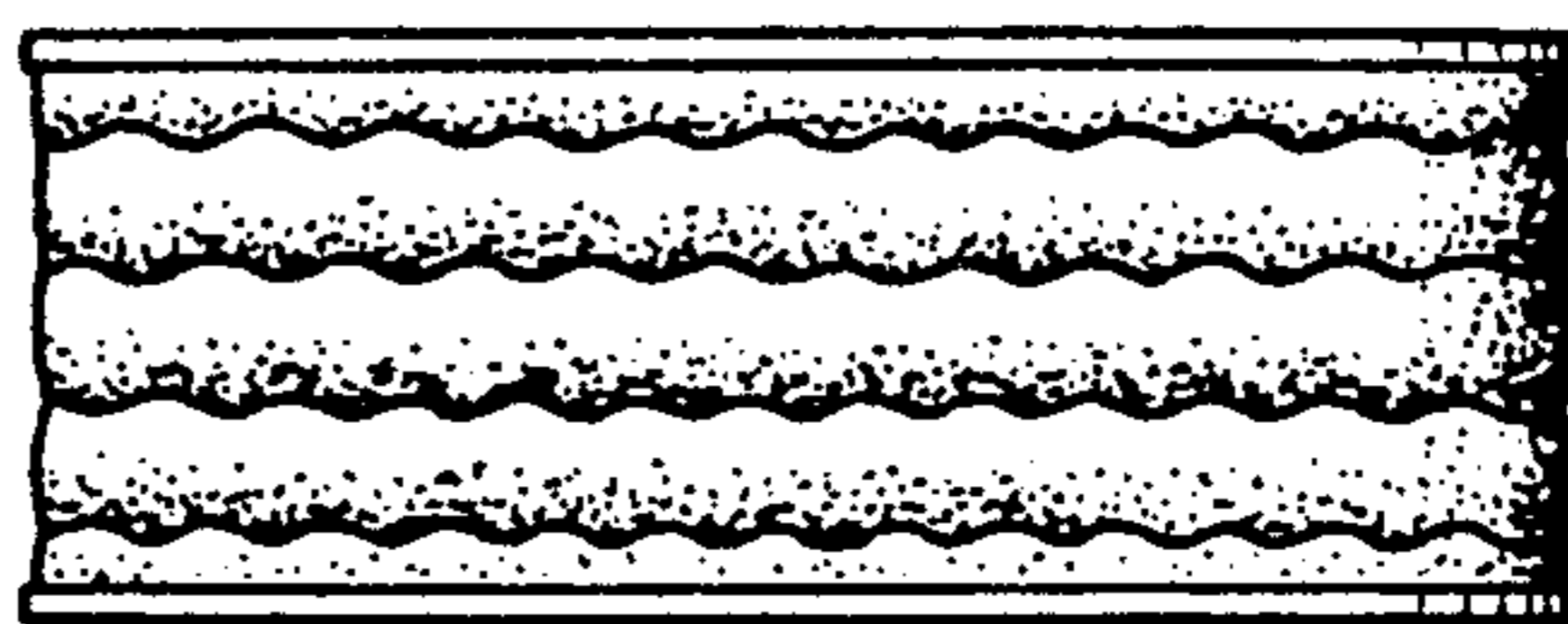


Fig. 5

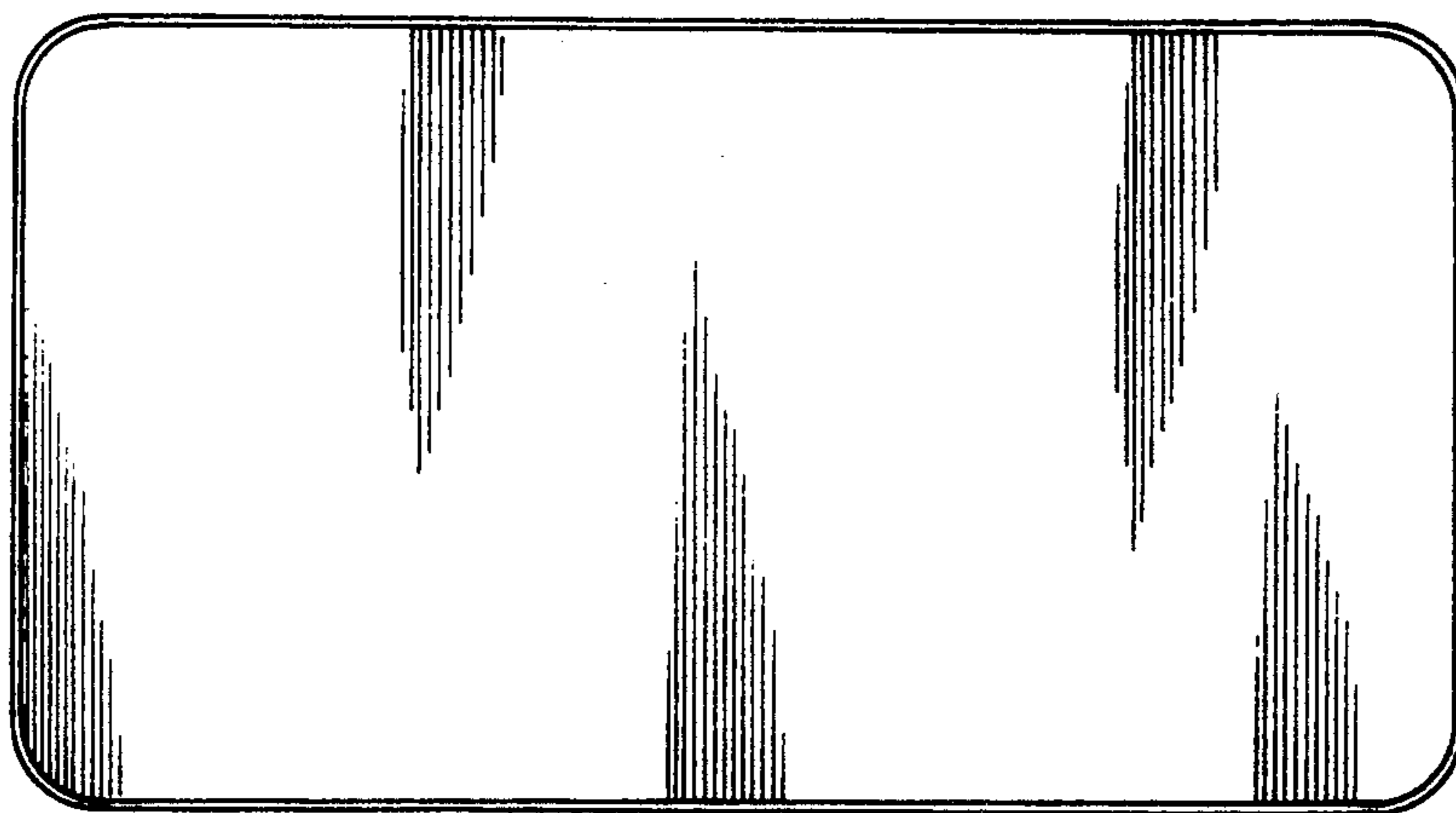


Fig. 6

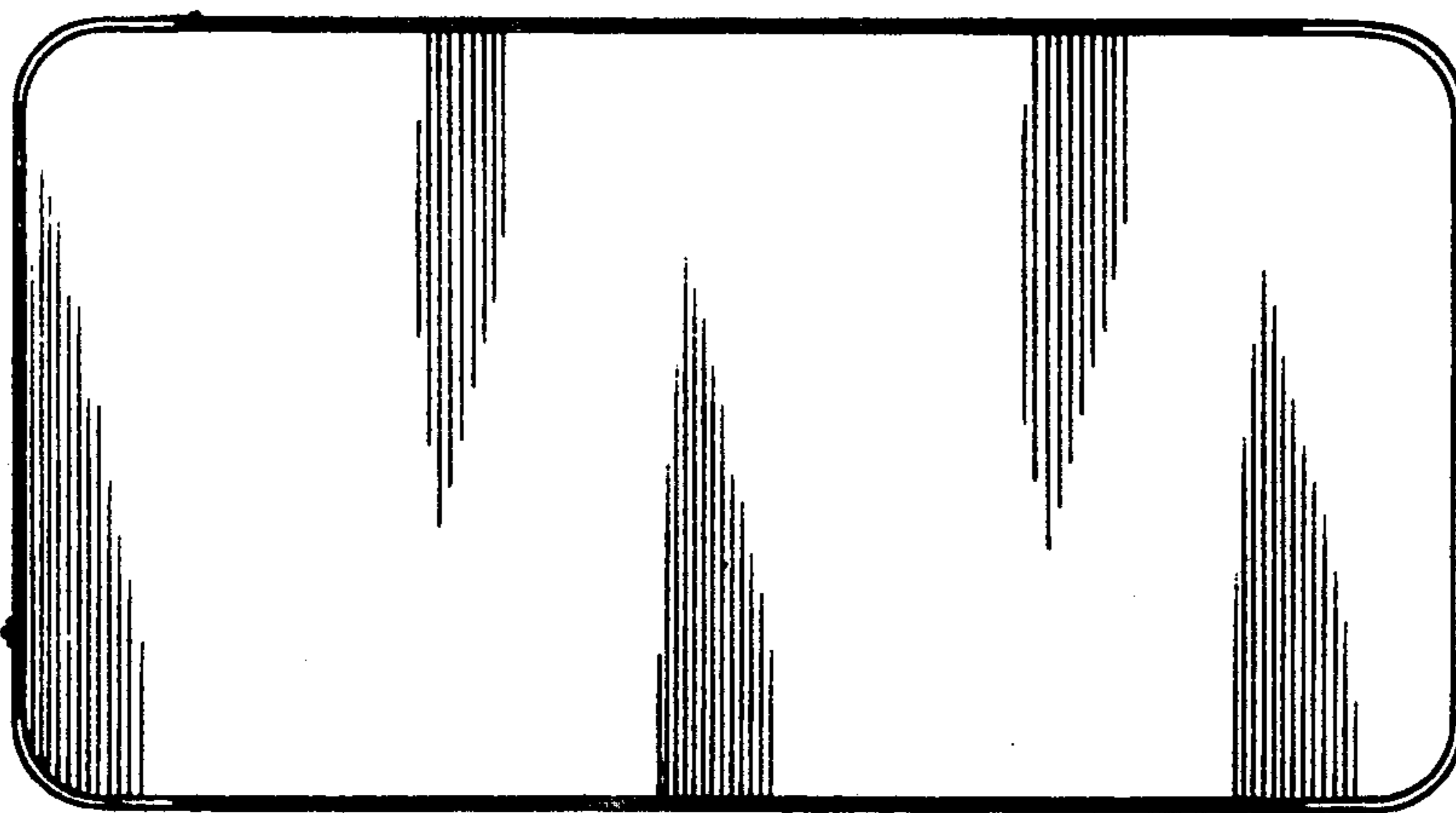


Fig. 7