



US00D334499S

# United States Patent [19]

[11] Patent Number: **Des. 334,499**

Meisner et al.

[45] Date of Patent: **\*\* Apr. 6, 1993**

## [54] COFFEE FILTER DISPENSER

[75] Inventors: **Edward H. Meisner**, Short Hills;  
**Young C. Park**, Palisades Park, both  
of N.J.

[73] Assignee: **Eagle Affiliates, Inc.**, Brooklyn, N.Y.

[\*\*] Term: **14 Years**

[21] Appl. No.: **657,691**

[22] Filed: **Feb. 19, 1991**

[52] U.S. Cl. .... **D6/515; D3/30.1;**  
**D7/601**

[58] Field of Search ..... **D6/515, 517, 536;**  
**D7/584, 590, 601, 603, 609, 637; 206/77.1, 207;**  
**220/574; 221/45, 282-286; D3/30.1, 39**

## [56] References Cited

### U.S. PATENT DOCUMENTS

D. 247,837	5/1978	Spigelman .....	D6/536
D. 269,934	8/1983	Hawkins et al. ....	D7/590
D. 309,829	8/1990	Charet et al. ....	D3/39 X
3,688,895	9/1972	Wilson .....	206/77.1

## OTHER PUBLICATIONS

Miles Kimball Company Catalog, p. 49, showing an advertisement for a "Quik Pick Filter Dispenser" (undated).

Harriet Carter Company Catalog, p. 34, showing an advertisement for a "Coffee Filter Dispenser" (undated).

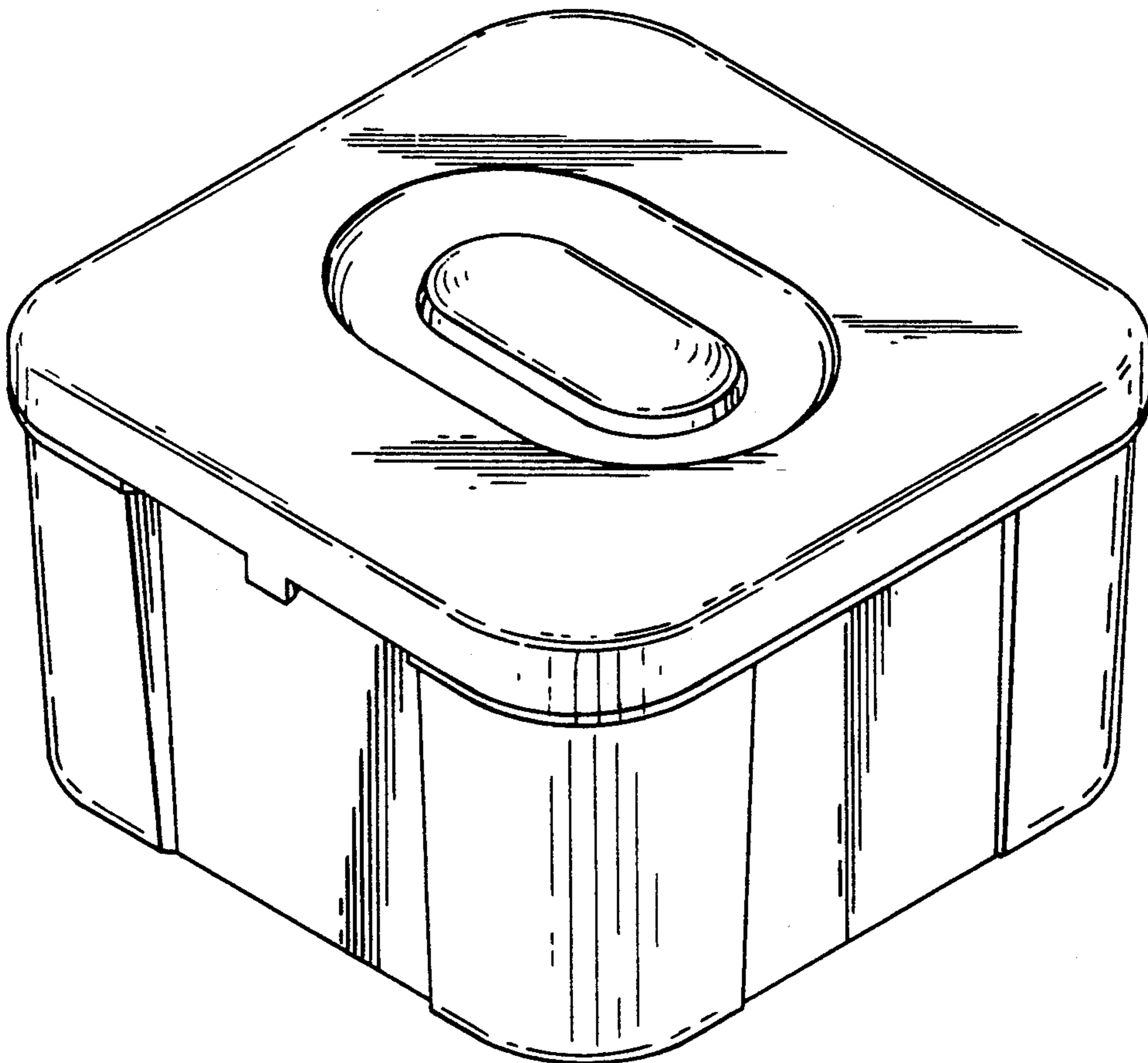
*Primary Examiner*—Brian N. Vinson  
*Attorney, Agent, or Firm*—Caesar, Rivise, Bernstein,  
Cohen & Pokotilow, Ltd.

## [57] CLAIM

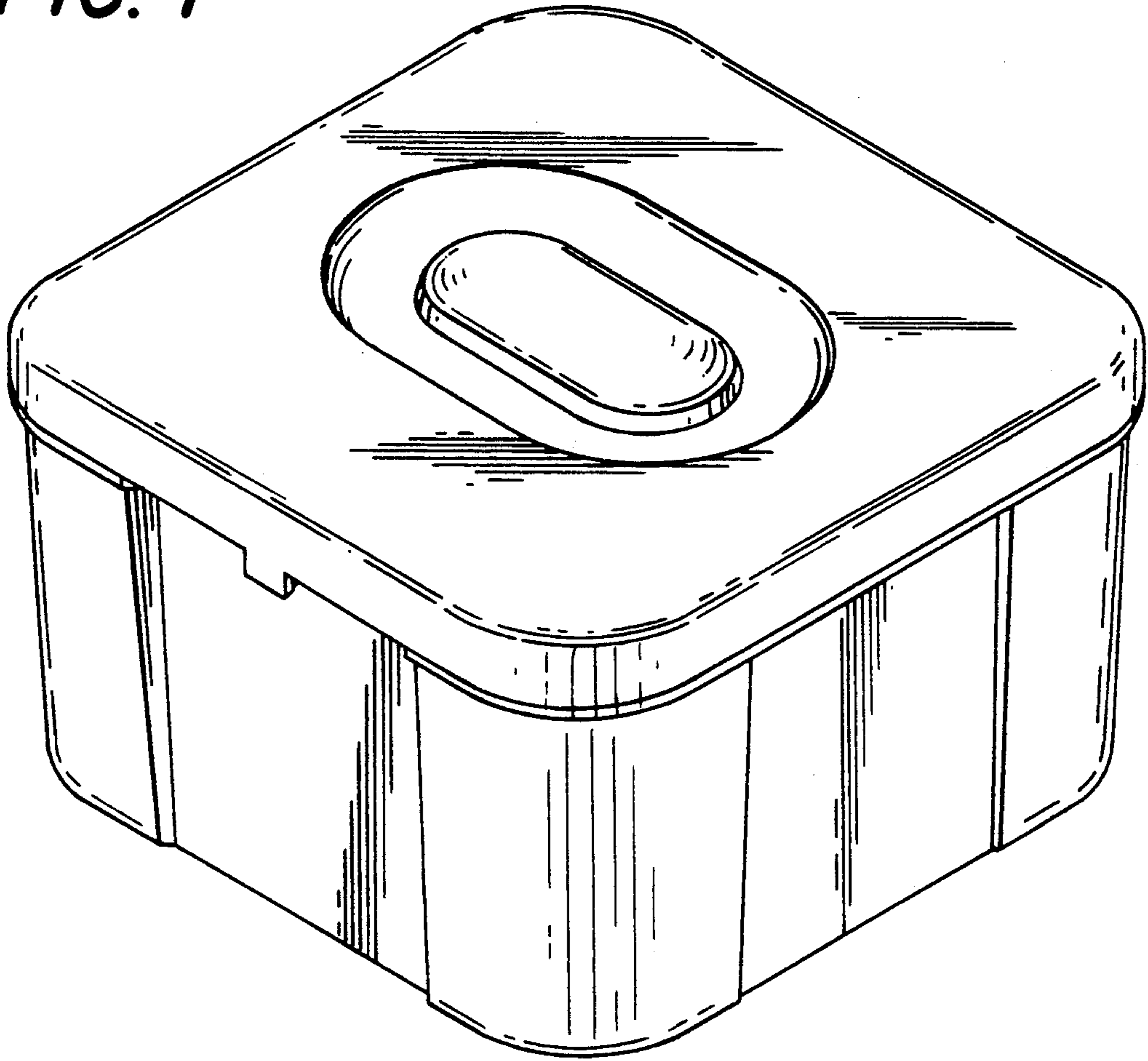
The ornamental design for a coffee filter dispenser, as shown and described.

## DESCRIPTION

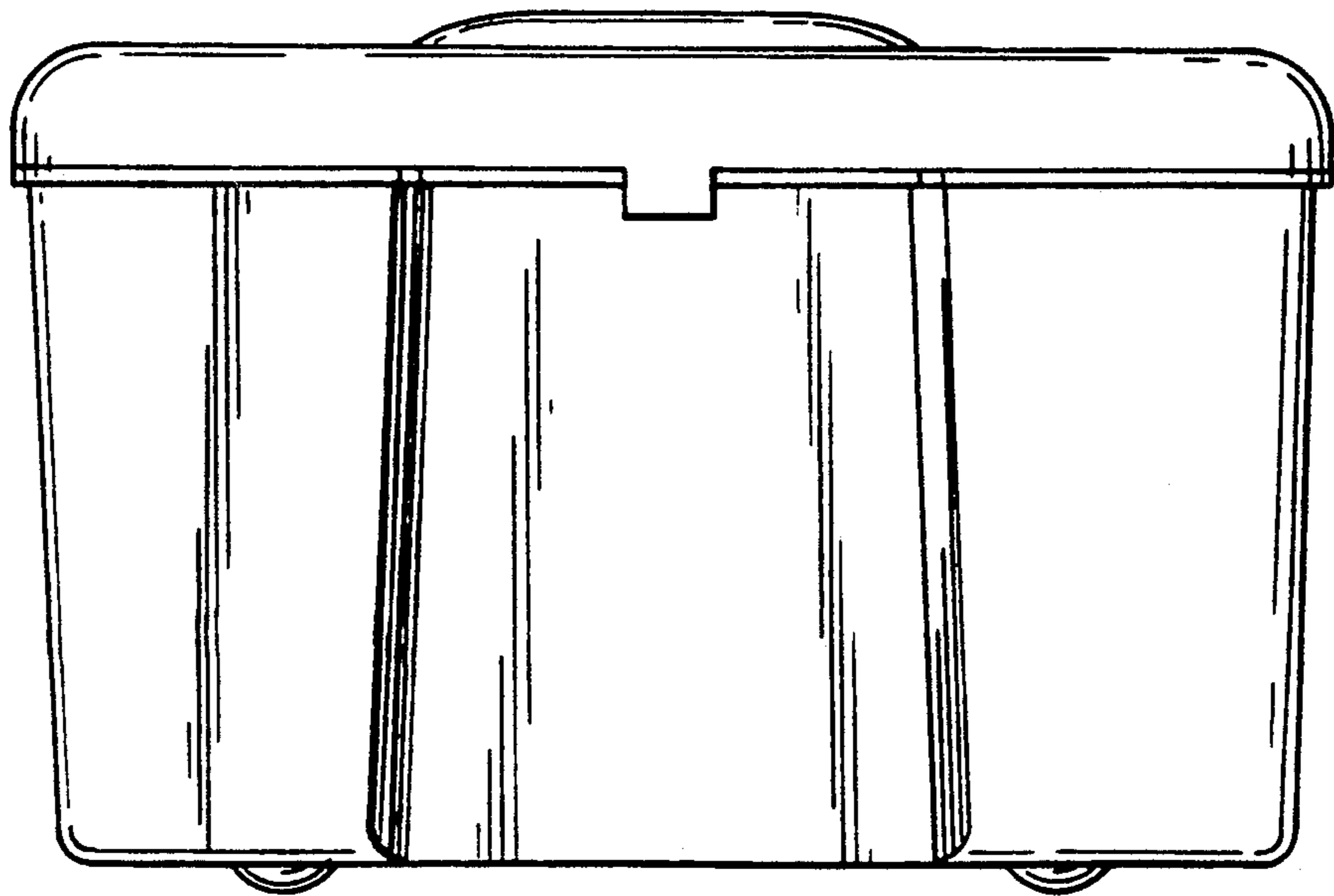
FIG. 1 is a top, front, and right side perspective view of a coffee filter dispenser showing our new design; FIG. 2 is a front elevational view thereof; FIG. 3 is a top plan view thereof; FIG. 4 is a left side elevational view thereof, the right side being a mirror image of that shown; FIG. 5 is a bottom plan view thereof; and, FIG. 6 is a rear elevational view thereof.



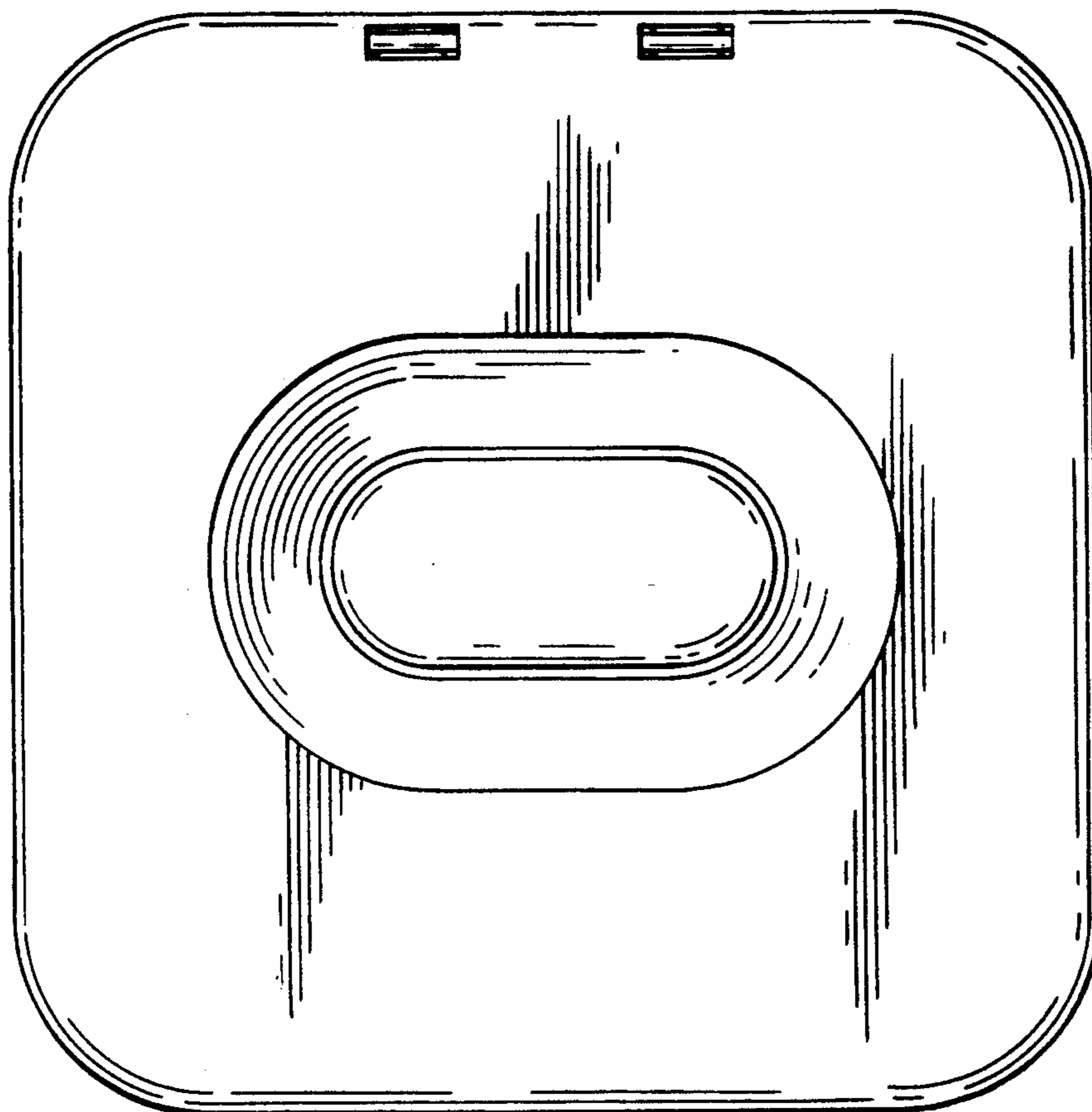
**FIG. 1**



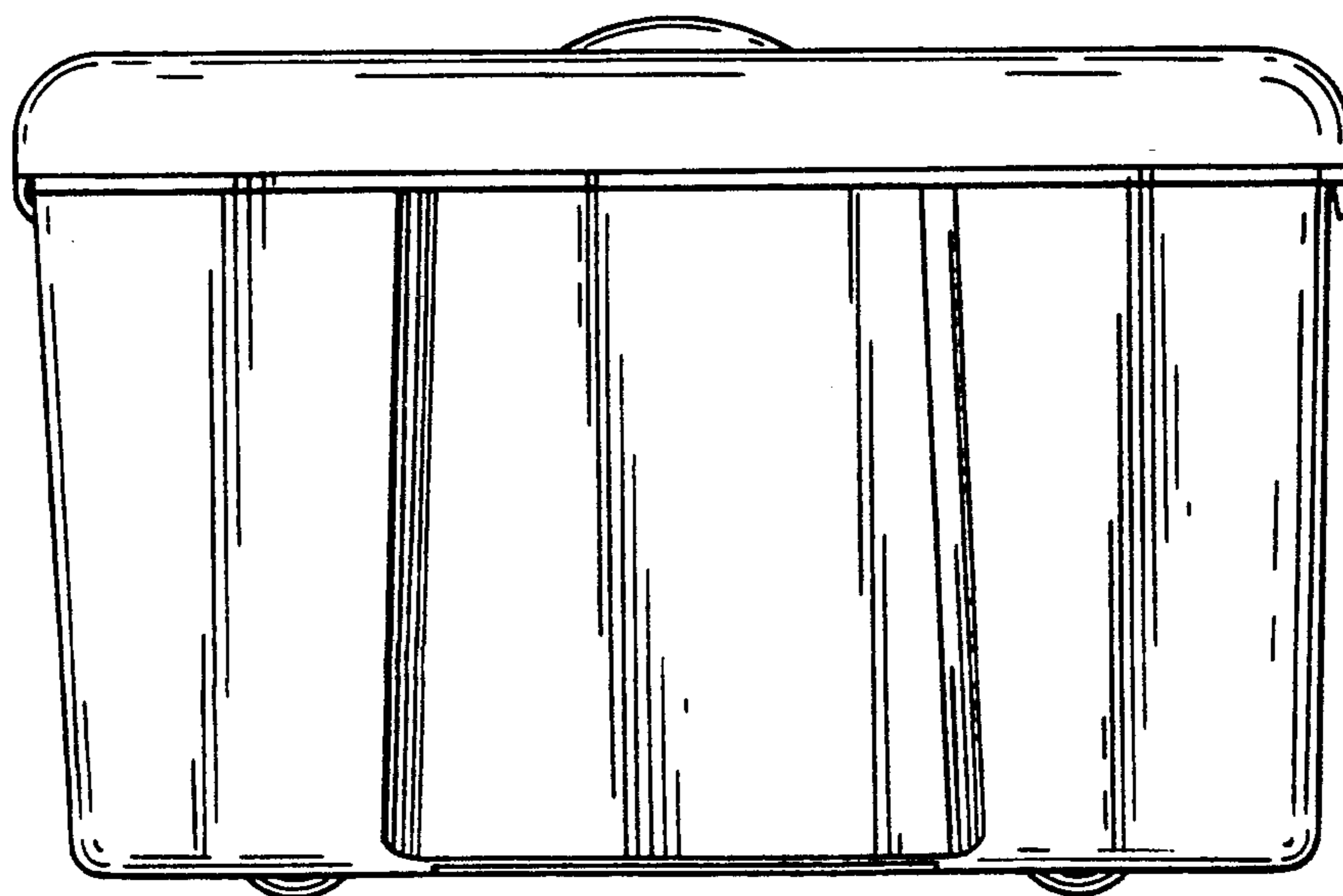
**FIG. 2**



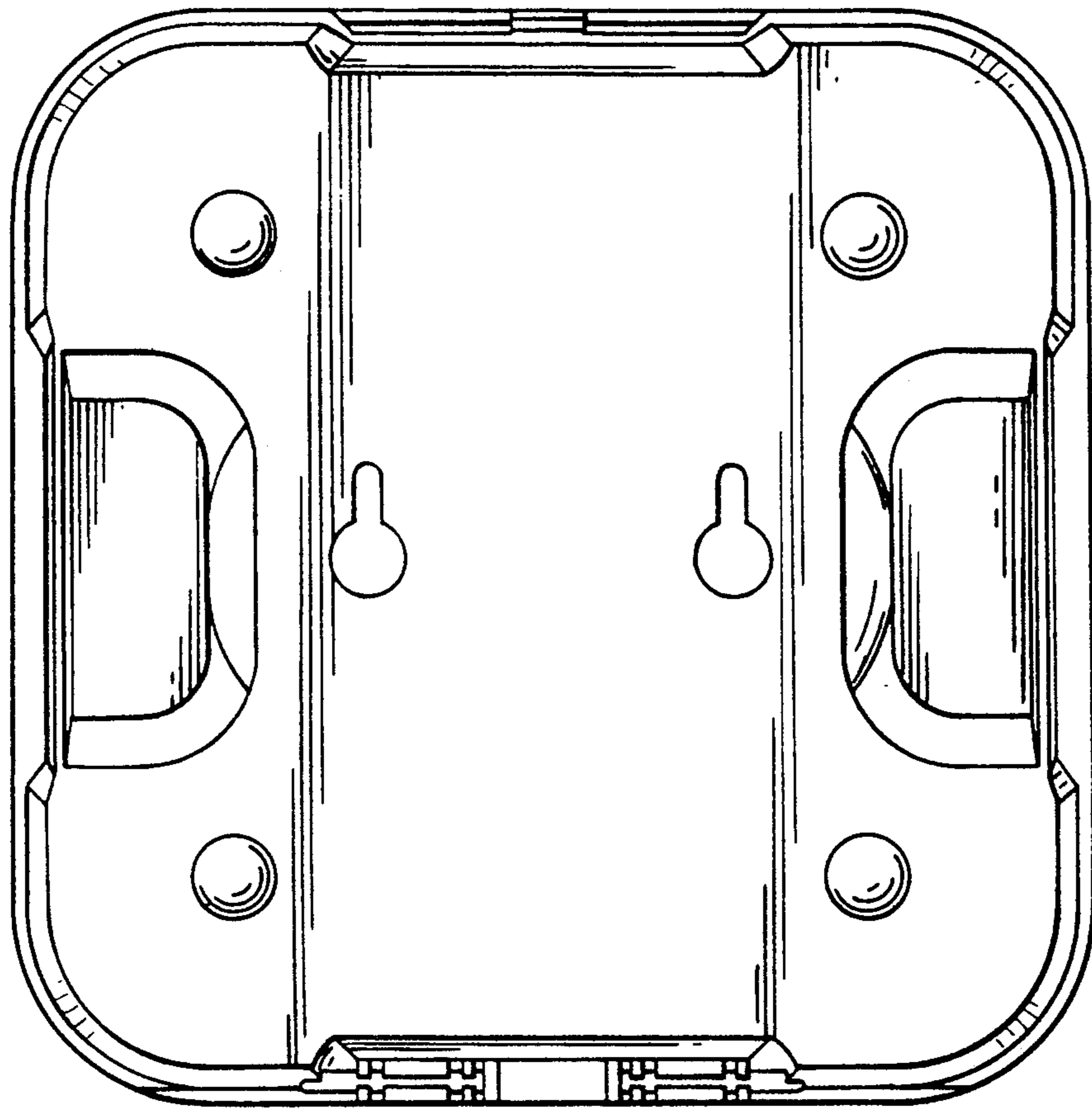
**FIG. 3**



**FIG. 4**



**FIG. 5**



**FIG. 6**

