



US00D334498S

# United States Patent [19]

[11] Patent Number: **Des. 334,498**

Romme et al.

[45] Date of Patent: **\*\* Apr. 6, 1993**

[54] **LENS TISSUE DISPENSING UNIT**

4,524,871 6/1985 Klinger ..... 206/233  
4,739,809 4/1988 Adams ..... 150/112

[75] Inventors: **Steve J. Romme, Woodstock; L. Wesley Smith, Roswell, both of Ga.**

[73] Assignee: **Kimberly-Clark Corporation, Neenah, Wis.**

[\*\*] Term: **14 Years**

[21] Appl. No.: **627,426**

[22] Filed: **Dec. 14, 1990**

[52] U.S. Cl. .... **D6/515; D9/418**

[58] Field of Search ..... **D6/515, 517-518, D6/522-523; 221/22, 33-34, 45, 92, 155, 197, 282-283, 287; 312/37; D9/414, 418, 432-433**

[56] **References Cited**

**U.S. PATENT DOCUMENTS**

D. 30,089	1/1899	Zuck .....	D9/418
D. 167,247	7/1952	Barnett et al. ....	D4/3
D. 170,673	10/1953	Ziskin et al. ....	D4/3
D. 275,837	10/1984	Poelvoorde .....	D9/418
D. 277,169	1/1985	Ho et al. ....	D9/418
D. 289,140	4/1987	Fischer et al. ....	D8/373
D. 309,262	7/1990	Coiner .....	D9/418
1,198,428	9/1916	Elsas .	
1,523,685	1/1925	Cohn .	
1,692,463	11/1928	Merrin .	
1,975,557	10/1934	Shaffer .....	312/61
2,069,264	2/1937	Morris .....	312/61
2,411,310	11/1946	Wilkins .....	206/47
2,775,365	12/1956	Mestman et al. ....	221/44
2,789,725	4/1957	Carper .....	221/56
2,985,289	5/1961	Uren .....	206/47
3,110,467	11/1963	Dube .....	248/311
3,235,196	2/1966	Platt .....	242/55.53
3,259,139	7/1966	Bell et al. ....	134/47
3,307,687	3/1967	Steinman .....	206/47
3,459,329	8/1969	Mochizuki et al. ....	221/34
4,469,243	9/1984	Ito et al. ....	221/34
4,478,354	10/1984	Notheis .....	221/34

**OTHER PUBLICATIONS**

Bausch and Lomb Sight Savers® Dispensers (undated).  
Fort Howard—Dispensers/Tools (undated).  
CWR Scientific—Paper Nos. 928 and 929 (undated).  
Eastco—Disposable Eyeglass Cleaning Station Ad (undated).  
Eastco—Lensclean Inc. Ad (undated).  
Magic Product Catalog (undated).  
Shield Lenscare Products Inc. Catalog (undated).  
Albro—"How To Promote Eye Safety With A Lens Cleaning Program" pp. 583-594 (undated).  
Curtin Matheson Scientific, Inc.—Paper—Section II—pp. 47, 277-278 (undated).  
VWR Scientific Inc.—Section 56 (undated).

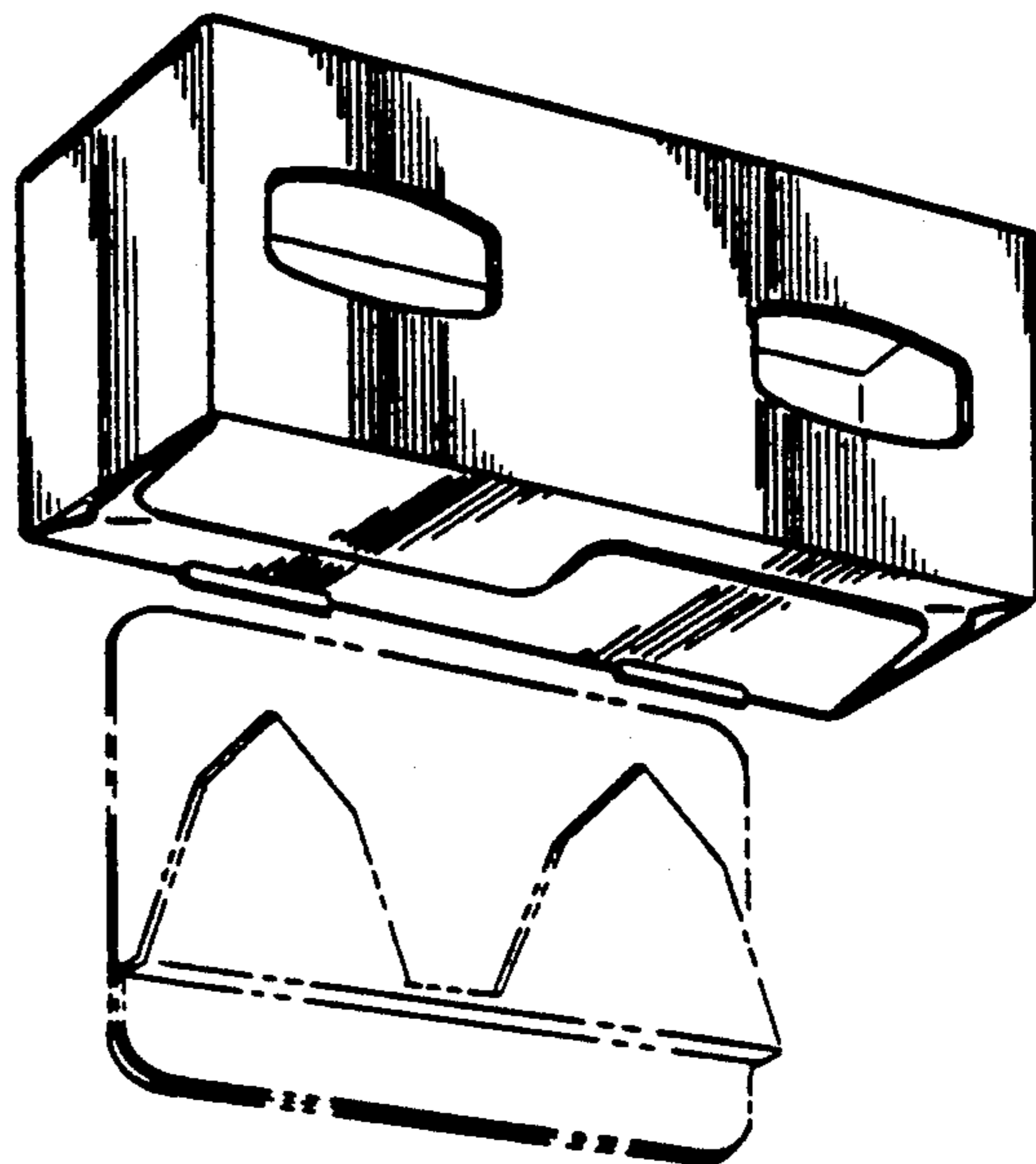
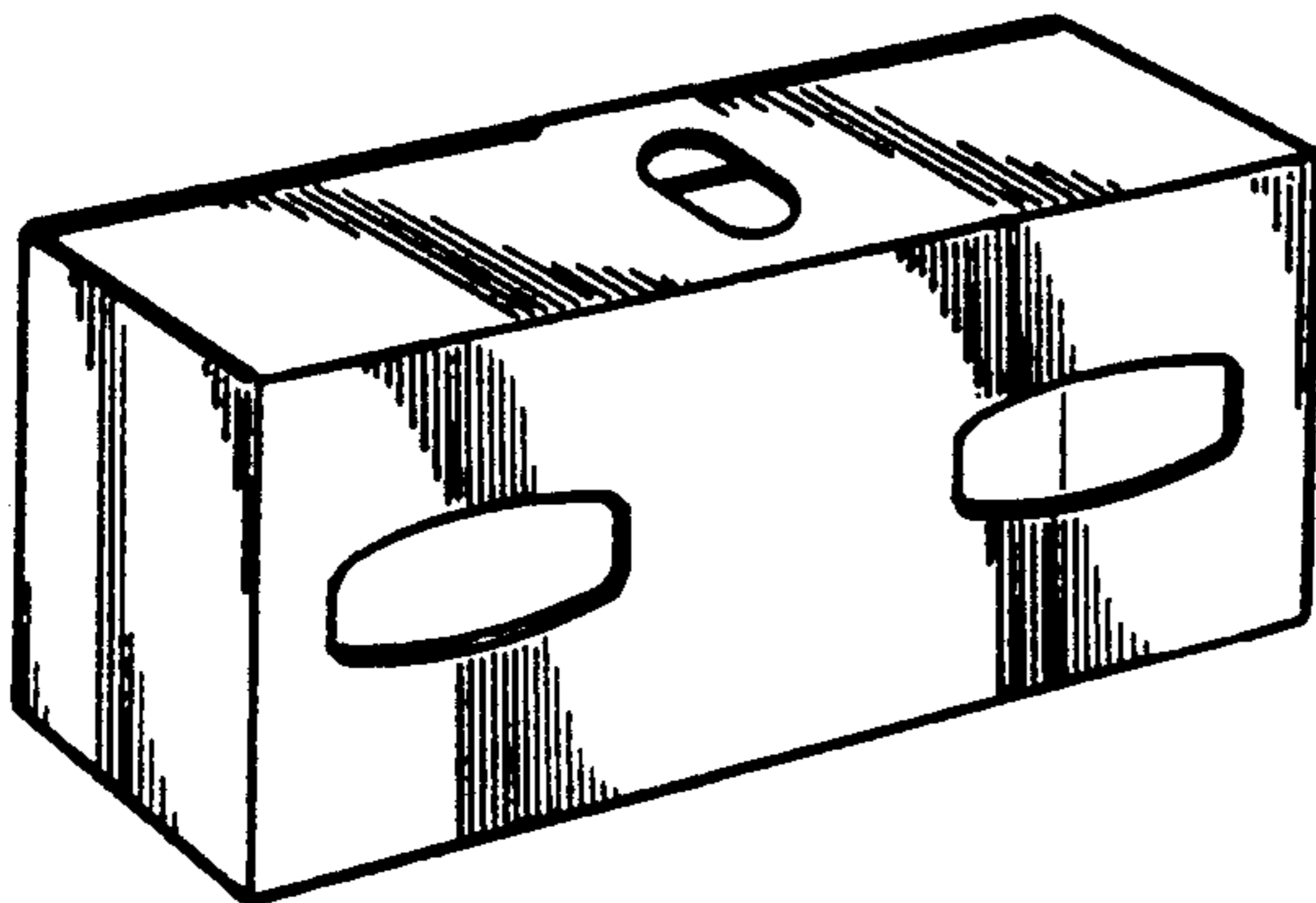
*Primary Examiner*—Brian N. Vinson  
*Attorney, Agent, or Firm*—William D. Herrick

[57] **CLAIM**

The ornamental design for lens tissue dispensing unit, as shown and described.

**DESCRIPTION**

FIG. 1 is a front view of the lens tissue dispensing unit showing our new design;  
FIG. 2 is a top view thereof;  
FIGS. 3 and 4 are opposing left and right side views thereof;  
FIG. 5 is a bottom view thereof;  
FIG. 6 is a back view thereof;  
FIG. 7 is a top, front, and left side perspective view thereof; and,  
FIG. 8 is a bottom, front and left side perspective view thereof, with the broken-line disclosure of a mounting means being shown for illustrative purposes only and forming no part of the claimed design.



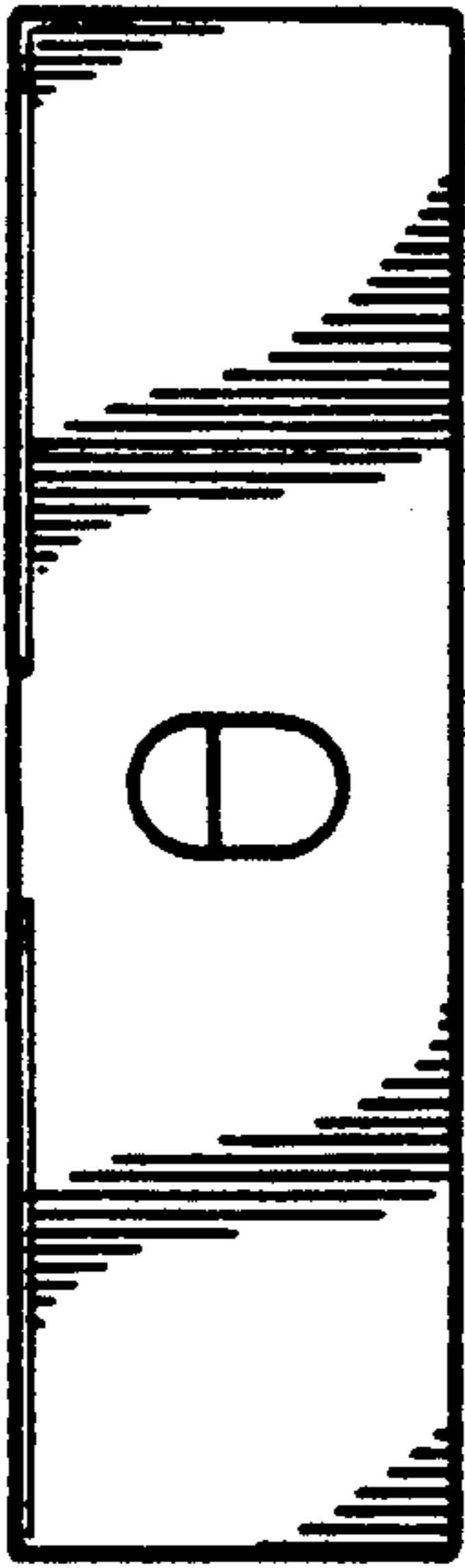


FIG. 2

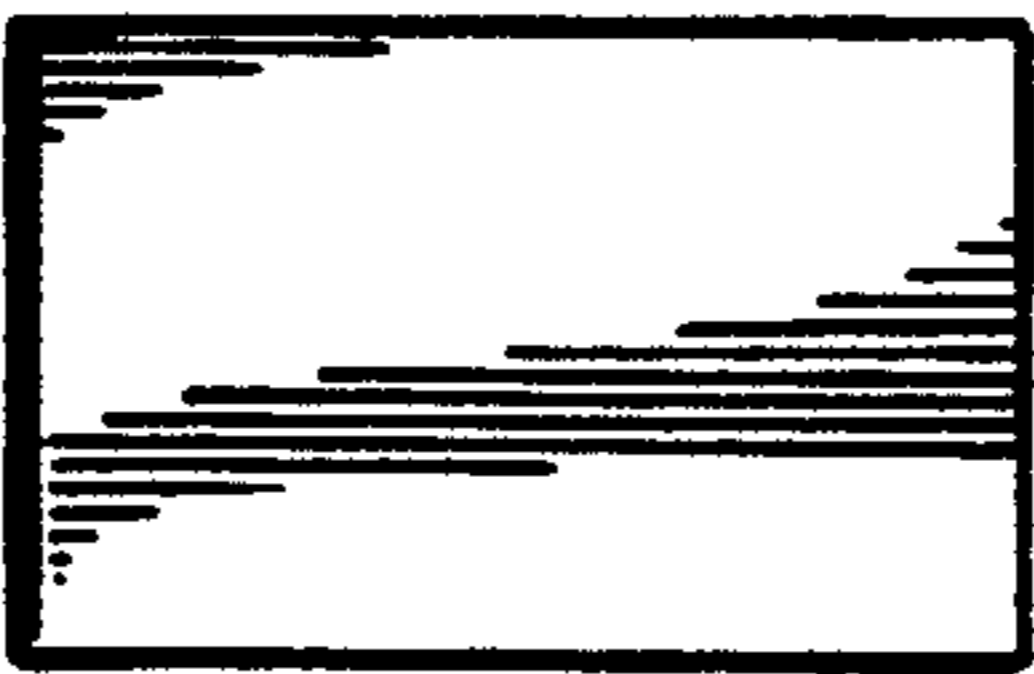


FIG. 4

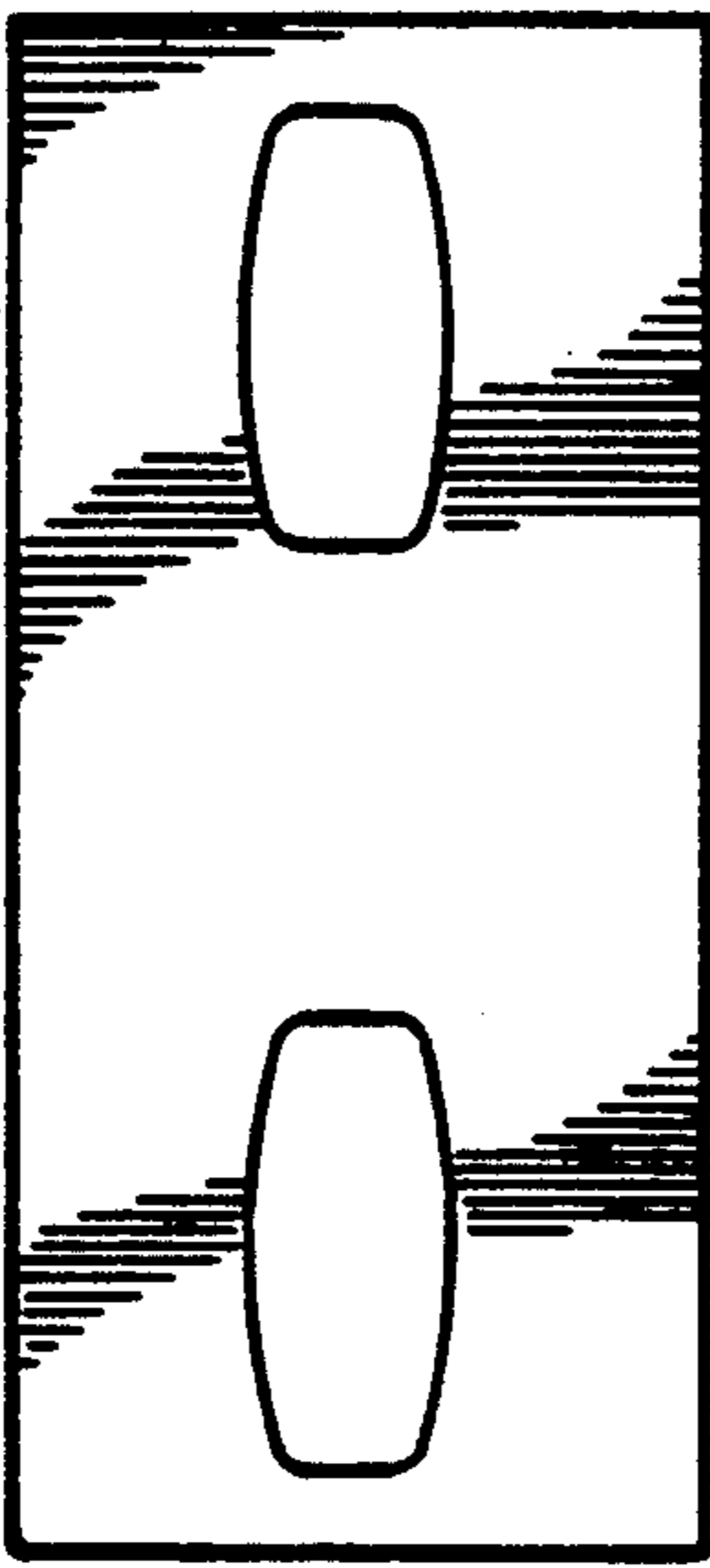


FIG. 1

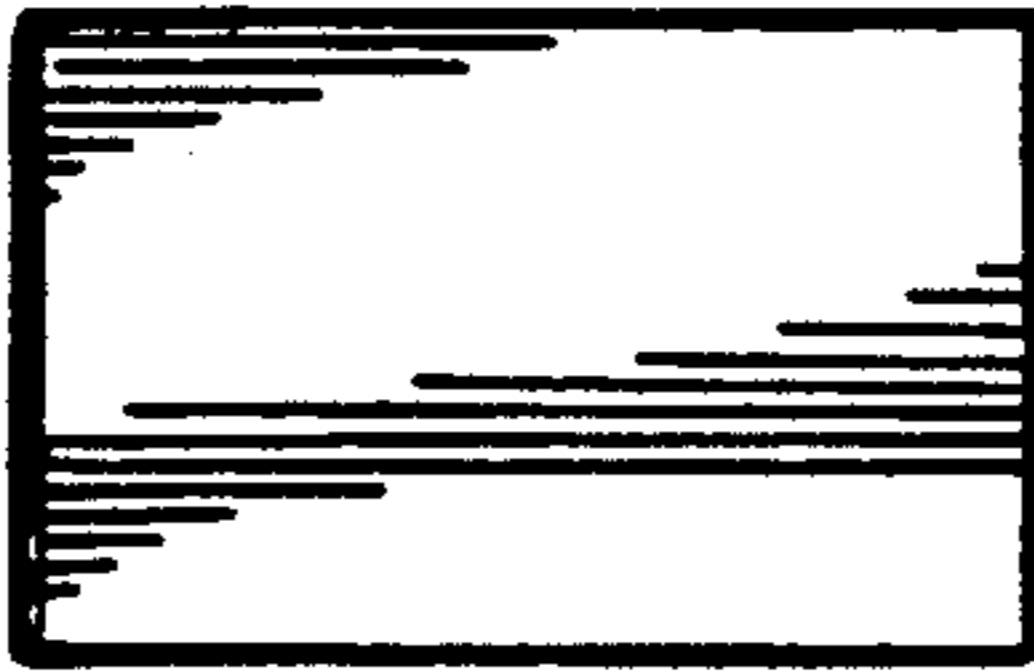


FIG. 3

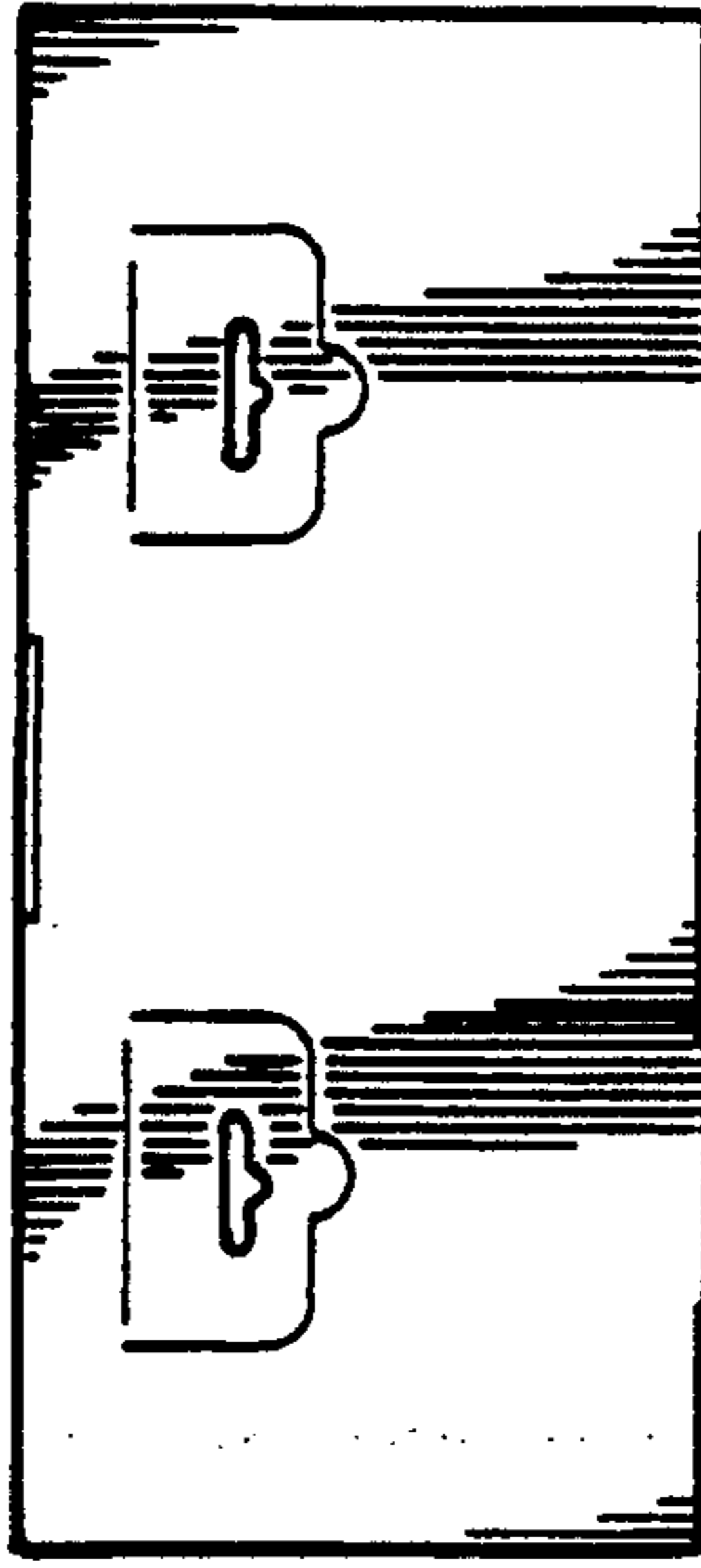


FIG. 6

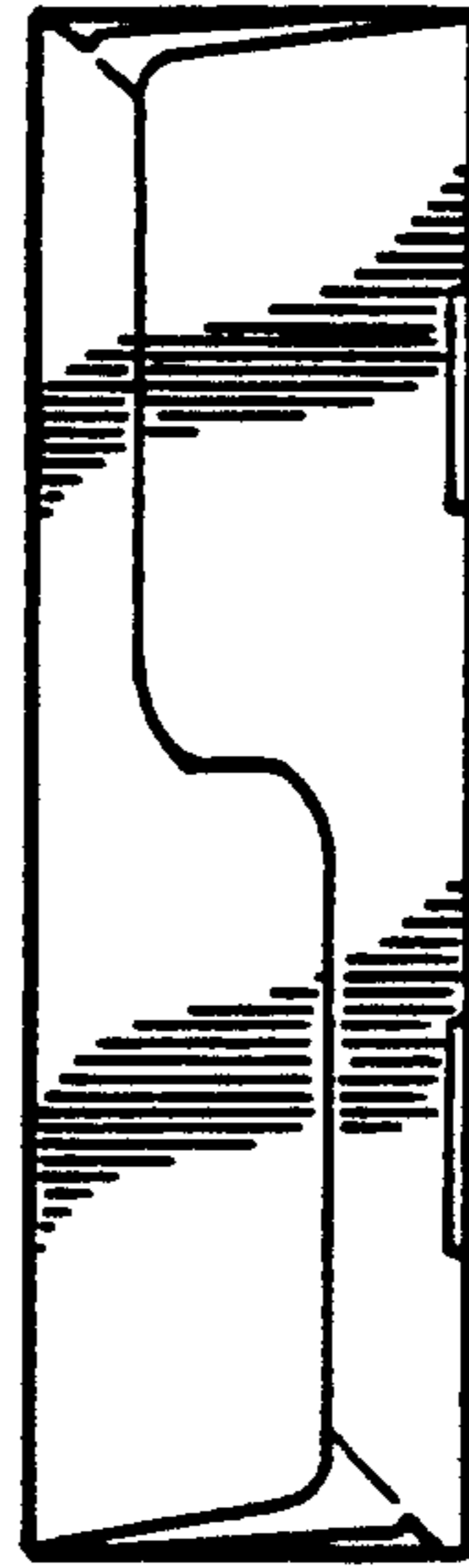


FIG. 5

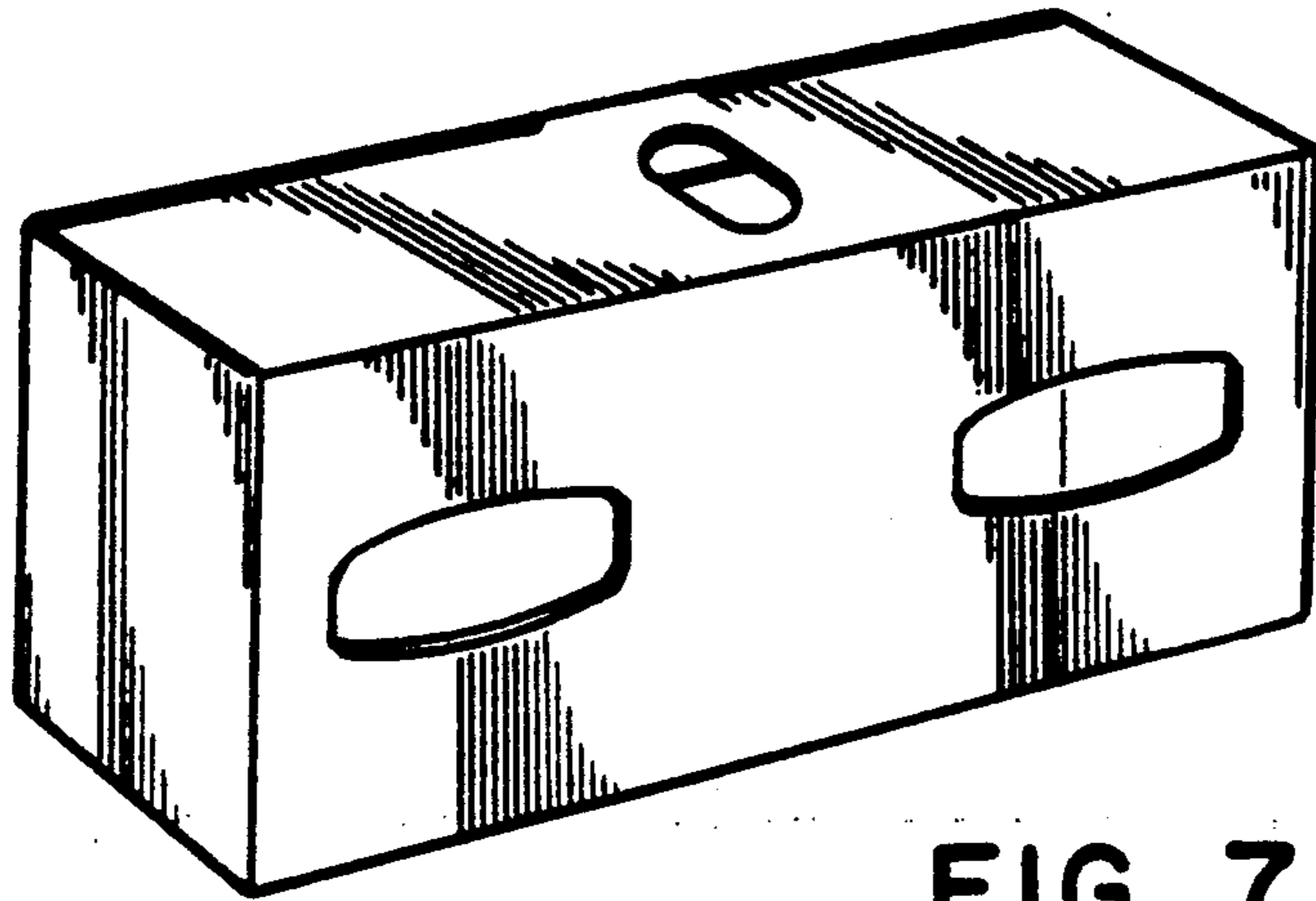


FIG. 7

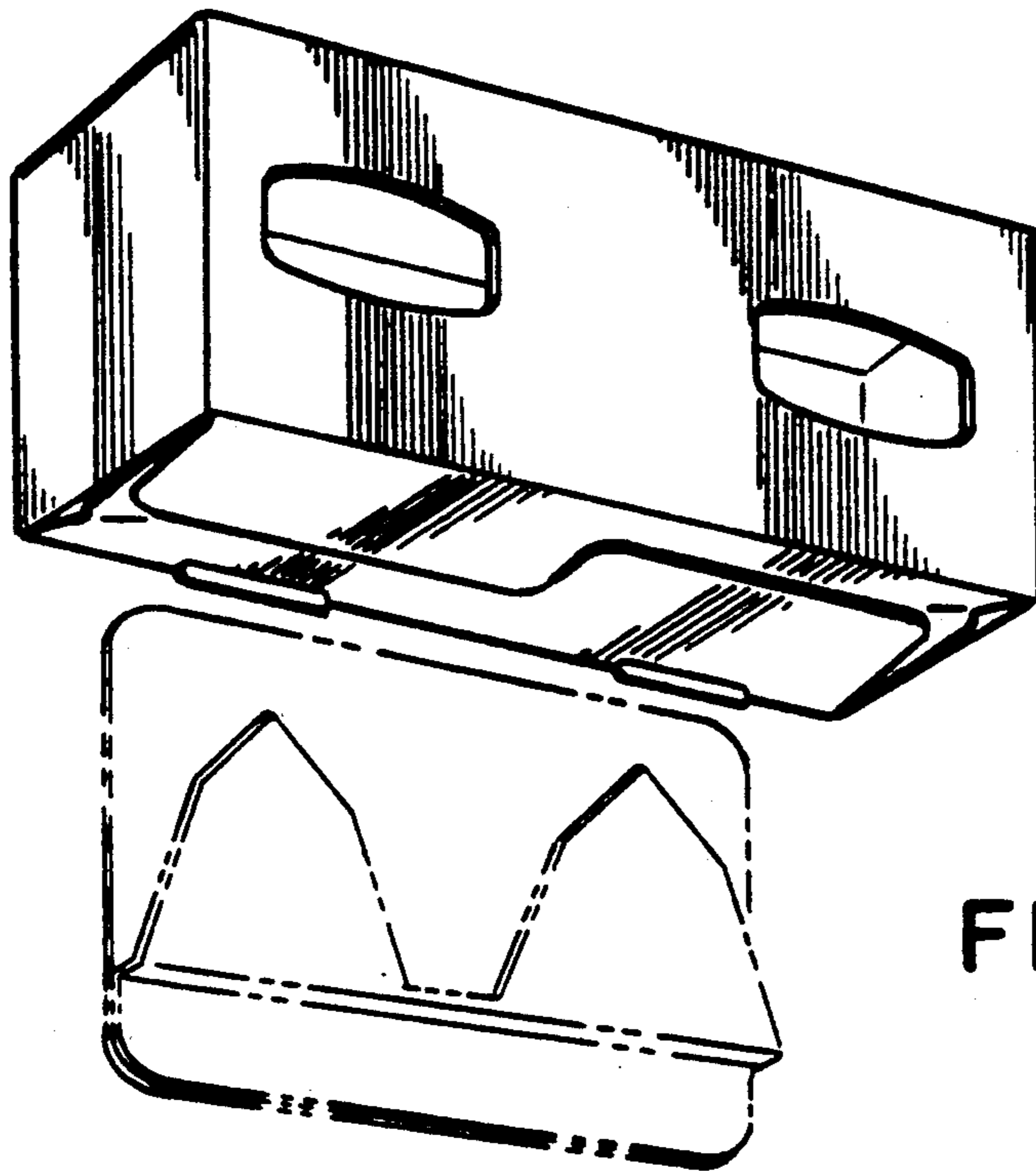


FIG. 8