



US00D334494S

United States Patent [19]
Stein

[11] **Patent Number: Des. 334,494**
[45] **Date of Patent: ** Apr. 6, 1993**

[54] **DISPLAY HOLDER**

[56] **References Cited**

U.S. PATENT DOCUMENTS

[76] **Inventor: Linda C. Stein, 1139 Ivy Wall Dr., Houston, Tex. 77079**

- D. 122,781 10/1940 Muhlhauser D6/476
- D. 214,323 6/1969 Penter D6/310
- D. 288,483 2/1987 Mora D24/230
- D. 291,176 8/1987 Sokol D6/574 X
- D. 314,114 1/1991 Steinman D6/567
- D. 323,091 1/1992 Boschetto D6/574

[**] **Term: 14 Years**

Primary Examiner—Alan P. Douglas
Assistant Examiner—Jeffrey Asch
Attorney, Agent, or Firm—Kenneth A. Roddy

[21] **Appl. No.: 694,866**

[57] **CLAIM**

The ornamental design for a display holder, as shown and described.

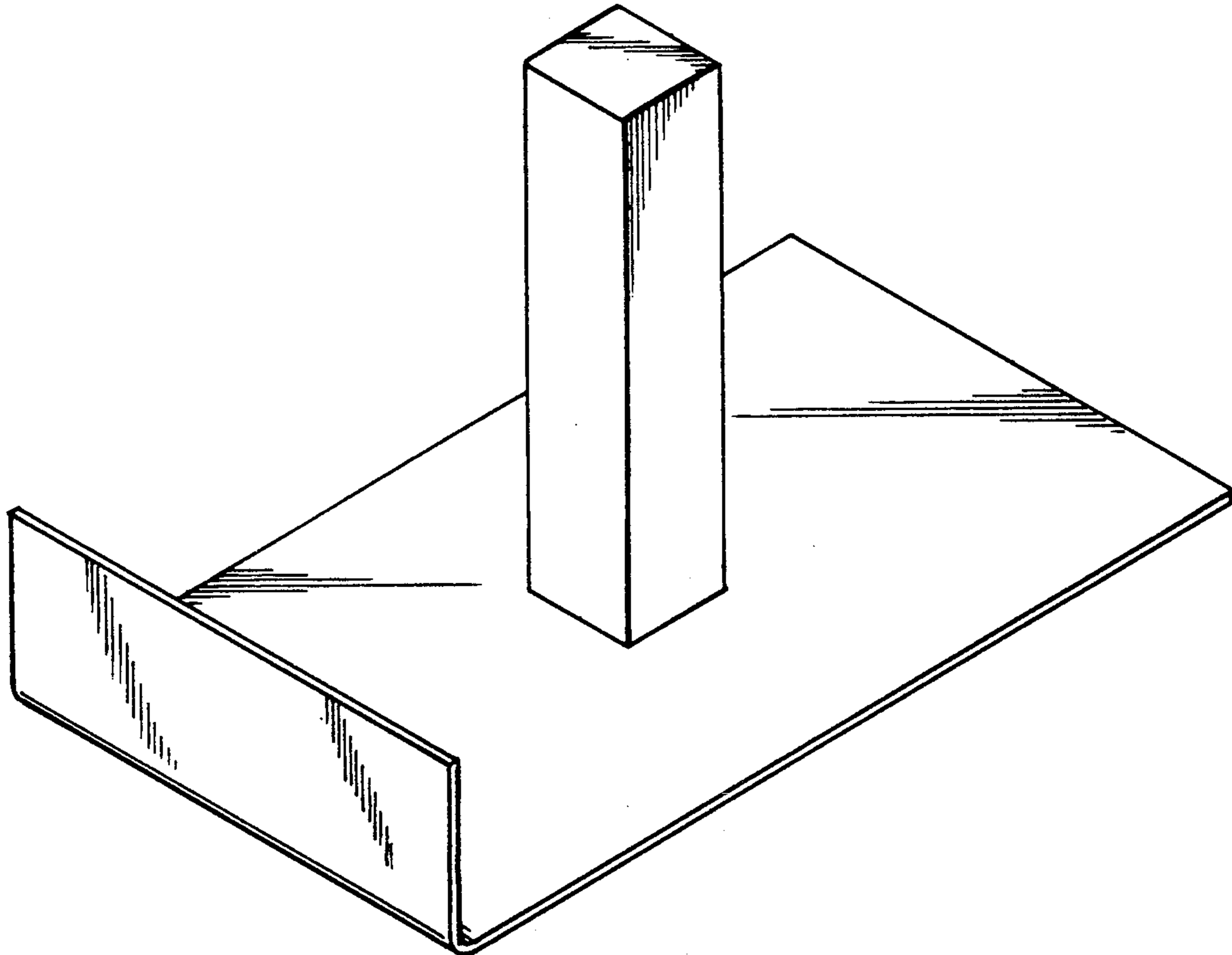
[22] **Filed: Apr. 23, 1991**

DESCRIPTION

[52] **U.S. Cl. D6/466; D6/300; D6/310; D6/419**

[58] **Field of Search D6/300, 301, 310-314, D6/449, 396, 419, 466, 467, 468, 475, 468, 475, 476, 509-511, 567-574; 211/13, 42, 44; D19/90, 91; 248/441.1; 40/152.1, 158.1, 341; D24/230**

FIG. 1 is a top, front and right side perspective view of a display holder showing my new design; and, FIG. 2 is a bottom, rear, and left side perspective view thereof.



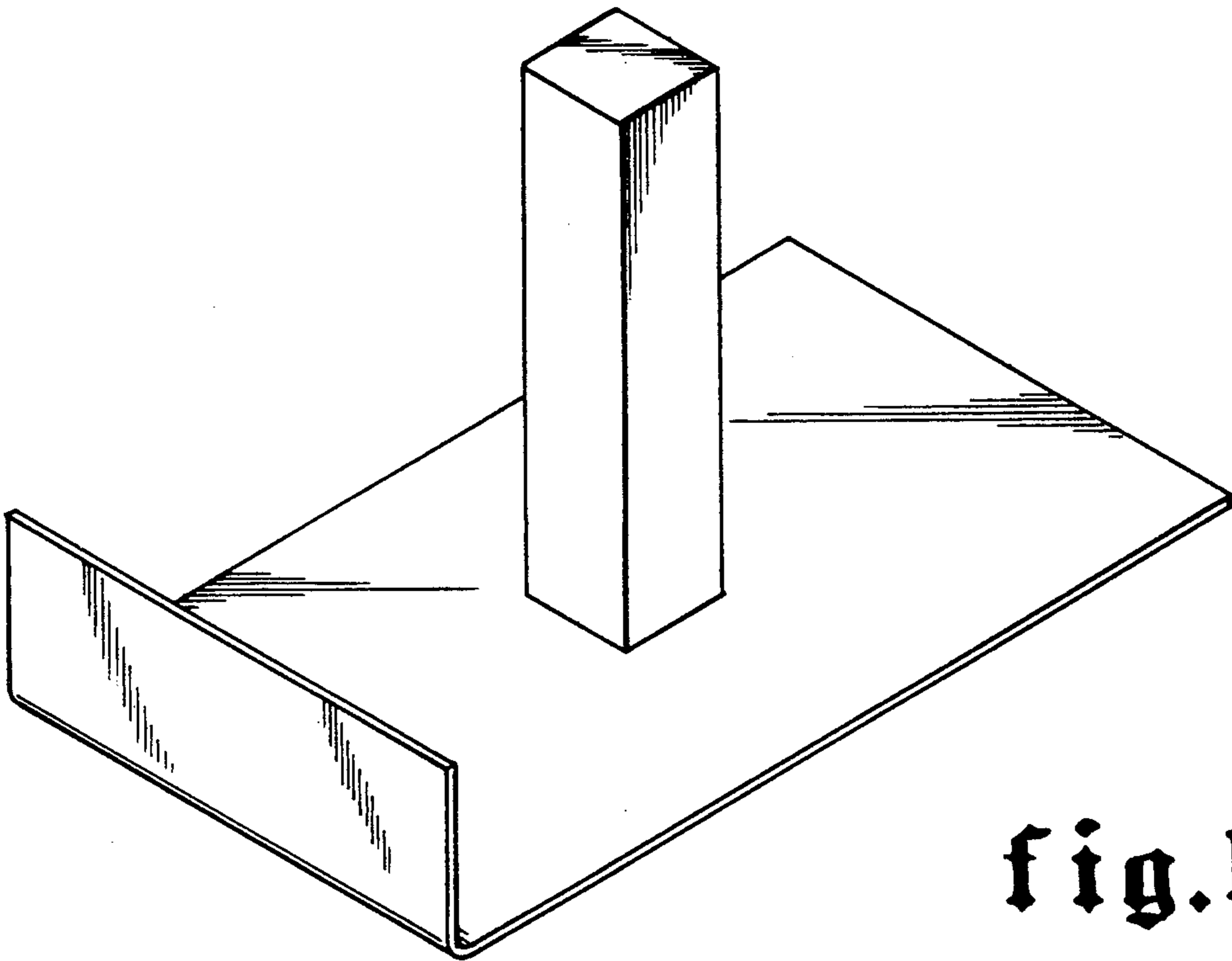


fig. 1

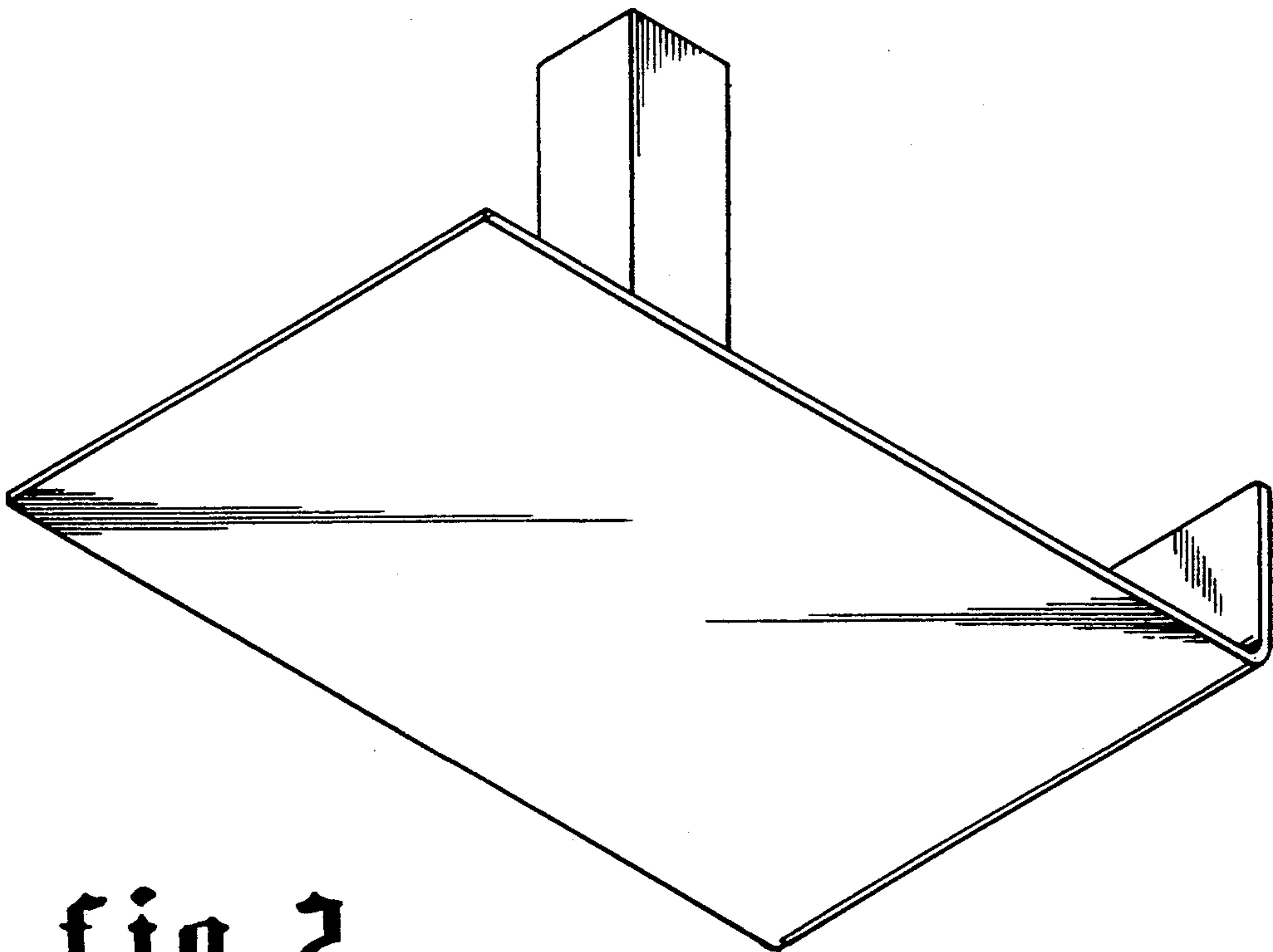


fig. 2