



US00D334492S

United States Patent [19]

[11] Patent Number: **Des. 334,492**

Morello

[45] Date of Patent: **** Apr. 6, 1993**

[54] **SPRAY GUN AND STRAINER HOLDER**

[76] Inventor: **Tony Morello, 102 Liberty St.,
Marseilles, Ill. 61341**

[**] Term: **14 Years**

[21] Appl. No.: **507,067**

[22] Filed: **Apr. 4, 1990**

[52] U.S. Cl. **D6/462; D6/467;
D6/469; D8/71**

[58] Field of Search **D6/396, 449, 462-465,
D6/466-469, 475, 476, 552; D8/71;
D7/618-620; D3/30.1; 211/13, 60.1, 70.6;
248/102, 103, 346**

[56] **References Cited**

U.S. PATENT DOCUMENTS

- D. 180,037 4/1957 Singiser D3/30.1
- D. 224,137 7/1972 Steffen D7/619
- D. 267,841 2/1983 Leslie D7/618 X
- D. 290,794 7/1987 Mingledorff, Jr. D6/462

- D. 299,199 1/1989 Rogowski D6/552
- D. 307,851 5/1990 Polidoros D7/620 X
- D. 314,287 2/1991 Albright, Sr. D6/552 X
- D. 325,850 5/1992 Chaney D7/619
- 2,059,445 11/1936 Eastman .
- 3,532,225 10/1970 Reed .
- 4,730,799 3/1988 Foss .

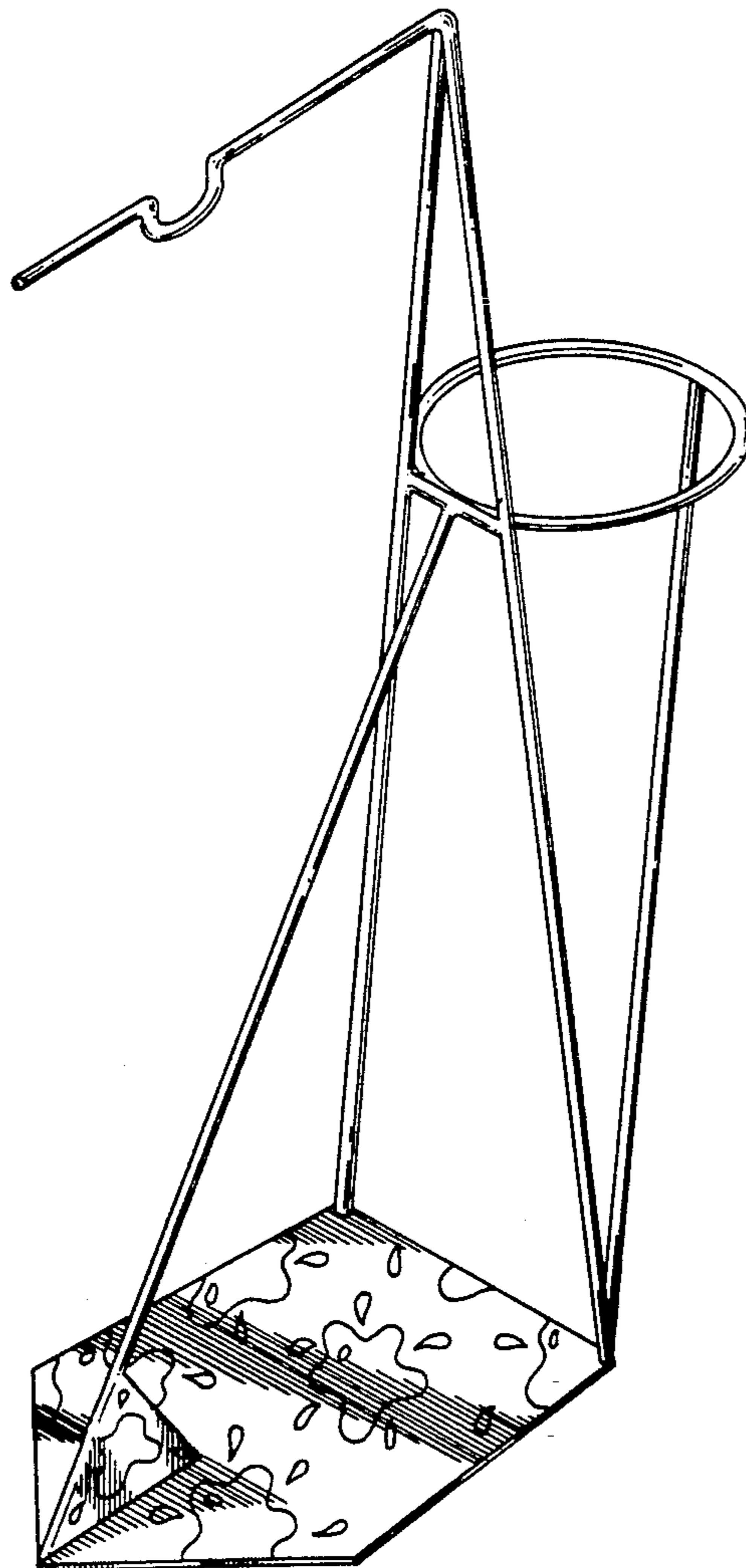
Primary Examiner—Nelson C. Holtje
Assistant Examiner—Jeffrey Asch
Attorney, Agent, or Firm—Terry M. Gernstein

[57] **CLAIM**

The ornamental design for a spray gun and strainer holder, as shown and described.

DESCRIPTION

FIG. 1 is a perspective view of a spray gun and strainer holder showing my new design;
FIG. 2 is a front elevational view, the rear being a mirror image thereof;
FIG. 3 is a right side elevational view thereof;
FIG. 4 is a left side elevational view thereof; and,
FIG. 5 is a top plan view thereof.



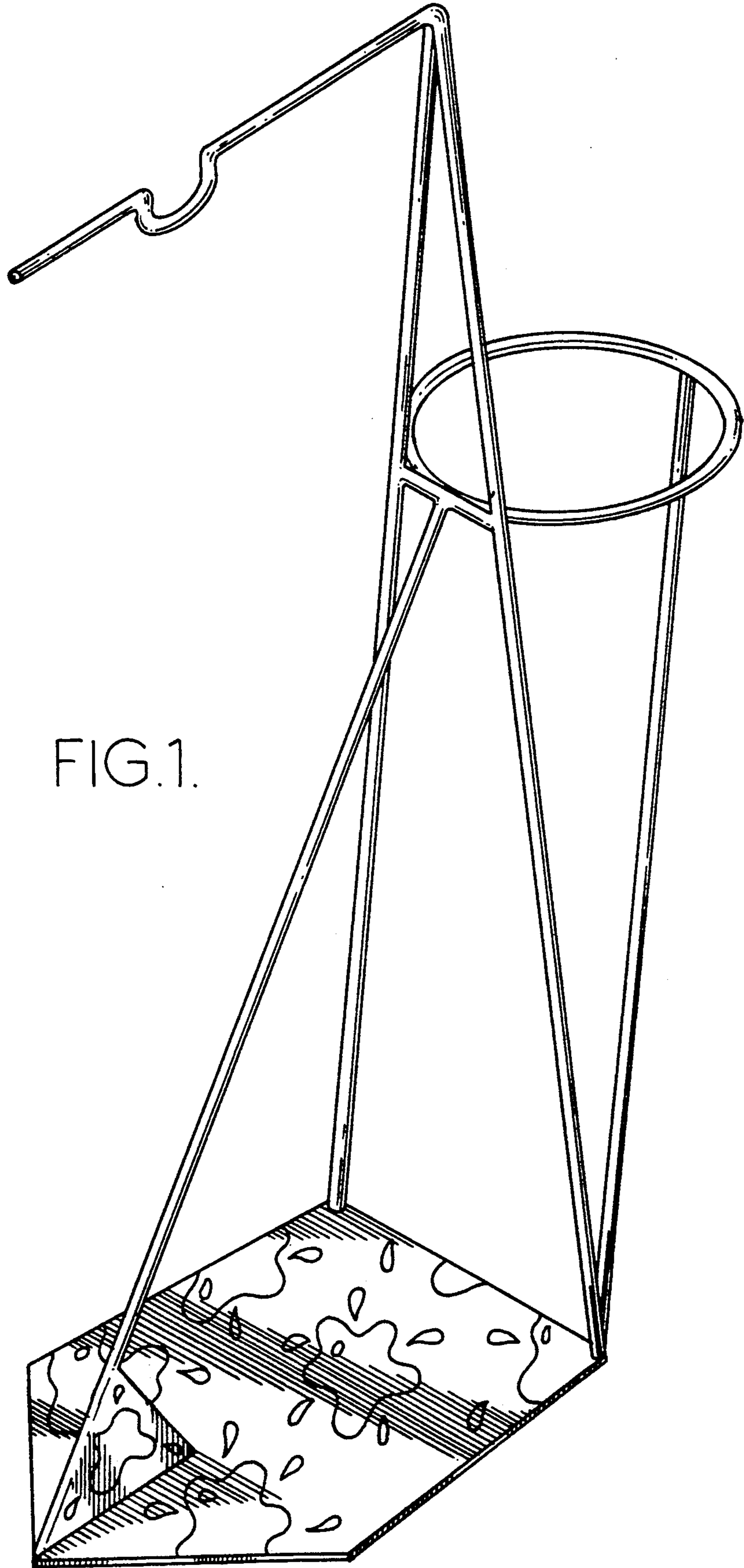


FIG. 1.

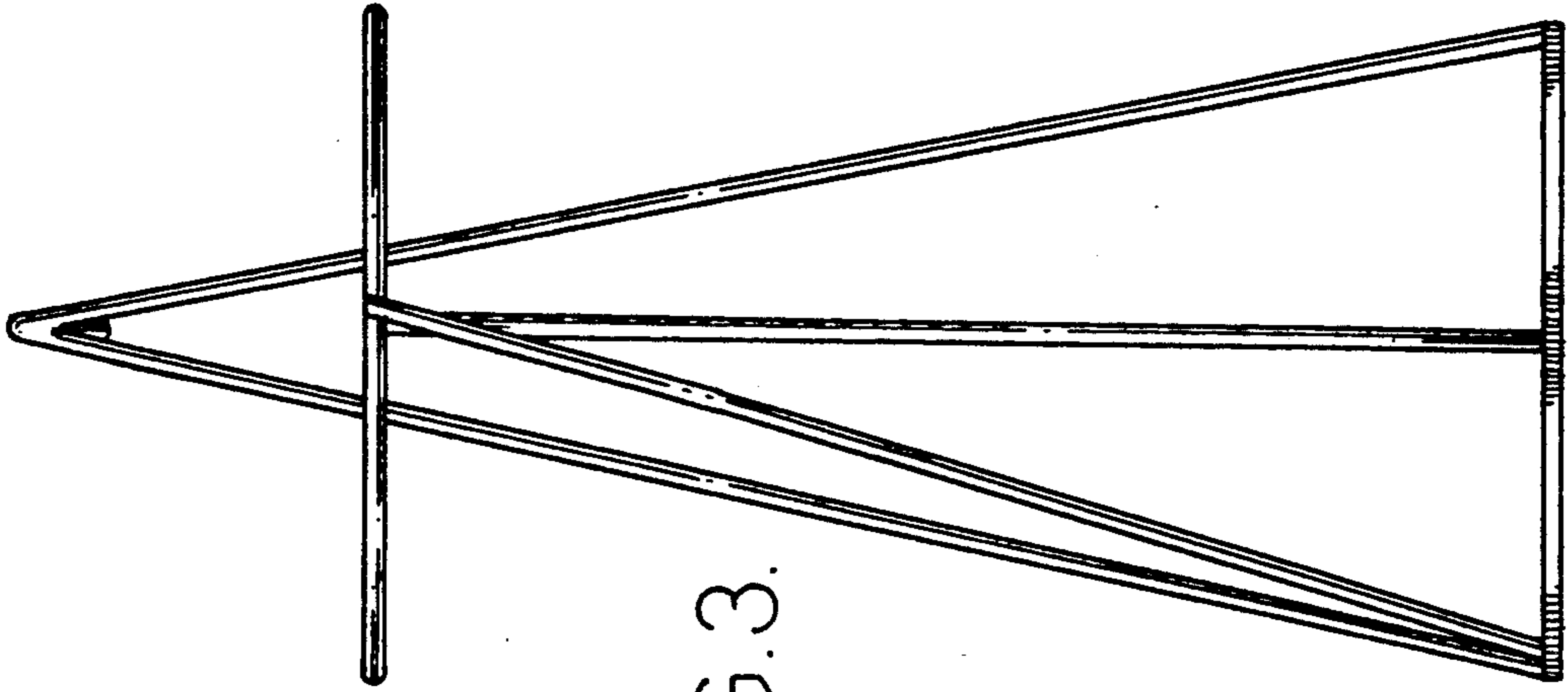


FIG. 3.

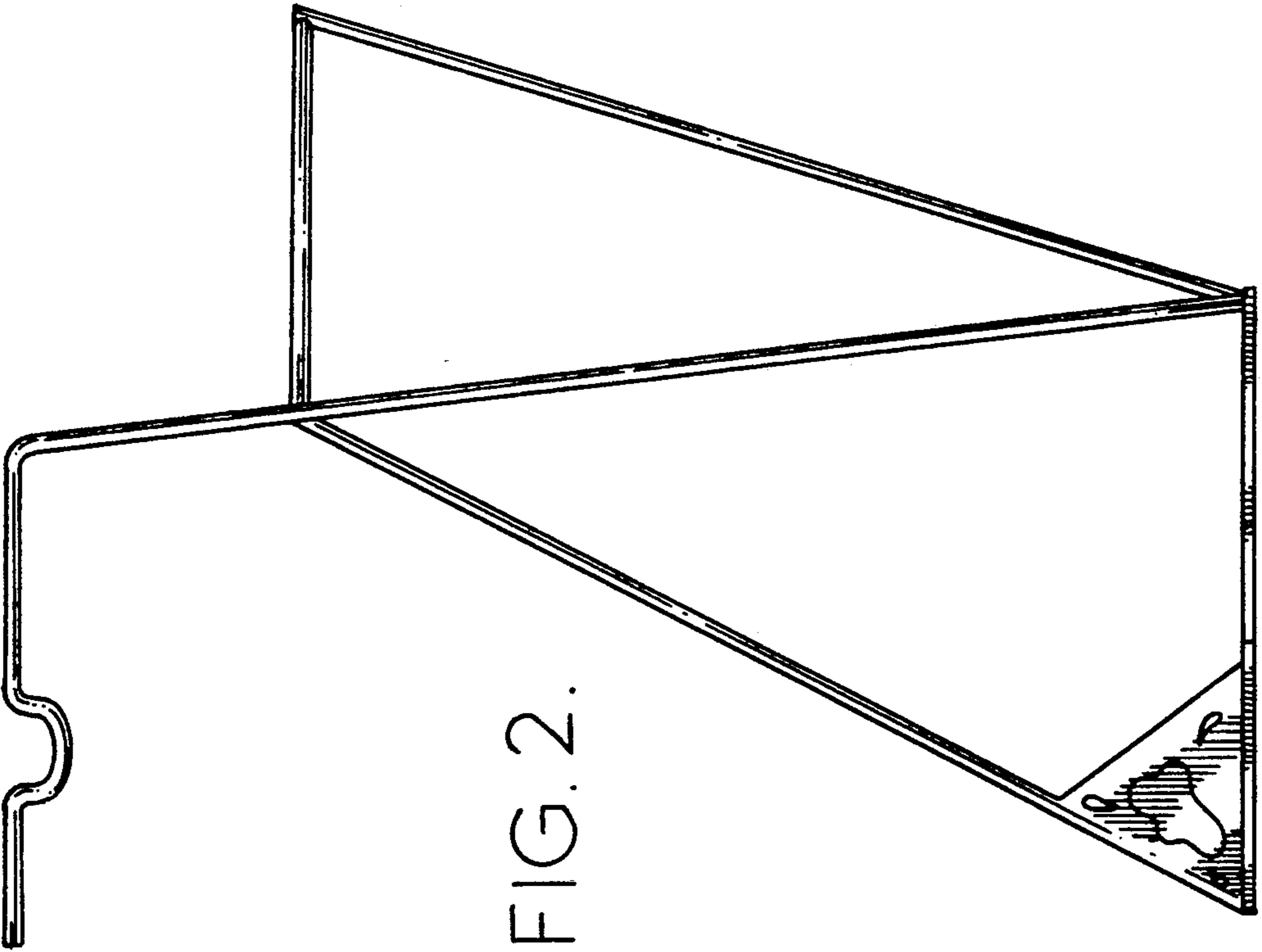


FIG. 2.

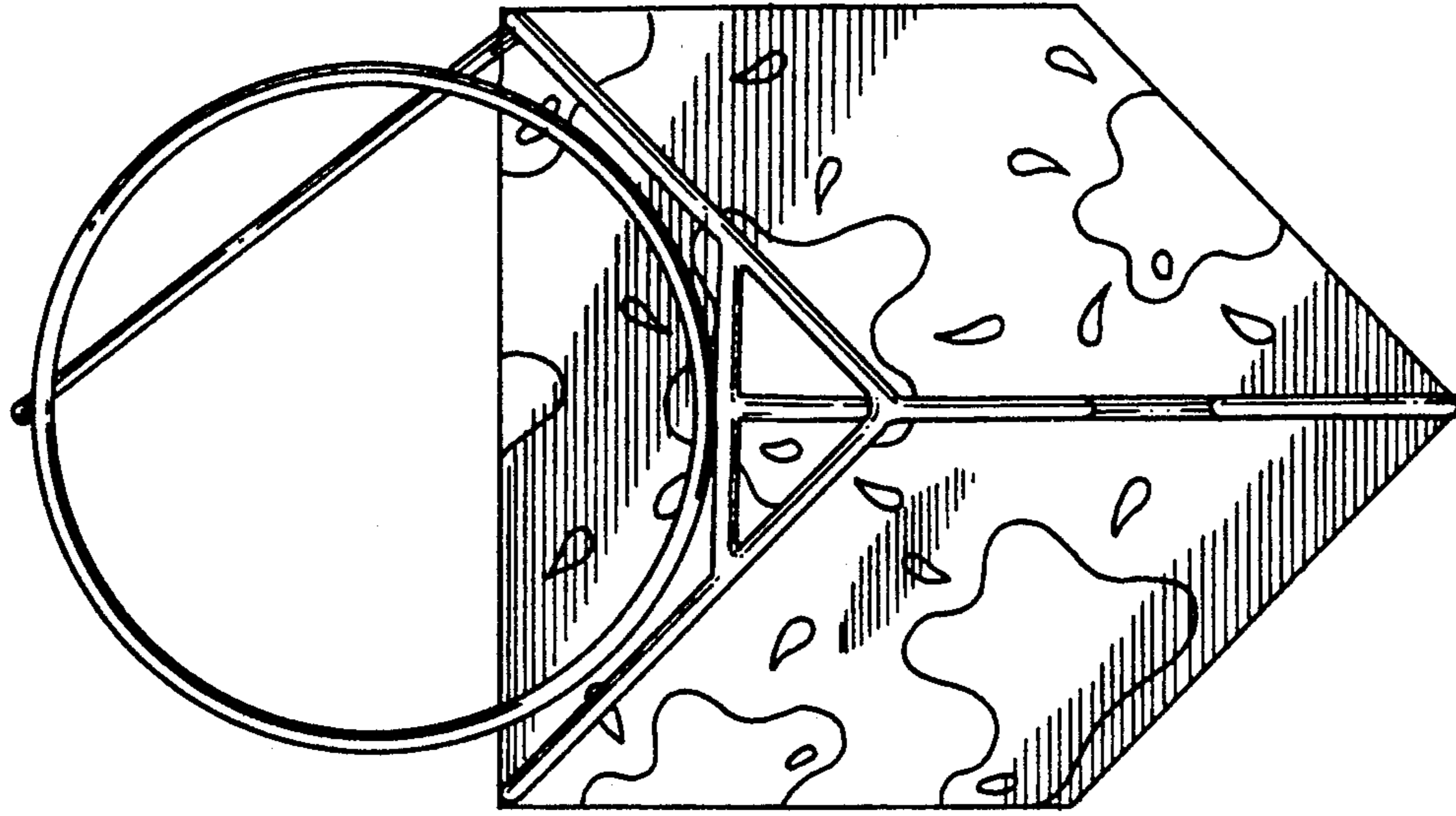


FIG. 5.

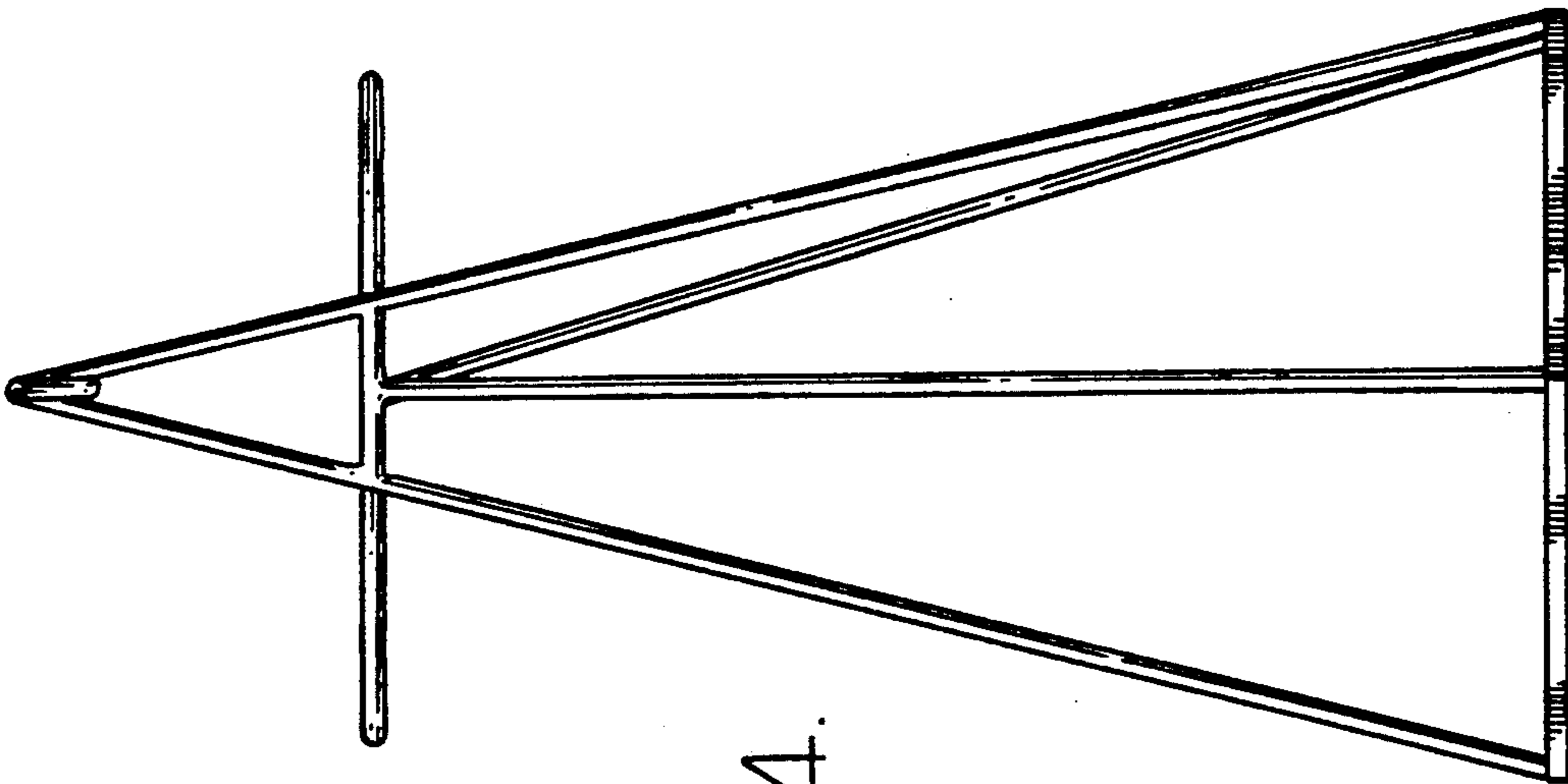


FIG. 4.