



US00D334491S

United States Patent [19]
Poland

[11] **Patent Number: Des. 334,491**
[45] **Date of Patent: ** Apr. 6, 1993**

- [54] **VACUUM FOOD STORAGE CABINET**
- [76] **Inventor: Terry Poland, P.O. Box 30931, Honolulu, Hi. 96820**
- [**] **Term: 14 Years**
- [21] **Appl. No.: 525,627**
- [22] **Filed: May 21, 1990**
- [52] **U.S. Cl. D6/432**
- [58] **Field of Search D6/555, 559, 561, 562, D6/432-448; D15/81, 88; D7/601, 602, 609, 610, 616; D99/35; 312/204, 400, 215, 222**

- D. 277,148 1/1985 Palka D6/561 X
- D. 286,122 10/1986 Golias D6/432 X
- D. 300,393 3/1989 Lemmens et al. D6/432

Primary Examiner—Carmen H. Vales-Lado
Attorney, Agent, or Firm—Terry M. Gernstein

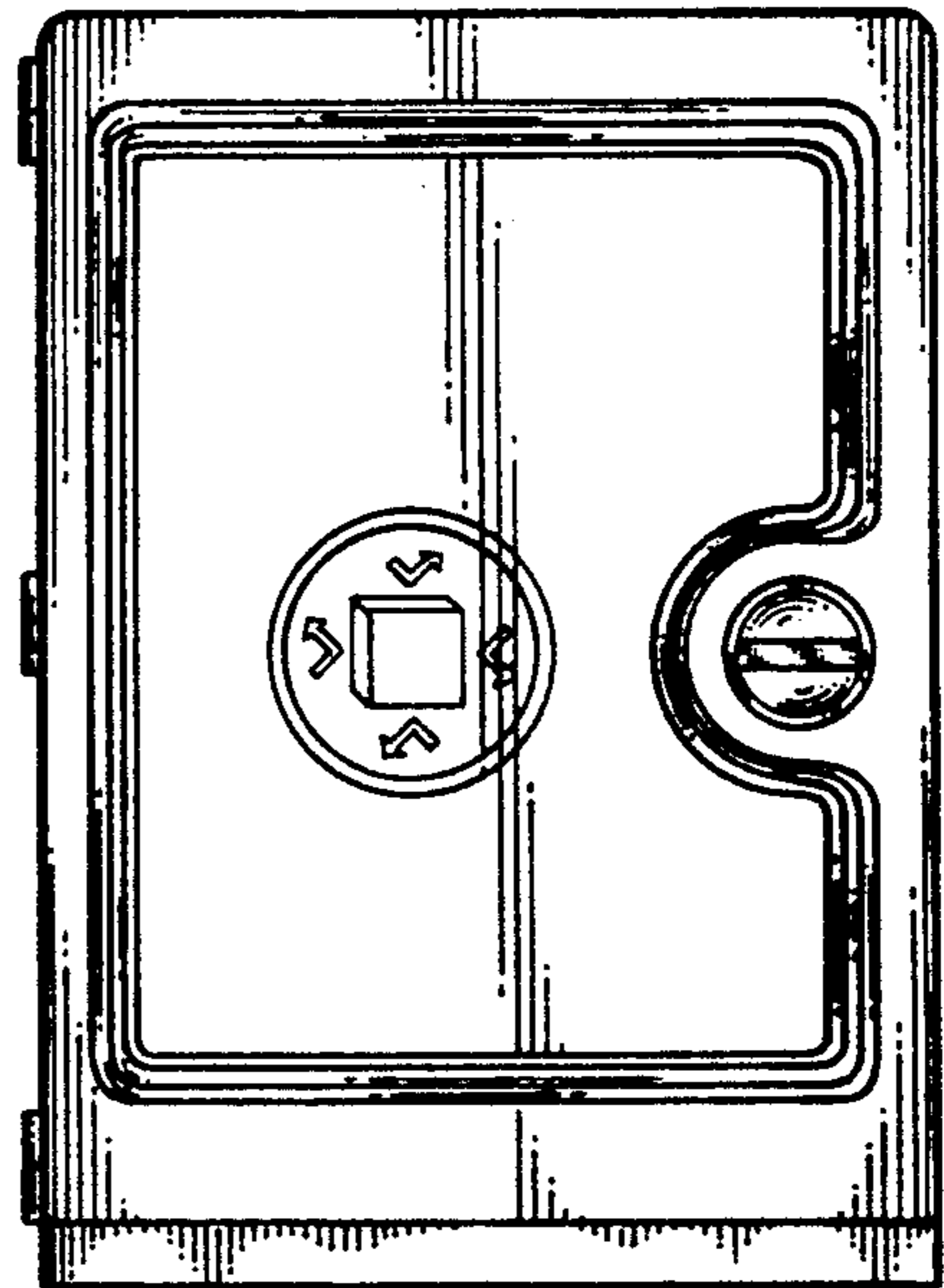
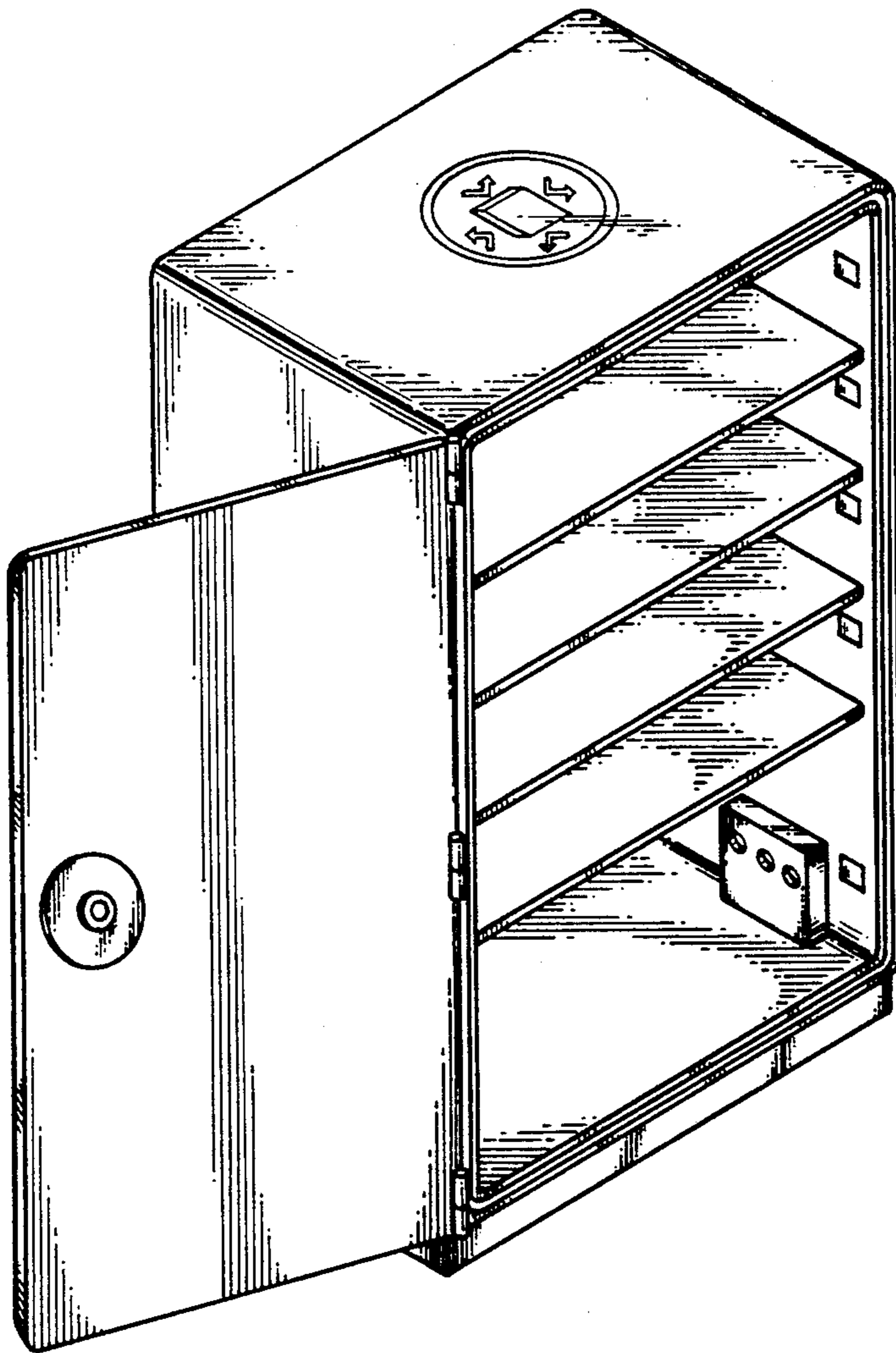
[57] **CLAIM**

The ornamental design for a vacuum food storage cabinet, as shown and described.

DESCRIPTION

FIG. 1 is a perspective view of the vacuum food storage cabinet showing my new design;
 FIG. 2 is a front elevational view thereof with the door closed;
 FIG. 3 is a rear elevational view thereof;
 FIG. 4 is a side elevational view, the opposite side being a mirror image thereof;
 FIG. 5 is a top plan view thereof; and,
 FIG. 6 is a bottom view thereof.
 FIGS. 2-6 have been drawn at a reduced scale with respect to FIG. 1.

- [56] **References Cited**
- U.S. PATENT DOCUMENTS**
- D. 130,000 10/1941 Loewy D15/88
 - D. 161,771 1/1951 Lumley D7/609
 - D. 184,896 4/1959 Sandin D15/88
 - D. 188,429 7/1960 Ebstein D7/609
 - D. 250,235 11/1978 Chervenak D6/448
 - D. 252,430 7/1979 Oakley et al. D6/432
 - D. 272,304 1/1984 Palermo et al. D6/432



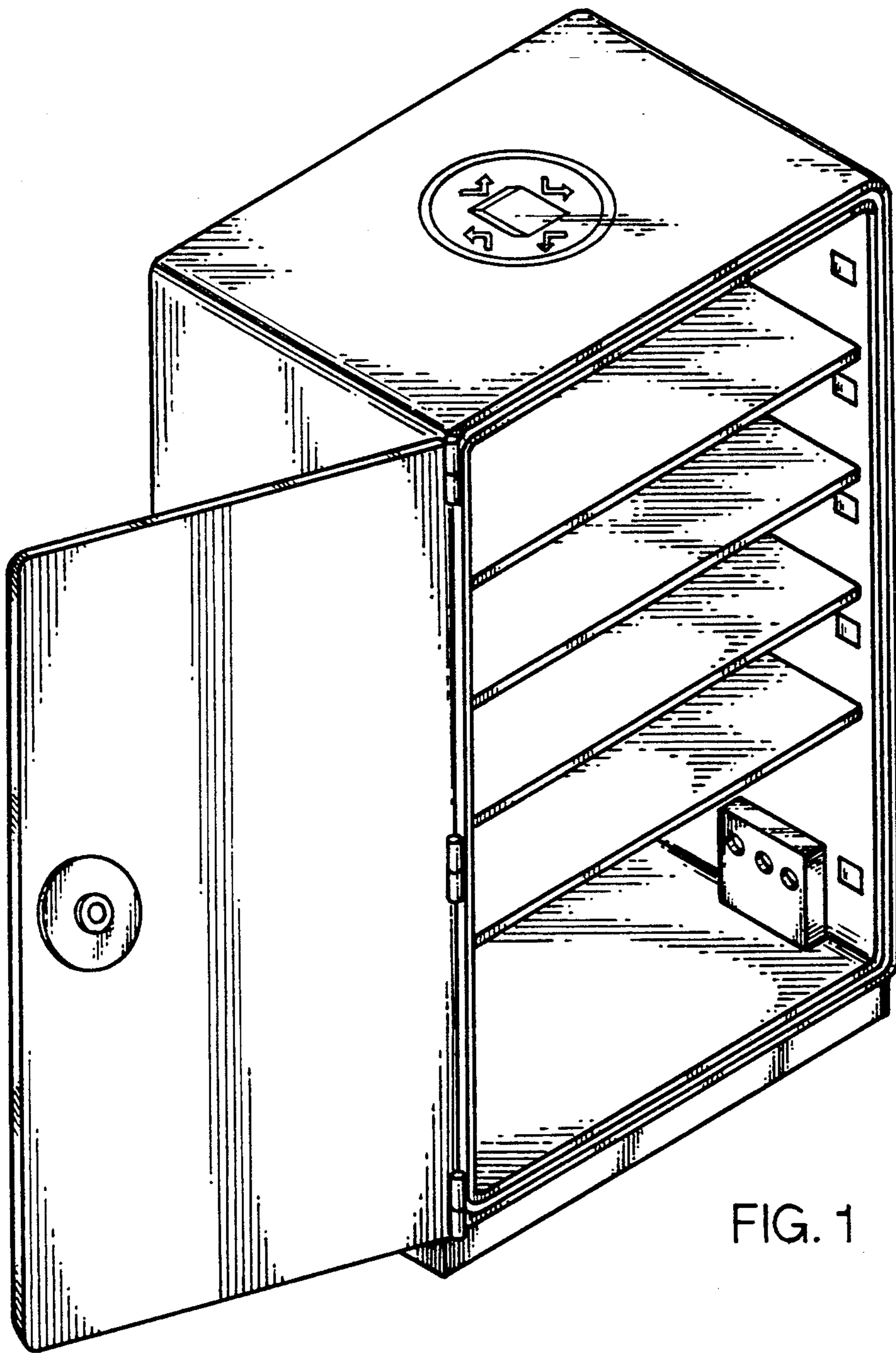


FIG. 1

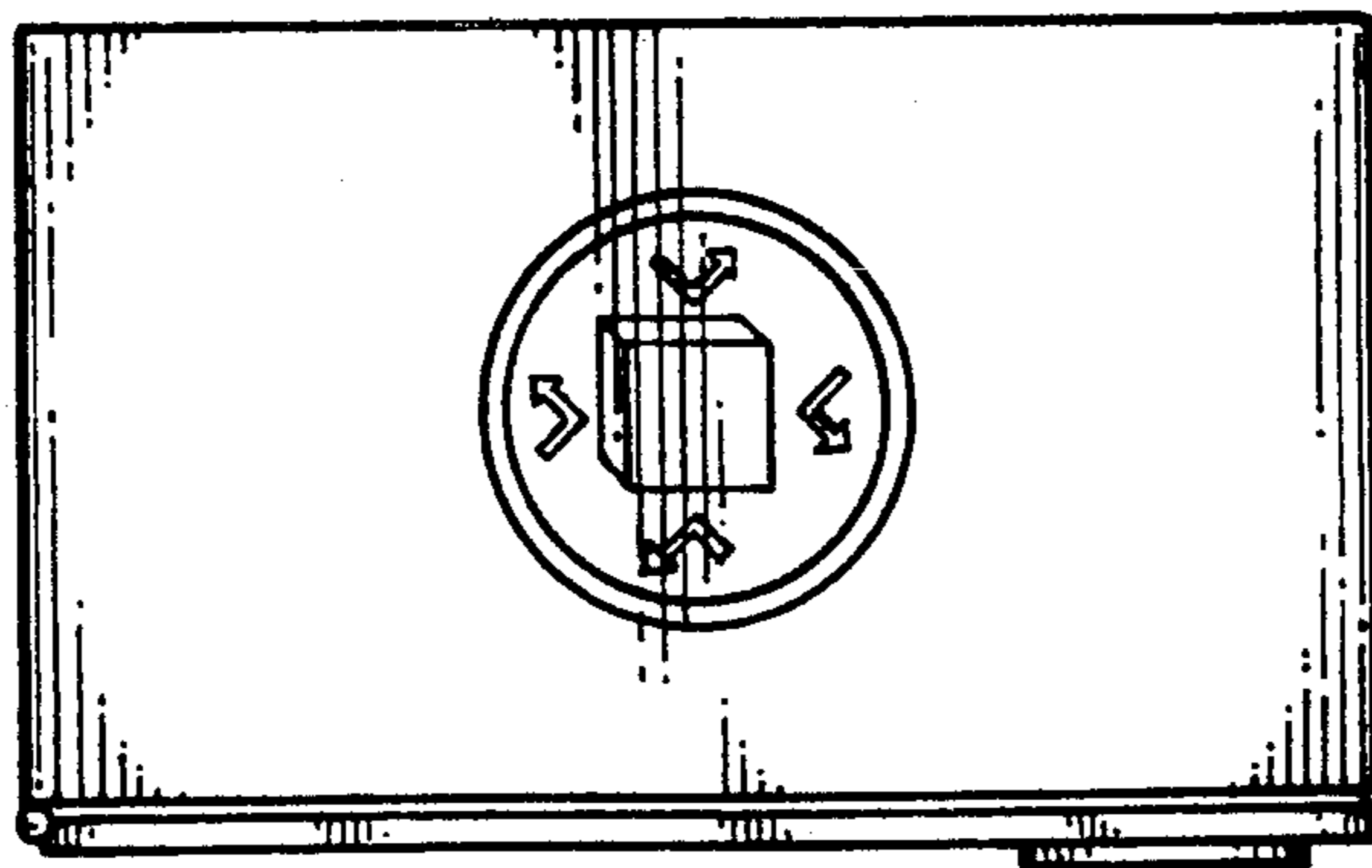


FIG. 5

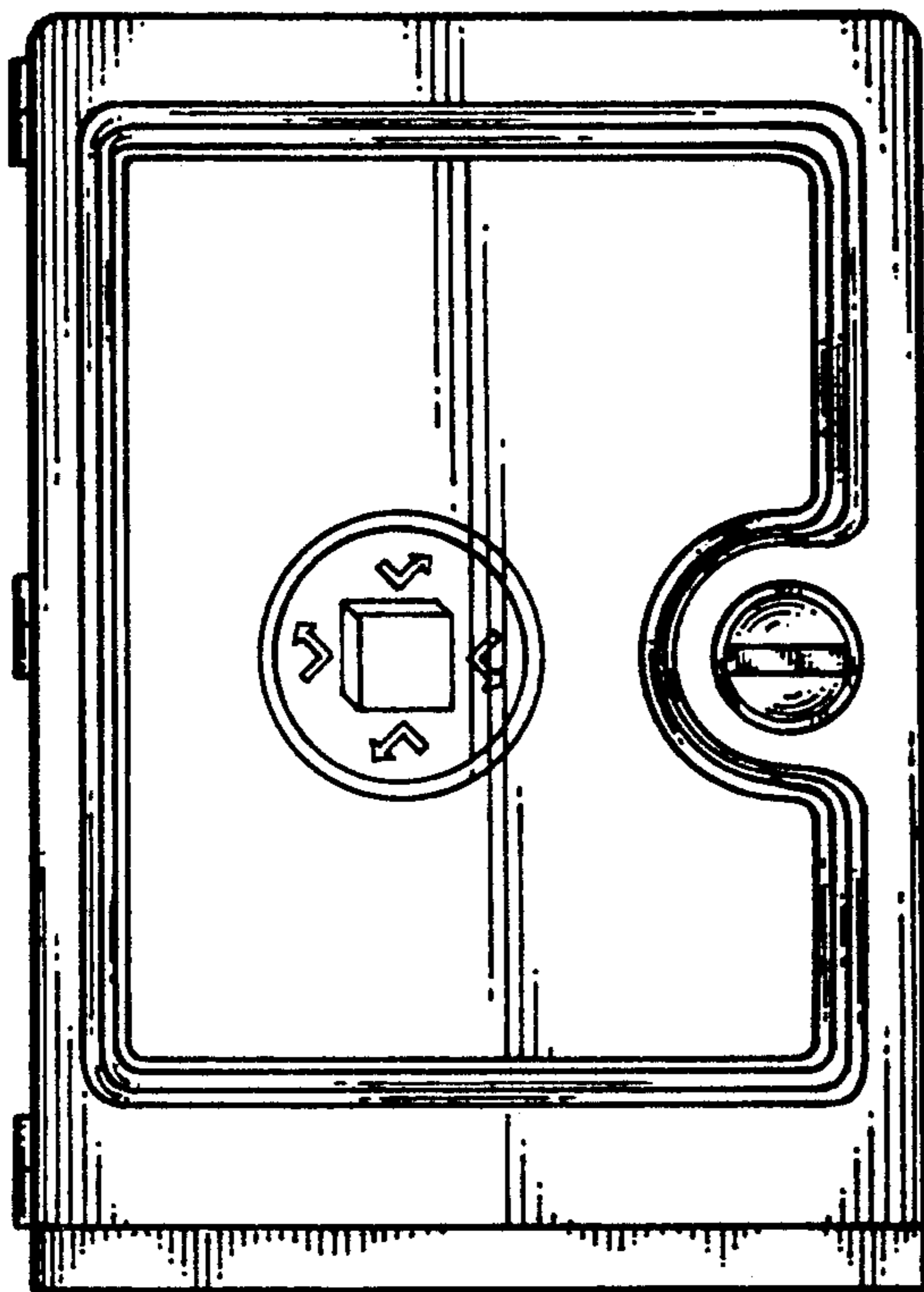


FIG. 2

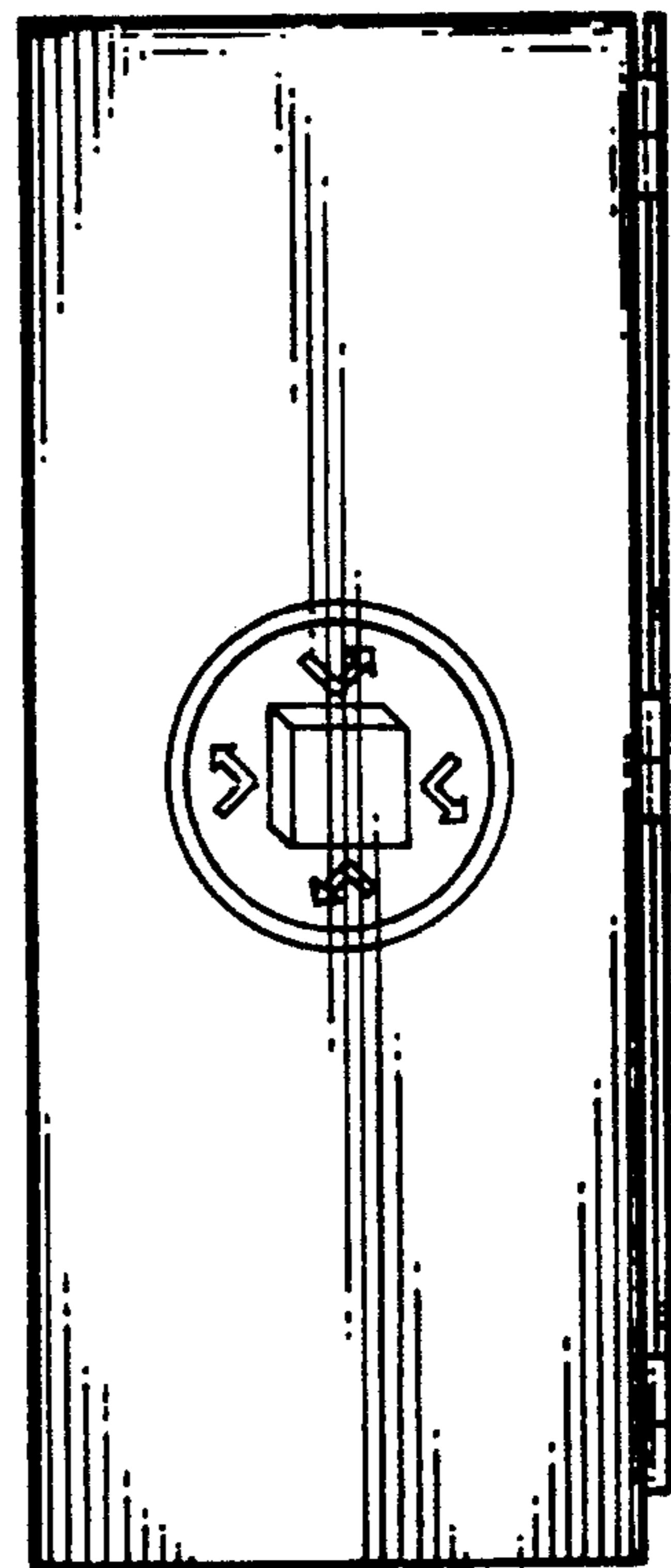


FIG. 4

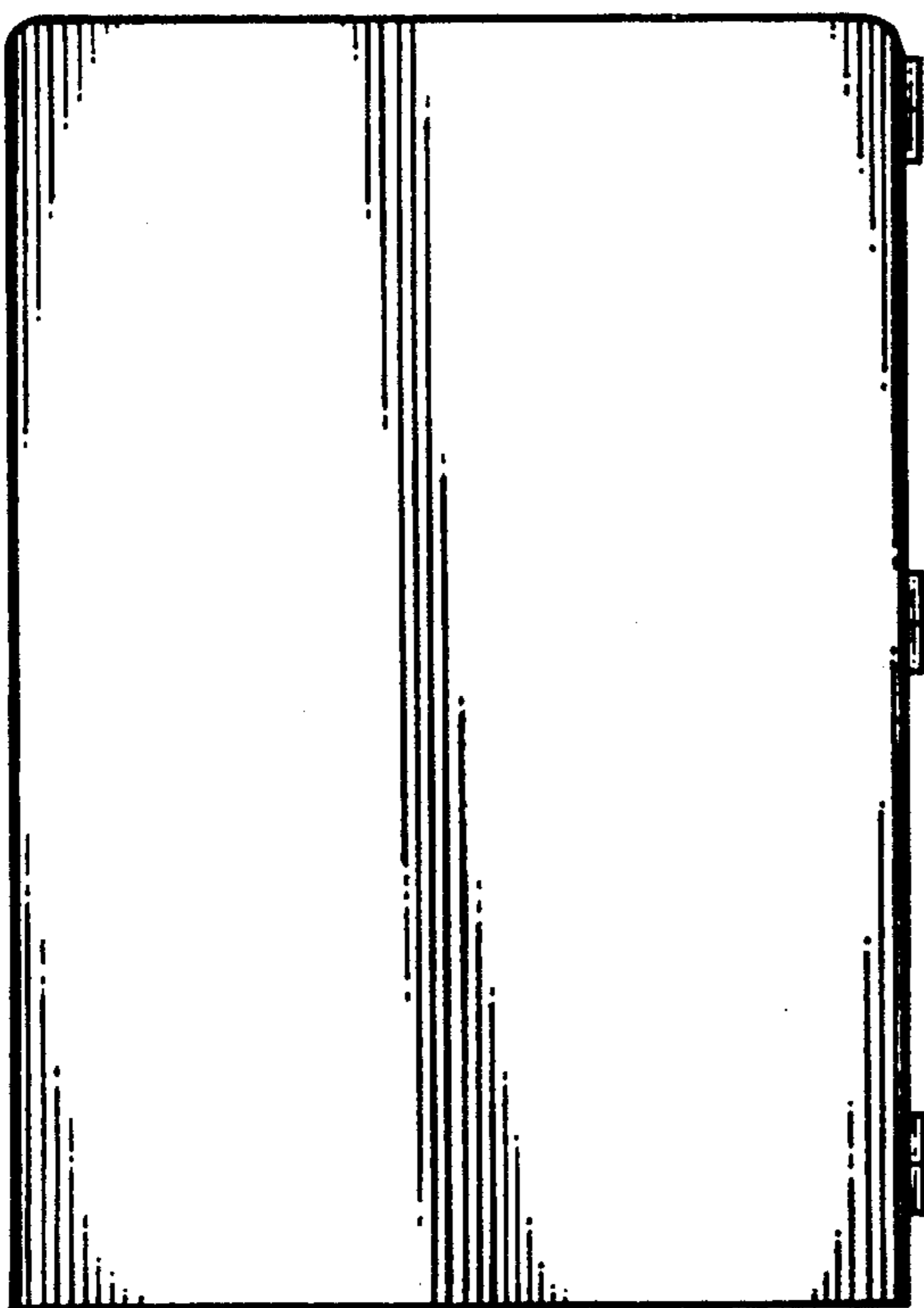


FIG. 3

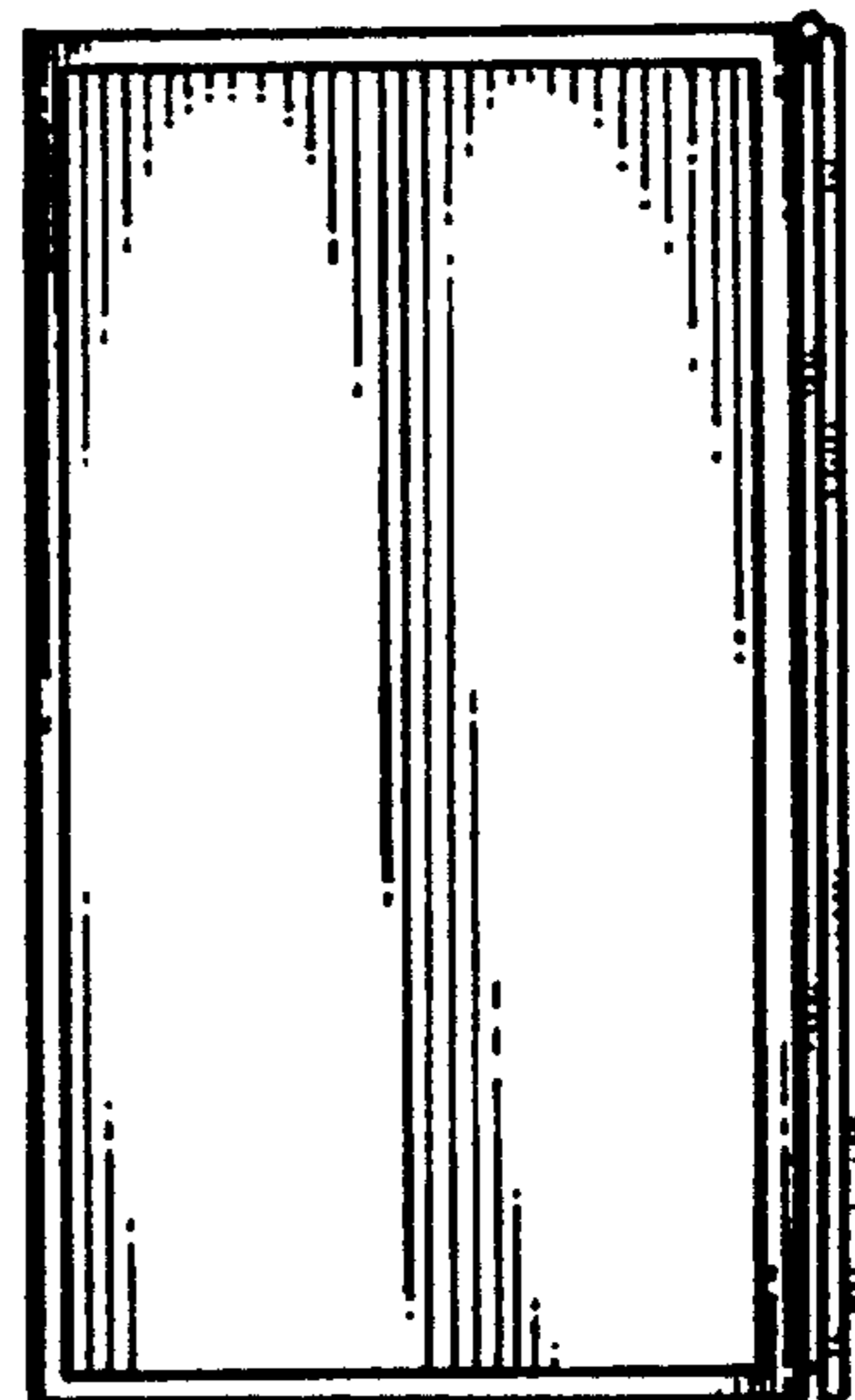


FIG. 6