



US00D334489S

# United States Patent [19]

[11] Patent Number: **Des. 334,489**

Greutmann et al.

[45] Date of Patent: **\*\* Apr. 6, 1993**

[54] **DESK**

[75] Inventors: **Urs Greutmann; Carmen Greutmann,**  
both of Zürich, Switzerland

[73] Assignee: **Denz Design, Kempter, Switzerland**

[\*\*] Term: **14 Years**

[21] Appl. No.: **499,827**

[22] Filed: **Mar. 26, 1990**

D. 169,375 4/1953 Knoll ..... D6/427 X  
 D. 176,412 12/1955 Herrmann ..... D6/427  
 D. 239,227 3/1976 Vogt ..... D6/427 X  
 D. 270,690 9/1983 Daventry ..... D6/427 X  
 D. 300,392 3/1989 Sapper ..... D6/426  
 D. 321,102 10/1991 Newhouse ..... D8/484

[30] **Foreign Application Priority Data**

Sep. 25, 1989 [CH] Switzerland ..... 117742

[52] U.S. Cl. .... **D6/423; D6/426;**  
D6/427

*Primary Examiner*—Carmen H. Vales-Lado  
*Attorney, Agent, or Firm*—Peter K. Kontler

[58] Field of Search ..... D6/422-428,  
D6/482, 484; 312/194-196; 108/59, 60

[57] **CLAIM**

The ornamental design for a desk, as shown and described.

[56] **References Cited**

**U.S. PATENT DOCUMENTS**

D. 134,298 11/1942 Eppenstein ..... D6/427

**DESCRIPTION**

FIG. 1 is a front elevational view of a desk showing our new design;  
 FIG. 2 is a right side elevational view thereof;  
 FIG. 3 is a rear elevational view thereof;  
 FIG. 4 is a left side elevational view thereof;  
 FIG. 5 is a top plan view thereof;  
 FIG. 6 is a perspective view thereof; and,  
 FIG. 7 is an enlarged perspective view of a foot thereof.

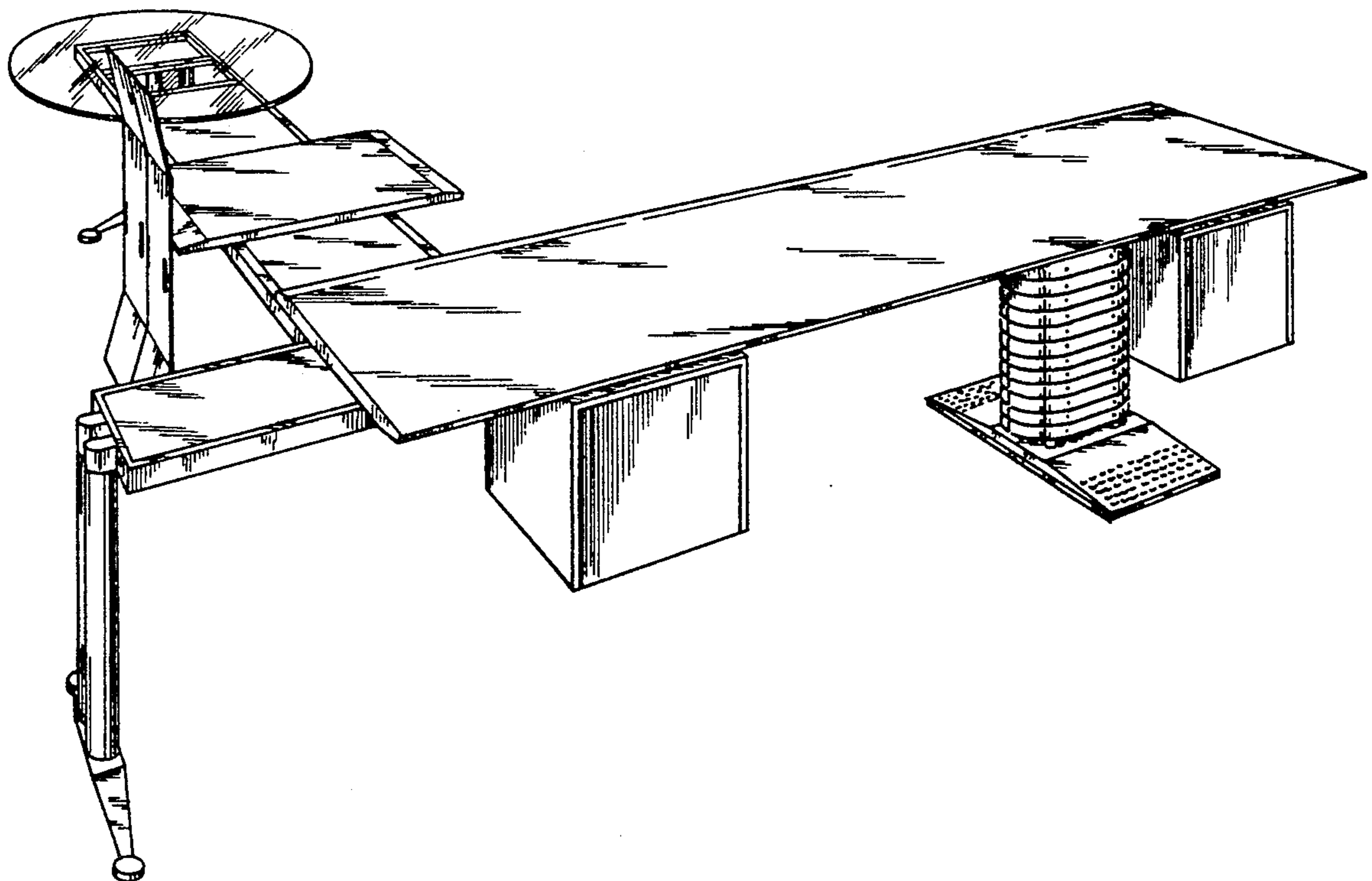


Fig. 1

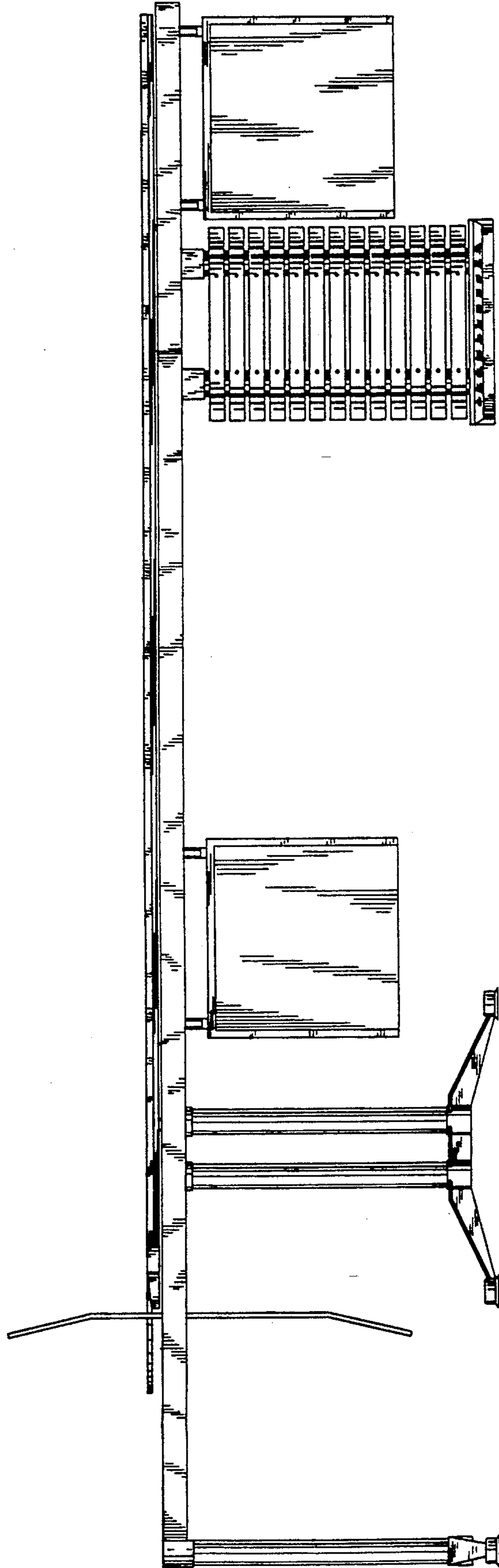


Fig. 2

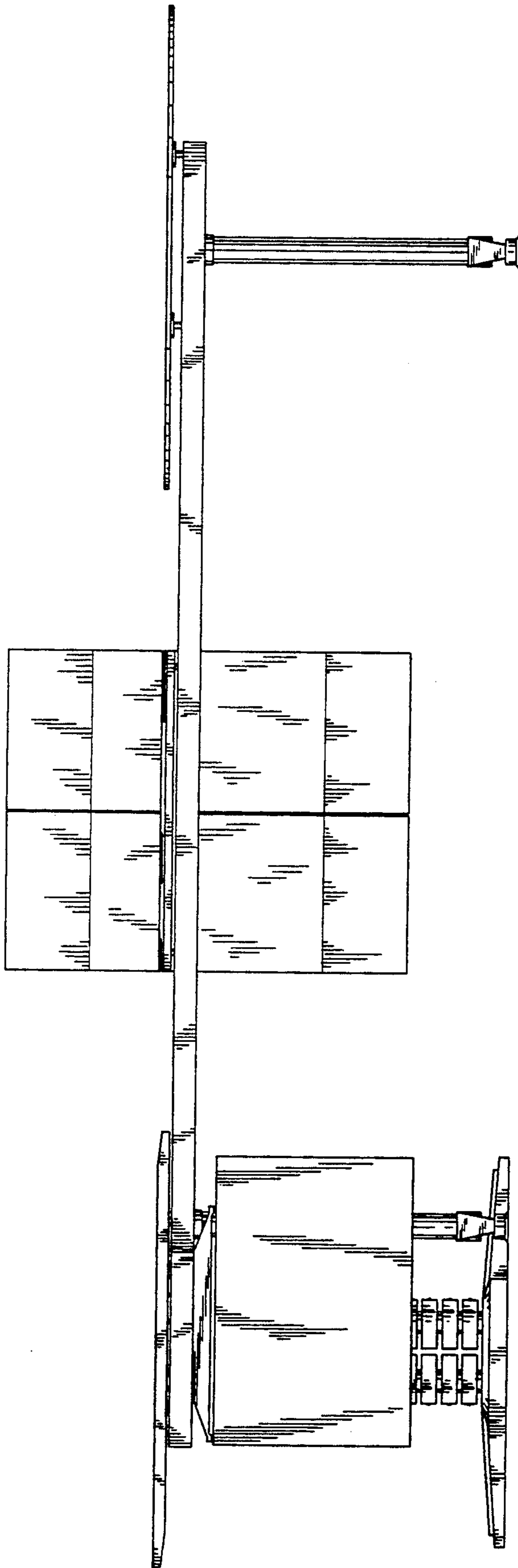


Fig. 3

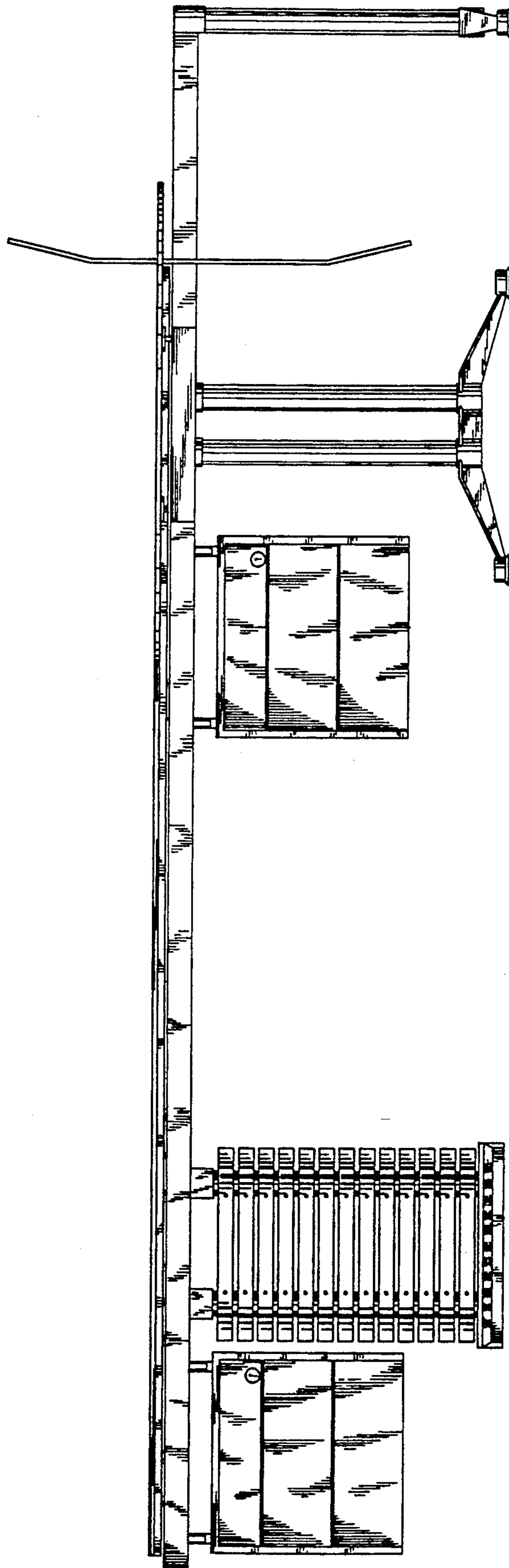


Fig. 4

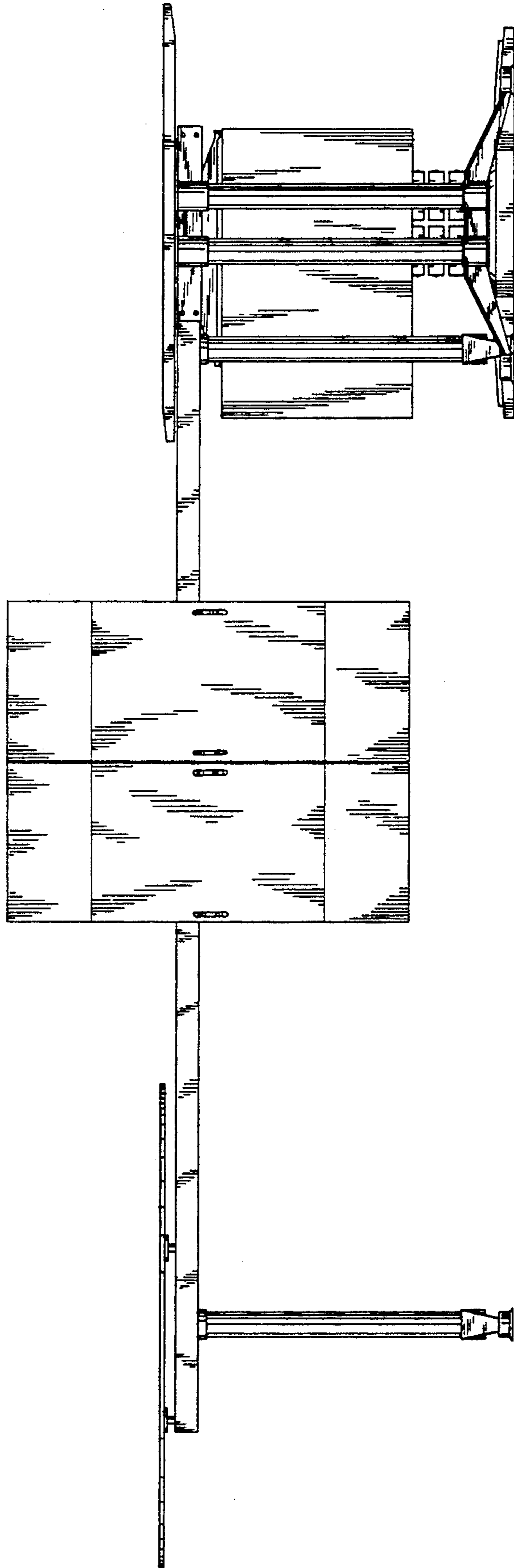
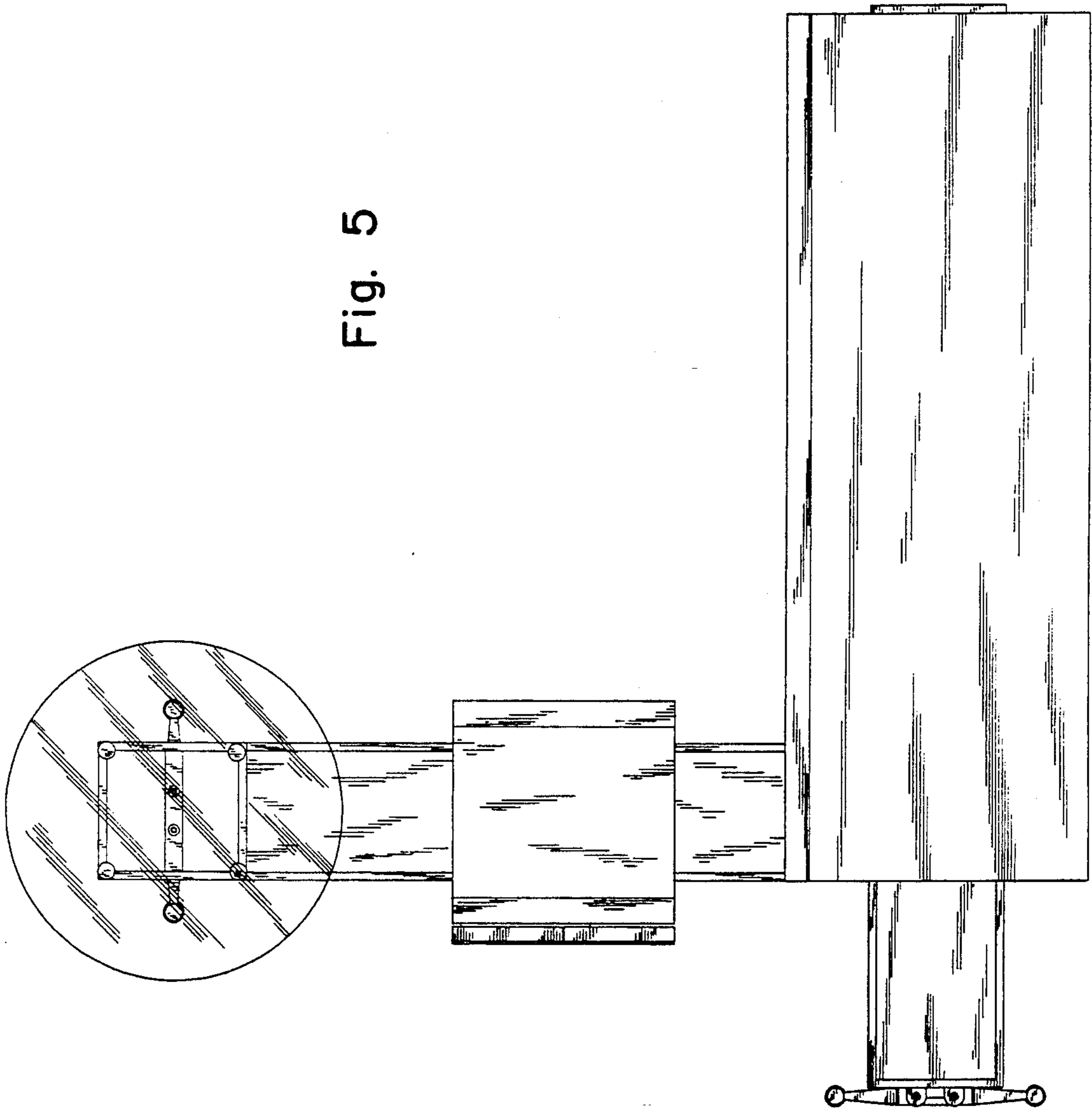


Fig. 5





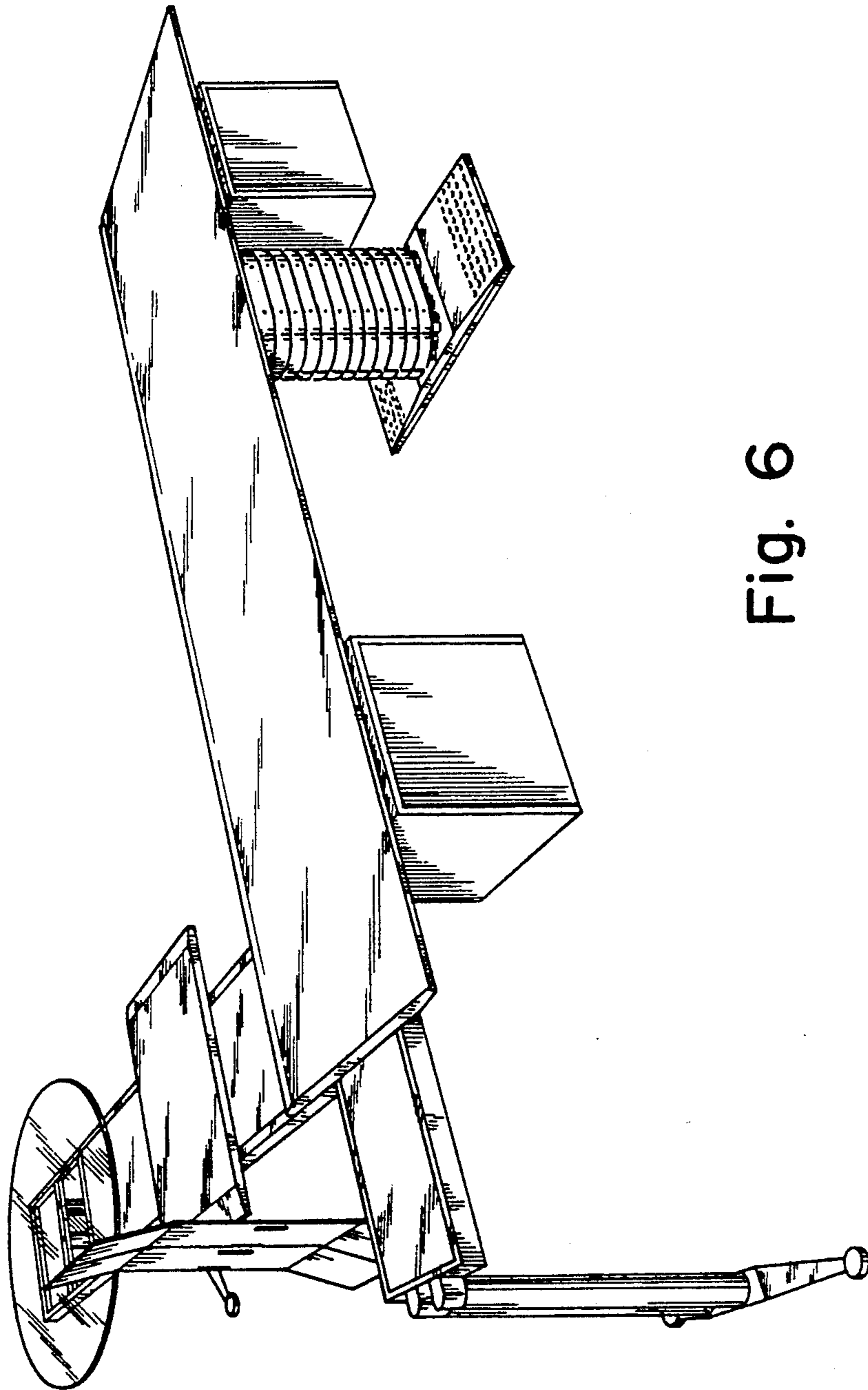


Fig. 6

Fig. 7

