



US00D334487S

United States Patent [19]

Perry

[11] Patent Number: **Des. 334,487**

[45] Date of Patent: **** Apr. 6, 1993**

- [54] VIDEO GAME CONTROL SEAT
- [76] Inventor: **Harold D. Perry**, 204 Parkdale,
Wichita, Kans. 67209
- [**] Term: **14 Years**
- [21] Appl. No.: **593,627**
- [22] Filed: **Oct. 5, 1990**
- [52] U.S. Cl. **D6/364; D6/341;**
D6/375
- [58] Field of Search **D6/334-336,**
D6/338, 341, 358, 360, 363, 364, 367, 374, 375,
380, 379; 297/135, 160, 174, 248

- D. 250,230 11/1978 Kotula D6/341
- 3,174,795 3/1965 Chapman et al. 297/248 X
- 3,963,272 6/1976 Jones 297/174 X

Primary Examiner—Nelson C. Holtje
Assistant Examiner—J. E. Seeger
Attorney, Agent, or Firm—Edward L. Brown, Jr.

[56] **References Cited**
U.S. PATENT DOCUMENTS

- Re. 24,569 11/1958 Thaden D6/334 X
- D. 181,946 1/1958 Saariner D6/375 X
- D. 207,262 3/1967 Maurer-et al. D6/341
- D. 218,028 7/1970 Lohr D6/367 X
- D. 237,664 11/1975 Costabile D6/375 X
- D. 247,593 3/1978 Steele D6/375 X

[57] **CLAIM**
 The ornamental design for a video game control seat, as shown, and described.

DESCRIPTION

FIG. 1 is a front elevation view of the video game control seat;
 FIG. 2 is a back view;
 FIG. 3 is a side view with the opposite side being a mirror image;
 FIG. 4 is a top view;
 FIG. 5 is a perspective view from the left side; and,
 FIG. 6 is a perspective view from the right side.
 The broken lines are for environmental purposes only and form no part of the claimed design.



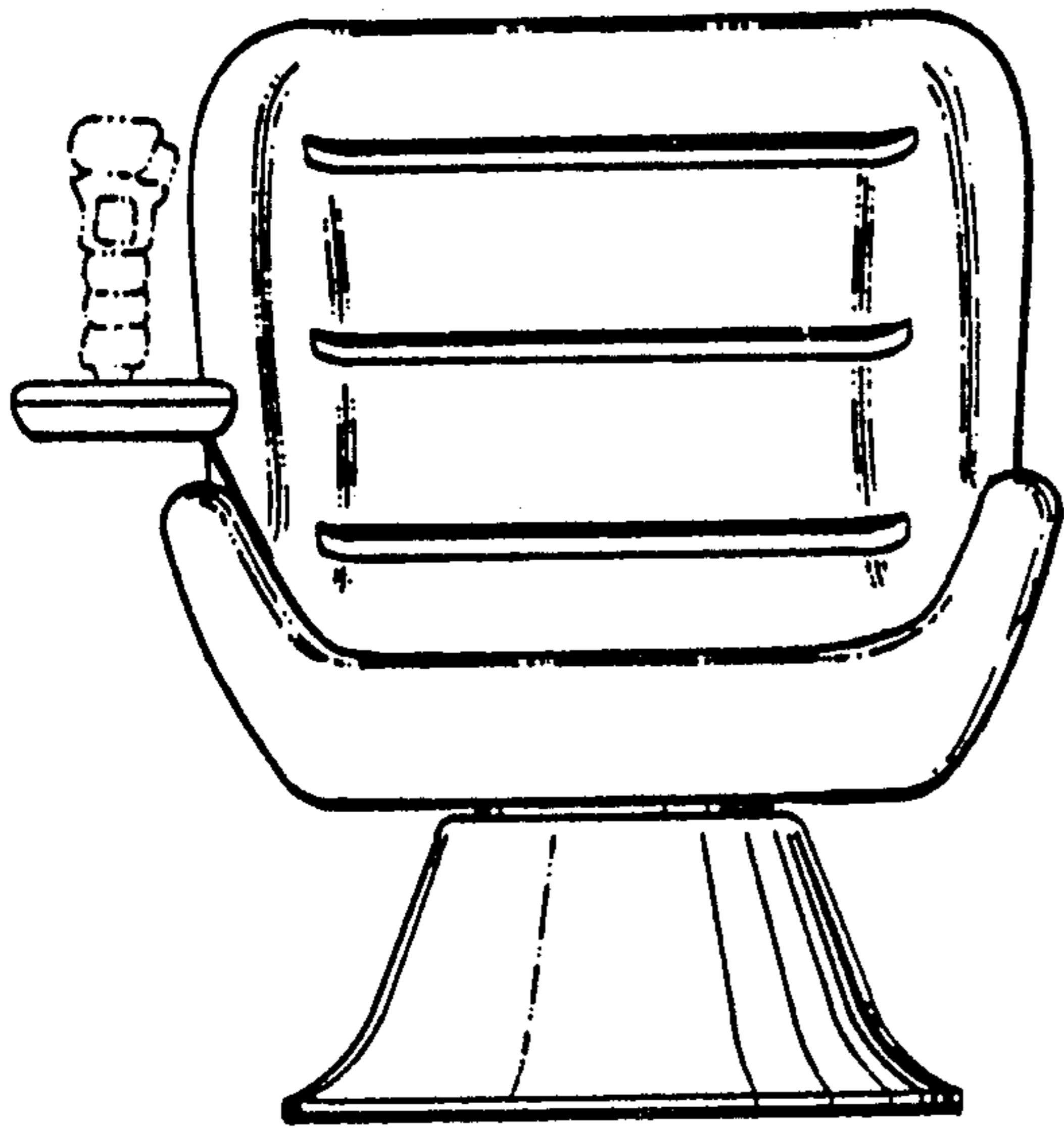


FIG. 1

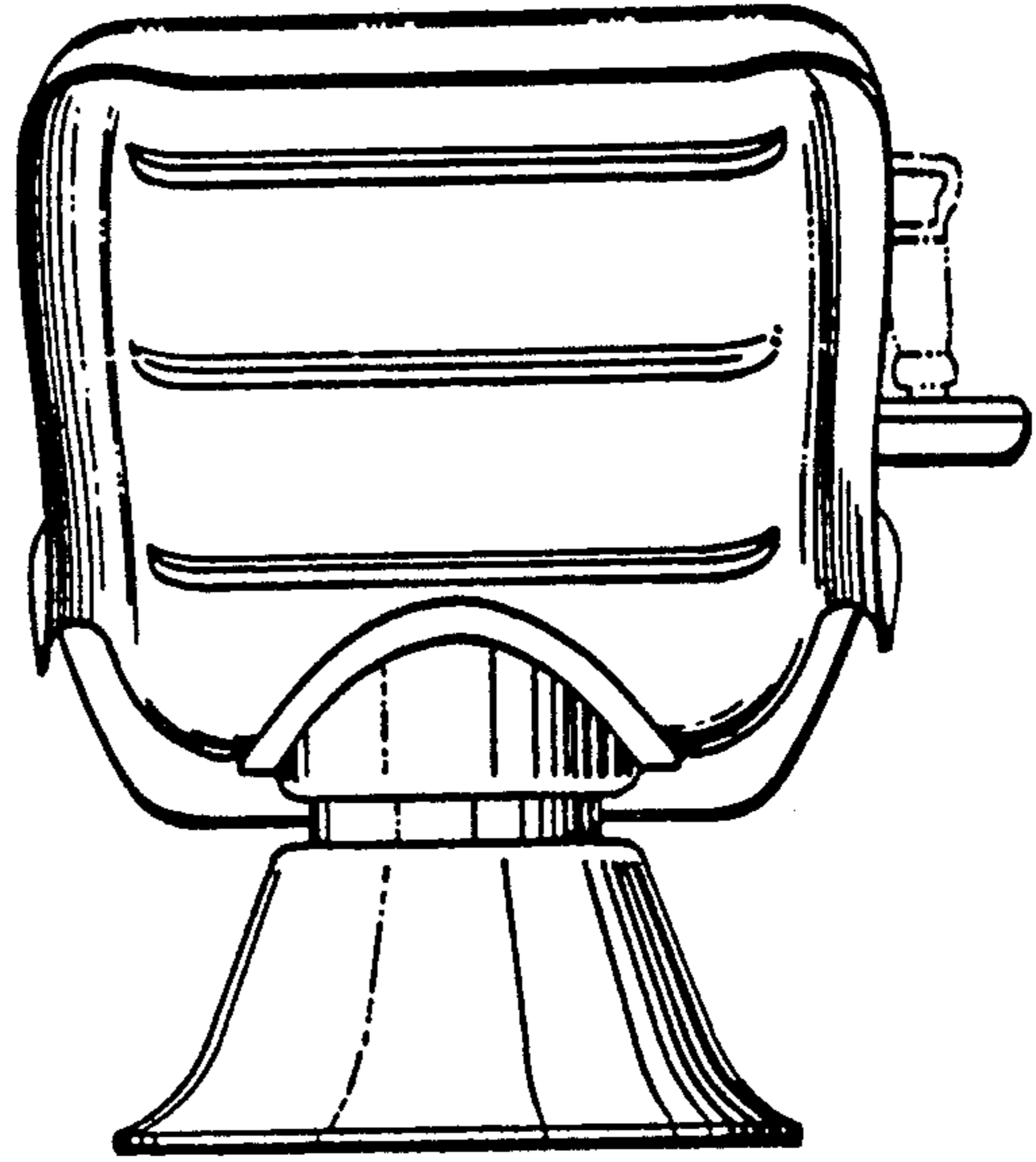


FIG. 2

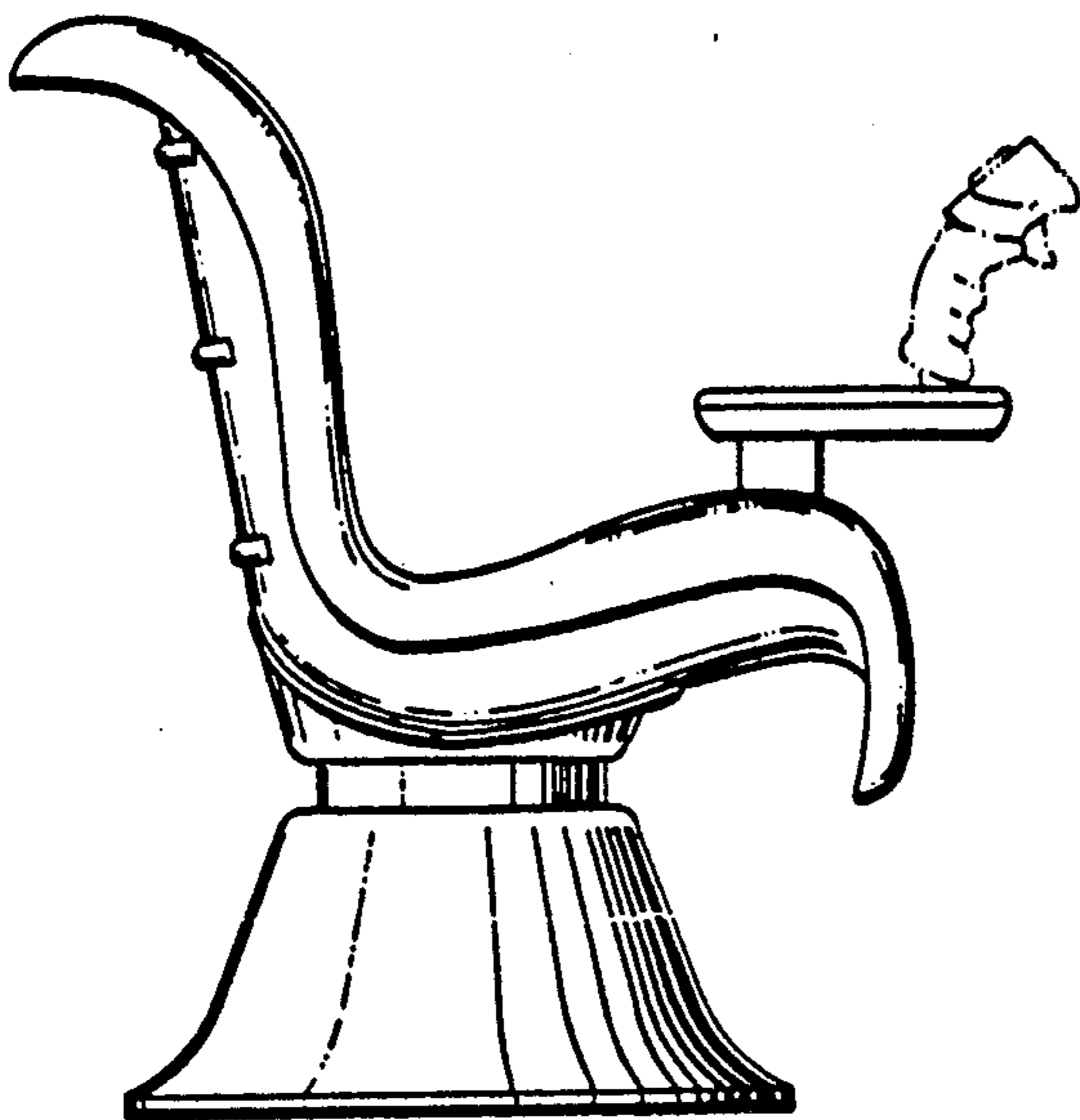


FIG. 3

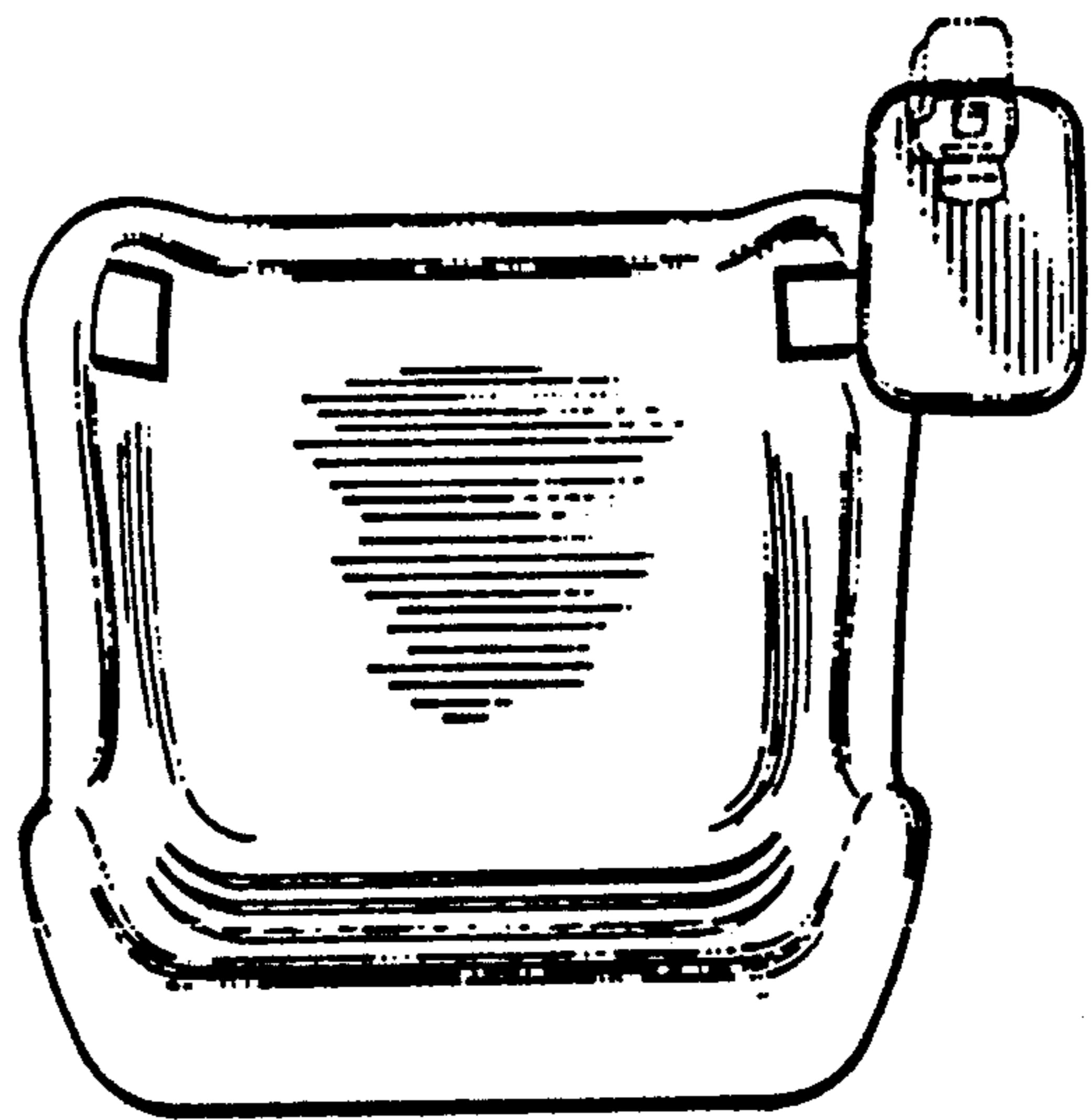


FIG. 4

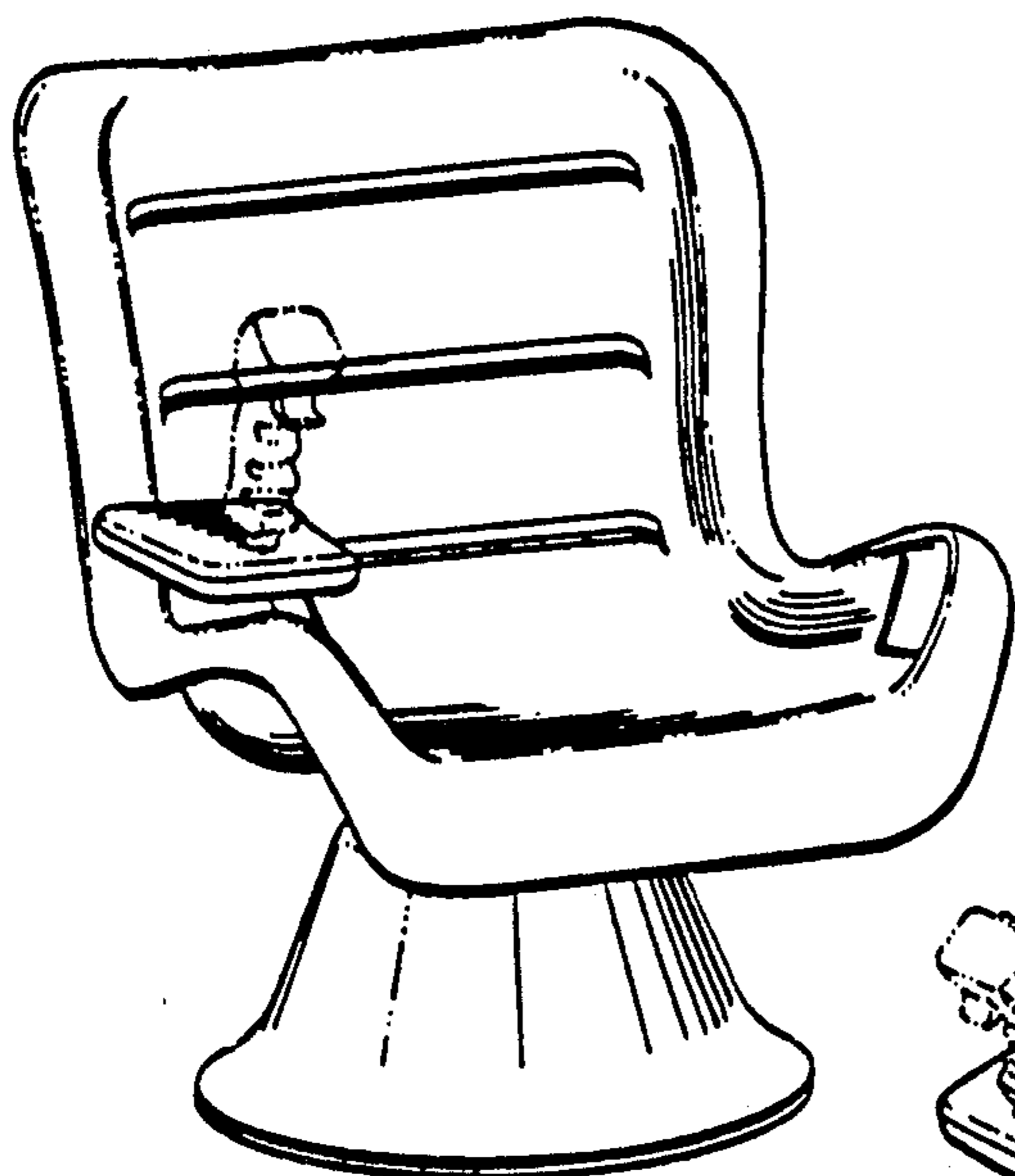


FIG. 5



FIG. 6