



US00D334486S

# United States Patent [19]

[11] Patent Number: **Des. 334,486**

**Brown et al.**

[45] Date of Patent: **\*\* Apr. 6, 1993**

[54] **LOUNGE CHAIR**

[75] Inventors: **Jerrold G. Brown, Wooster, Ohio;**  
**Giovanni Pino, Kentwood, Mich.**

[73] Assignee: **Rubbermaid Incorporated, Wooster, Ohio**

[\*\*] Term: **14 Years**

[21] Appl. No.: **566,184**

[22] Filed: **Aug. 13, 1990**

[52] U.S. Cl. .... **D6/361; D6/368**

[58] Field of Search ..... **D6/334, 360, 361, 367,**  
**D6/368, 370, 374, 375, 376, 379, 500, 501, 502;**  
**297/16, 17, 31, 418, 419**

Wilmington, California 90748-0579. Publication date unknown.

P. 10, Little Lake Industries, Inc., 300 E. Commercial Street, P.O. Box 619, Willits, California 95490. Publication date unknown.

Catalog Page, Rubbermaid Incorporated, 1147 Akron Road, Wooster, Ohio 44691. Publication date 1987.

P. 9, Rubbermaid-Allibert Inc., 1200 Highway 27 South, P.O. Box 1200, Stanley, North Carolina 28164. Publication date 1990.

*Primary Examiner*—Alan P. Douglas

*Assistant Examiner*—Gary D. Watson

*Attorney, Agent, or Firm*—Richard B. O'Planick

[56] **References Cited**

**U.S. PATENT DOCUMENTS**

- D. 154,031 6/1949 Eisendrath ..... D6/361
- D. 278,392 4/1985 Bayly ..... D6/361
- D. 282,415 2/1986 Sheridan .
- D. 294,890 3/1988 Hubert .
- 4,522,446 6/1985 Sheridan .

**FOREIGN PATENT DOCUMENTS**

- 159610 10/1940 Austria .
- 625375 4/1927 France .

**OTHER PUBLICATIONS**

Sell Sheet, Vision Leisure Products Inc., P.O. Box 579,

[57] **CLAIM**

The ornamental design for a lounge chair, as shown and described.

**DESCRIPTION**

FIG. 1 is a right front perspective view of a lounge chair embodying our new design;

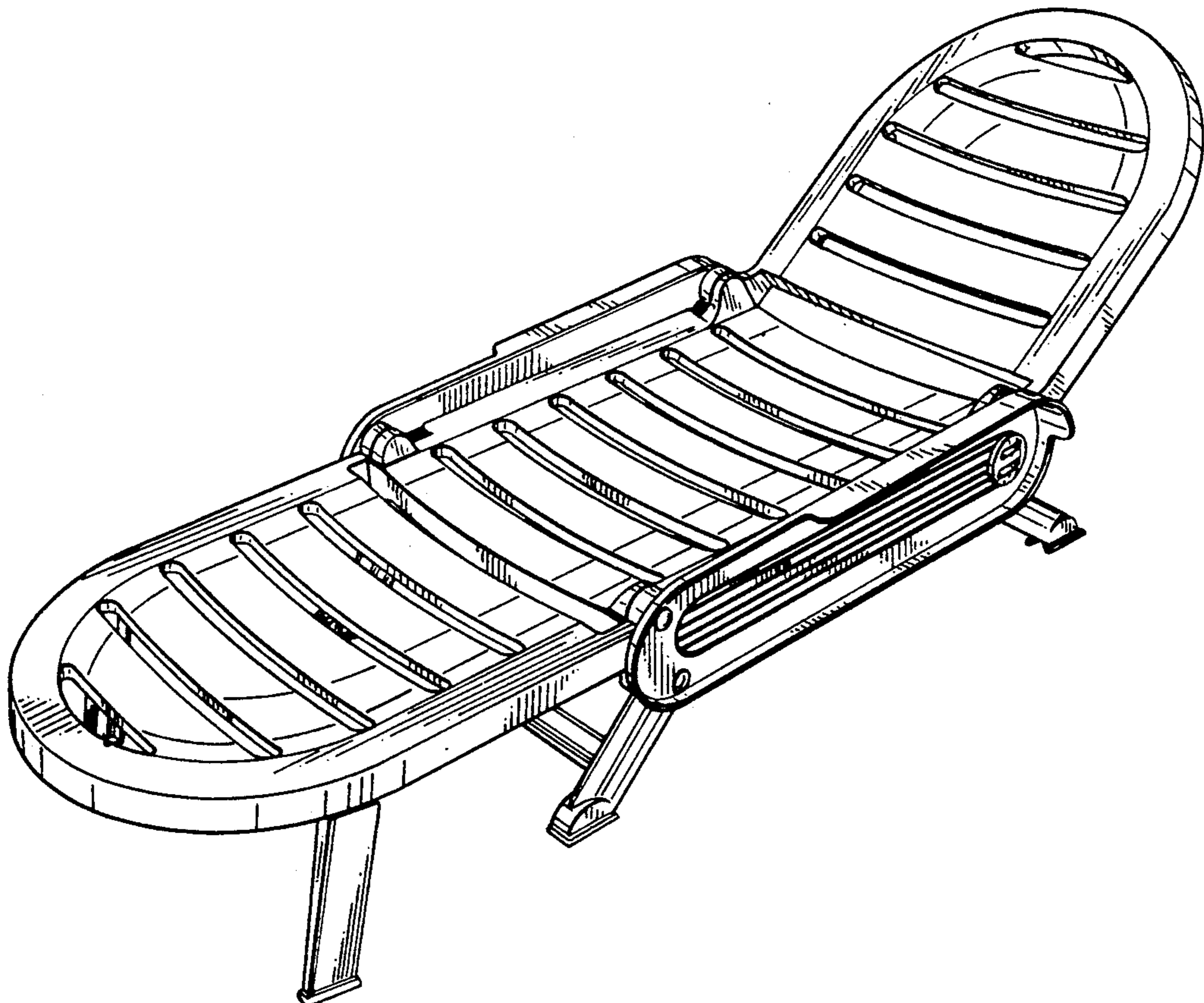
FIG. 2 is a front elevational view thereof;

FIG. 3 is a rear elevational view thereof;

FIG. 4 is a top plan view thereof;

FIG. 5 is a bottom plan view thereof; and,

FIG. 6 is a side elevational view thereof; the opposite side being a mirror image.



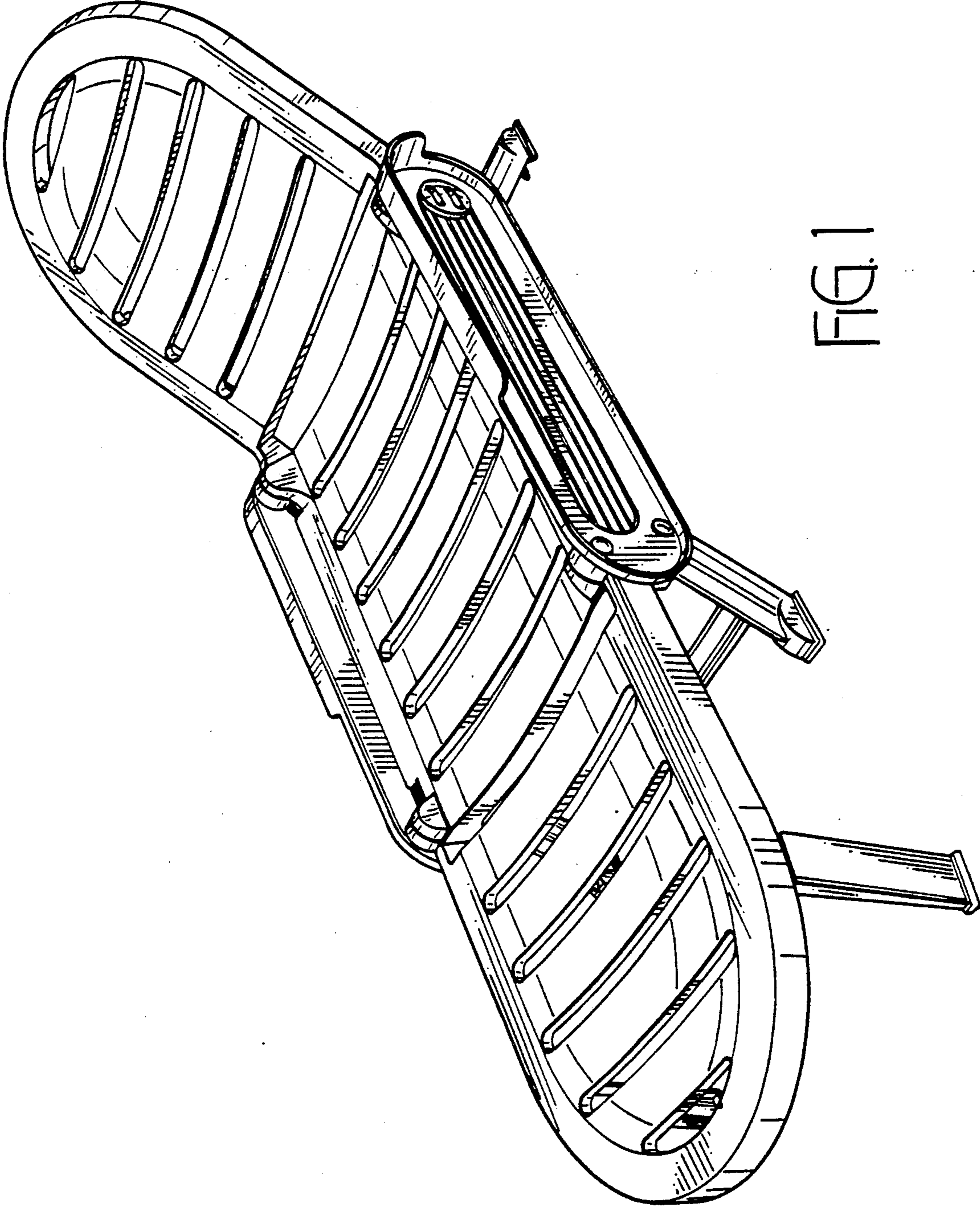


FIG. 1

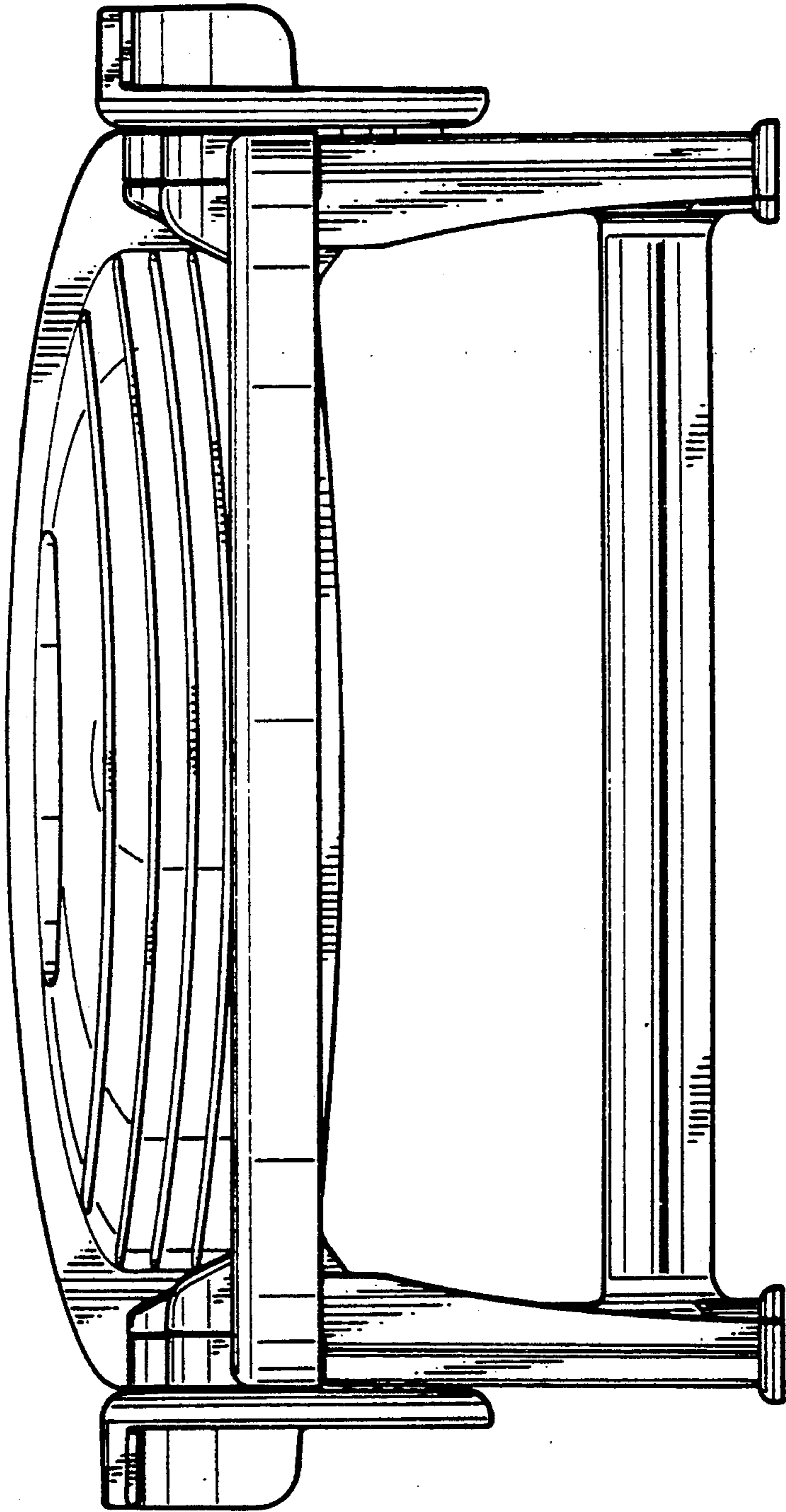


FIG. 2



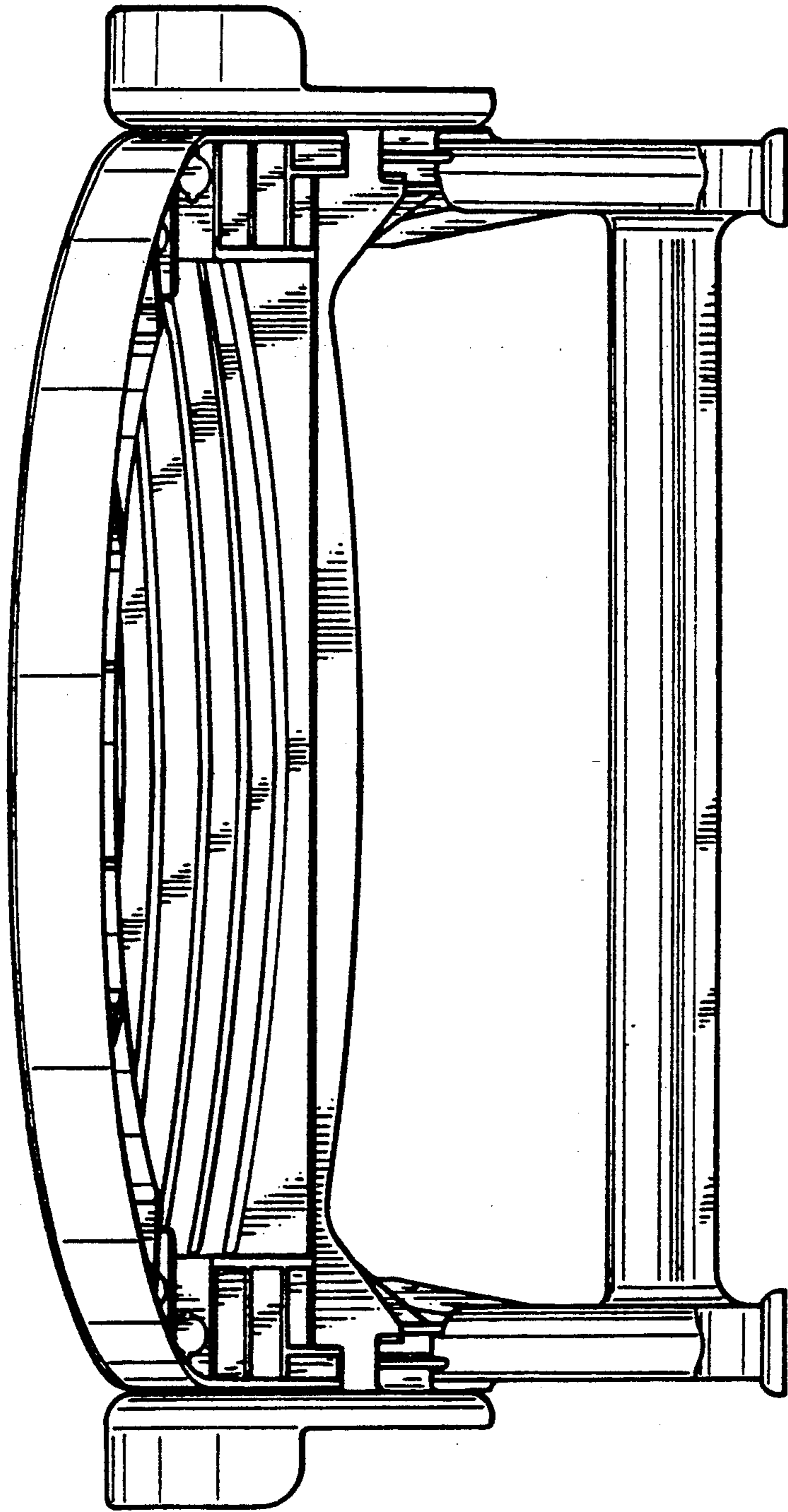


FIG. 3

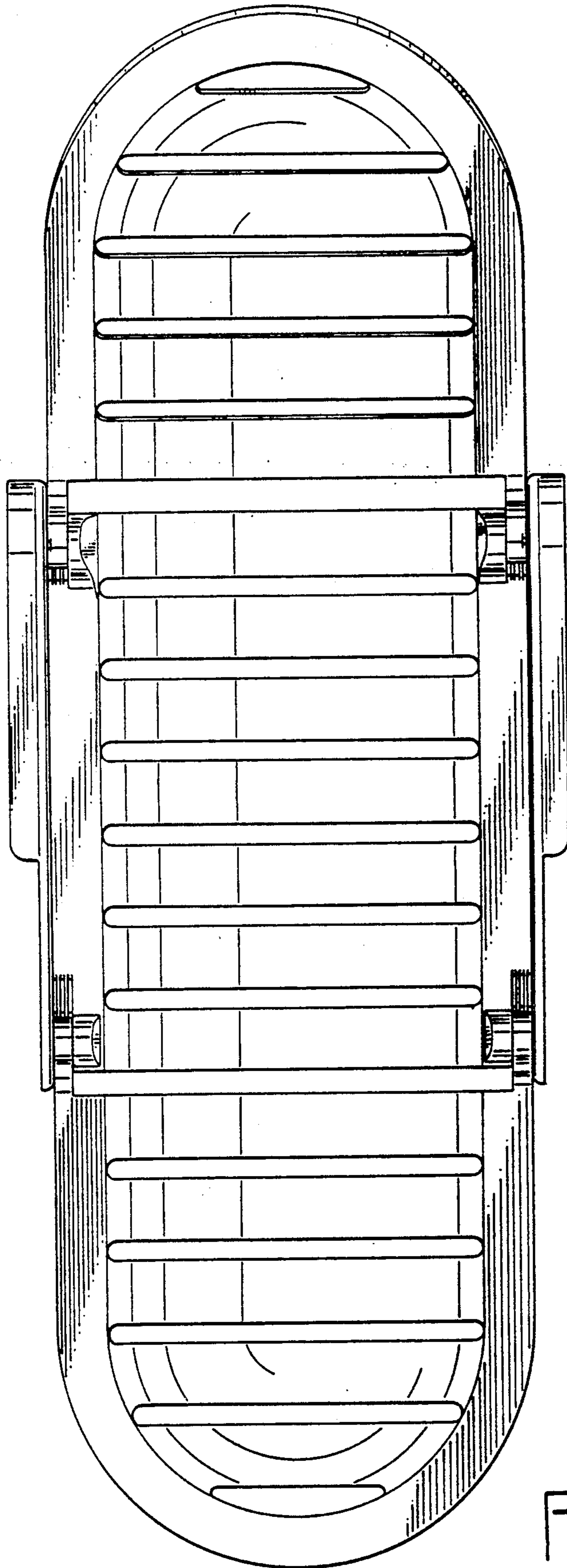


FIG. 4

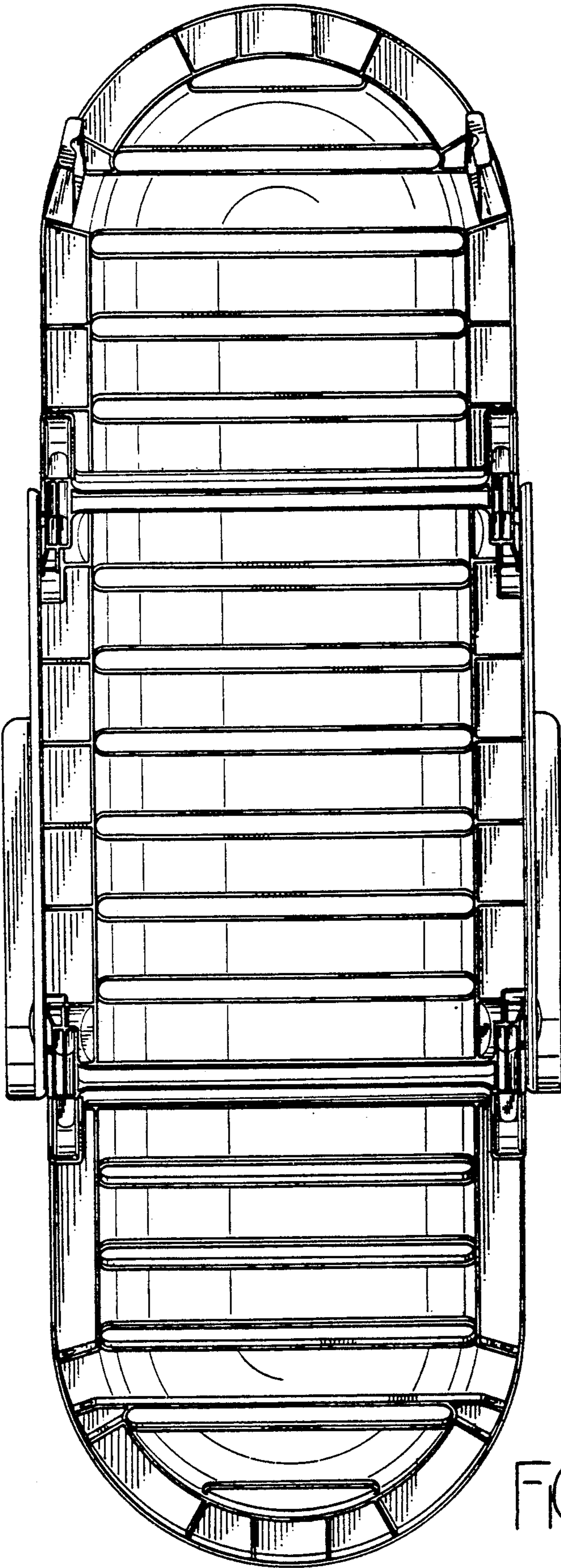


FIG. 5

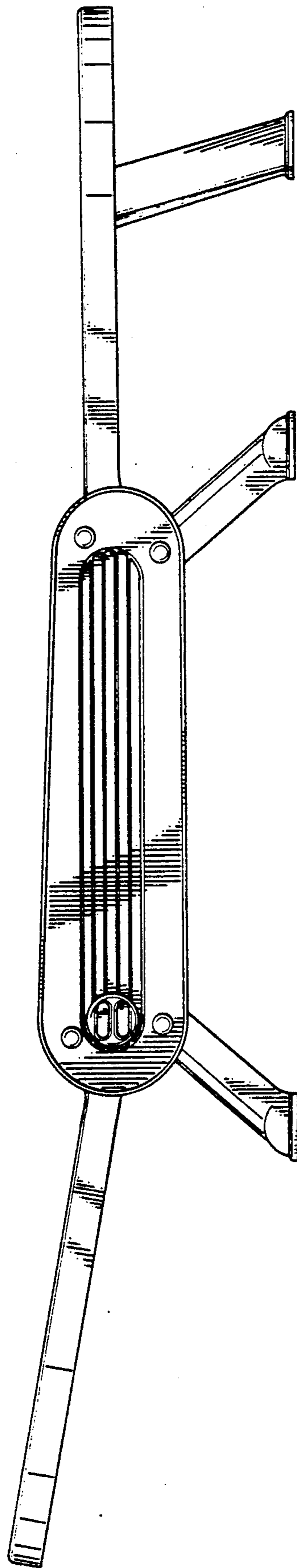


FIG. 6