



US00D334485S

United States Patent [19]

[11] Patent Number: **Des. 334,485**

Pomeroy et al.

[45] Date of Patent: *** Apr. 6, 1993**

[54] **GLIDER**

[75] Inventors: **Charles Pomeroy; John T. Bycraft,**
both of South Bend, Ind.

[73] Assignee: **Jack-Post Corporation,** Buchanan,
Mich.

[*] Notice: The portion of the term of this patent
subsequent to May 5, 2006 has been
disclaimed.

[**] Term: **14 Years**

[21] Appl. No.: **483,422**

[22] Filed: **Feb. 21, 1990**

[52] U.S. Cl. **D6/344**

[58] Field of Search **D6/344, 346, 347, 381;**
297/157, 244, 276, 278, 280, 281, 421

[56] **References Cited**

U.S. PATENT DOCUMENTS

D. 121,462	7/1940	Tabb	D6/347
D. 147,766	10/1947	Smith	D6/347
D. 259,308	5/1981	Sroub	D6/347
D. 290,911	7/1987	Pomeroy et al.	D6/347
D. 298,490	11/1988	Pomeroy et al.	D6/347
D. 310,604	9/1990	Pomeroy et al.	D6/347
4,919,480	2/1990	Drew, III	297/244

FOREIGN PATENT DOCUMENTS

1230561 9/1960 France 297/278

OTHER PUBLICATIONS

Double Glider by Behlen Mfg. Co.
Glider by Iron Mountain Forge.
Glider by Cardinal American Holiday Club
WGL-10V.
Glider by Cardinal American Holiday Club Model
WGL-10.
Glider by Cardinal American Patio Mates GL-10.
Glider by Oakwood Manufacturing Inc.
Glider by Flanders Industries.
Glider by Jack-Post Corporation Model FRGL.

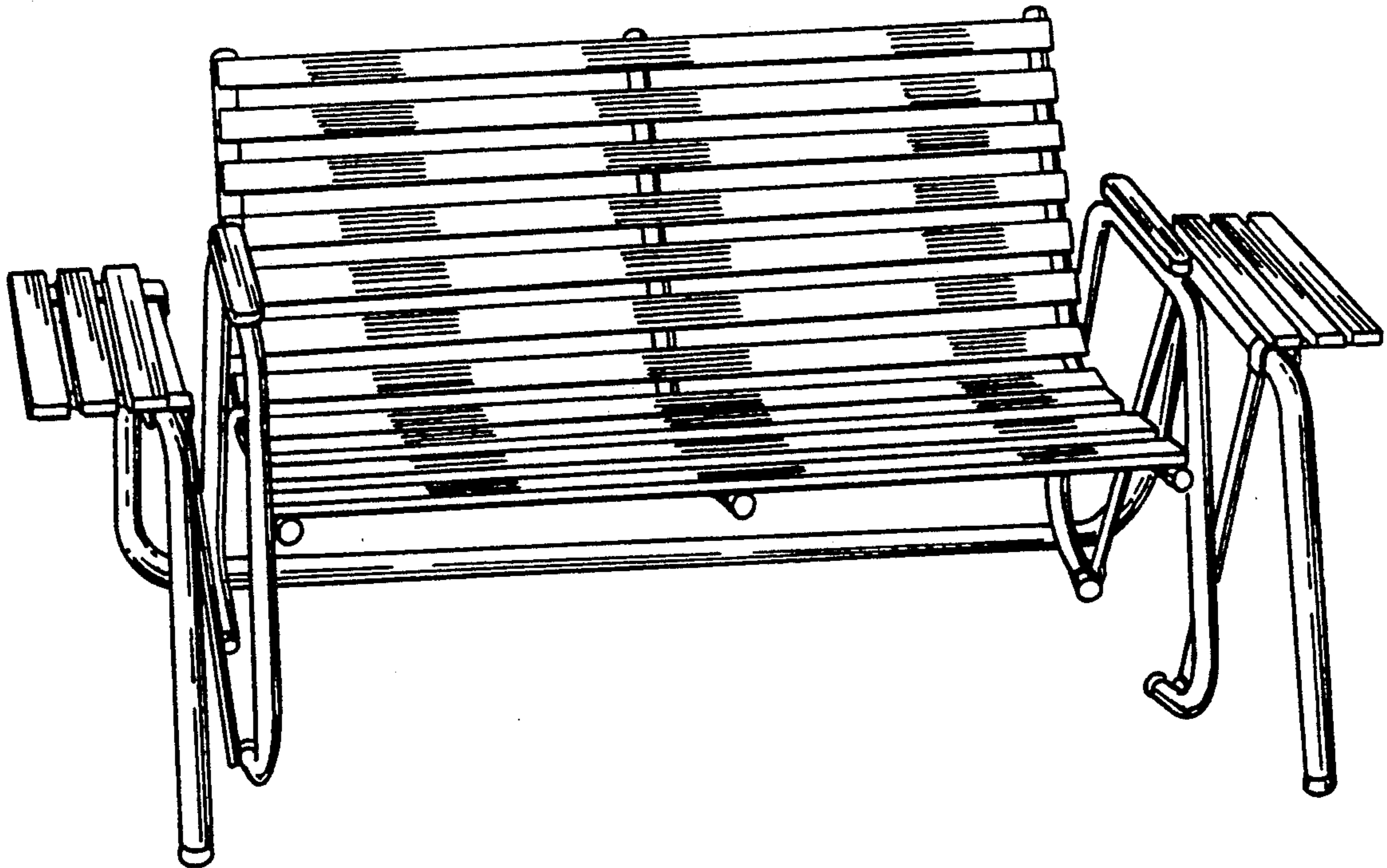
Primary Examiner—Alan P. Douglas
Assistant Examiner—Monica A. Hannon
Attorney, Agent, or Firm—Arnold, White & Durkee

[57] CLAIM

The ornamental design for the glider, as shown and described.

DESCRIPTION

FIG. 1 is a front perspective view of a glider embodying our new design;
FIG. 2 is an end view (opposite end is a mirror image) of the glider shown in FIG. 1;
FIG. 3 is a front view of the glider shown in FIG. 1;
FIG. 4 is a rear view of the glider shown in FIG. 1;
FIG. 5 is a top view of the glider shown in FIG. 1; and,
FIG. 6 is a bottom view of the glider shown in FIG. 1.



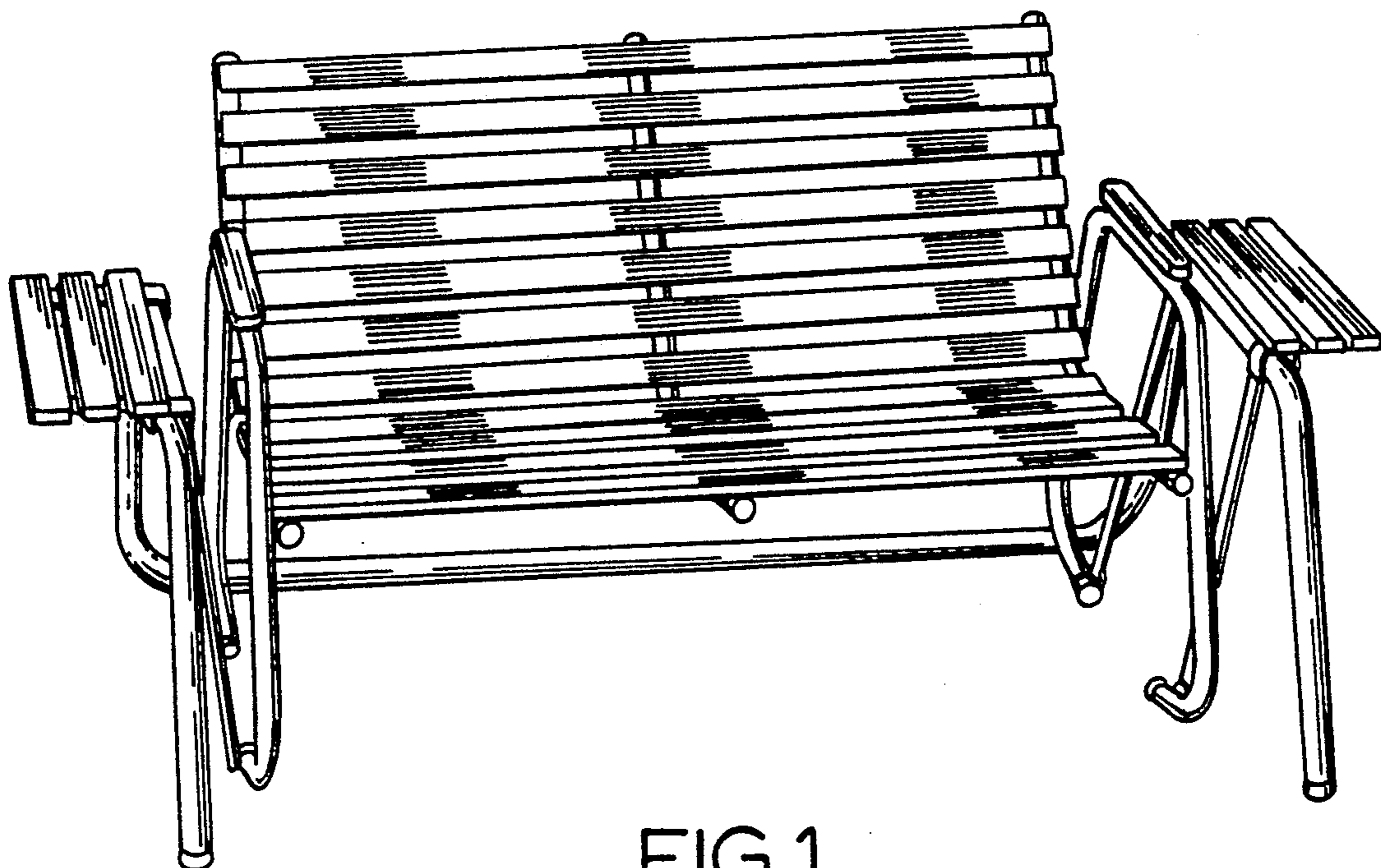


FIG. 1

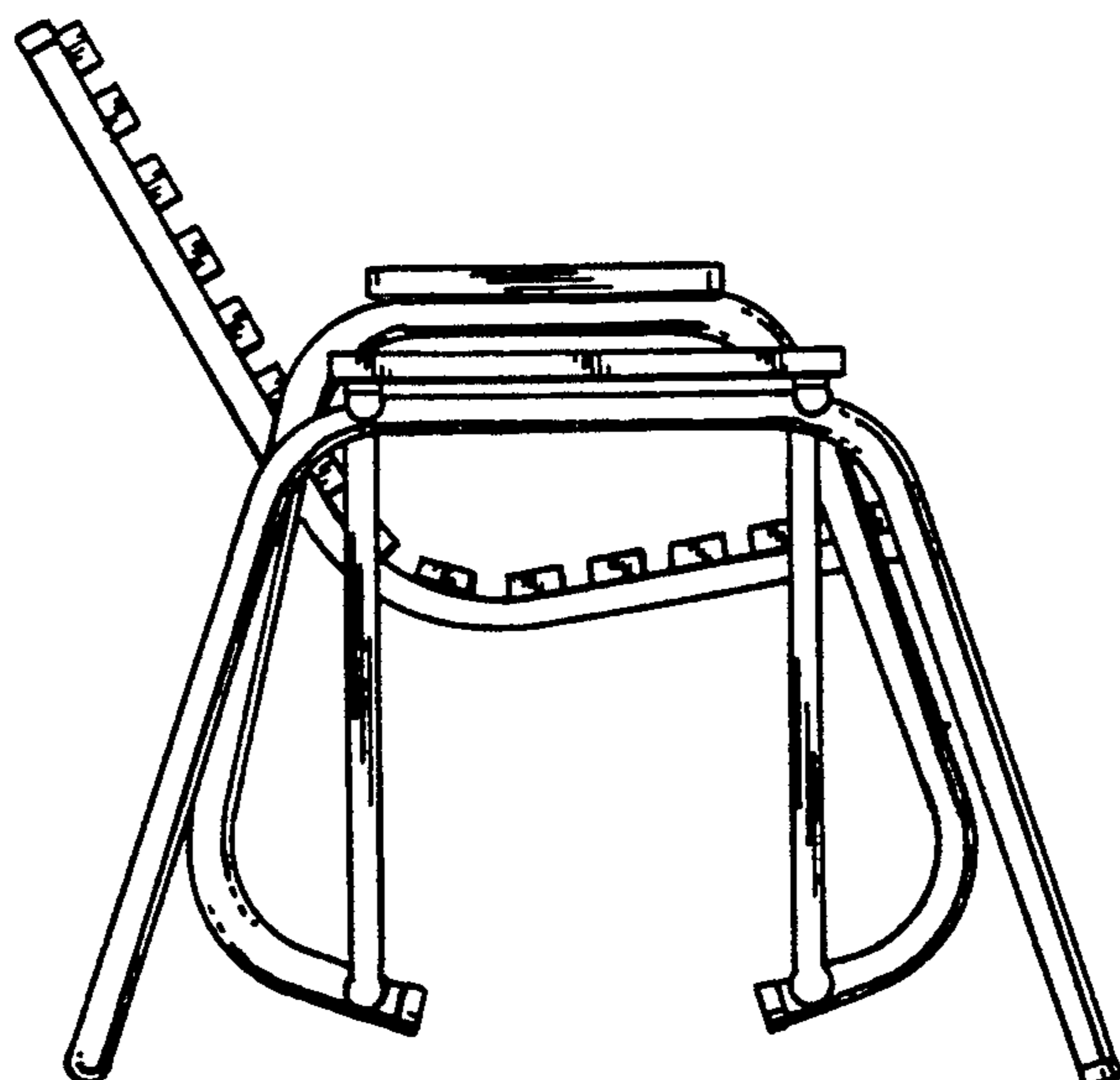


FIG. 2

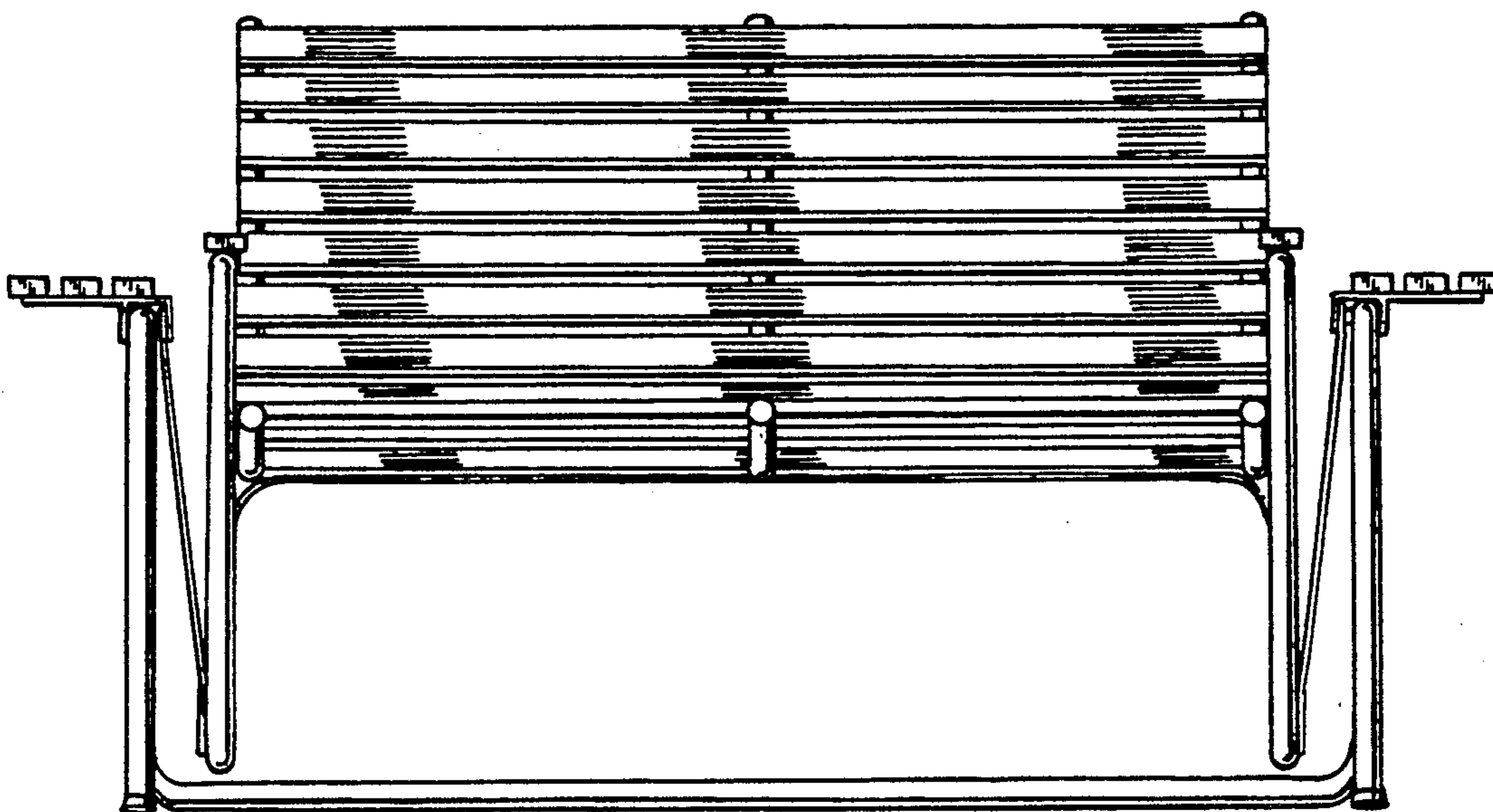


FIG. 3

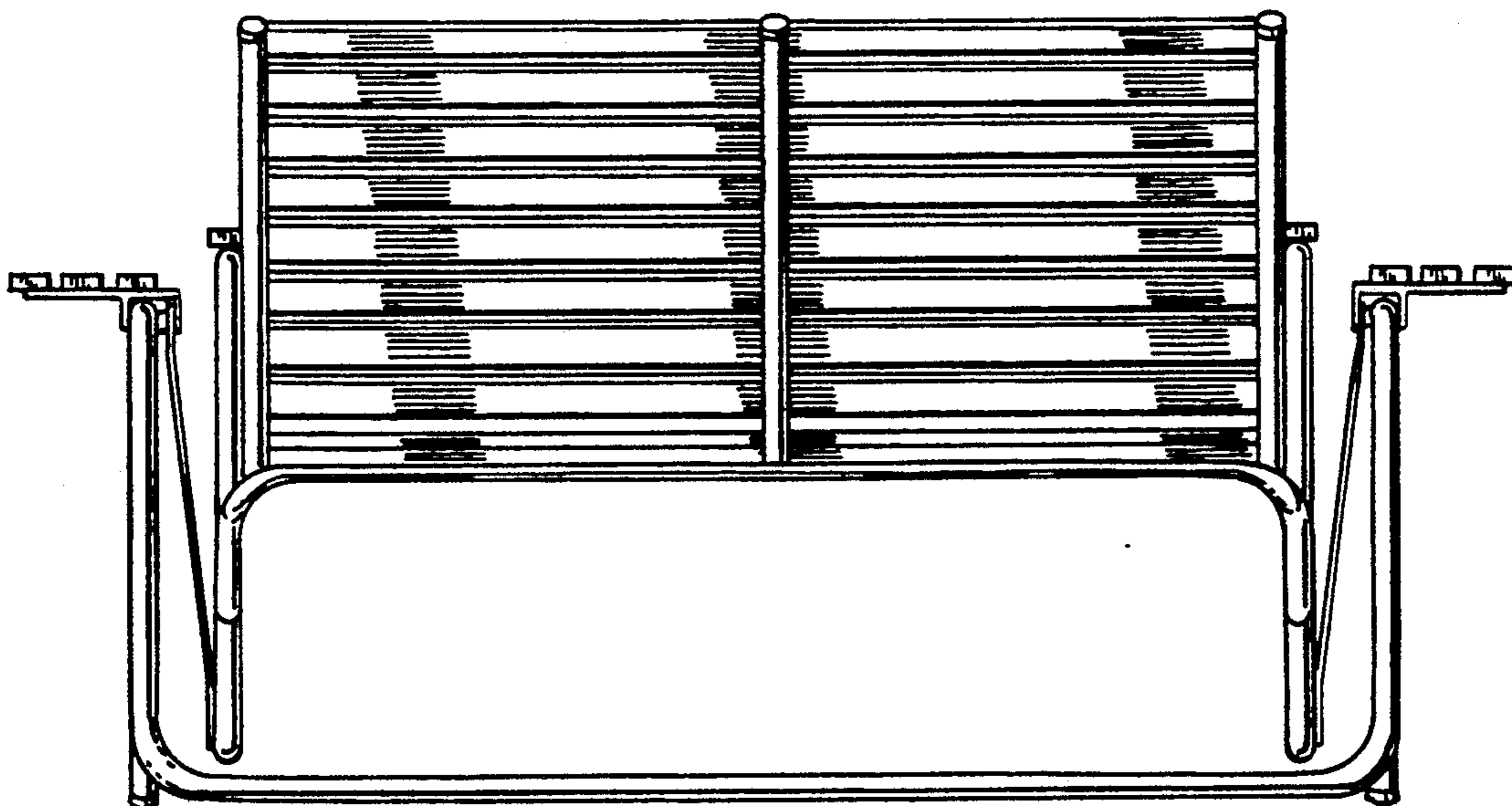


FIG. 4

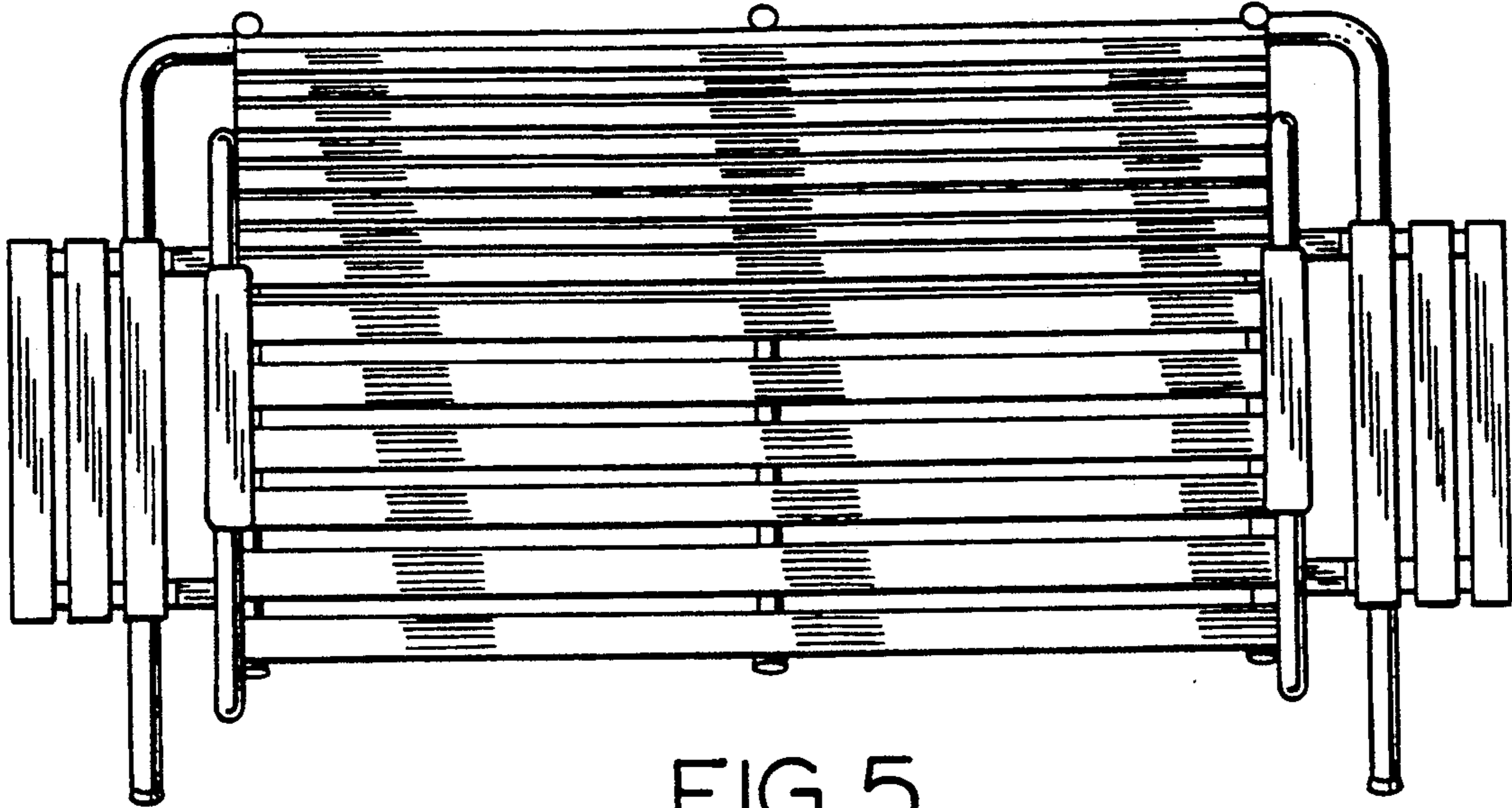


FIG. 5

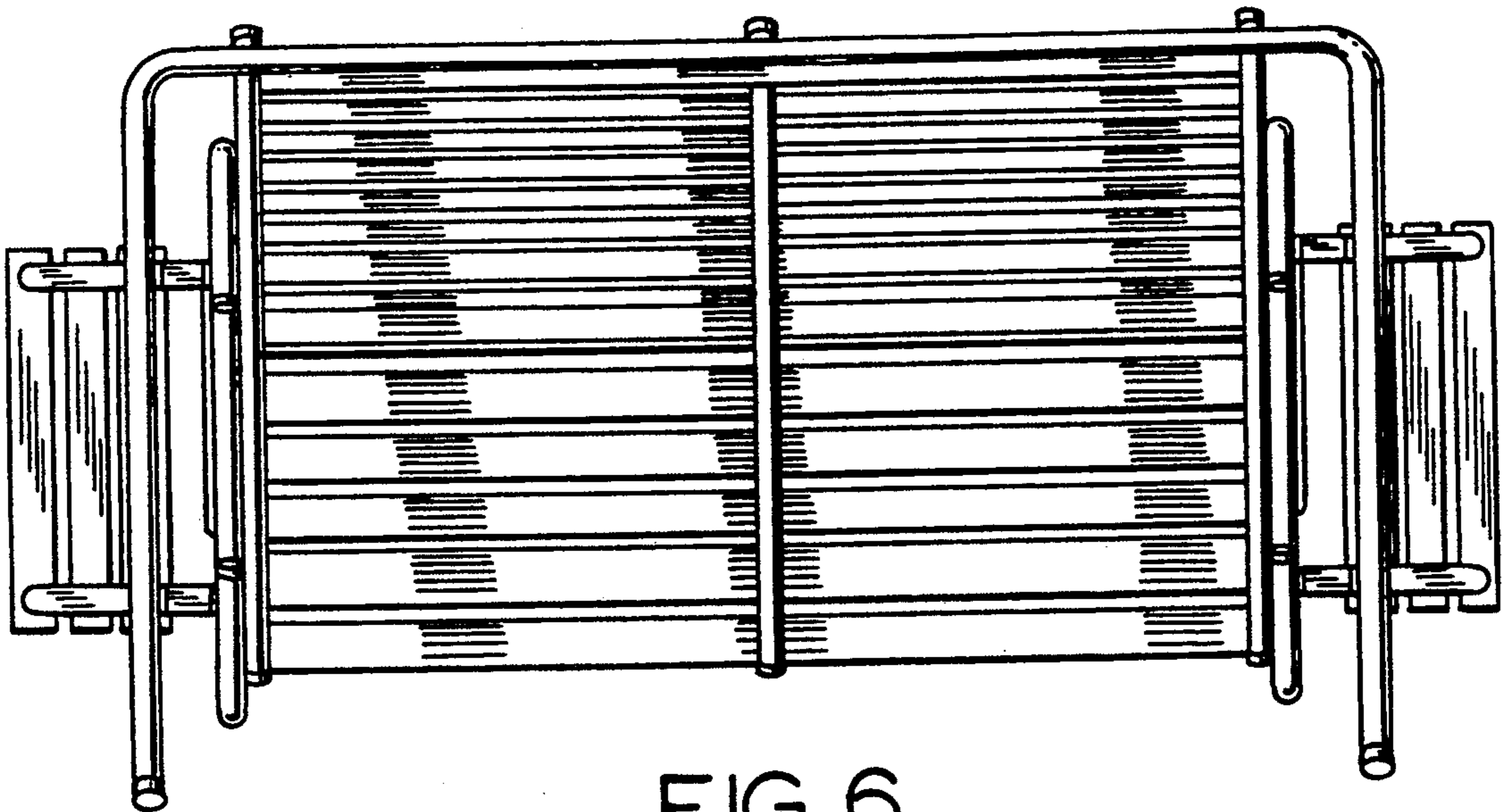


FIG. 6