



US00D334481S

United States Patent [19]

[11] Patent Number: **Des. 334,481**

Ramotar

[45] Date of Patent: **** Apr. 6, 1993**

[54] **TIE RACK**

[76] Inventor: **Tyrone Ramotar**, 101-24 123rd St.,
Queens, N.Y. 11419

[**] Term: **14 Years**

[21] Appl. No.: **740,183**

[22] Filed: **Aug. 5, 1991**

[52] U.S. Cl. **D6/322**

[58] Field of Search **D6/322, 570, 572, 320,**
D6/324; 211/60.1, 89, 95, 115

D. 250,156 11/1978 Tafoya D6/322
2,459,417 1/1949 Dodge 211/115
3,472,389 10/1969 Lowe 211/95

Primary Examiner—B. J. Bullock
Attorney, Agent, or Firm—Charles E. Baxley

[57] CLAIM

The ornamental design for a tie rack, as shown and described.

DESCRIPTION

FIG. 1 is a top plan view of a tie rack showing my design;

FIG. 2 is a bottom plan view thereof;

FIG. 3 is a right side elevational view thereof, the left side elevational view thereof being a mirror image of FIG. 3;

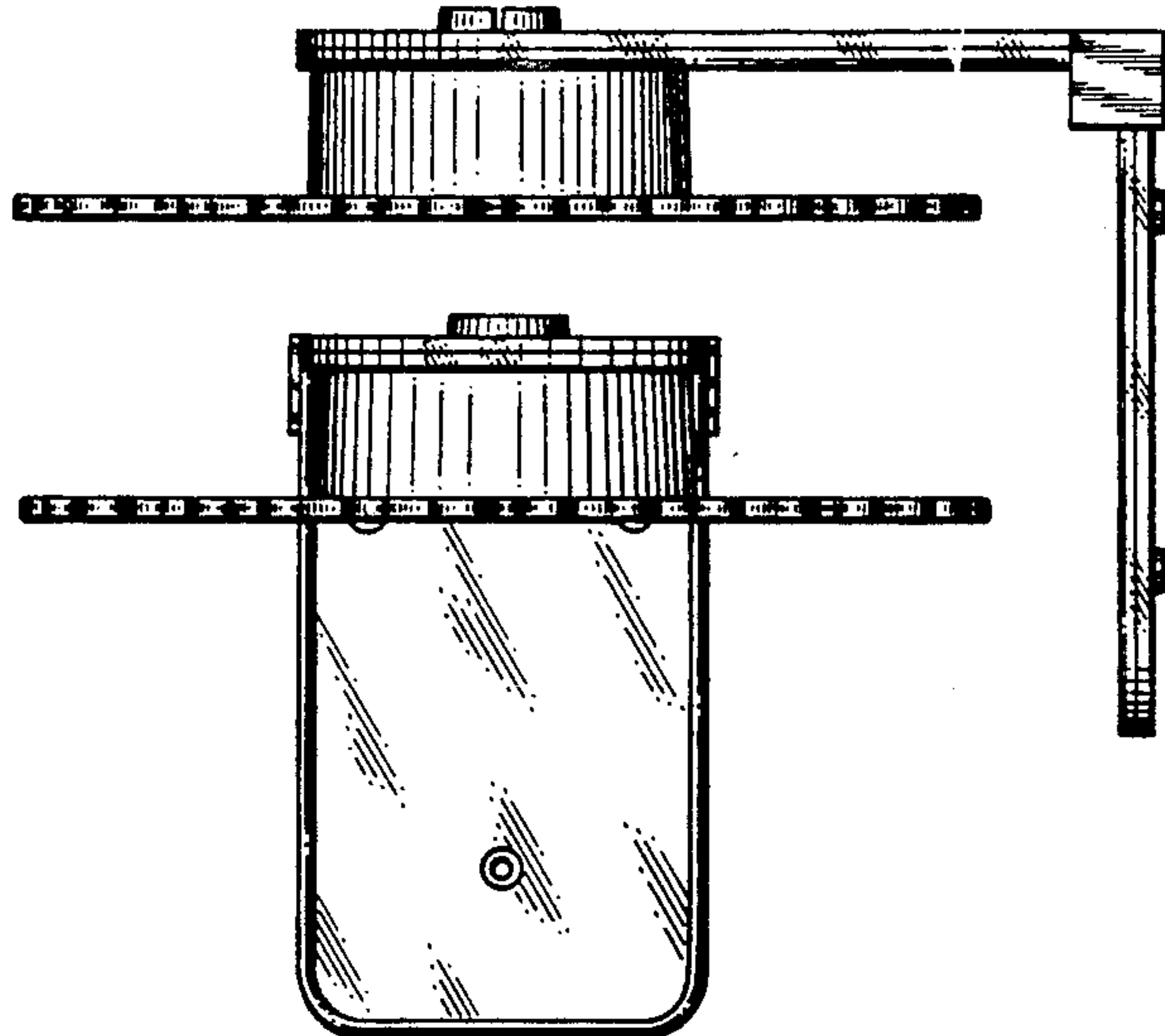
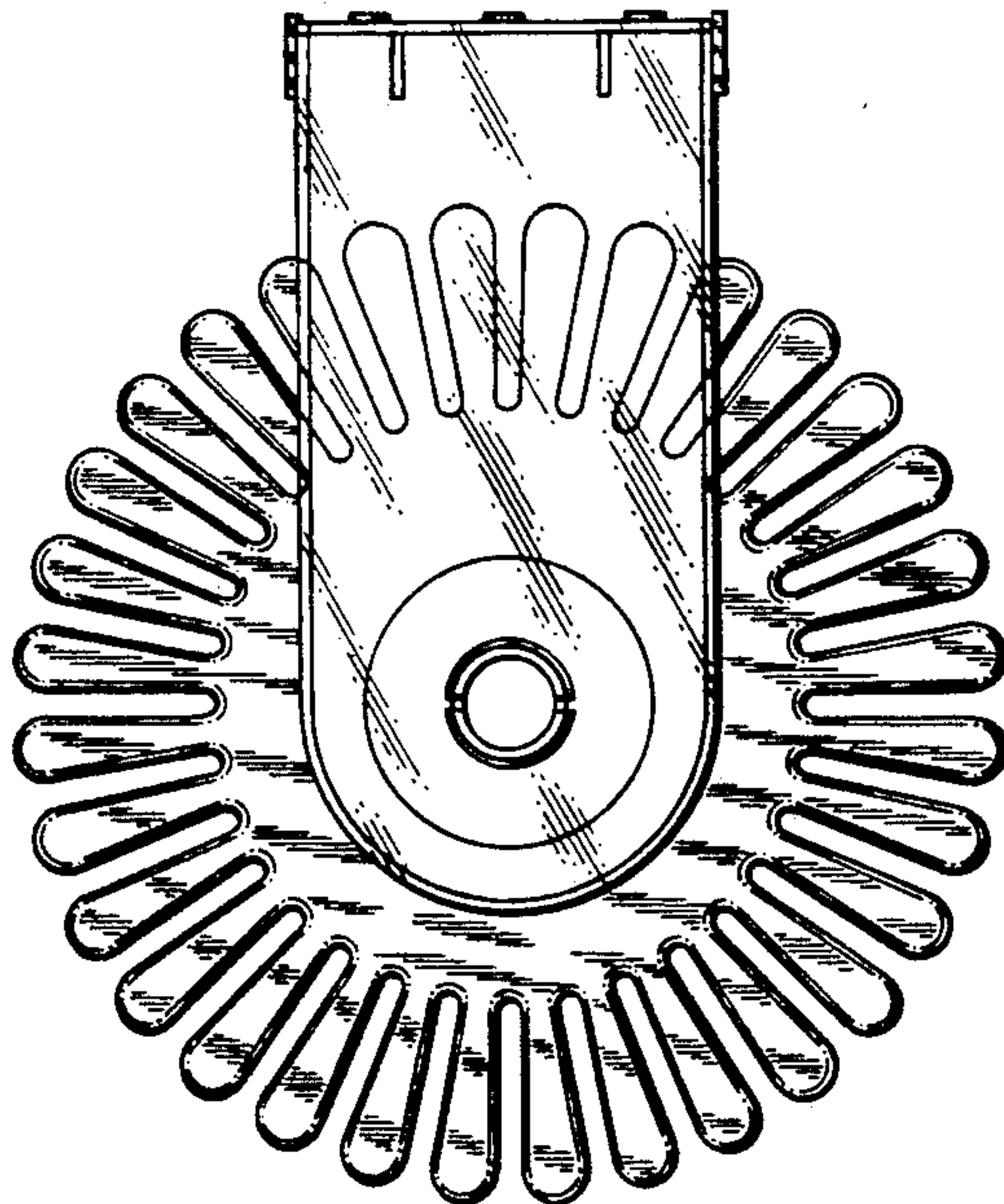
FIG. 4 is a front elevational view thereof; and,

FIG. 5 is a rear elevational view thereof.

[56] References Cited

U.S. PATENT DOCUMENTS

D. 138,204	7/1944	Rosenblatt	D6/322
D. 141,134	5/1945	Williams	D6/322
D. 141,725	6/1945	Rosenblatt	D6/322
D. 157,546	2/1950	Trabert	D6/320
D. 164,290	8/1951	Donaldson	D6/324



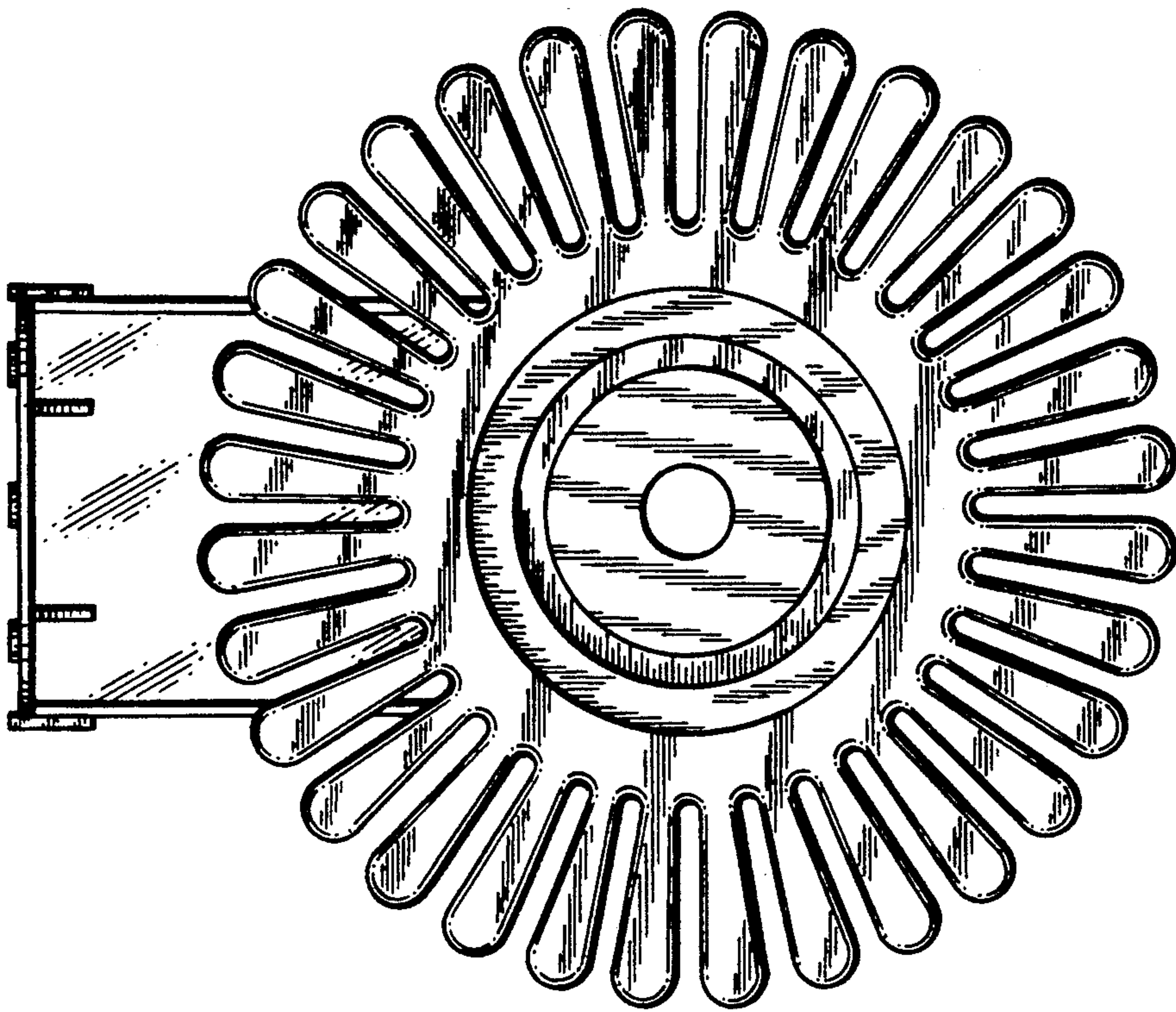


FIG. 2

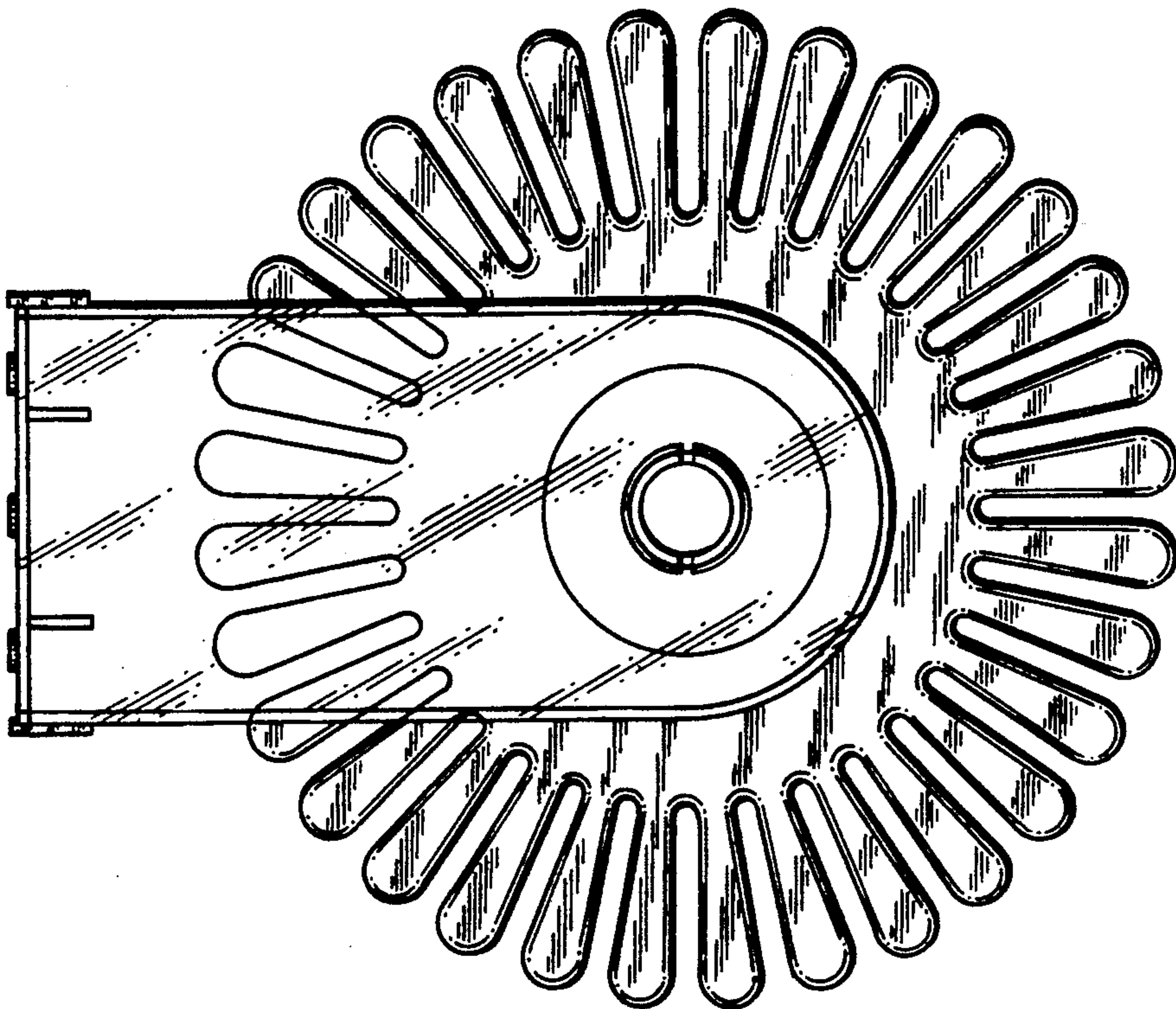


FIG. 1

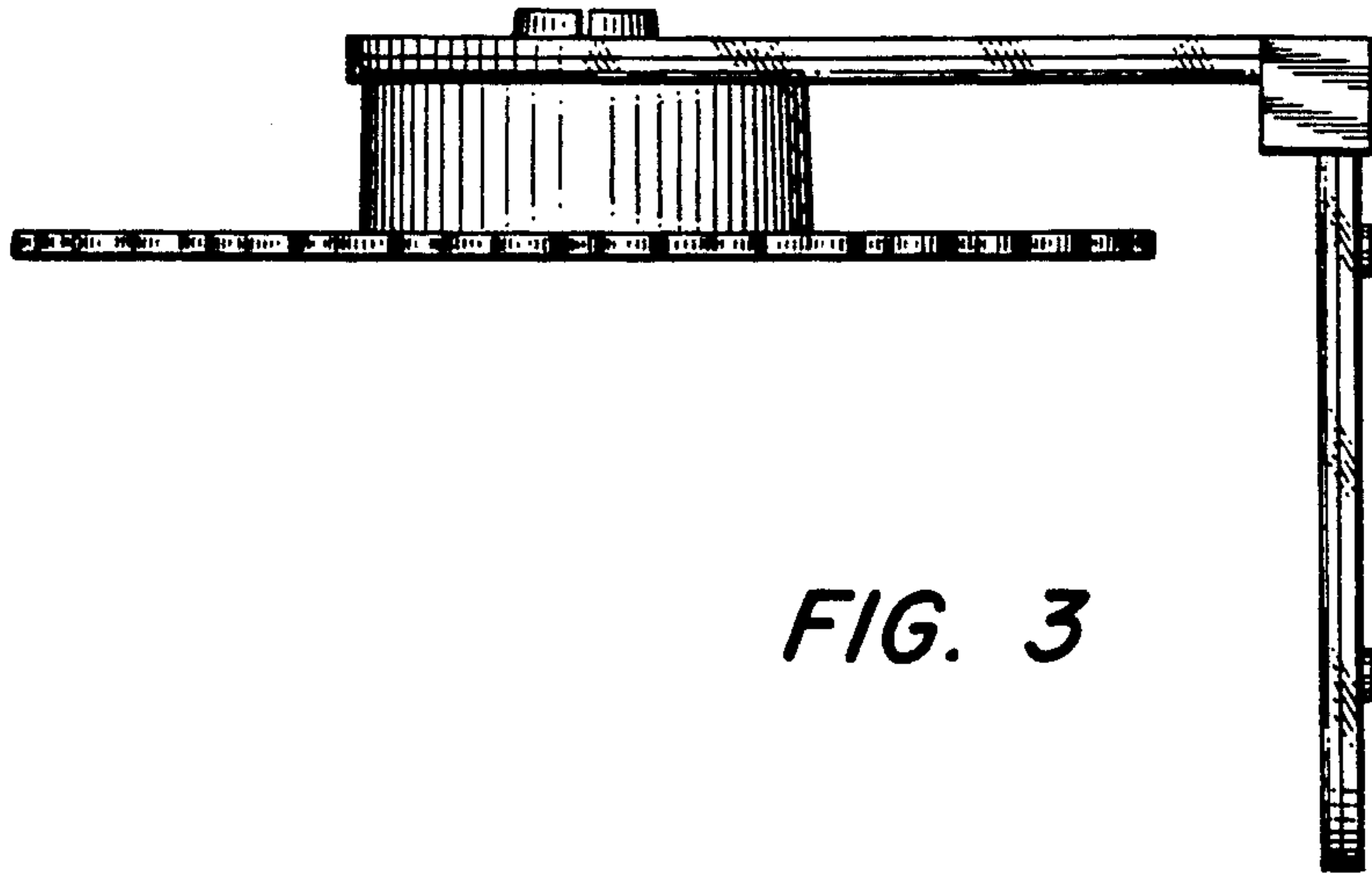


FIG. 3

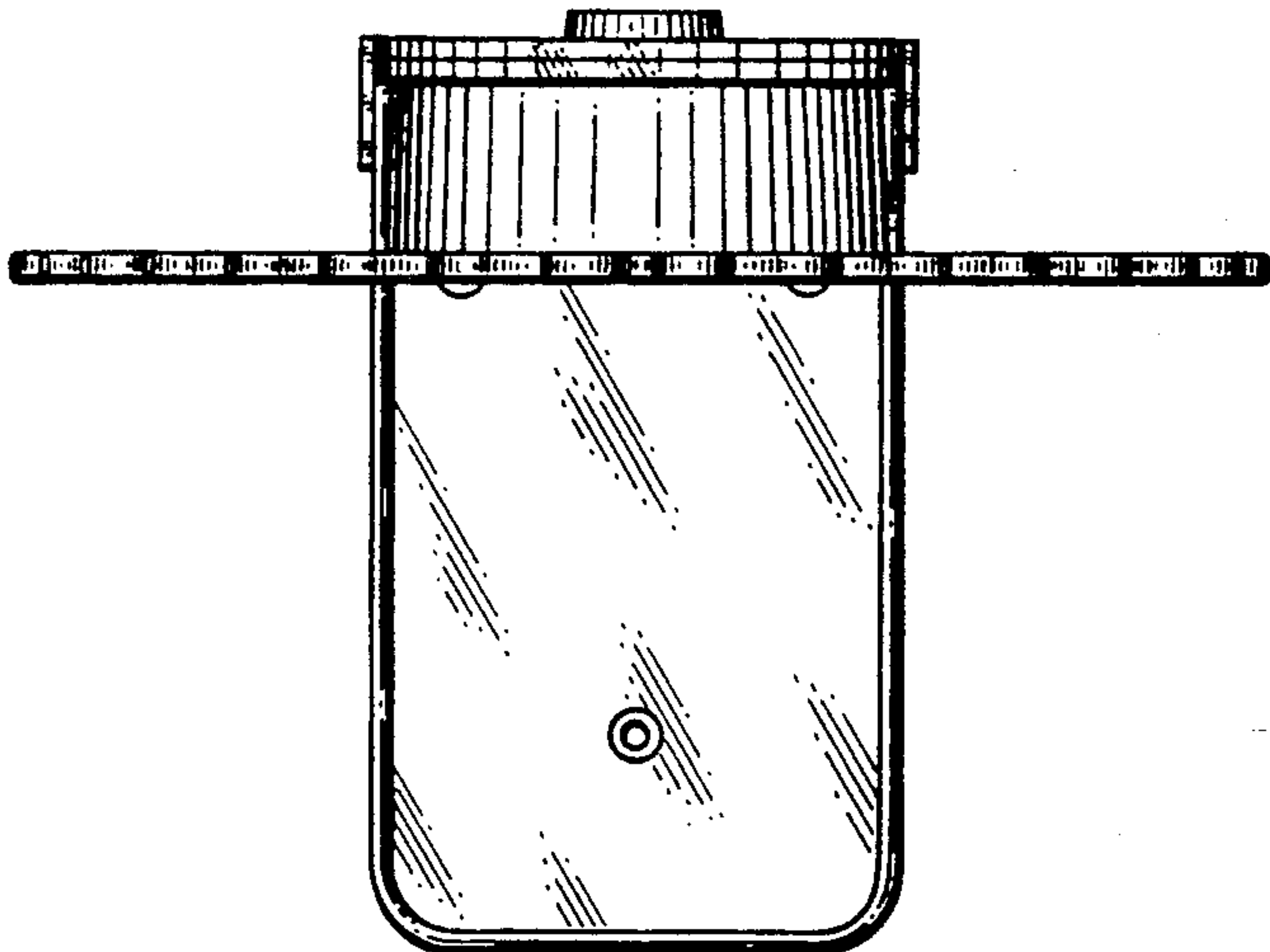


FIG. 4

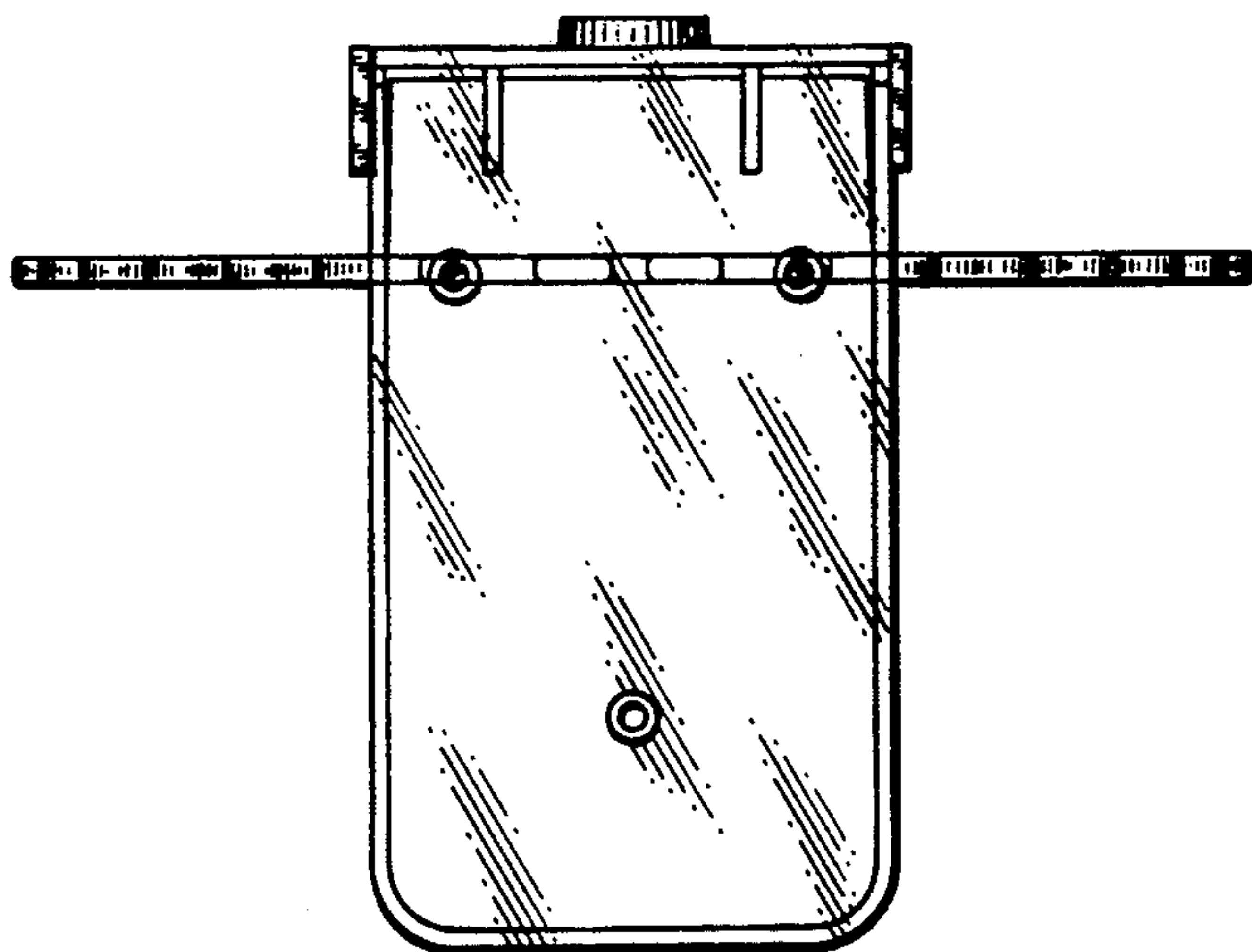


FIG. 5