



US00D334475S

United States Patent [19]

[11] Patent Number: **Des. 334,475**

Quondamatteo

[45] Date of Patent: **** Apr. 6, 1993**

[54] **HAIRBRUSH WITH A PLATE TO REMOVE HAIR FROM THE BRISTLES**

1,303,500 5/1919 Rosenberg 15/142 X
3,110,053 11/1963 Surabian 15/159 R

[76] Inventor: **George Quondamatteo, 42-15 189th St., Flushing, N.Y. 11358**

Primary Examiner—Wallace R. Burke
Assistant Examiner—Lavone D. Tabor
Attorney, Agent, or Firm—Terry M. Gernstein

[**] Term: **14 Years**

[57] **CLAIM**

[21] Appl. No.: **550,354**

The ornamental design for a hairbrush with a plate to remove hair from the bristles, as shown and described.

[22] Filed: **Jul. 10, 1990**

[52] U.S. Cl. **D4/116; D4/121; D4/136**

DESCRIPTION

[58] Field of Search **D4/116, 121, 130, 132, D4/134, 136, 138, 199; 15/104.5, 104.54, 142, 169, 186-188, 246; 119/88; 132/119-120**

FIG. 1 is a perspective view of the hairbrush with a plate to remove hair from the bristles embodying the design of the present invention;

[56] **References Cited**

FIG. 2 is a front elevational view thereof, the rear being a mirror image of the front shown in FIG. 2;

U.S. PATENT DOCUMENTS

D. 172,099 5/1954 Lefebvre D4/138
D. 256,294 8/1980 Su D4/121
D. 309,529 7/1990 Kim D4/116
D. 313,124 12/1990 Gullett D4/116

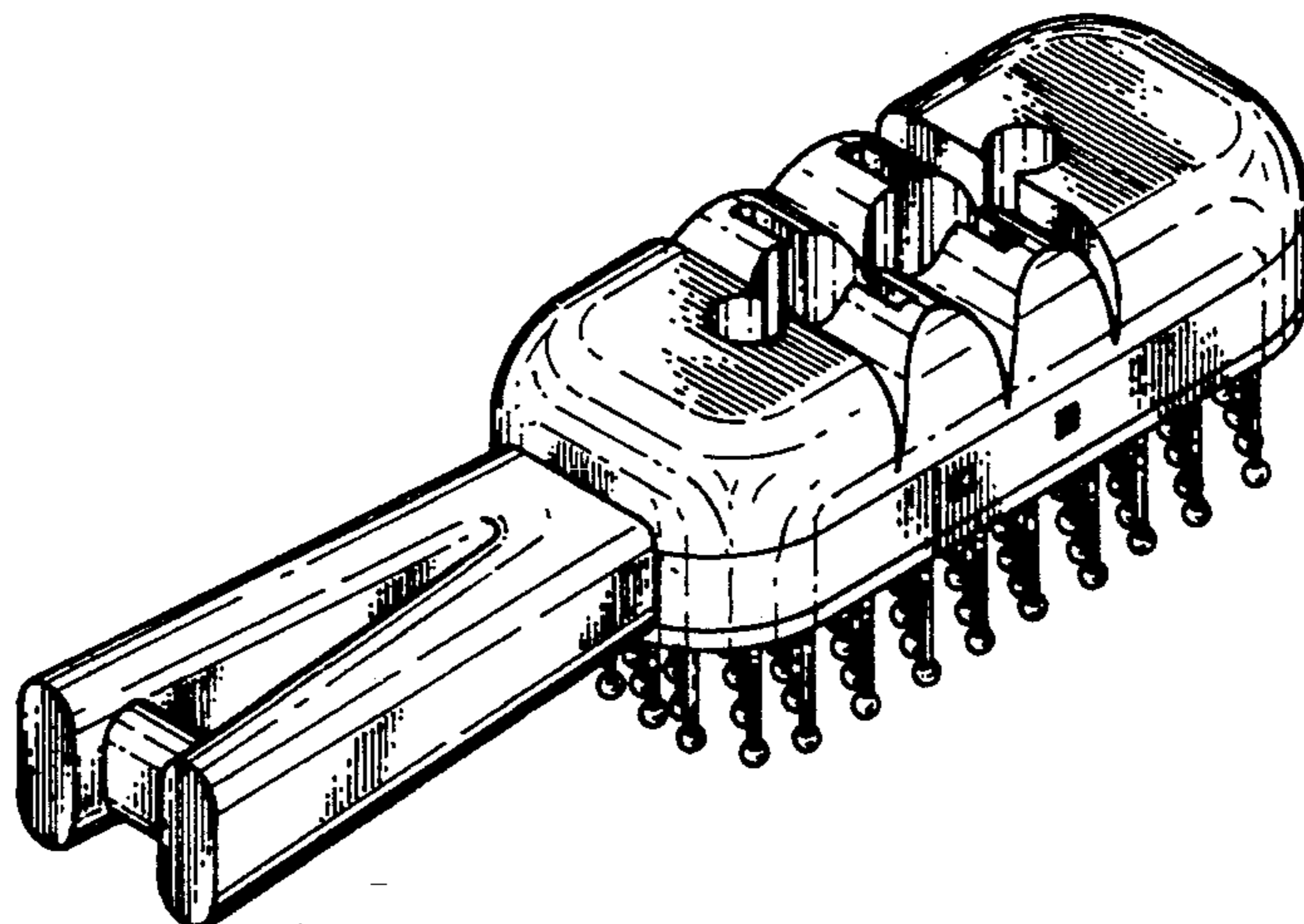
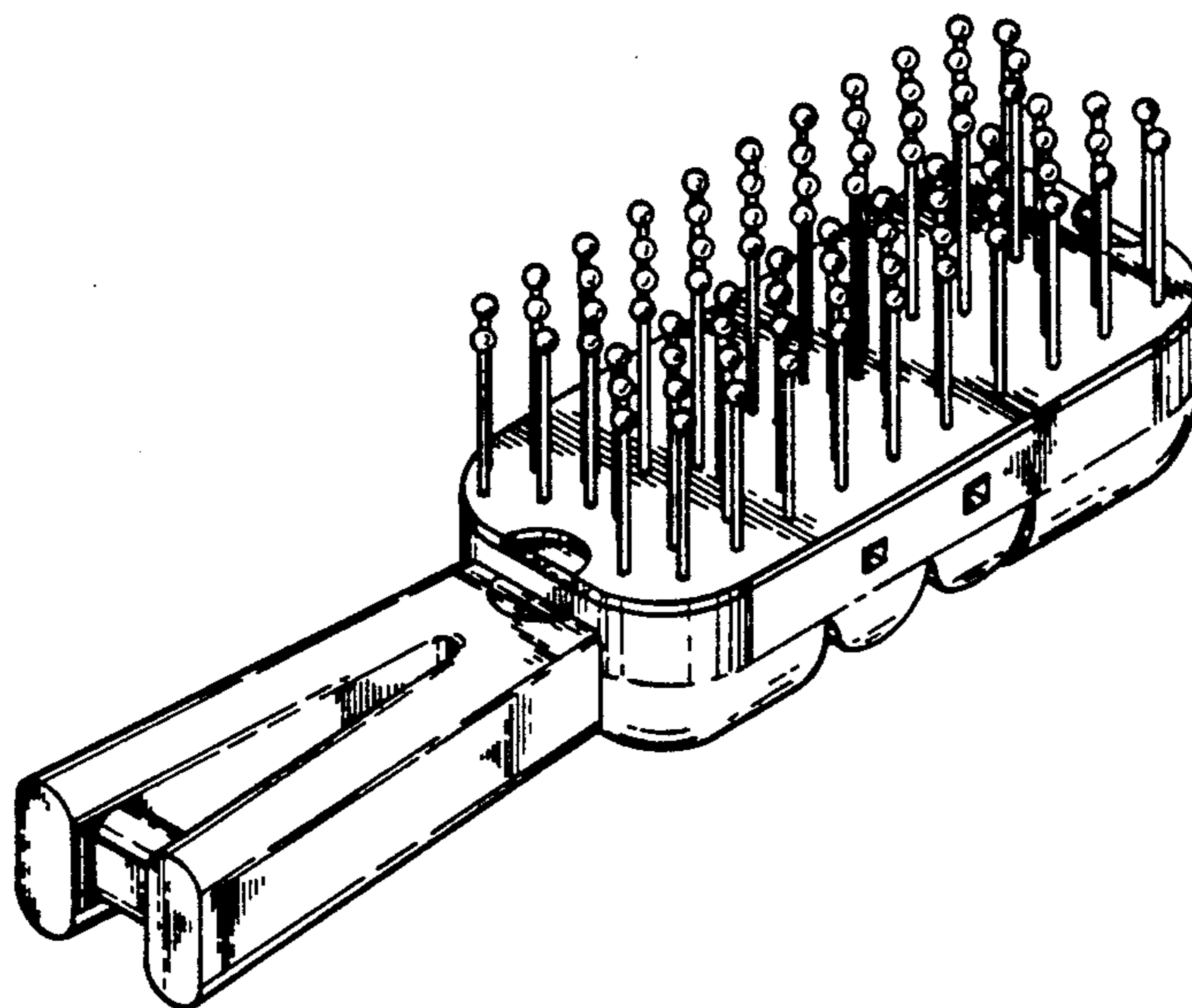
FIG. 3 is an end elevational view thereof;

FIG. 4 is an end elevational view thereof;

FIG. 5 is a top plan view thereof;

FIG. 6 is a bottom plan view thereof; and,

FIG. 7 is a bottom perspective view thereof.



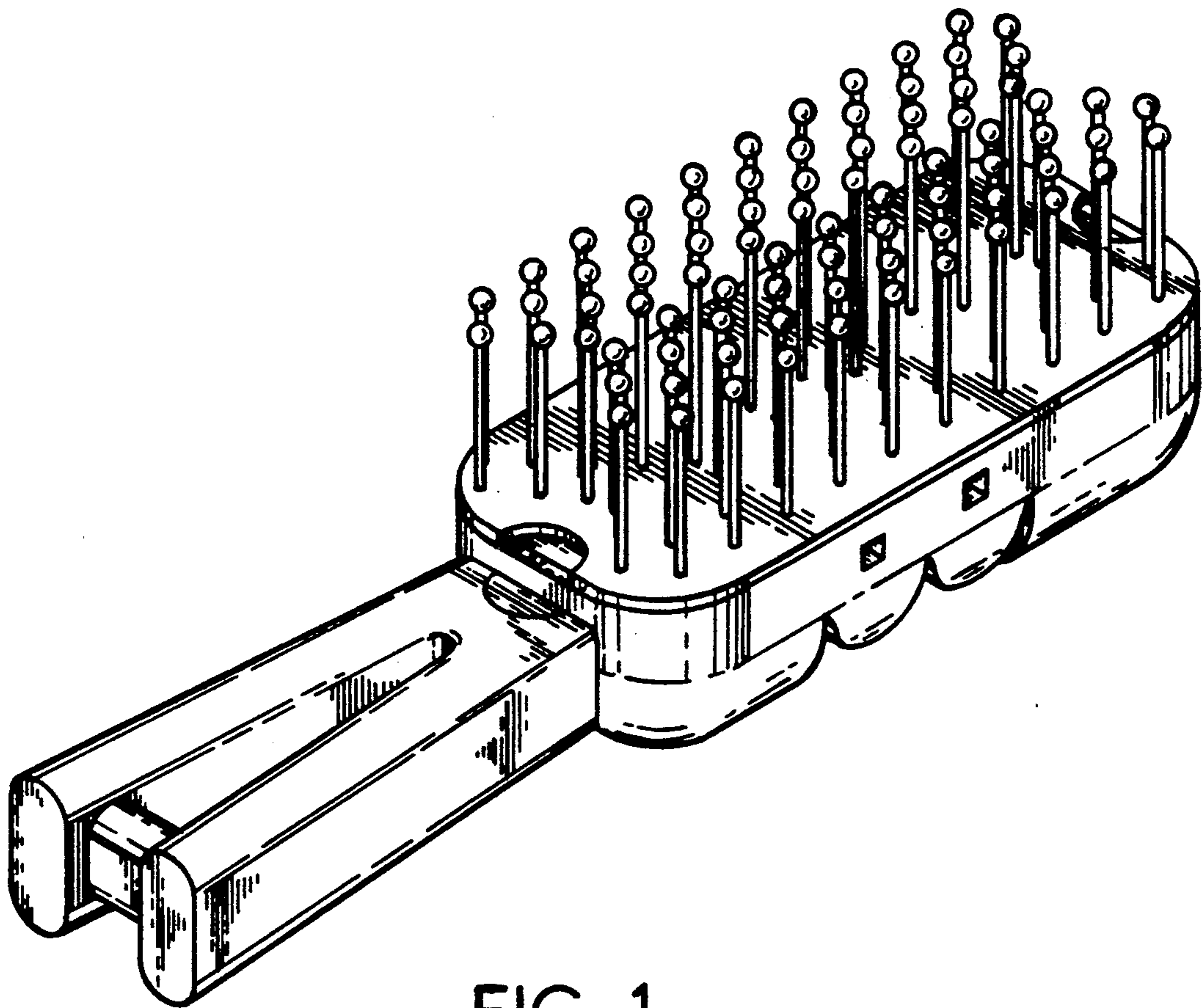


FIG. 1

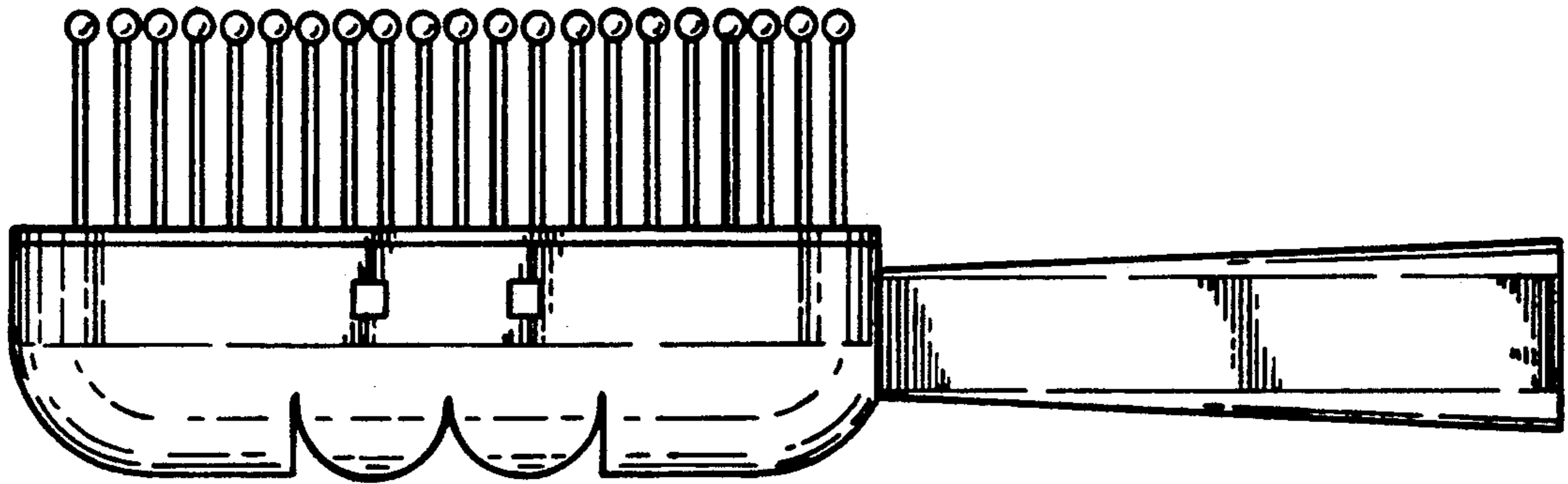


FIG. 2

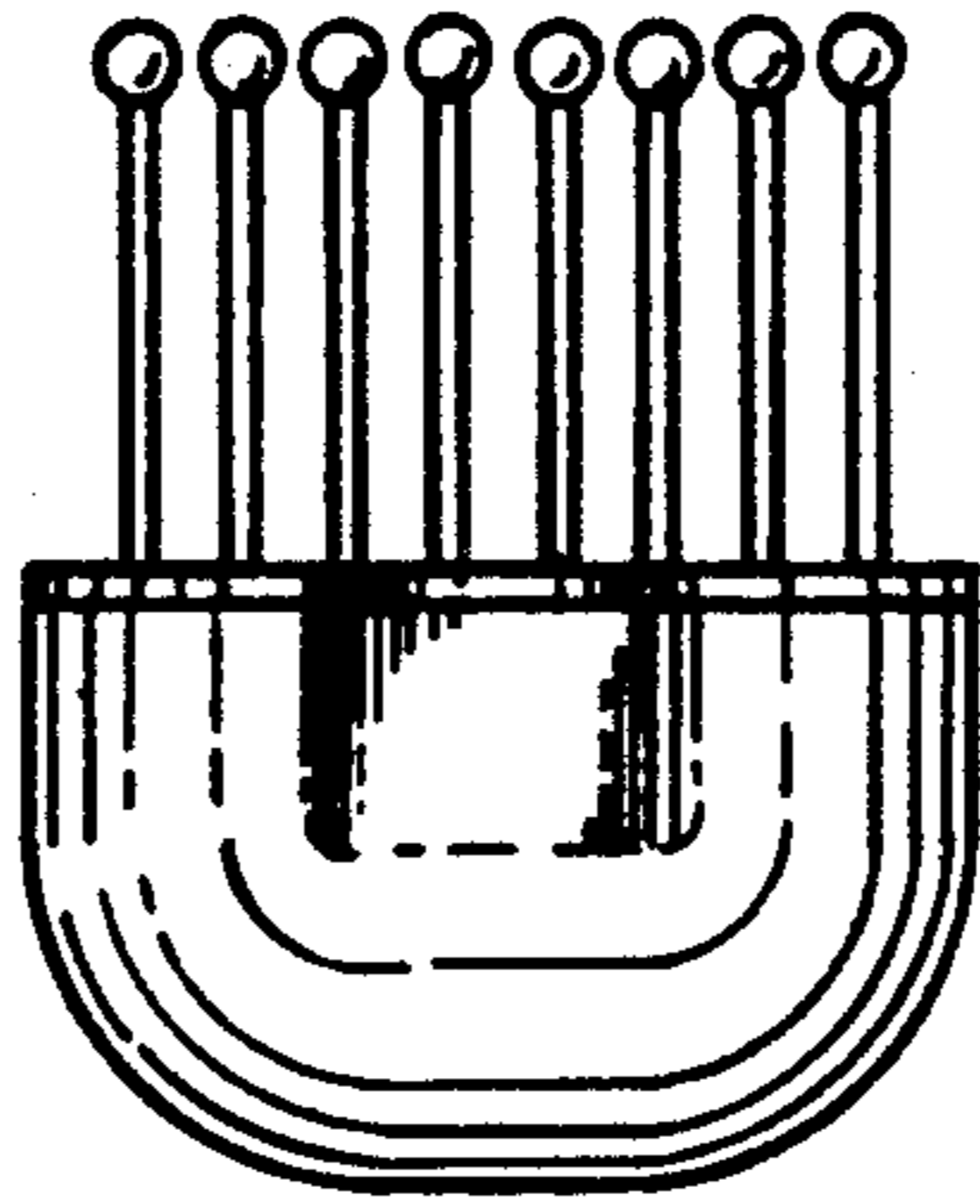


FIG. 3

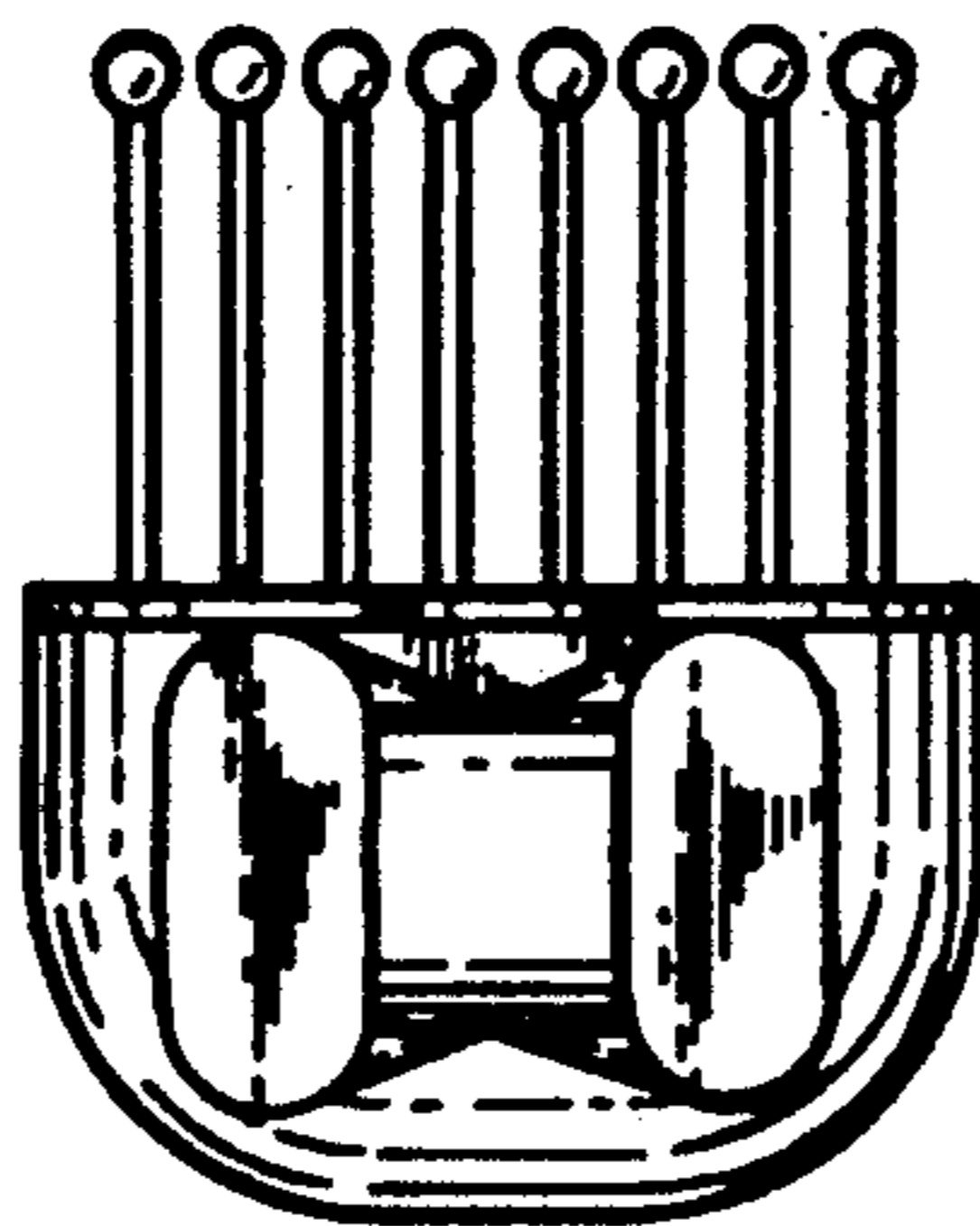


FIG. 4

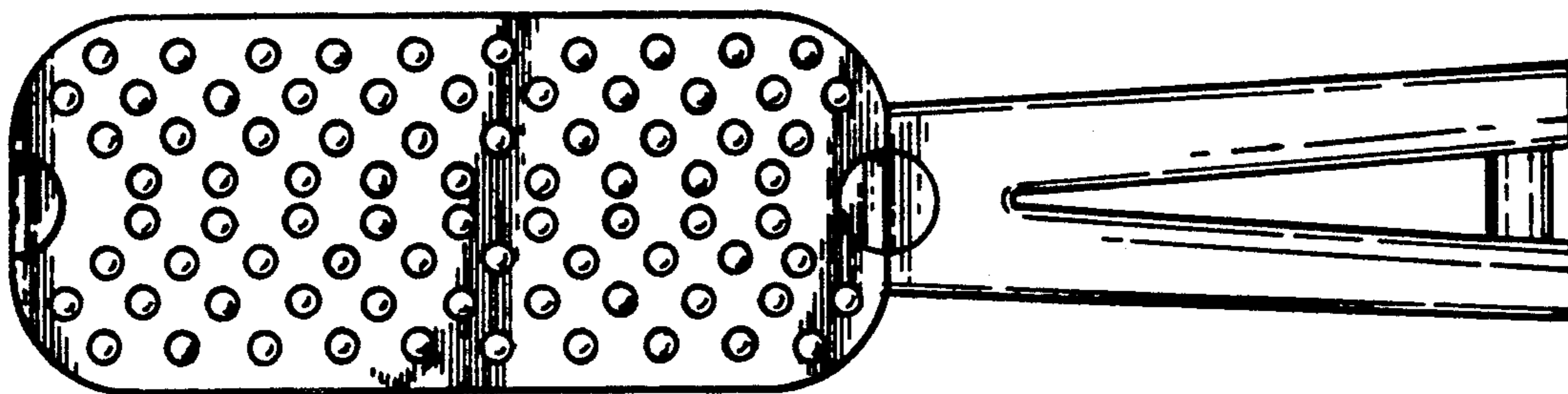


FIG. 5

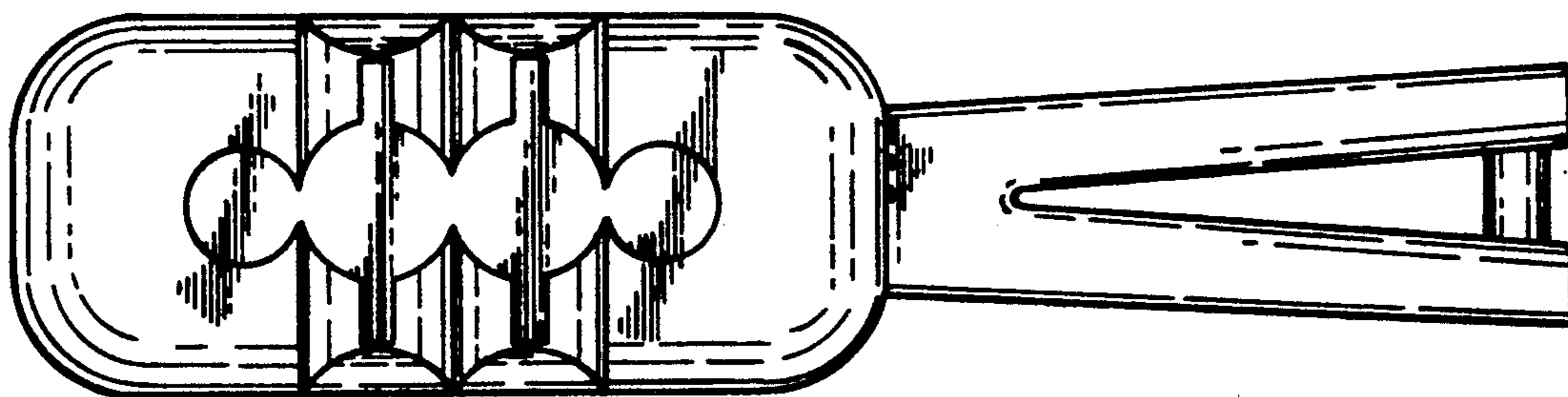


FIG. 6

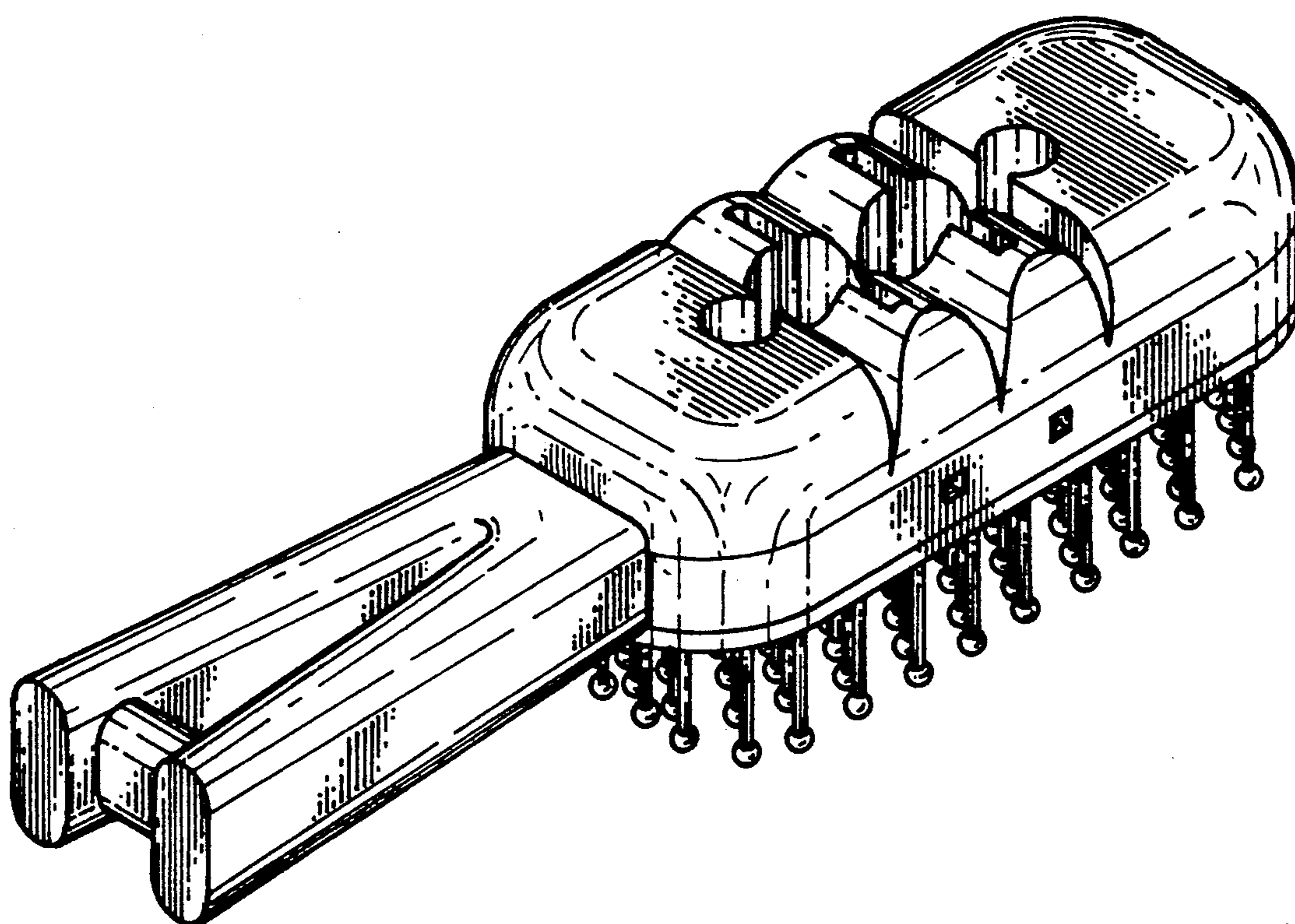


FIG. 7