



US00D334474S

United States Patent [19]

[11] Patent Number: **Des. 334,474**

Sauceda

[45] Date of Patent: **** Apr. 6, 1993**

[54] **TOOTHBRUSH HANDLE**

[75] Inventor: **Barbara H. Saucedo**, Palo Alto, Calif.

[73] Assignee: **Colgate-Palmolive Company**, New York, N.Y.

[**] Term: **14 Years**

[21] Appl. No.: **706,530**

[22] Filed: **May 28, 1991**

[52] U.S. Cl. **D4/104; D4/138**

[58] Field of Search **D4/104-114, D4/132-134, 136, 138; 15/143.1, 159.1, 160, 167.1-167.3**

[56] **References Cited**

U.S. PATENT DOCUMENTS

D. 123,388	11/1940	Duey	D4/104
D. 276,193	11/1984	Tanabe et al.	D4/104
D. 292,448	10/1987	Vianello	D4/104
2,263,885	11/1941	McGauley	15/167.1
4,788,734	12/1988	Bauer	15/167.1

OTHER PUBLICATIONS

Canadian Design registration No. 31663, registered on

Sep. 2, 1969 in the name of A/S W. Jordan Borste & Pensel Fabrik for a "toothbrush".

Primary Examiner—Wallace R. Burke
Assistant Examiner—Lavone D. Tabor
Attorney, Agent, or Firm—Richard J. Ancel; Robert C. Sullivan

[57] **CLAIM**

The ornamental design for a toothbrush handle, as shown and described.

DESCRIPTION

FIG. 1 is a front elevational view of a toothbrush handle showing my new design;
FIG. 2 is a side elevational view thereof;
FIG. 3 is a rear elevational view thereof;
FIG. 4 is a side elevational view from the other side thereof;
FIG. 5 is an end elevational view from the left end of FIG. 2;
FIG. 6 is an end elevational view from the right end of FIG. 2; and,
FIG. 7 is a front perspective view thereof.
The structure shown in phantom or broken lines in the Figures forms no part of the claimed design and is present only to illustrate the environment.

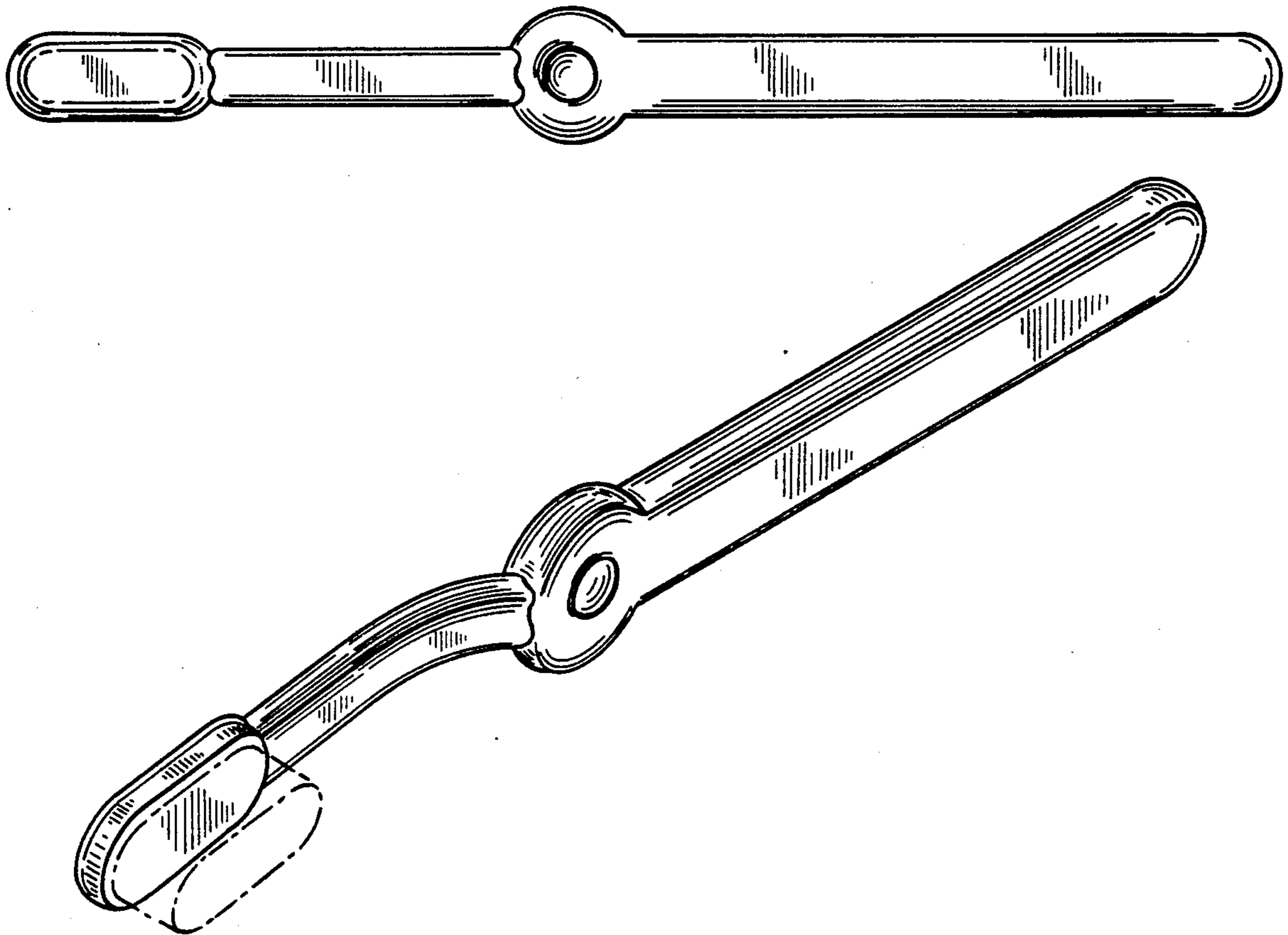


FIG. 1

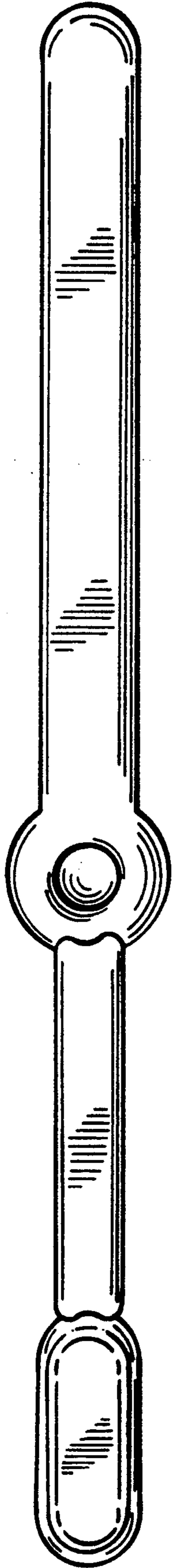


FIG. 2

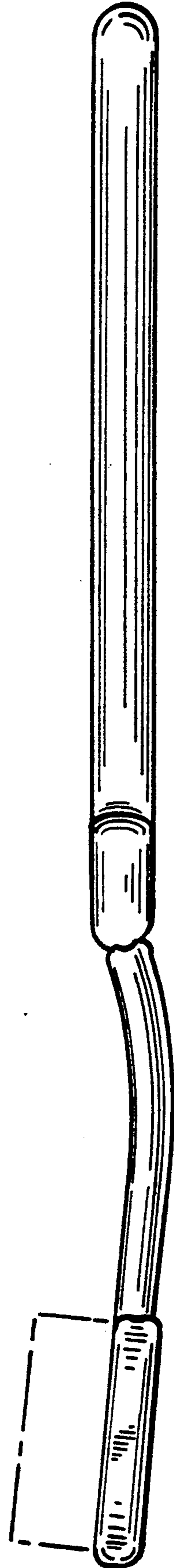


FIG. 3

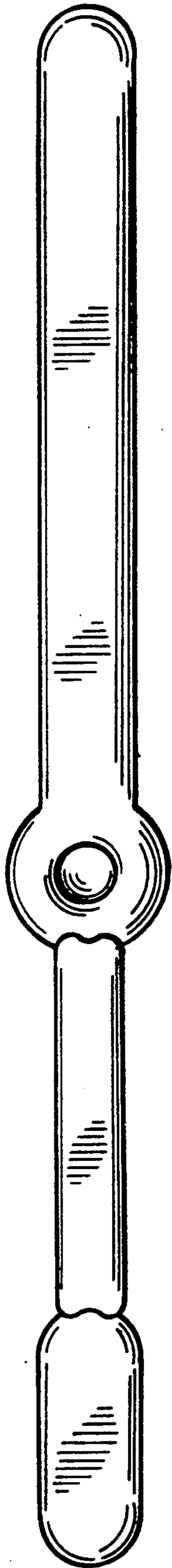


FIG. 4

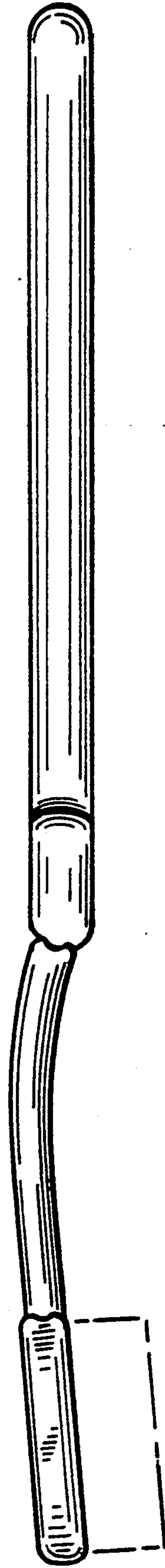


FIG. 5

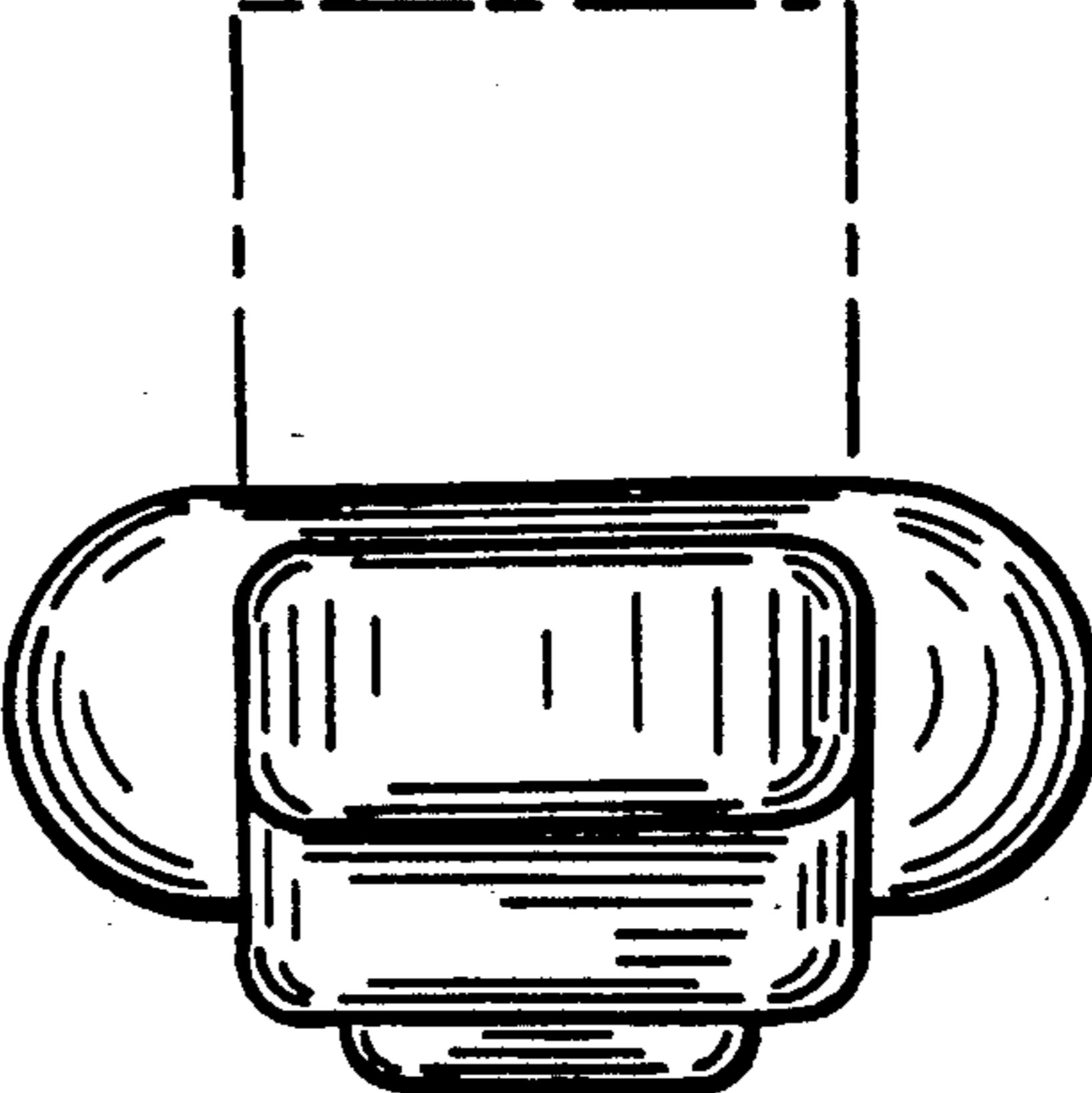
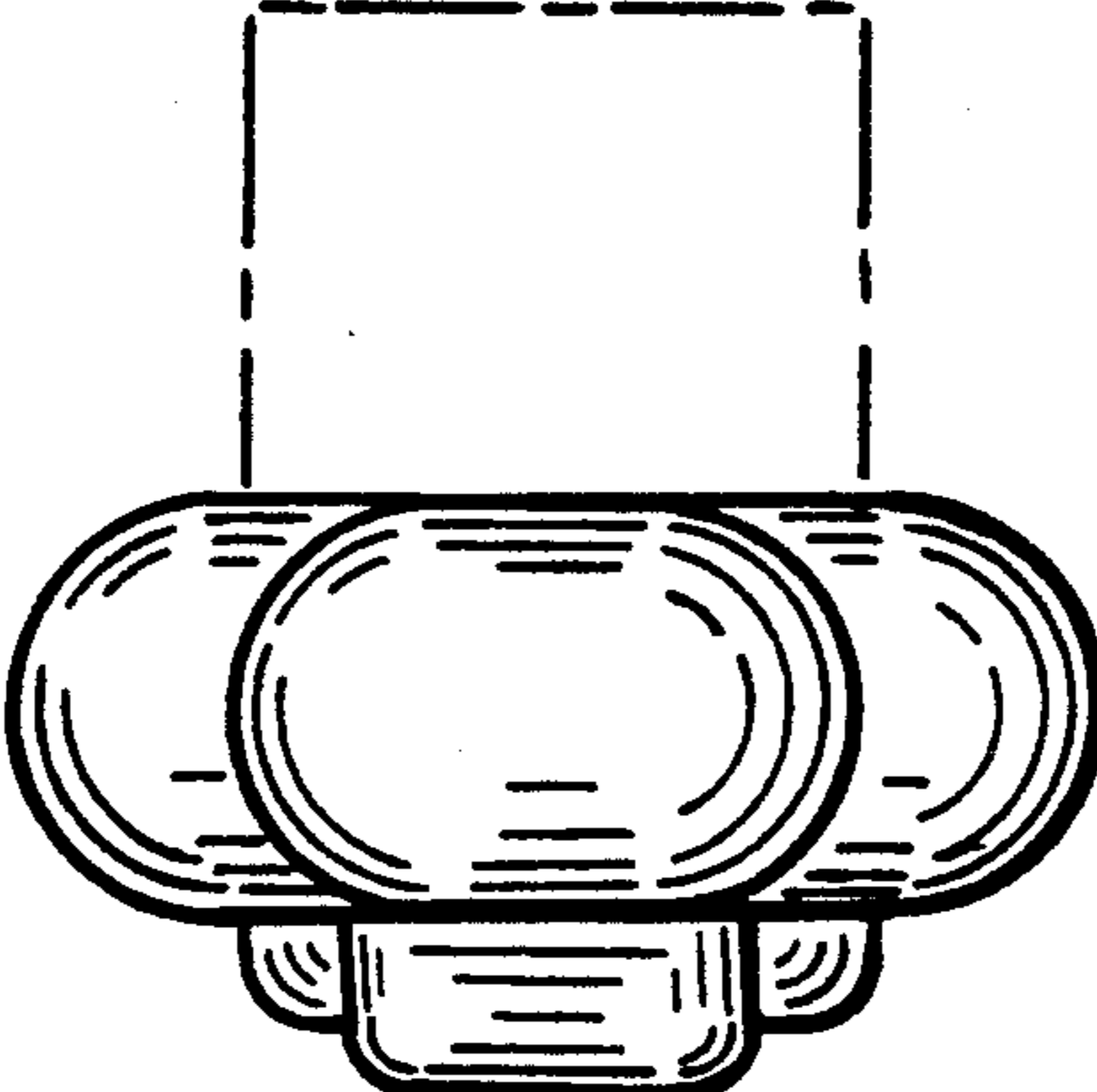


FIG. 6



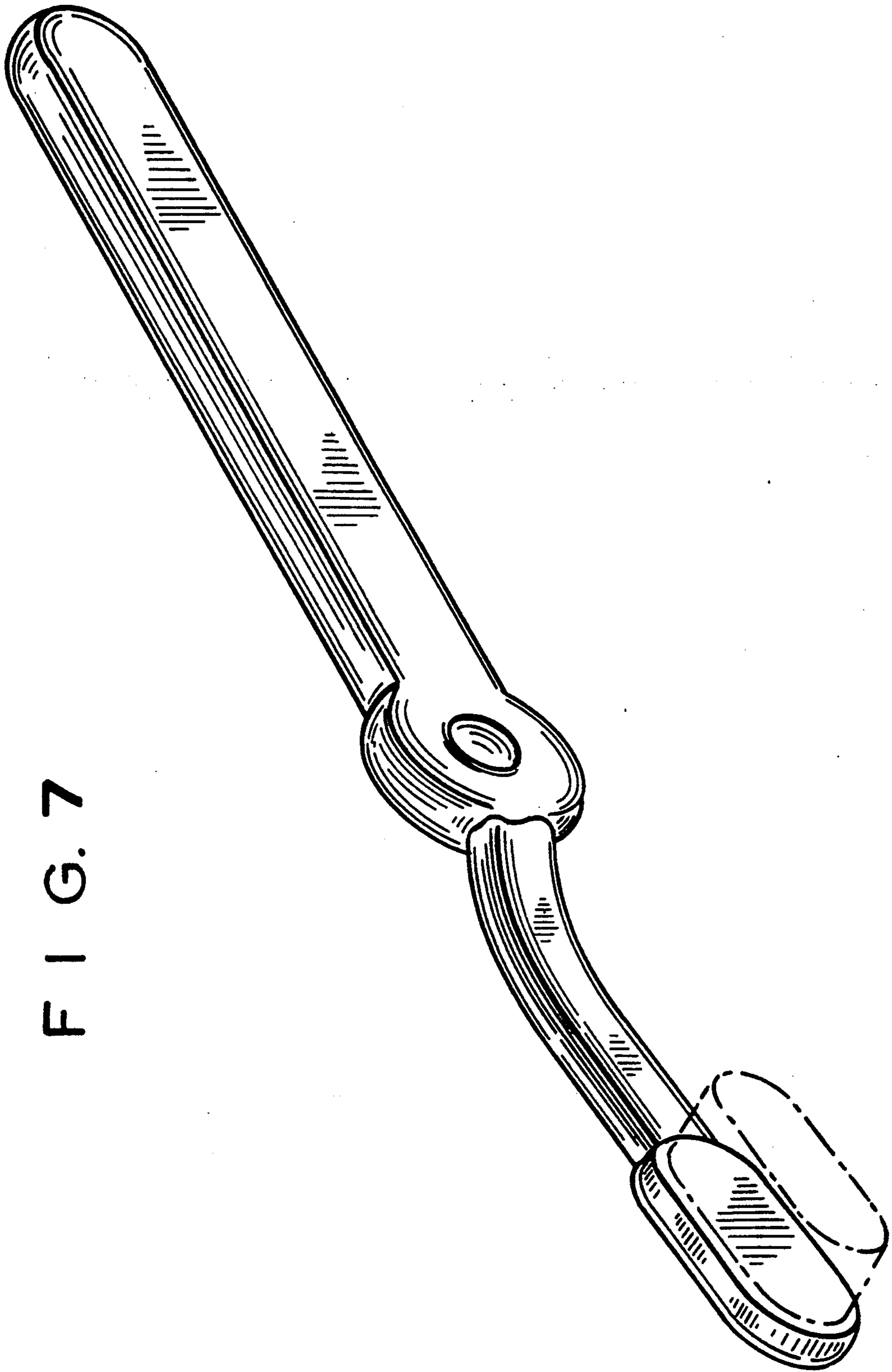


FIG. 7