



US00D334469S

# United States Patent [19]

[11] Patent Number: **Des. 334,469**

Taylor

[45] Date of Patent: **\*\* Apr. 6, 1993**

- [54] **DISKETTE HOLDER**
- [75] Inventor: **Jon B. Taylor, Lawrence, Kans.**
- [73] Assignee: **International Business Machines Corporation, Armonk, N.Y.**
- [\*\*] Term: **14 Years**
- [21] Appl. No.: **775,624**
- [22] Filed: **Oct. 10, 1991**
- [52] U.S. Cl. .... **D3/35; D3/74**
- [58] Field of Search ..... **D3/30.1, 35, 39, 56, D3/59, 60, 71, 74, 79, 100; D19/75, 76, 90, 91; D27/155, 157, 159, 172, 186, 189-191; 206/312, 387, 444, 470; 360/133**

*Assistant Examiner—Celia A. Murphy  
Attorney, Agent, or Firm—Roy W. Truelson*

### [57] CLAIM

The ornamental design for a diskette holder, as shown and described.

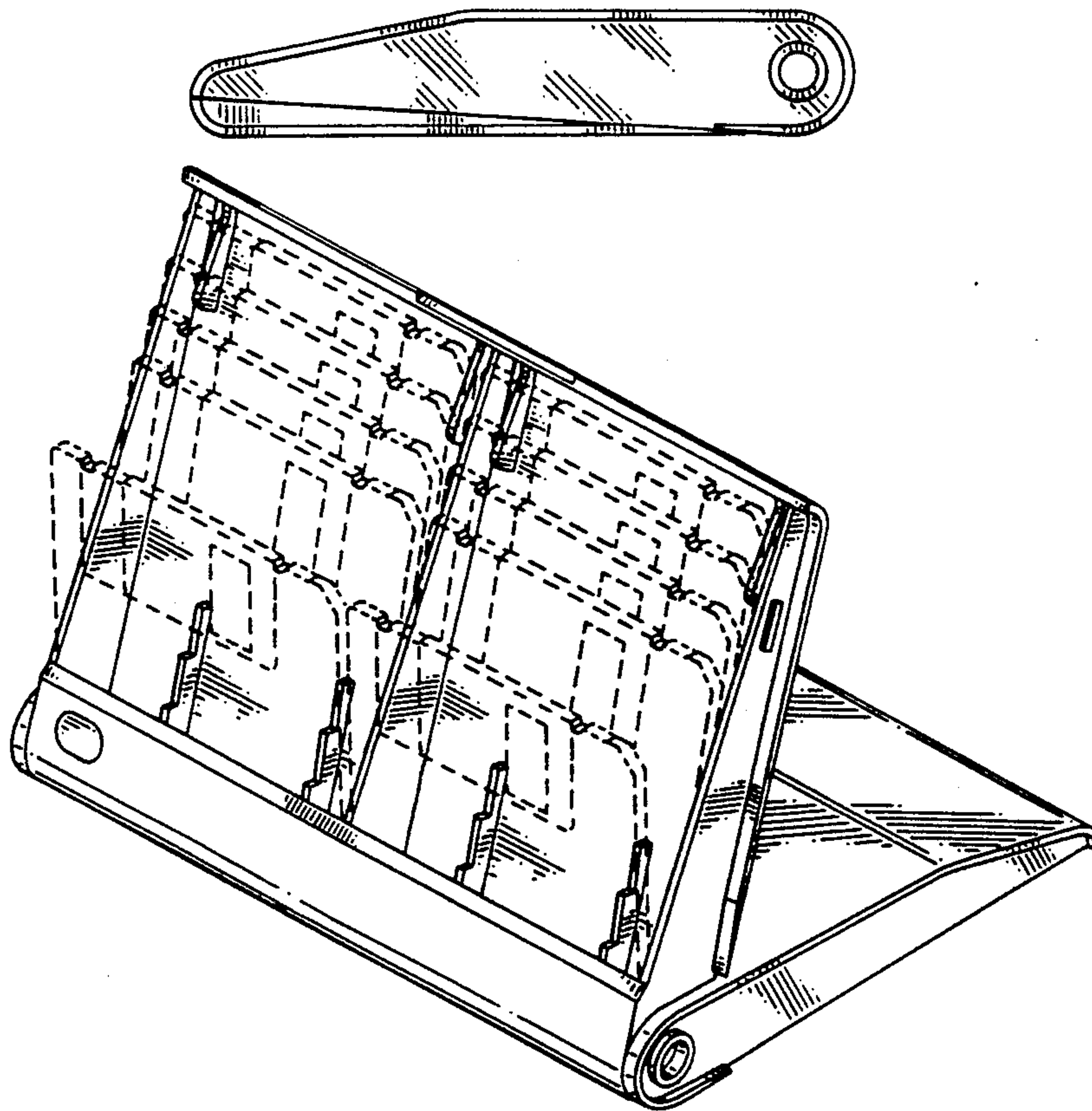
### DESCRIPTION

FIG. 1 is an exploded view of a diskette holder showing my new design;  
 FIG. 2 is a right side elevational view thereof shown as a unit, the left side being a mirror image;  
 FIG. 3 is a rear elevational view of FIG. 2;  
 FIG. 4 is a top plan view of FIG. 2;  
 FIG. 5 is a bottom plan view of FIG. 2;  
 FIG. 6 is a right side elevational view of the base portion shown in FIG. 1, the left side being a mirror image;  
 FIG. 7 is a rear elevational view of FIG. 6;  
 FIG. 8 is a top plan view of FIG. 6;  
 FIG. 9 is a right side elevational view of the cover portion shown in FIG. 1, the left side being a mirror image;  
 FIG. 10 is a rear elevational view of FIG. 9;  
 FIG. 11 is a top plan view of FIG. 9; and,  
 FIG. 12 is a perspective view of a diskette holder showing my new design in the position of use, the broken line showings of multiple diskettes being for illustrative purposes only and forming no part of the claimed design.

[56] **References Cited**  
**U.S. PATENT DOCUMENTS**

D. 224,177	7/1972	Wallace	.....	D3/35
D. 255,038	5/1980	Itakura	.....	D27/189
D. 283,949	5/1986	Kitada	.....	D3/35
D. 287,070	12/1986	Stanbitz et al.	.....	D19/76
D. 288,039	2/1978	LeBlanc	.....	D19/75
D. 301,898	6/1989	Galvez	.....	D19/75
4,676,375	6/1987	Willems et al.	.....	206/444
4,776,457	10/1988	Ferraroni	.....	206/444
4,776,482	10/1988	Walters et al.	.....	206/444

*Primary Examiner—A. Hugo Word*



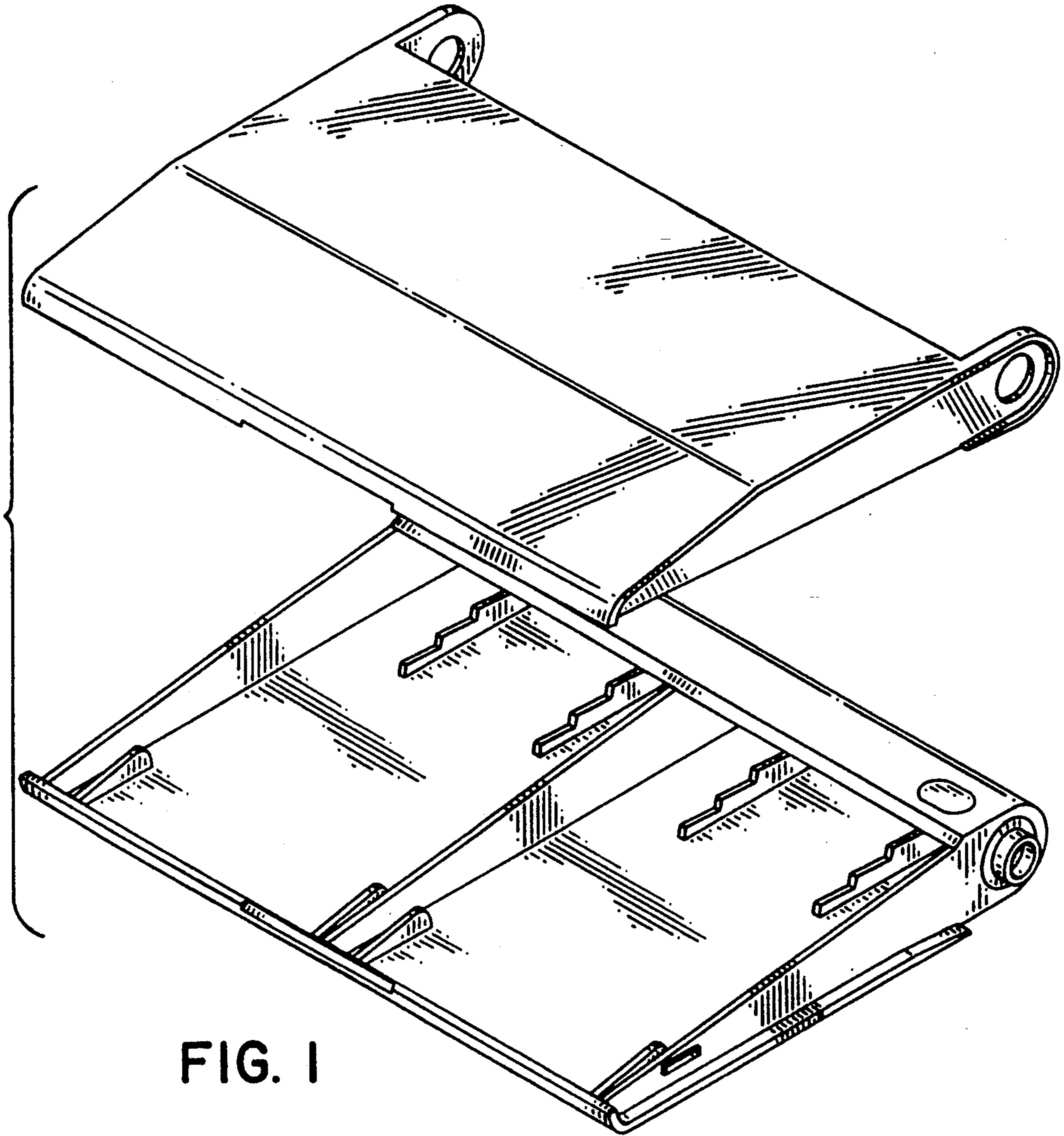


FIG. 1

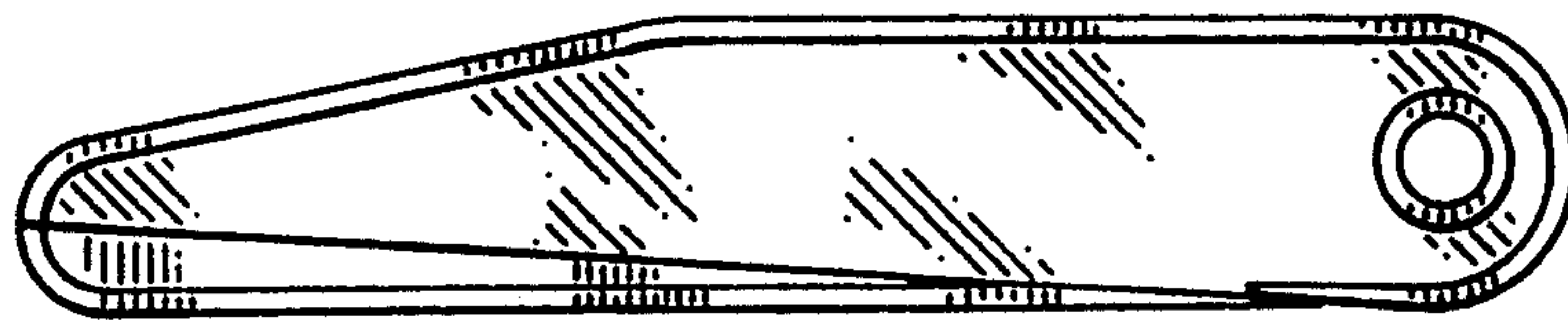


FIG. 2

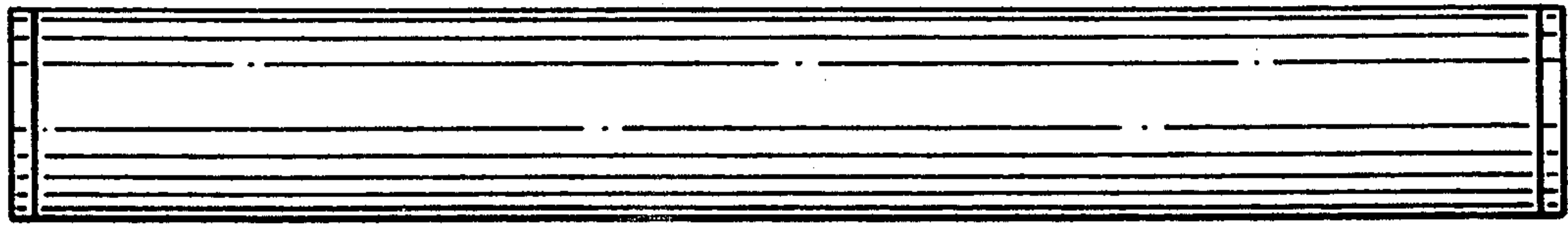


FIG. 3

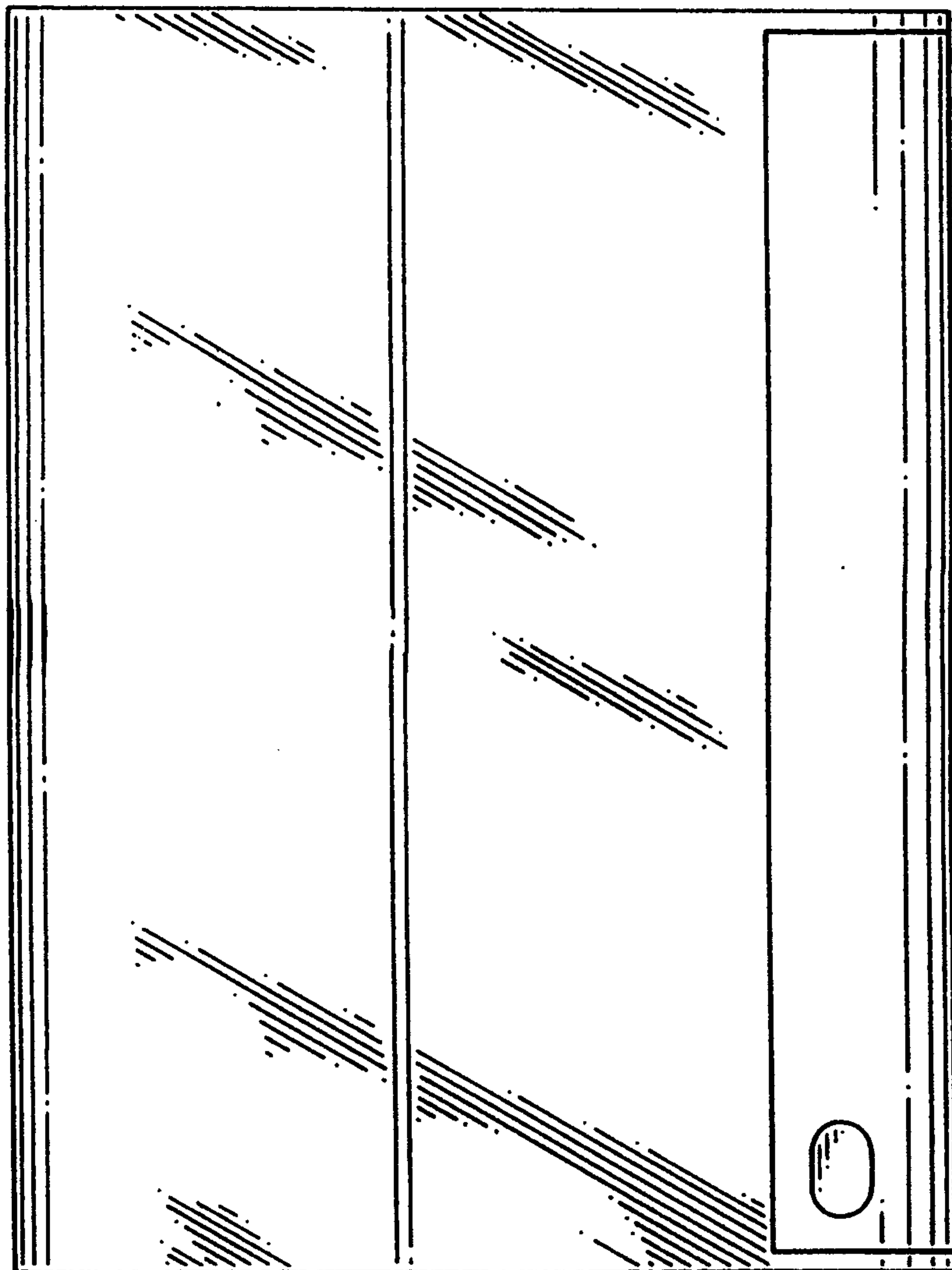


FIG. 4



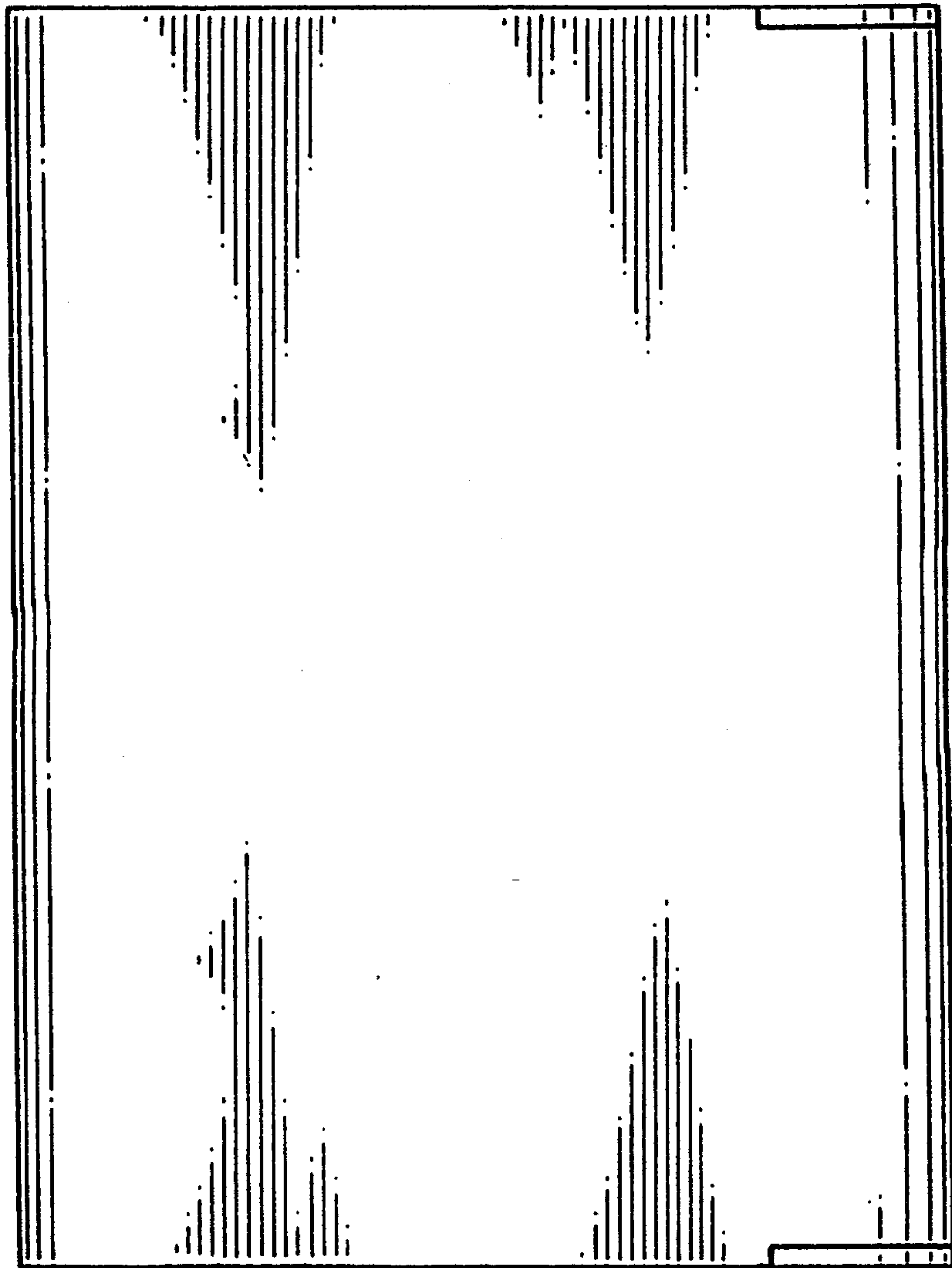


FIG. 5

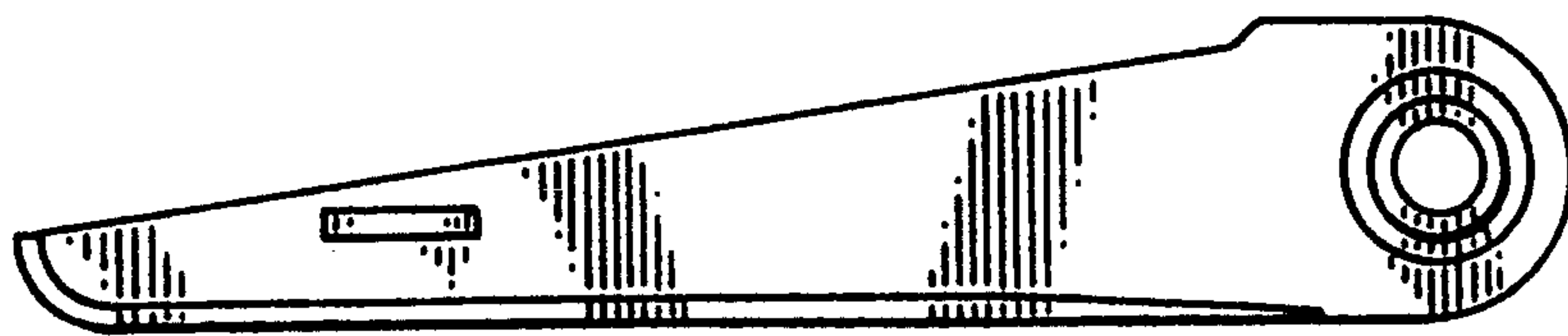


FIG. 6

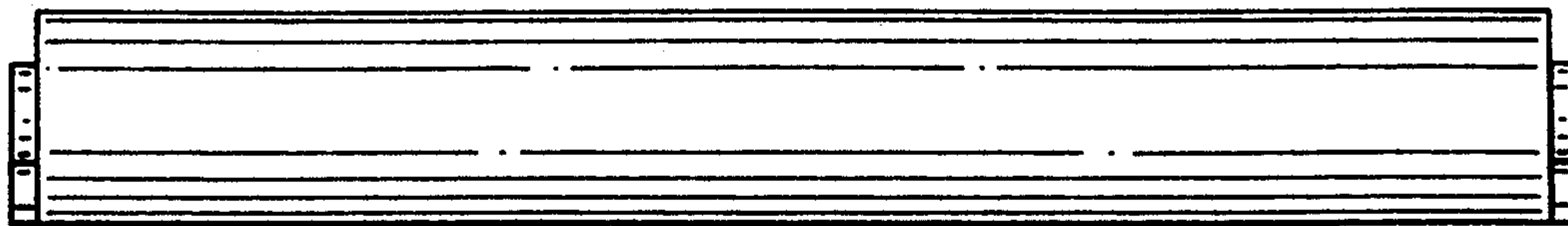


FIG. 7

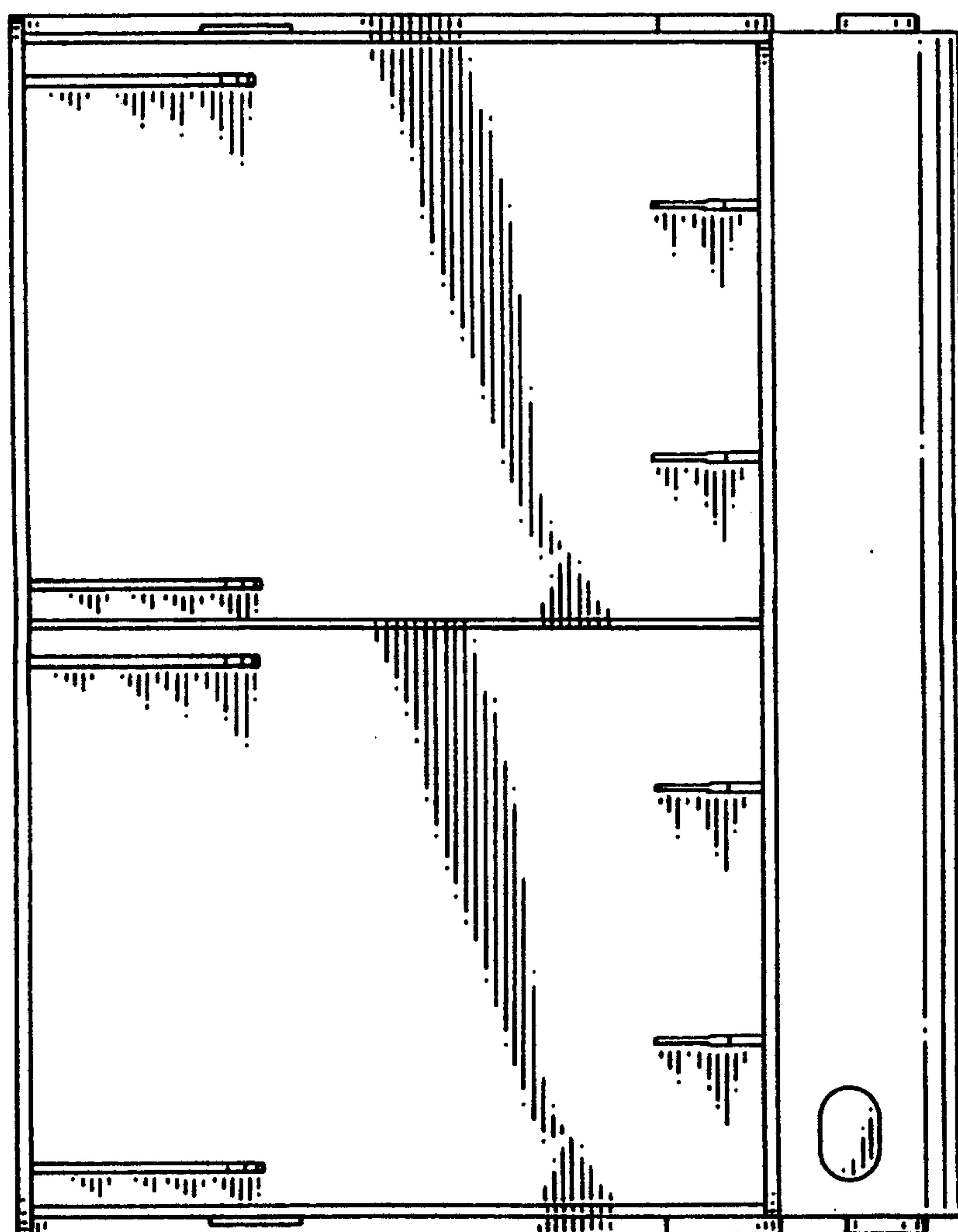


FIG. 8



FIG. 9

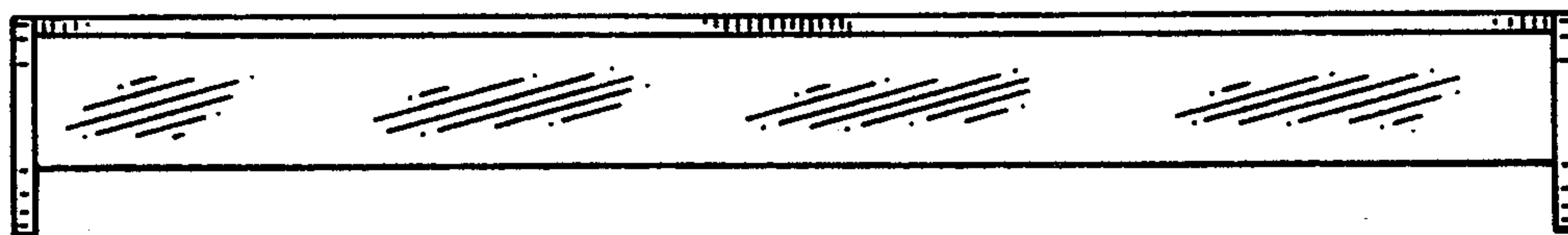


FIG. 10

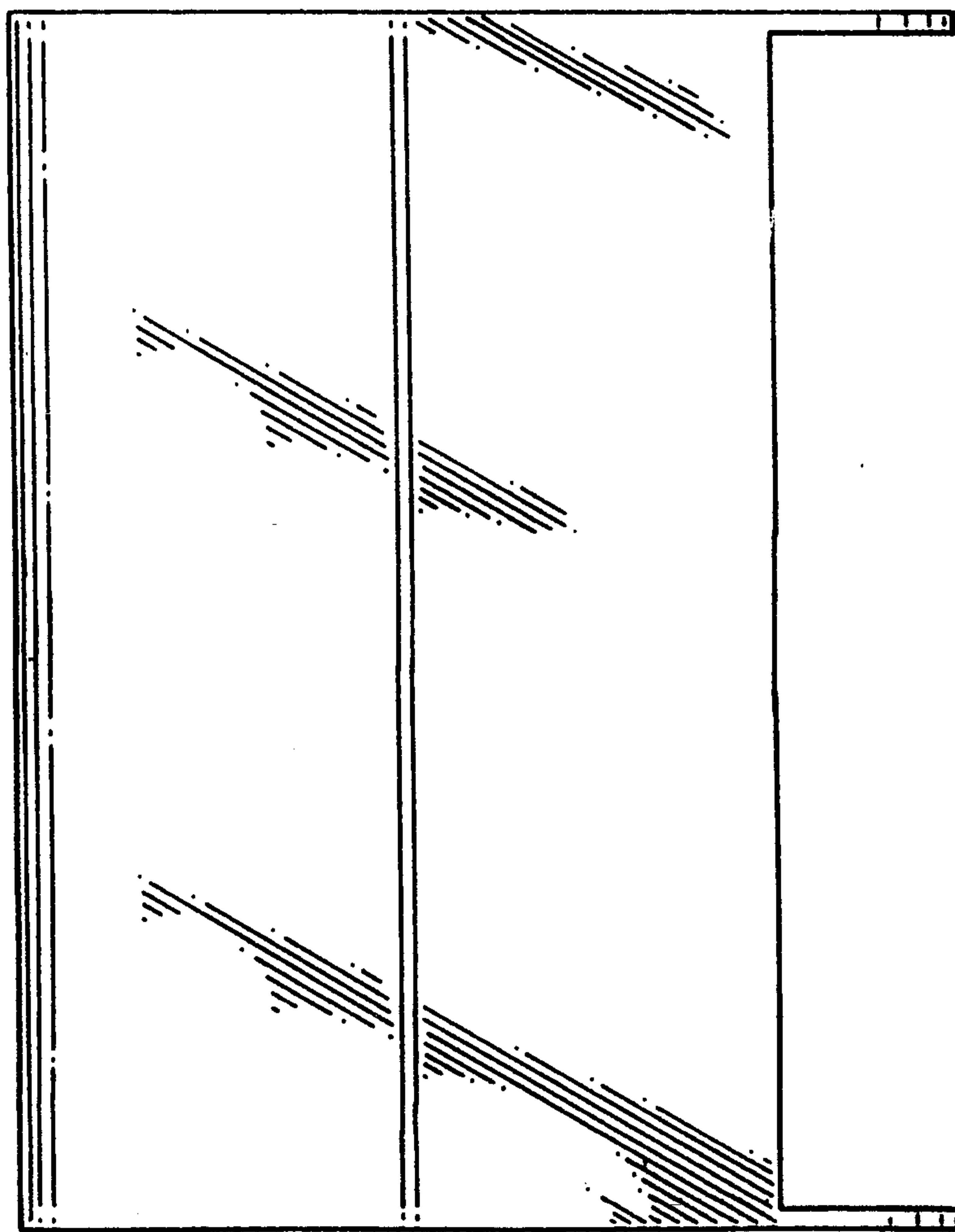


FIG. 11

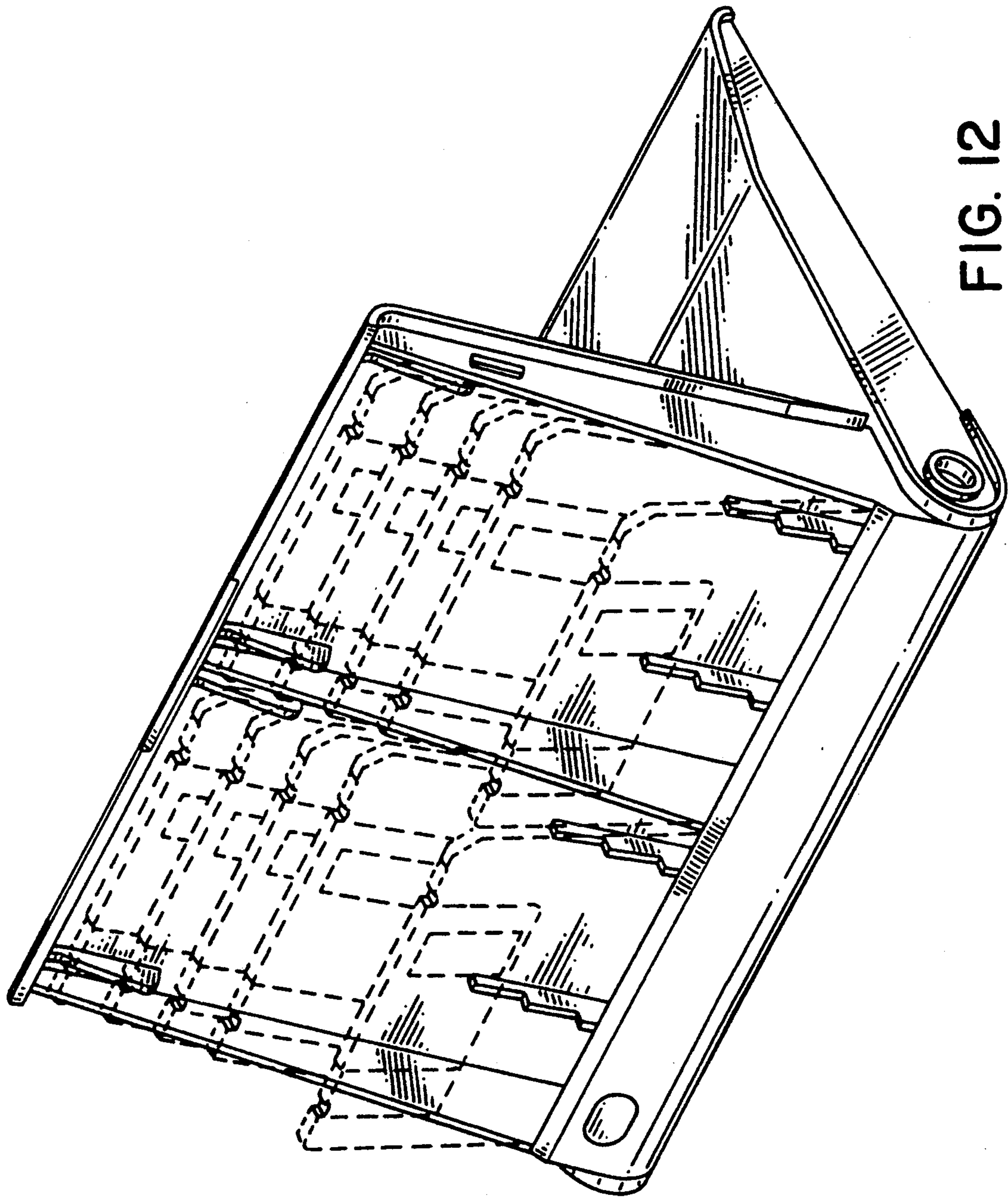


FIG. 12