



US00D334468S

United States Patent [19]

[11] Patent Number: **Des. 334,468**

Hata

[45] Date of Patent: **** Apr. 6, 1993**

[54] **CASE FOR MAGNETIC TAPE CASSETTE**

[75] Inventor: **Masayuki Hata, Tokyo, Japan**

[73] Assignee: **Sony Corporation, Tokyo, Japan**

[**] Term: **14 Years**

[21] Appl. No.: **727,526**

[22] Filed: **Jul. 9, 1991**

[30] **Foreign Application Priority Data**

Jan. 24, 1991 [JP] Japan 3-1344

[52] U.S. Cl. **D3/35; D3/30.1**

[58] Field of Search **D3/30.1, 35, 39, 56, D3/59, 60, 71, 79, 100; 206/349, 387, 444; 360/133**

[56] **References Cited**

U.S. PATENT DOCUMENTS

- D. 192,960 6/1962 Buderman D3/30.1
- D. 271,349 11/1983 Thiele D3/35
- D. 288,983 3/1987 Juhas et al. D3/35

- D. 294,776 3/1988 Gander D3/73
- 4,102,452 7/1978 Sato et al. 206/387
- 4,676,000 6/1987 Lee 206/387
- 4,676,375 6/1987 Willems et al. 206/444

Primary Examiner—A. Hugo Word
Assistant Examiner—Celia A. Murphy
Attorney, Agent, or Firm—Lewis H. Eslinger; Jay H. Maioli

[57] CLAIM

The ornamental design for a case for magnetic tape cassette, as shown and described.

DESCRIPTION

FIG. 1 is a top plan view of a case for a magnetic tape cassette showing my new design;
 FIG. 2 is a right side elevational view thereof, the left side being a mirror image;
 FIG. 3 is a bottom plan view thereof;
 FIG. 4 is a rear elevational view thereof;
 FIG. 5 is a front elevational view thereof; and,
 FIG. 6 is a perspective view thereof.

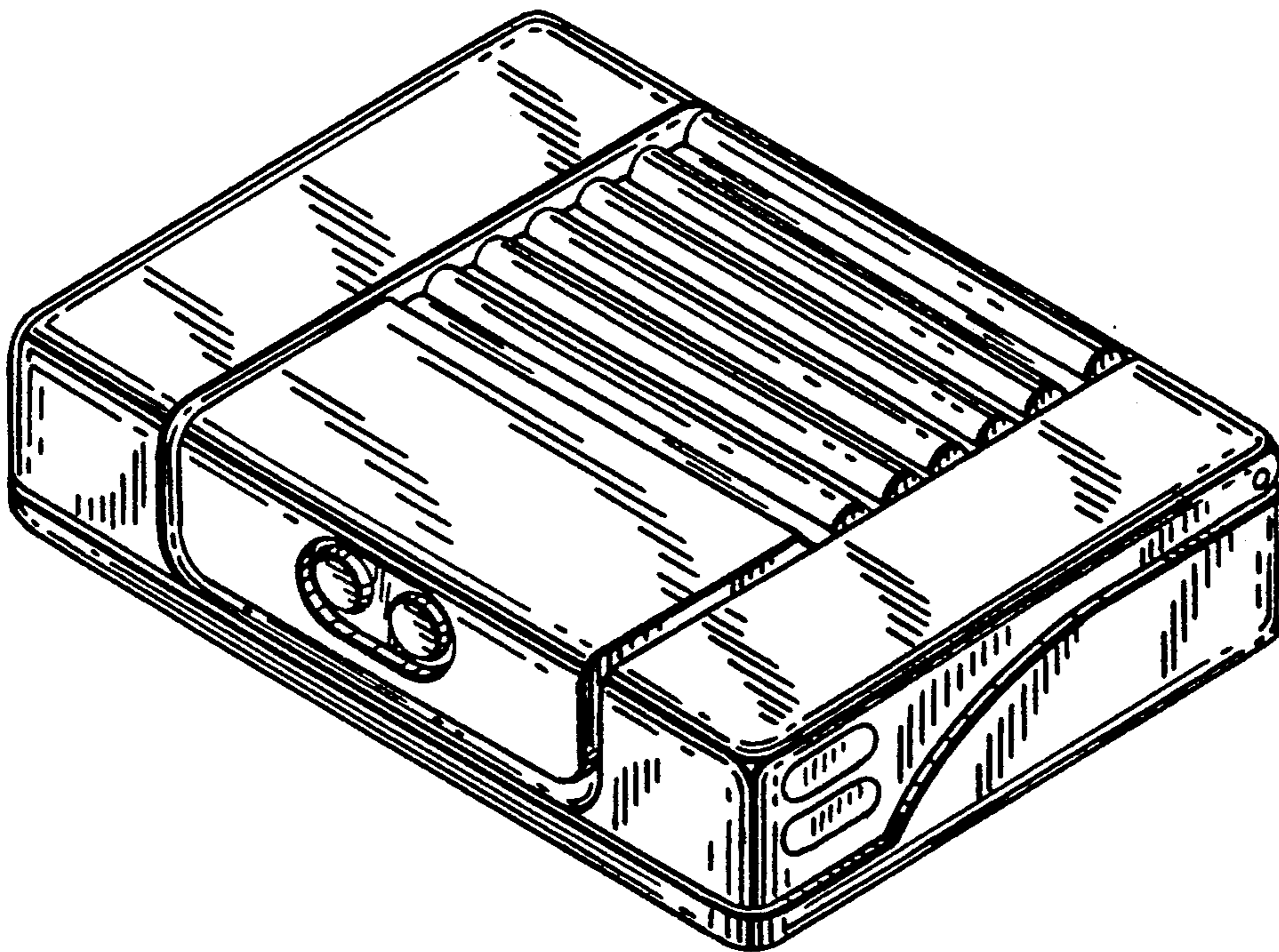


FIG. 1

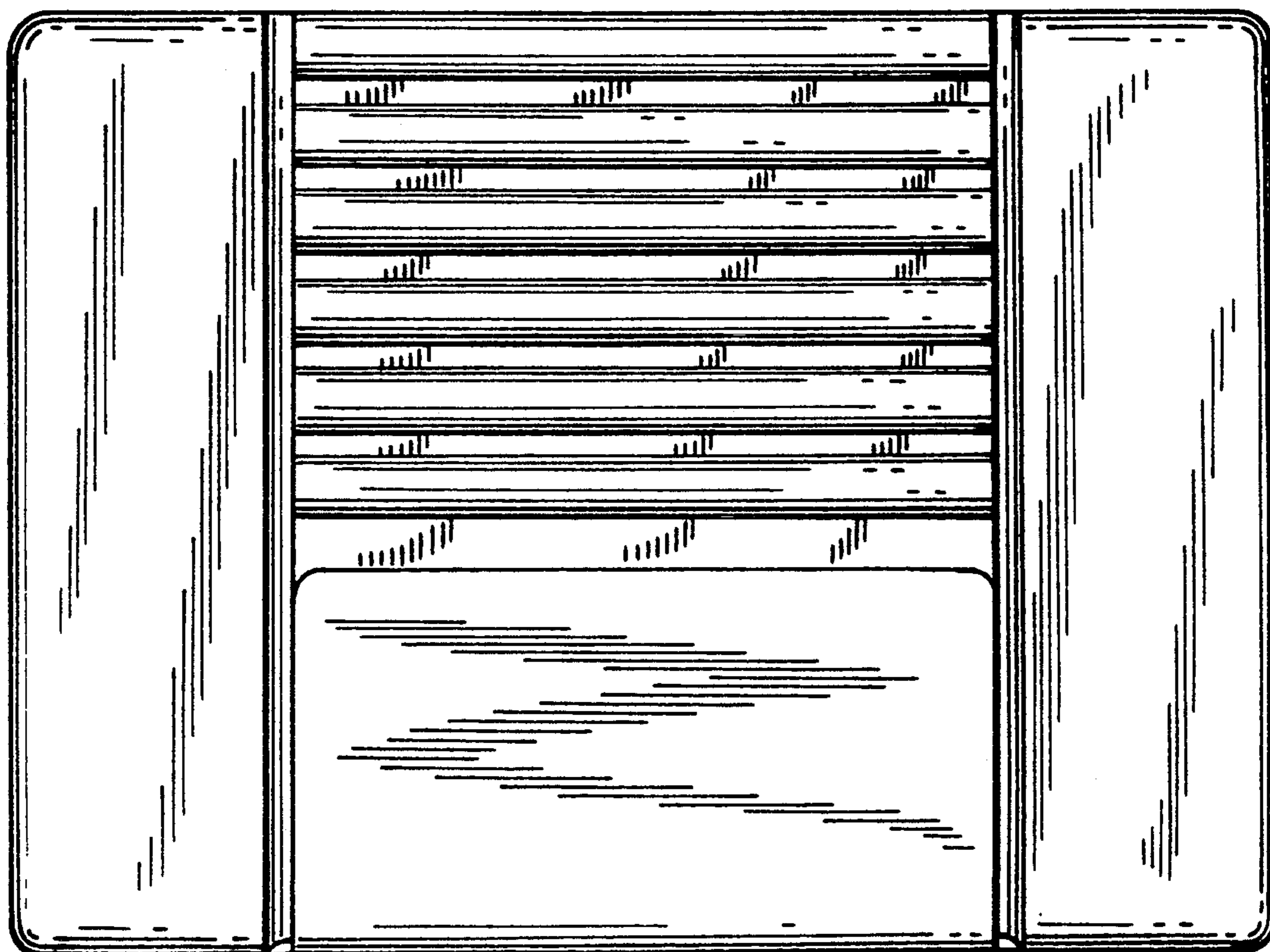


FIG. 4

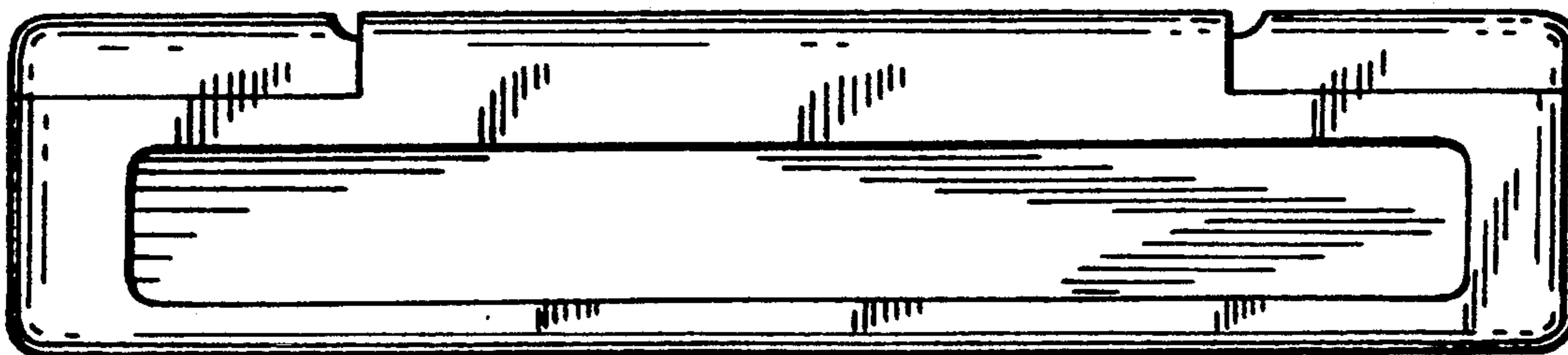


FIG. 2

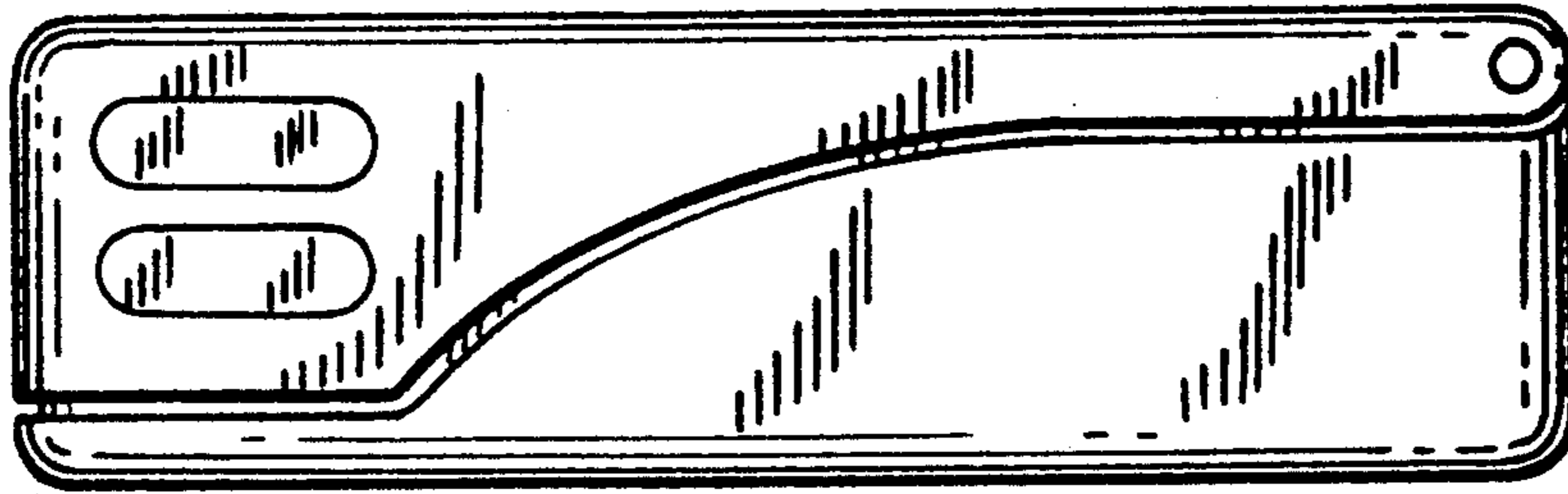


FIG. 6

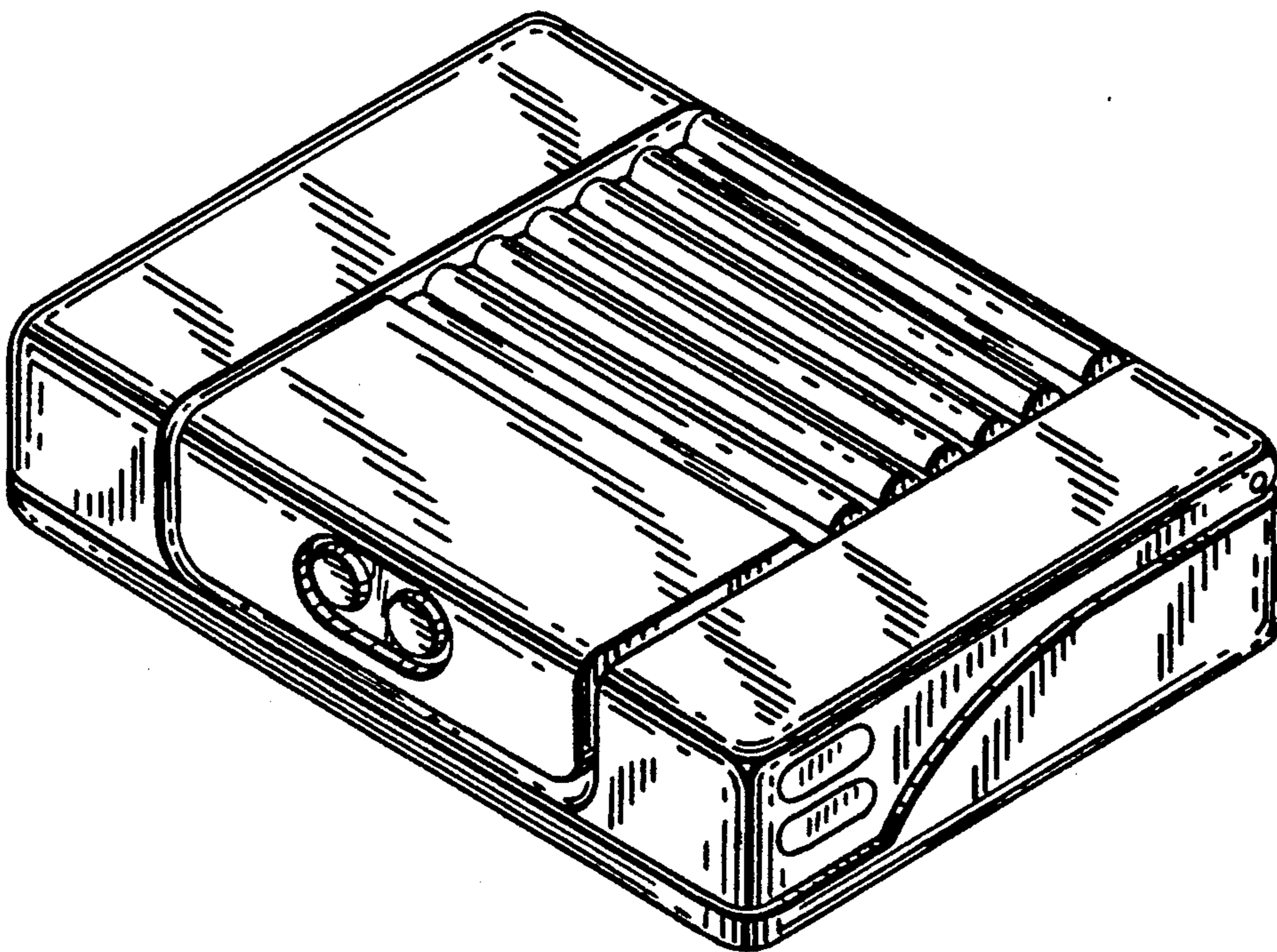


FIG. 3

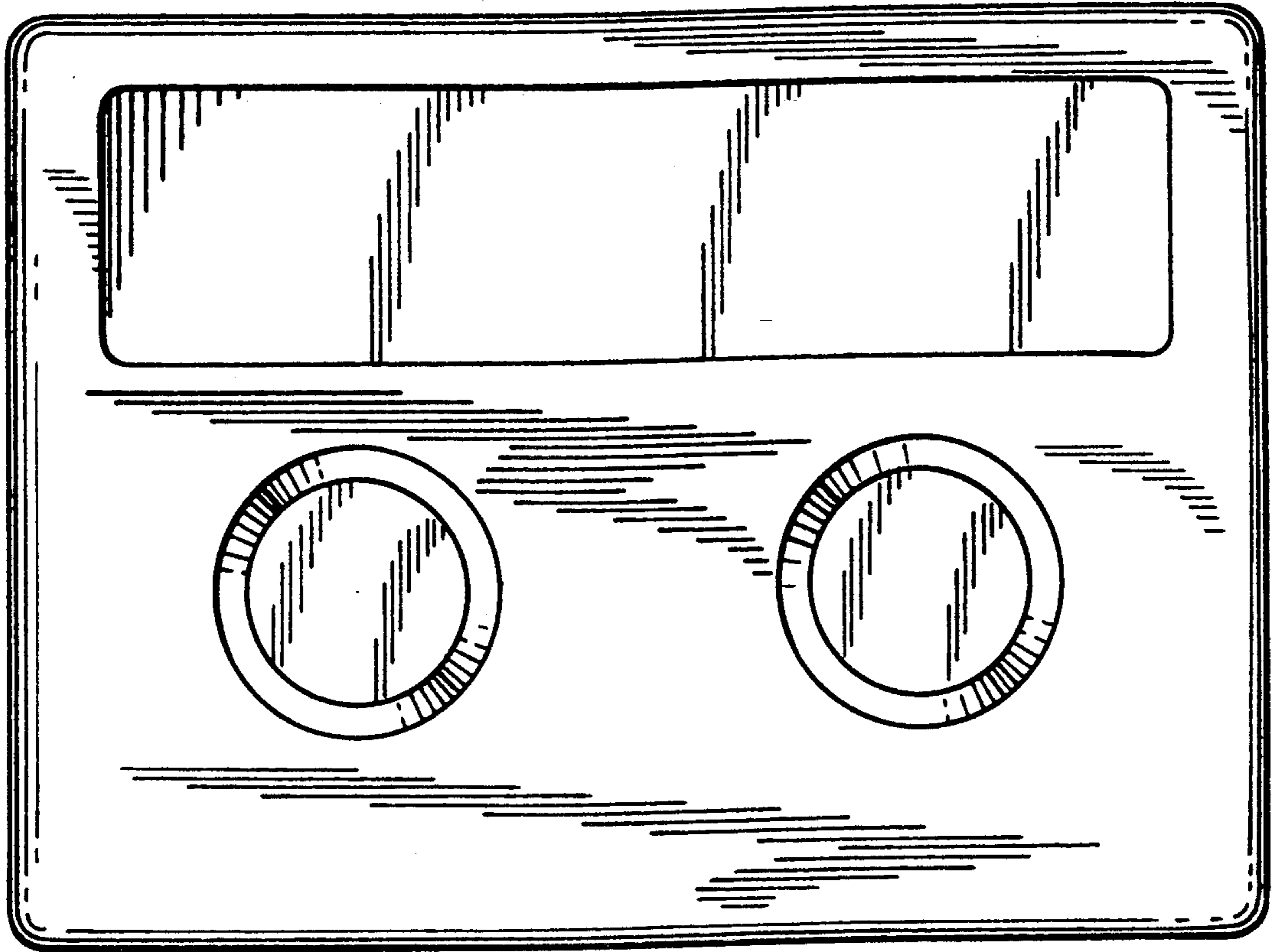


FIG. 5

