



US00D334466S

United States Patent [19]

Oudemans

[11] Patent Number: **Des. 334,466**

[45] Date of Patent: **** Apr. 6, 1993**

[54] SPECTACLE CASE

[76] Inventor: **Melanie Oudemans**, Regelrecht Consultants, P.O. Box 3616, 1001 AK Amsterdam, Netherlands

[**] Term: **14 Years**

[21] Appl. No.: **605,011**

[22] Filed: **Oct. 26, 1990**

[30] **Foreign Application Priority Data**

May 7, 1990 [XH] Hague 200 71-00

[52] U.S. Cl. **D3/34**

[58] Field of Search D3/30.1, 34, 41, 45, D3/52, 62, 74, 79, 100, 102; D16/129; 134/901; 206/5 R, 5.1

[56] **References Cited**

U.S. PATENT DOCUMENTS

D. 118,934 2/1940 Goldin D3/34

Primary Examiner—A. Hugo Word
Assistant Examiner—Celia A. Murphy
Attorney, Agent, or Firm—Merchant, Gould, Smith, Edell, Welter & Schmidt

[57] **CLAIM**

The ornamental design for a spectacle case, as shown and described.

DESCRIPTION

FIG. 1 is a perspective view of a spectacle case showing my new design, the rear and side elevational views which are not shown being identical to the front and side which are shown;

FIG. 2 is a top plan view thereof, the bottom being plain and unadorned; and,

FIG. 3 is a perspective view thereof shown in a collapsed state.

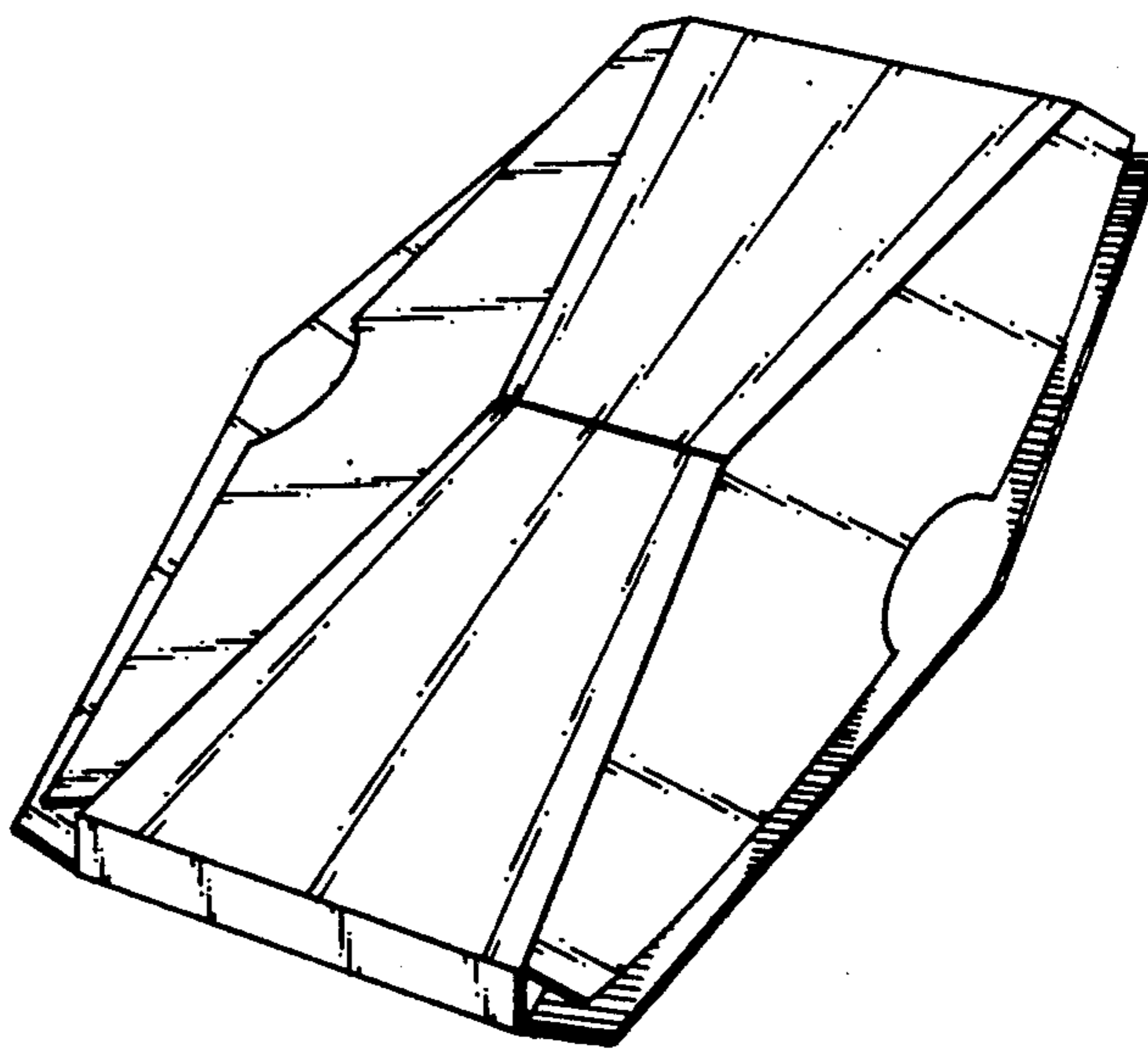
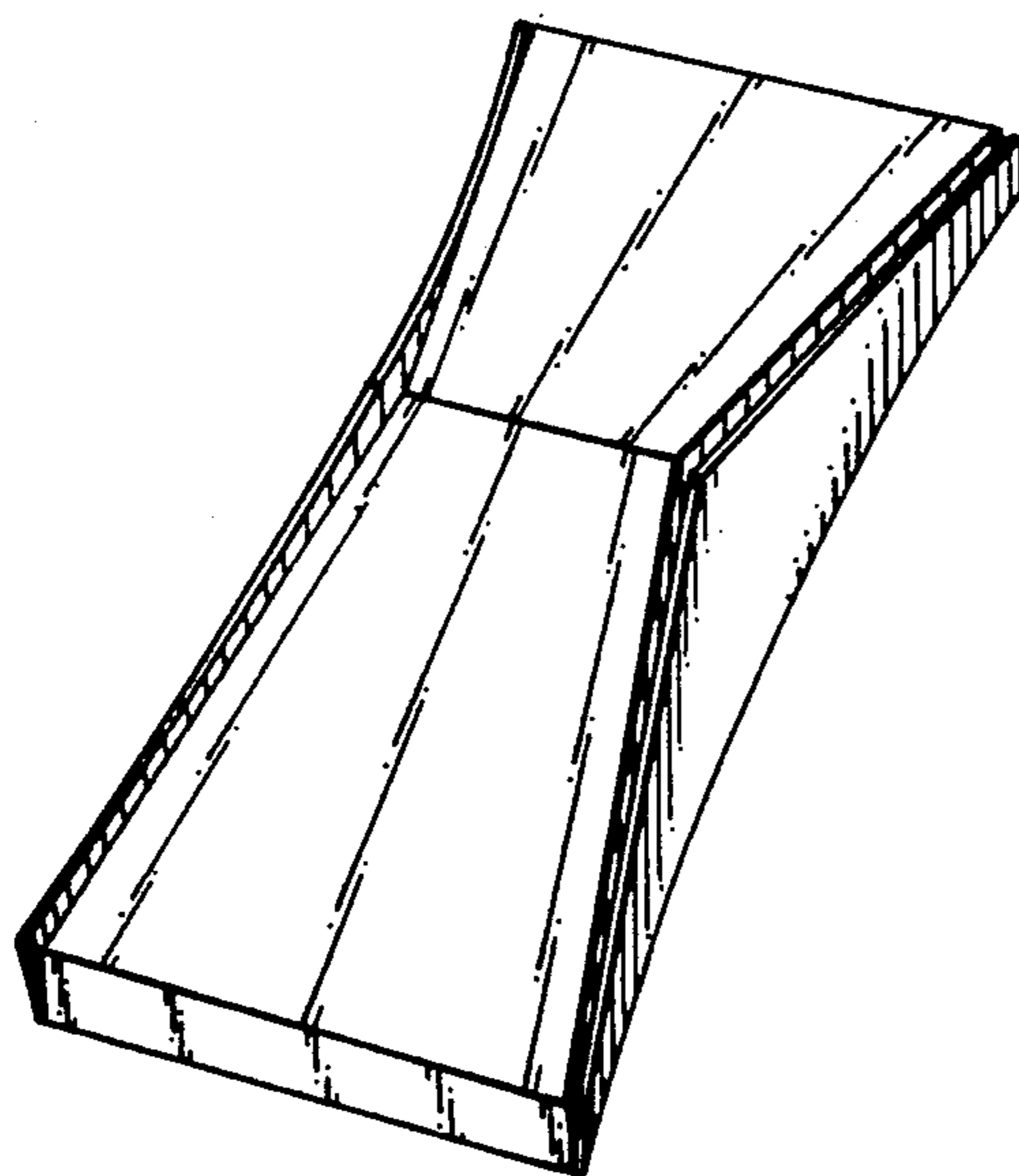


FIG. 1

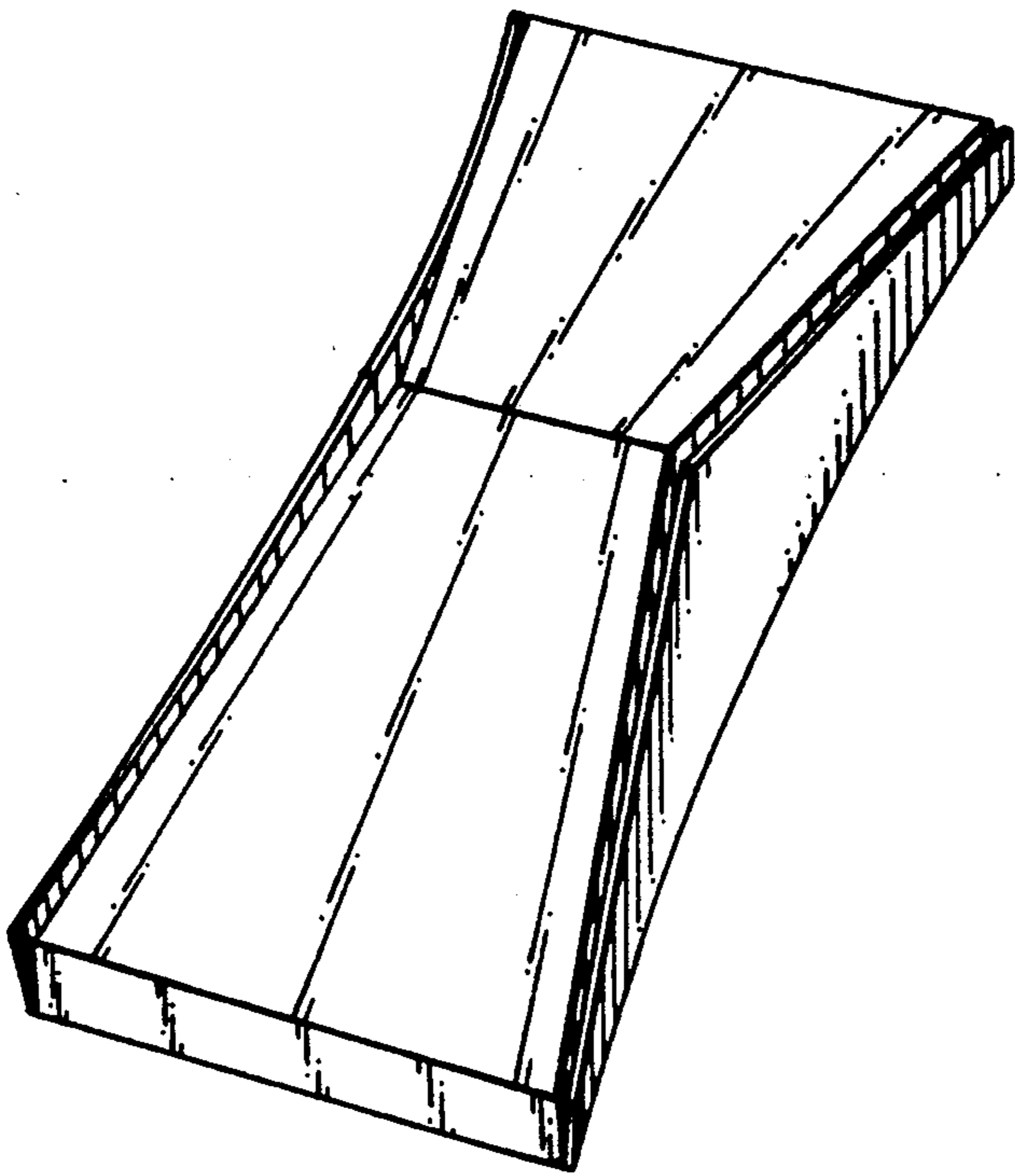


FIG. 2

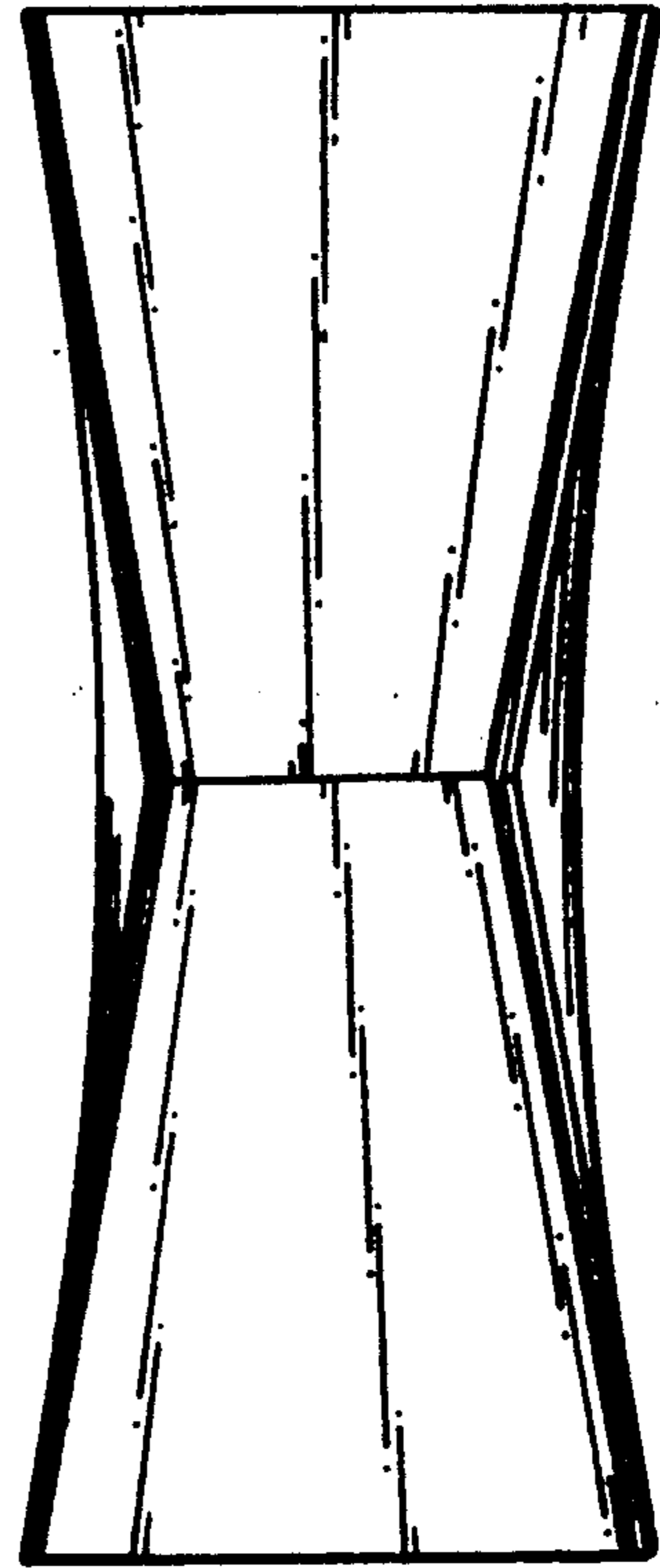


FIG. 3

