



US00D334453S

United States Patent [19]
Koloski

[11] **Patent Number: Des. 334,453**
[45] **Date of Patent: ** Mar. 30, 1993**

[54] **LID AND DOOR UNIT FOR STORAGE CONTAINER**
[75] **Inventor: Peter A. Koloski, Columbus, Ohio**
[73] **Assignee: Rubbermaid Incorporated, Wooster, Ohio**
[**] **Term: 14 Years**
[21] **Appl. No.: 654,908**
[22] **Filed: Feb. 13, 1991**
[52] **U.S. Cl. D34/40; D9/435; D9/499; D9/424**
[58] **Field of Search D3/78, 30.1, 76, 74, D3/73, 72, 70, 40, 38, 39, 99; D9/423, 424, 425, 435, 499; D34/1, 4, 7, 40, 46; D7/609, 612, 328; 206/499, 503, 508, 515, 518, 501; 220/1.5, 4 C, 23.6, 23.8, 6, 7, 666, 667, 661, 669**

4,389,078 6/1983 Streit .
4,660,725 4/1987 Fishman et al. .
4,887,874 12/1989 Joffe 220/7 X
5,038,937 8/1991 DiSesa 206/501
5,065,887 11/1991 Schuh et al. D34/7 X

OTHER PUBLICATIONS

Pp. 28 and 29, Rubbermaid Incorporated, 1147 Akron Road, Wooster, Ohio 44691 Publication date 1988.
P. 6, Rubbermaid Commercial Products Inc., 3124 Valley Avenue, Winchester, Va. 22601 Publication date 1989.

Primary Examiner—A. Hugo Word
Assistant Examiner—Paula A. Mortimer
Attorney, Agent, or Firm—Richard B. O'Planick

[56] **References Cited**
U.S. PATENT DOCUMENTS

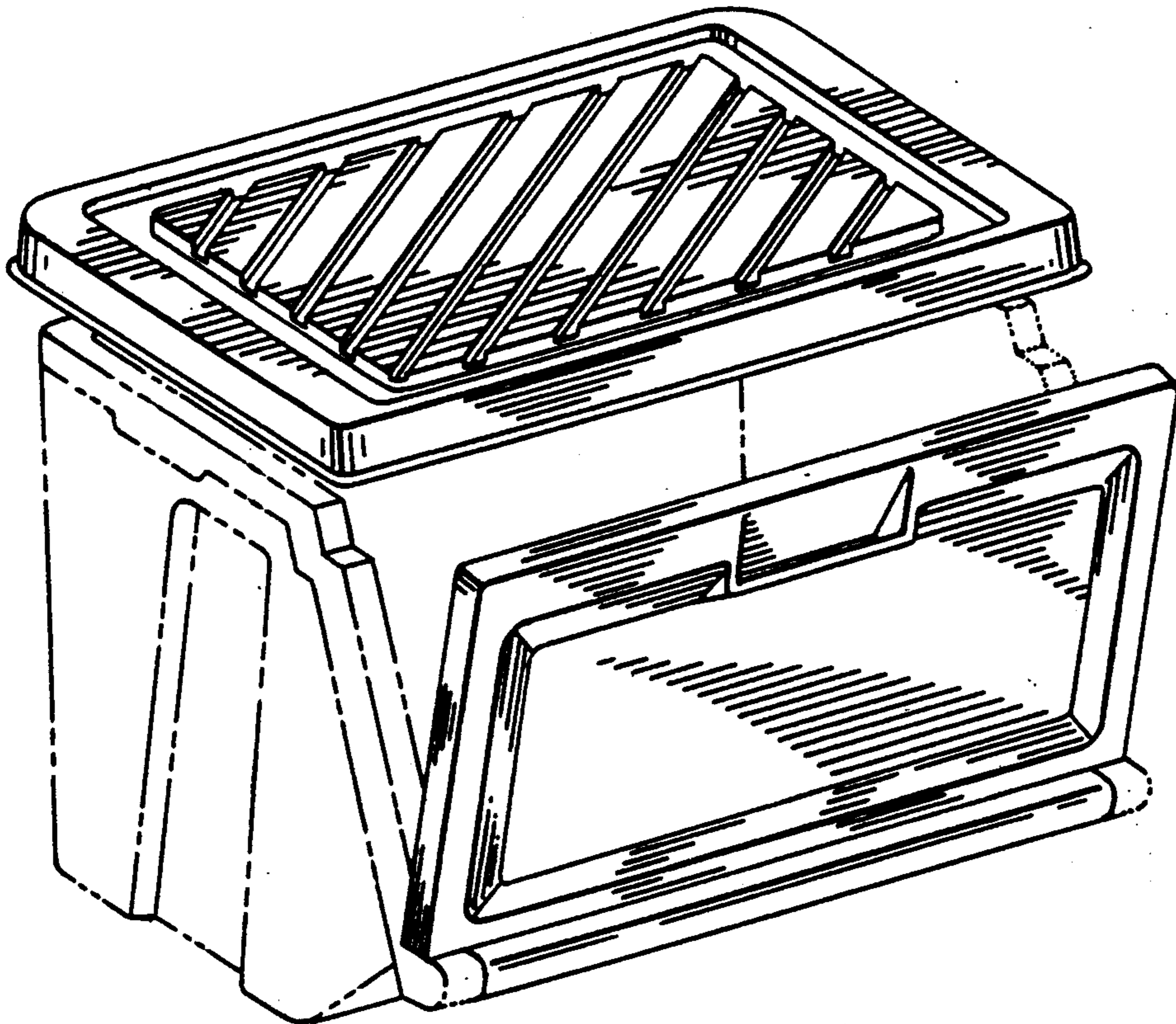
D. 235,195 5/1975 Savey, Jr. et al. D3/78
D. 246,872 1/1978 White D9/424
D. 302,774 8/1989 Murphy .
D. 319,016 8/1991 Kahl D9/424
D. 319,904 9/1991 Cozzi et al. D34/1
D. 326,775 6/1992 Skillius D3/74
D. 328,818 8/1992 Hanna et al. D3/78
D. 328,819 8/1992 Hanna et al. D3/78
4,062,467 12/1977 Friedrich 220/7 X
4,322,118 3/1982 Shugart .

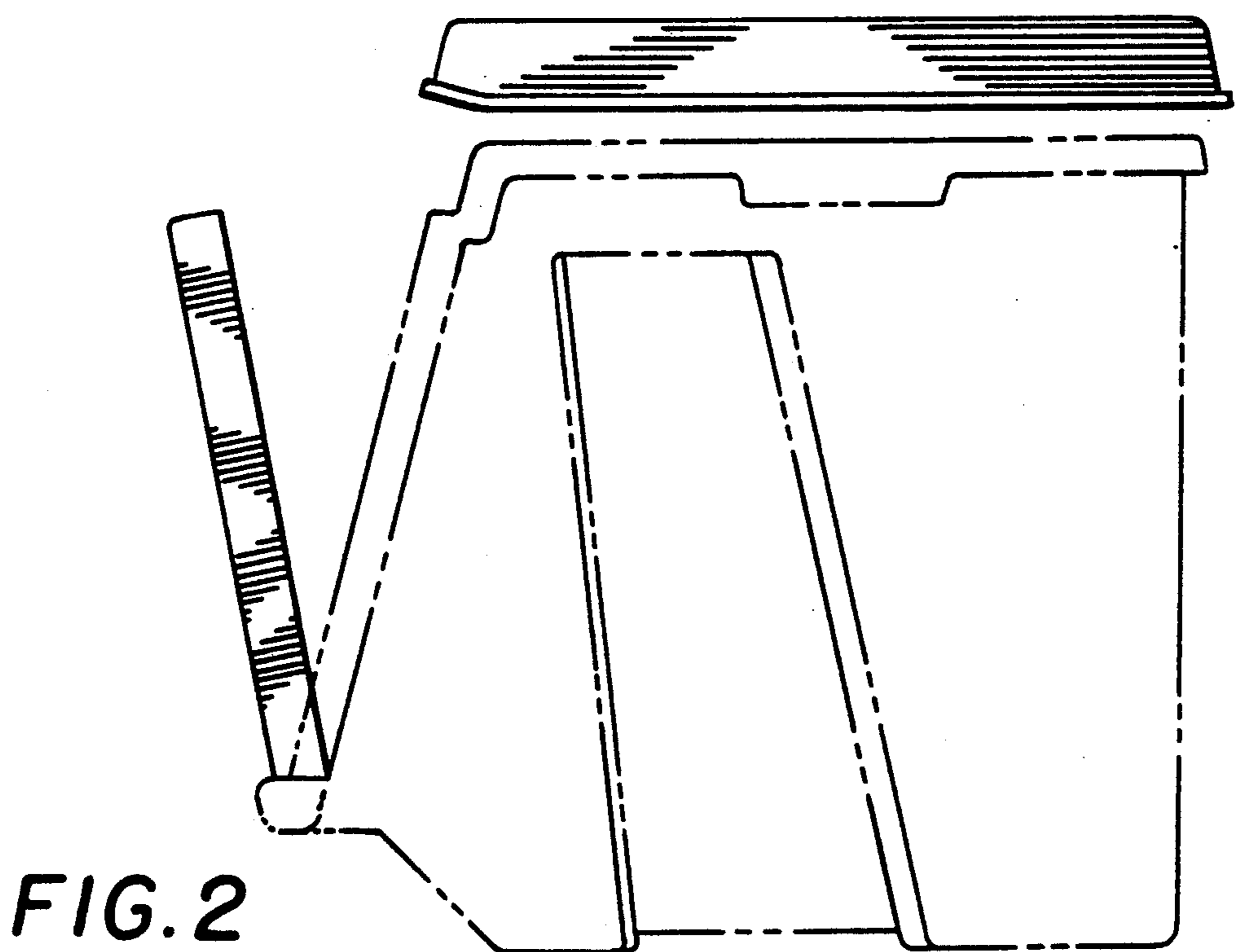
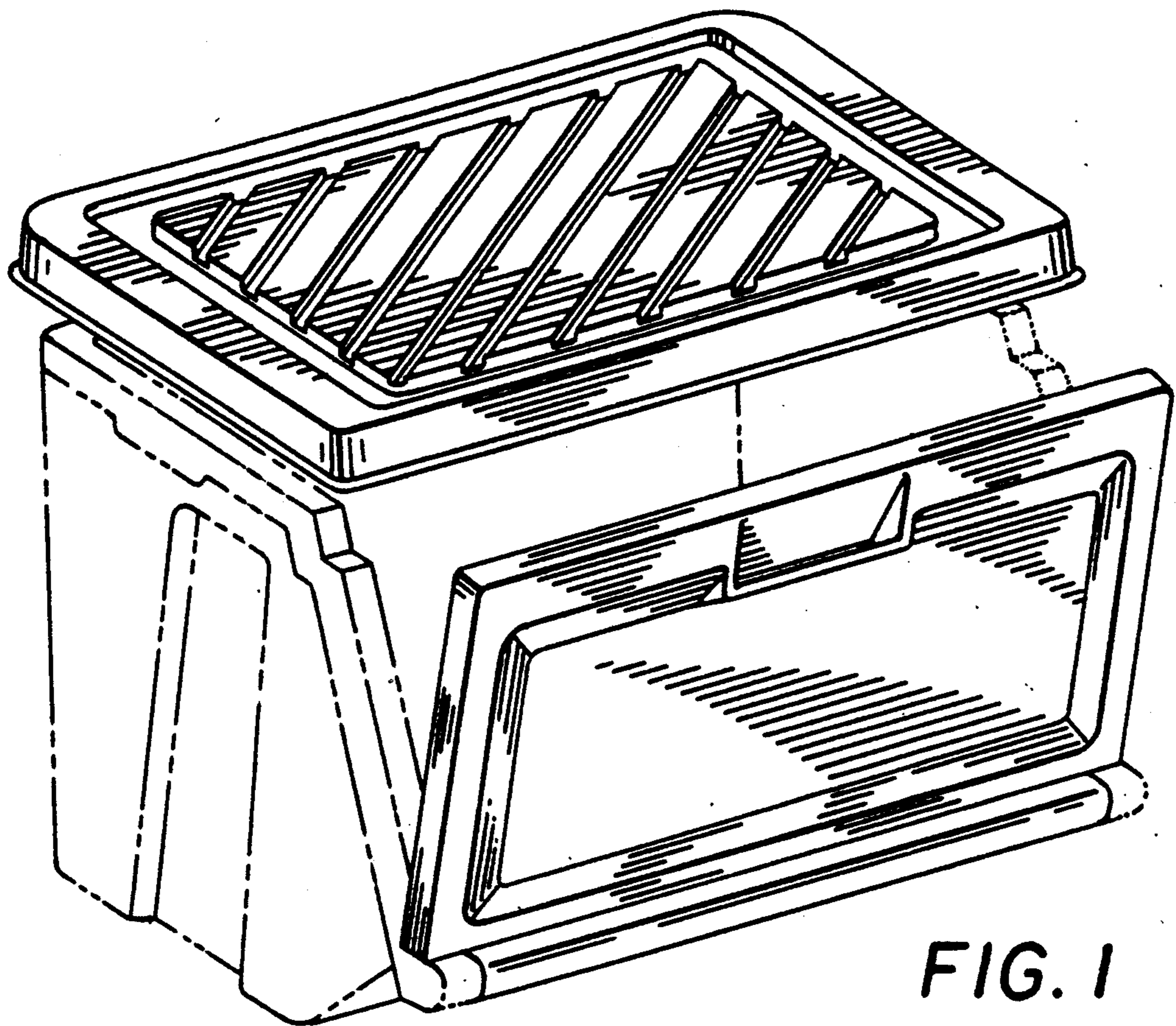
[57] **CLAIM**

The ornamental design for a lid and door unit for storage container, as shown and described.

DESCRIPTION

FIG. 1 is a left front perspective view of a lid and door unit for a storage container showing my new design, the broken line showing of the container is for illustrative purposes only and forms no part of the claimed design; FIG. 2 is a right side elevational view thereof; the left side being a mirror image; FIG. 3 is a front elevational view thereof; FIG. 4 is a rear elevational view thereof; FIG. 5 is a top plan view thereof; and, FIG. 6 is a bottom plan view thereof.





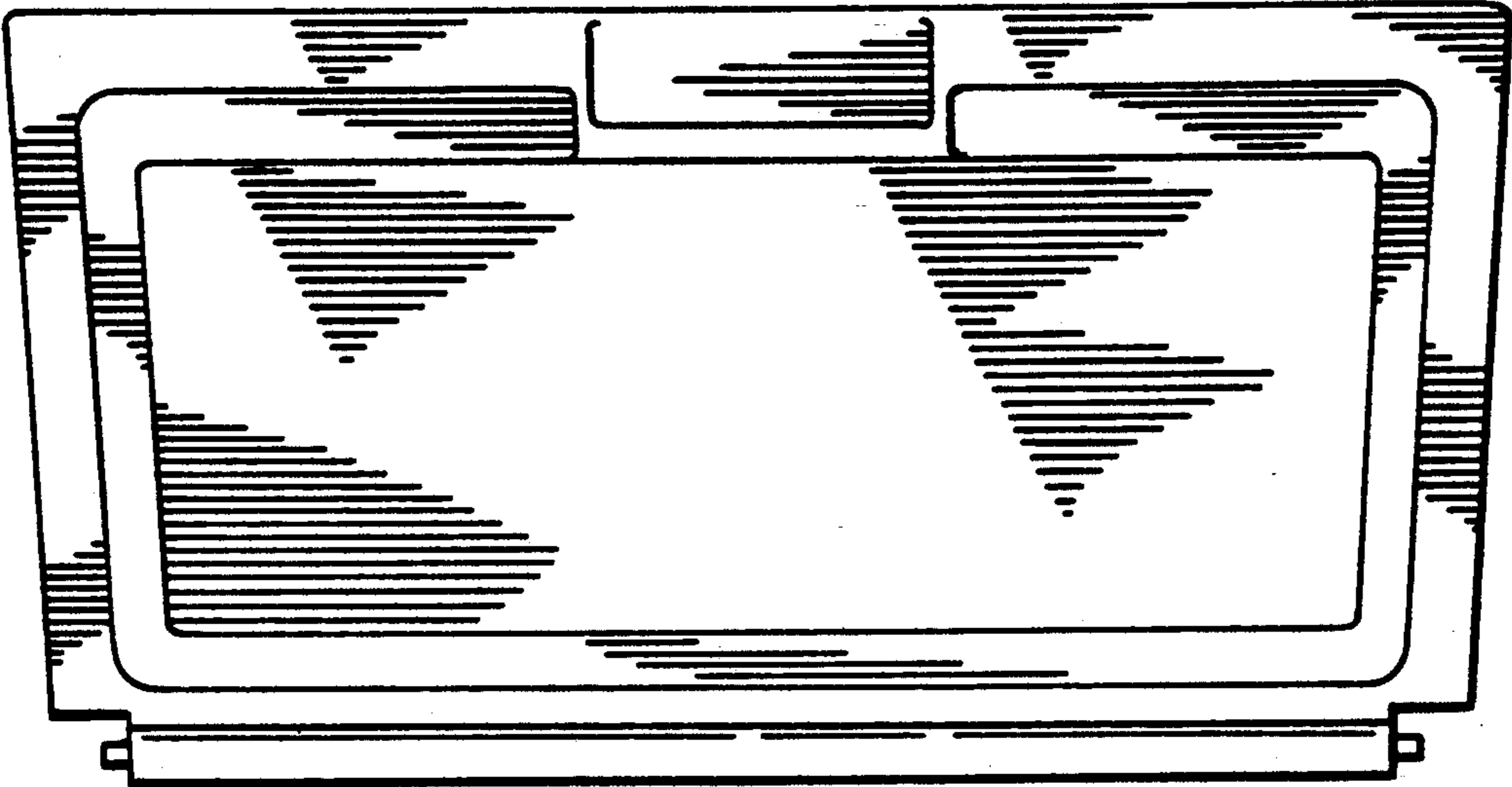


FIG. 3

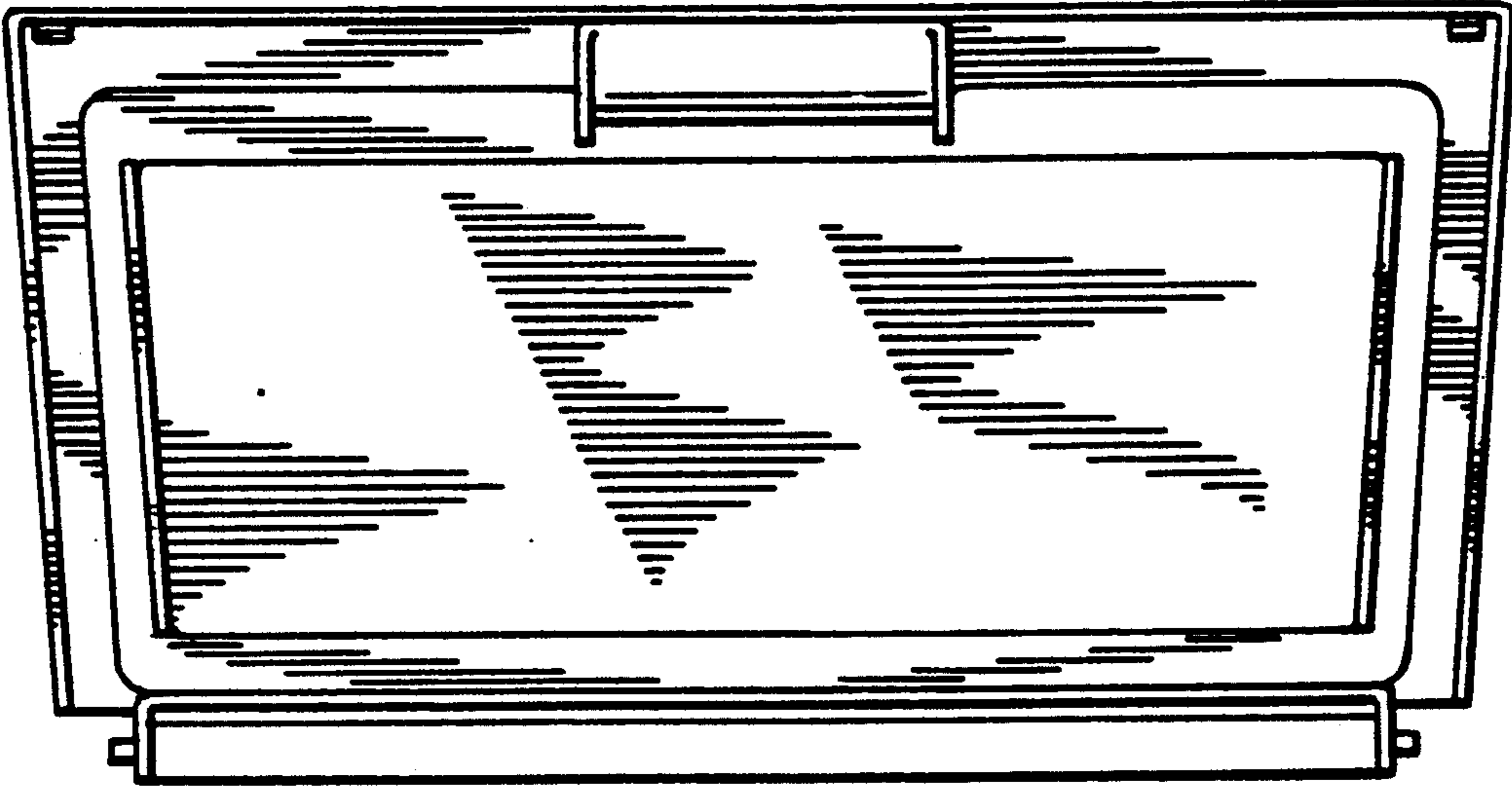


FIG. 4

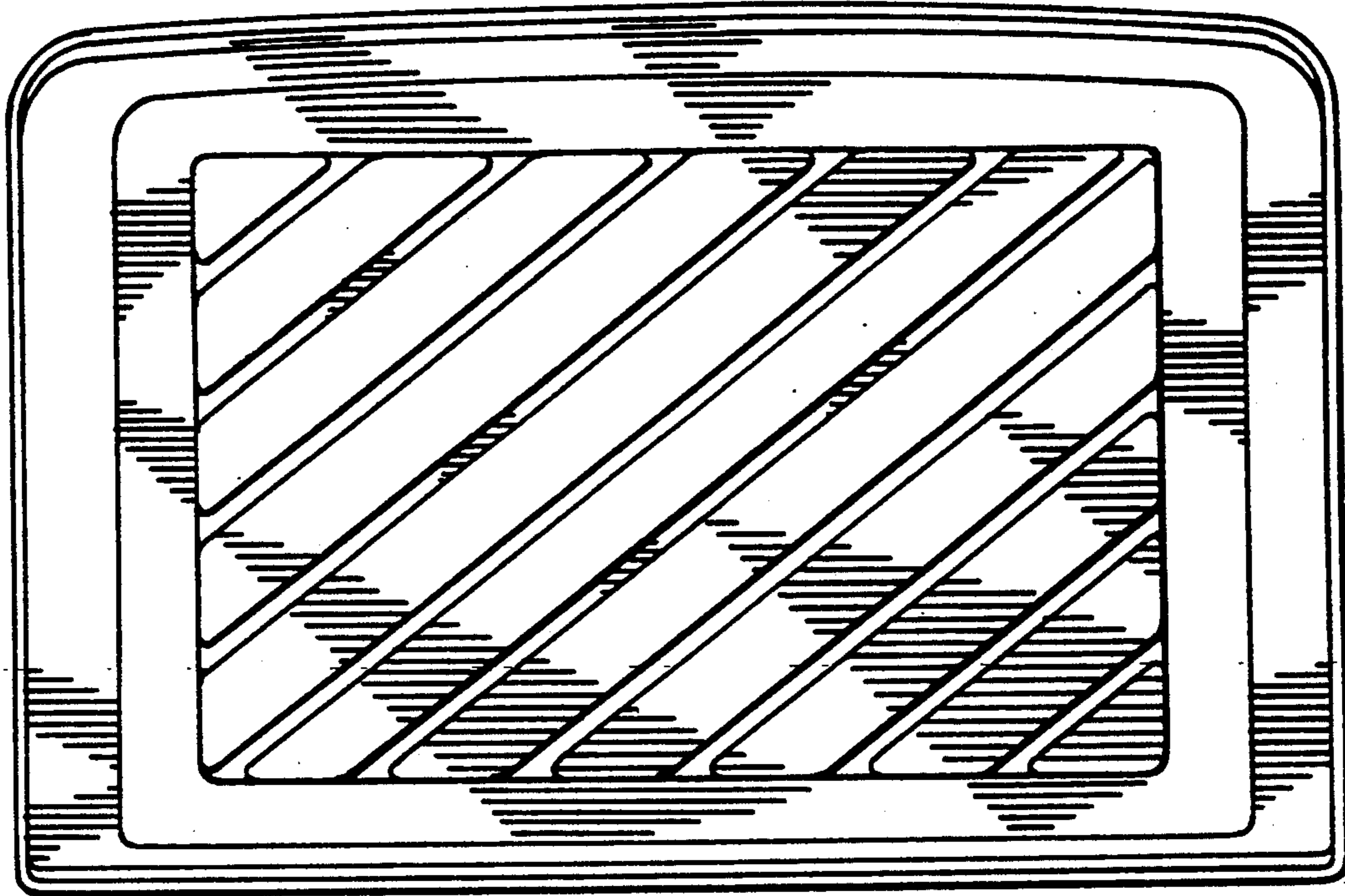


FIG. 5

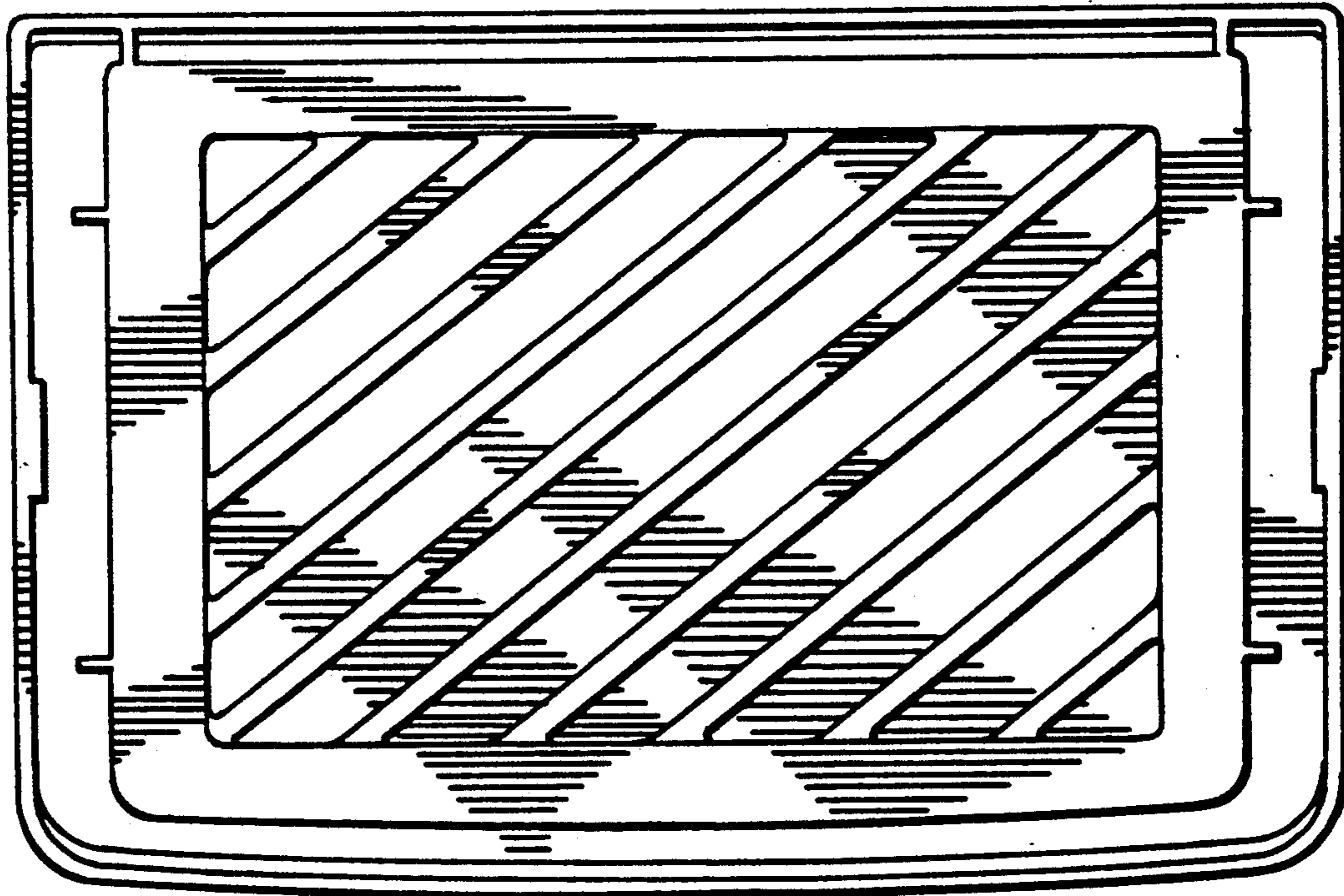


FIG. 6